

Service Manual

Colour Television

TX-25MD1P

EURO-2 Chassis

Specifications

Power Source :	220-240V AC 50Hz
Power Consumption :	135W
Aerial Impedance :	75Ω unbalanced, Coaxial Type
Receiving System :	PAL-B/G D/K, PAL-60 SECAM B/G D/K NTSC/M.NTSC
Receiving Channels :	VHF E2 – E12 VHF R1 – R2 VHF R3 – R5 VHF R6 – R12 UHF E21 – E69 CATV (S01 – S05) CATV S1 – S10 (M1 – M10) CATV S11 – S20 (U1 – U10) CATV S21 – S41 (HYPERBAND)
Intermediate Frequency :	
Video	38.9 MHz
Sound	33.4MHz 33.16MHz 32.4MHz
Colour	34.47 MHz (PAL) 34.5MHz 34.65MHz (SECAM)

Video / Audio

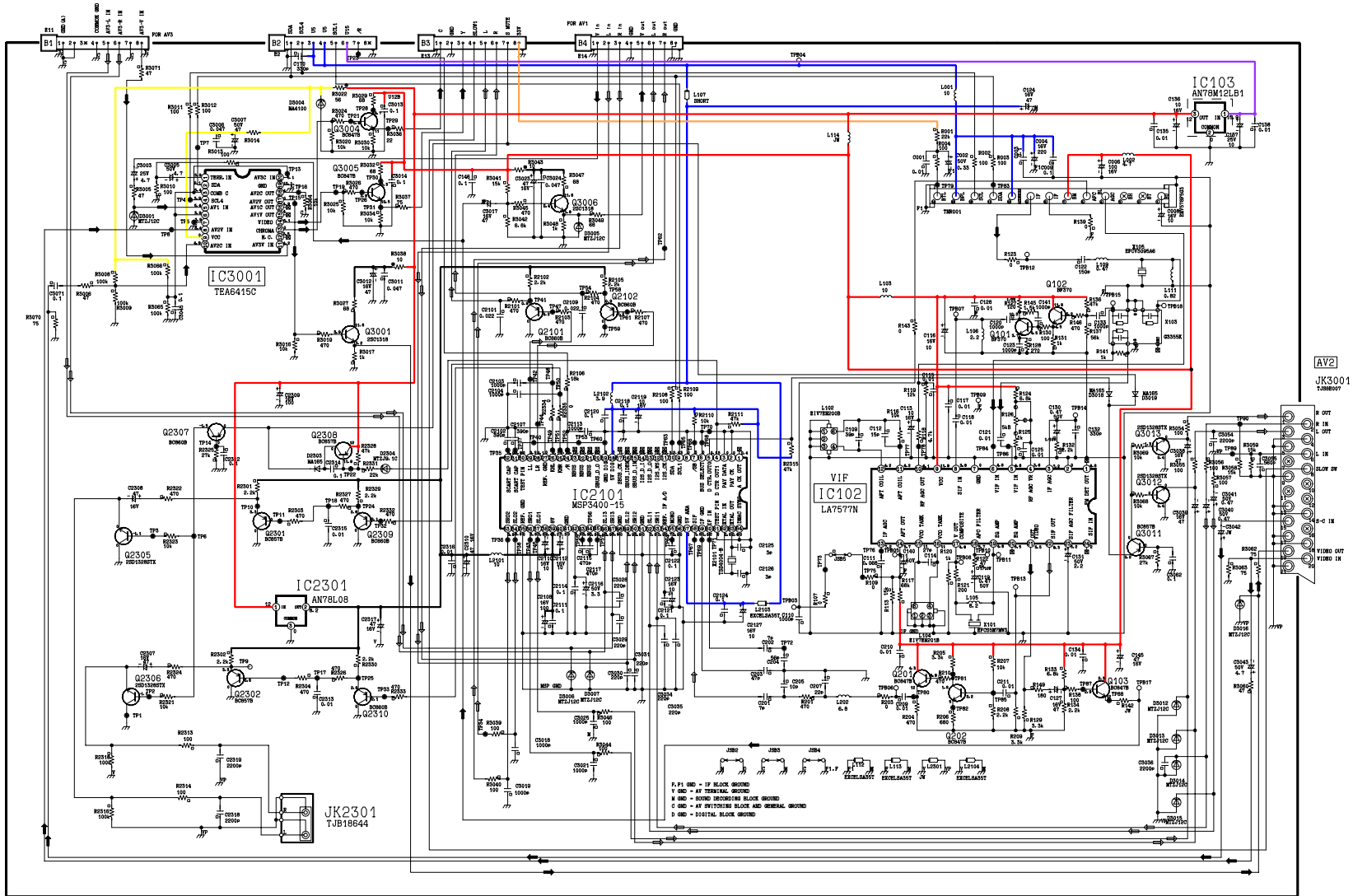
Terminals :

AUDIO MONITOR OUT	Audio(RCA x 2) 500mV rms,1 kΩ
AV1 IN	Video (21 pin) 1V p-p 75Ω Audio (21 pin) 500mV rms,10kΩ RGB (21 pin)
AV1 OUT	Video (21 pin) 1V p-p 75Ω Audio (21 pin) 500mV rms, 1kΩ
AV2 IN	Video (21 pin) 1V p-p 75Ω Audio (21 pin) 500mV rms,10 kΩ S-Video IN Y : 1V p-p 75Ω (21 pin) C : 0.3V p-p 75Ω

AV2 OUT	Video (21 pin) 1V p-p 75Ω Audio (21 pin) 500mV rms, 1kΩ
AV3 IN	Audio (RCA x 2)500mV rms,10kΩ Video (RCA x 1)1V p-p 75Ω
High Voltage :	28kV ±1kV at zero beam current
Picture Tube :	A59ECF20X12 63 cm measured diagonally.
Audio Output :	
Internal Speaker	2 x 15 W (Music Power) 8Ω Impedance
Headphones	1 x 8 Ω Impedance
Accessories supplied :	Remote Control UM3 Battery
Dimensions :	Height : 531 mm Width : 601 mm Depth : 440mm
Net Weight	25kg

Specifications are subject to change without notice.
Weight and dimensions shown are approximate.

Panasonic



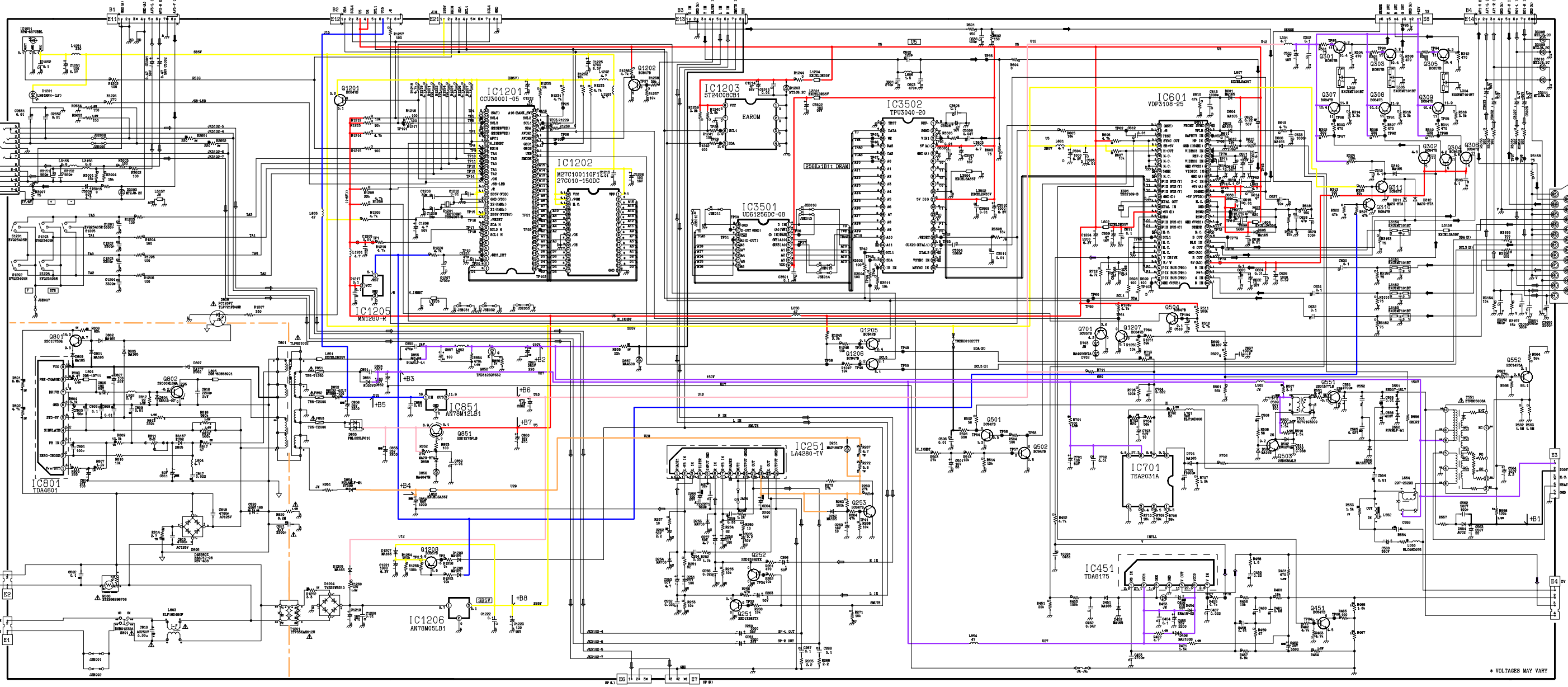
JK3102
TJB16675

AV3

JK3101
TJB88007

AV1

AC_CORD
TSXB0017 (UK)



* VOLTAGES MAY VARY

