

# 16 Watts DA16 Series

Total Power: 16 Watts  
Input Voltage: 90-264 VAC  
# of Outputs: Single



## Electrical Specs

### Input

Input range	90 - 264 VAC (wide range)
Frequency	47 - 63 Hz
Inrush current	40A @ 230 VAC, cold start @ 25C
Input current	0.18A rms @ 120 VAC; 0.36A @ 240VAC
Efficiency	75% @ full load typical, @120VAC
EMI/RFI	FCC Part 15, Subpart B Class B & EN55022 (CISPR 22) Class B, EN55013 and EN50083-2
Safety Ground leakage current	300µA max. @ 50/60 Hz, 230 VAC input

### Output

Voltage (Vo)	12.2V
Voltage regulation	± 3.5% @ constant voltage mode
Maximum Power (Po)	16W
Hold-up time	20 ms. typical at full load @ 115VAC
Overvoltage protection	Non-latching type
Overload protection	Output short circuit protection auto recover. Overload protected @ 150% above maximum rating.
Overtemperature protection	Auto recovery
Output cable/connector barrel polarity	DC cable with 2.5 mm x5.5mm barrel plug DC plug center +v DC plug outer -v

## Special Features

- Switching wallmount power supply
- Available in multiple AC plug configurations
- CE Mark EMC & LVD
- Universal AC input
- Fully regulated output
- Overload and short circuit protection
- Thermal protection
- Designed to meet Blue Angel standard
- European Code of Conduct compliance
- Constant voltage
- High efficiency
- High MTBF
- Built in EMI filter (CISPR 22 Class B)
- LED power good indicator

## Environmental

Operating temperature: 0°C to +40°C ambient

Storage temperature: -40°C to +85°C

Electromagnetic susceptibility; design to meet EN55024

Humidity: Operating; non-condensing; 5% to 95% RH

Vibration: Three orthogonal axes, sweep at 1 oct/min. 5 min. dwell at four major resonances 2G peak 8 Hz to 500 Hz, operational

MTBF demonstrated: >550,000 hours at full load and 25°C ambient conditions

## AC Plug Configuration

U.S. 2-prong	US
Europe 2-prong	EU
United Kingdom 3-prong	UK

## Safety

UL	60950 / 6500
CUL	60950
NEMKO	60950 / 60065
TUV	60950
CB	Certificate and report
CE	EMC & LVD

AMERICAS

5810 Van Allen Way  
 Carlsbad, CA 92008  
 Telephone: 760-930-4600  
 Facsimile: 760-930-0698

EUROPE

Astec House, Waterfront Business Park  
 Merry Hill, Dudley  
 West Midlands, DY5 1LX, UK  
 Telephone: 44 (1384) 842-211  
 Facsimile: 44 (1384) 843-355

ASIA

Units 2111-2116, Level 21  
 Tower1, Metroplaza  
 223, Hing Fong Road  
 Fwai Fong, New Territories  
 Hong Kong  
 Telephone: 852-2437-9662  
 Facsimile: 852-2402-4426

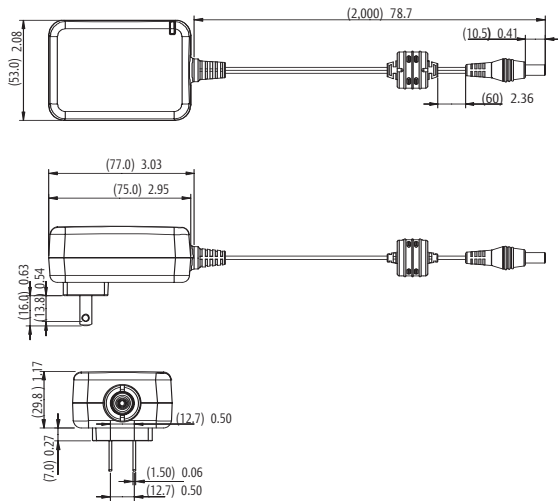


Ordering Information

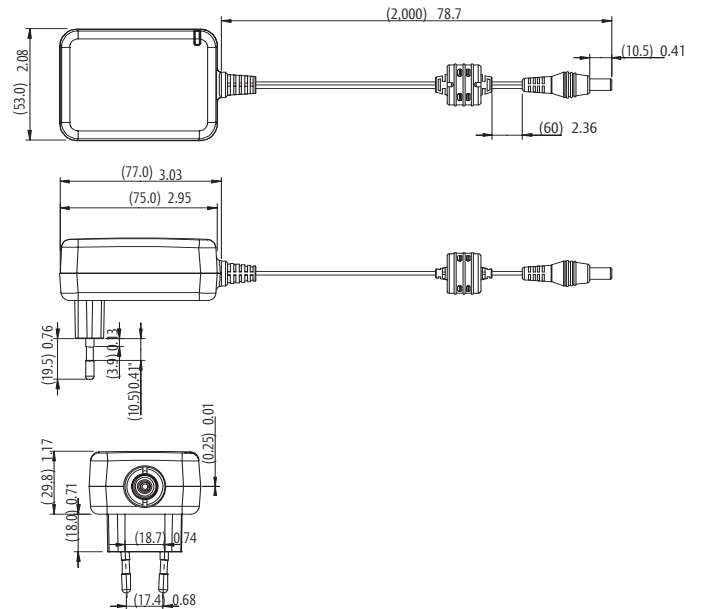
Model Number	Maximum Power	Output Voltage	Minimum Load	Maximum Load	Peak Load <sup>1</sup>	Regulation <sup>2</sup>	Ripple P/P (PARD) <sup>3</sup>
DA16-120US	16W	12.2V	0.2A	1.33A	1.5A	± 2%	120mV
DA16-120EU	16W	12.2V	0.2A	1.33A	1.5A	± 2%	120mV
DA16-120UK	16W	12.2V	0.2A	1.33A	1.5A	± 2%	120mV

1. Peak current lasting <30 seconds with a maximum 10% duty cycle.
2. At 25°C including initial tolerance, line voltage, load currents and output voltages adjusted to factory settings.
3. Peak-to-peak with 20 MHz bandwidth and 10 μF in parallel with a 0.1 μF capacitor at rated line voltage and load ranges.
4. Minimum loads are required.

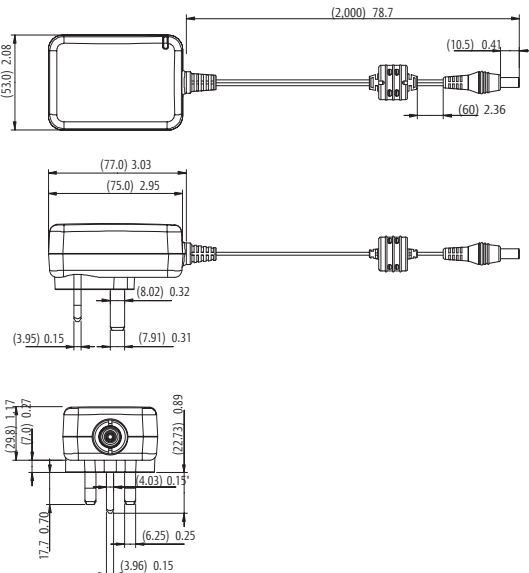
DA16-XXX-US



DA16-XXX-EU



DA16-XXX-UK



NOTES:

1. Specifications subject to change without notice.
2. All dimensions in inches (mm), tolerance is ± .02"
3. Warranty: 1 year
4. Weight: 0.325 lb. / 0.148 kg.