

# FSCM0765R

## Green Mode Fairchild Power Switch (FPS™)

### Features

- Internal Avalanche Rugged Sense FET
- Low startup current (max 40uA)
- Low power consumption under 1 W at 240VAC & 0.4W load
- Precise Fixed Operating Frequency (66kHz)
- Frequency Modulation for low EMI
- Pulse by Pulse Current Limiting (Adjustable)
- Over Voltage Protection (OVP)
- Over Load Protection (OLP)
- Thermal Shutdown Function (TSD)
- Auto-Restart Mode
- Under Voltage Lock Out (UVLO) with hysteresis
- Built-in Soft Start (15ms)

### Application

- SMPS for VCR, SVR, STB, DVD & DVCD
- Adaptor
- SMPS for LCD Monitor

### Description

The FSCM0765R is an integrated Pulse Width Modulator (PWM) and Sense FET specifically designed for high performance offline Switch Mode Power Supplies (SMPS) with minimal external components. This device is an integrated high voltage power switching regulator which combine an avalanche rugged Sense FET with a current mode PWM control block. The PWM controller includes integrated fixed frequency oscillator, under voltage lockout, leading edge blanking (LEB), optimized gate driver, internal soft start, temperature compensated precise current sources for a loop compensation and self protection circuitry. Compared with discrete MOSFET and PWM controller solution, it can reduce total cost, component count, size and weight simultaneously increasing efficiency, productivity, and system reliability. This device is a basic platform well suited for cost effective designs of flyback converters.

Table 1. Maximum Output Power

| OUTPUT POWER TABLE |                            |                           |                         |                           |
|--------------------|----------------------------|---------------------------|-------------------------|---------------------------|
| PRODUCT            | 230VAC ±15% <sup>(3)</sup> |                           | 85-265VAC               |                           |
|                    | Adapt-er <sup>(1)</sup>    | Open Frame <sup>(2)</sup> | Adapt-er <sup>(1)</sup> | Open Frame <sup>(2)</sup> |
| FSCM0565RD         | 50W                        | 65W                       | 40W                     | 50W                       |
| FSCM0765RD         | 65W                        | 70W                       | 50W                     | 60W                       |
| FSCM0565RC         | 70W                        | 85W                       | 60W                     | 70W                       |
| FSCM0765RC         | 85W                        | 95W                       | 70W                     | 85W                       |

#### Notes:

1. Typical continuous power in a non-ventilated enclosed adaptor measured at 50°C ambient.
2. Maximum practical continuous power in an open frame design at 50°C ambient.
3. 230 VAC or 100/115 VAC with doubler.

### Typical Circuit

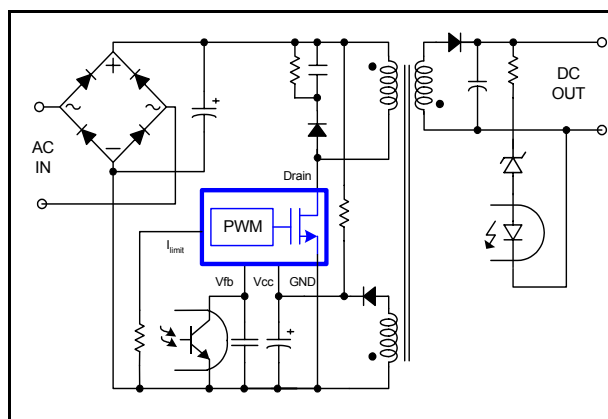


Figure 1. Typical Flyback Application

## Internal Block Diagram

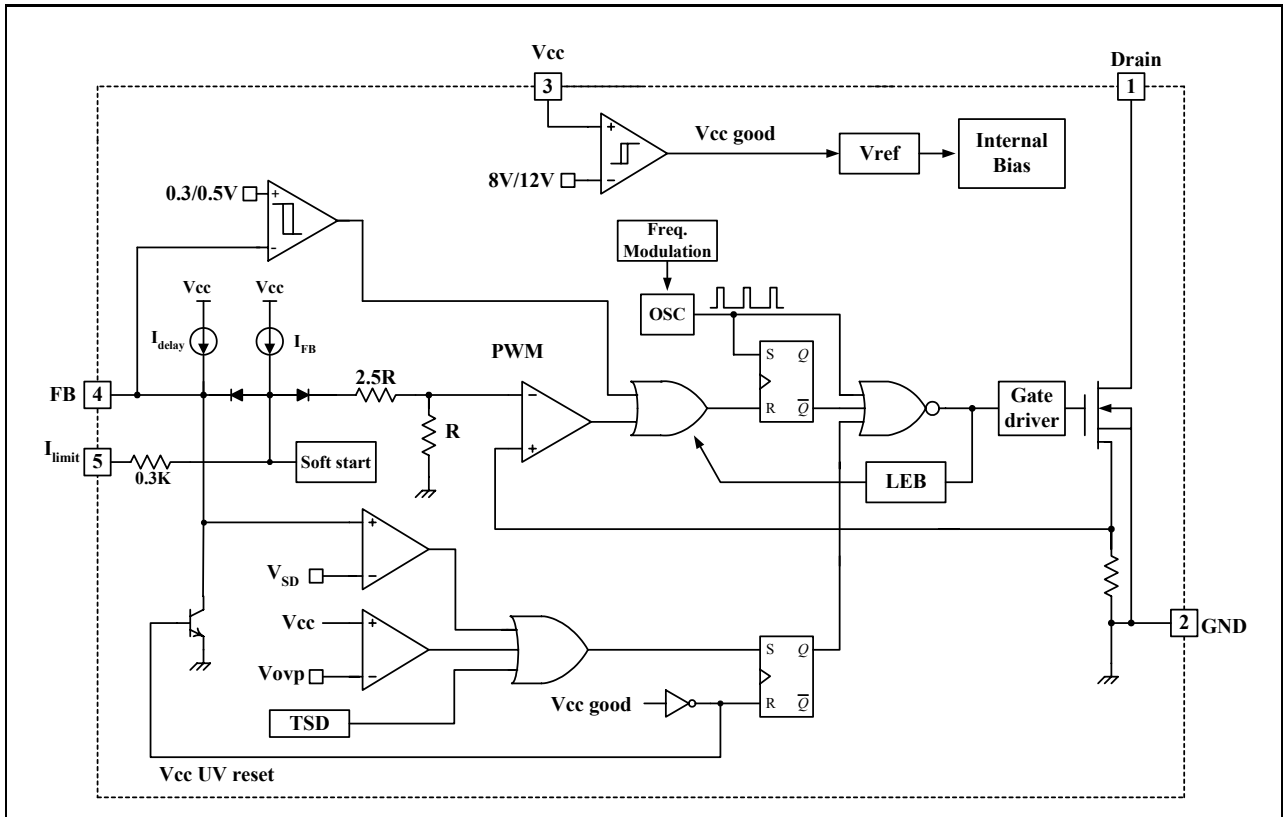


Figure 2. Functional Block Diagram of FSCM0765R

## Pin Definitions

| Pin Number | Pin Name      | Pin Function Description  |
|------------|---------------|---|
| 1          | Drain         | This pin is the high voltage power SenseFET drain. It is designed to drive the transformer directly.  |
| 2          | GND           | This pin is the control ground and the SenseFET source.   |
| 3          | Vcc           | This pin is the positive supply voltage input. Initially, During start up, the power is supplied through the startup resistor from DC link. When Vcc reaches 12V, the power is supplied from auxiliary transformer winding.   |
| 4          | Feedback (FB) | This pin is internally connected to the inverting input of the PWM comparator. The collector of an optocoupler is typically tied to this pin. For stable operation, a capacitor should be placed between this pin and GND. If the voltage of this pin reaches 6.0V, the over load protection is activated resulting in shutdown of the FPS. |
| 5          | I_limit       | This pin is for the pulse by pulse current limit level programming. By using a resistor to GND on this pin, the current limit level can be changed. If this pin is left floating, the typical current limit will be 3.0A.   |

## Pin Configuration

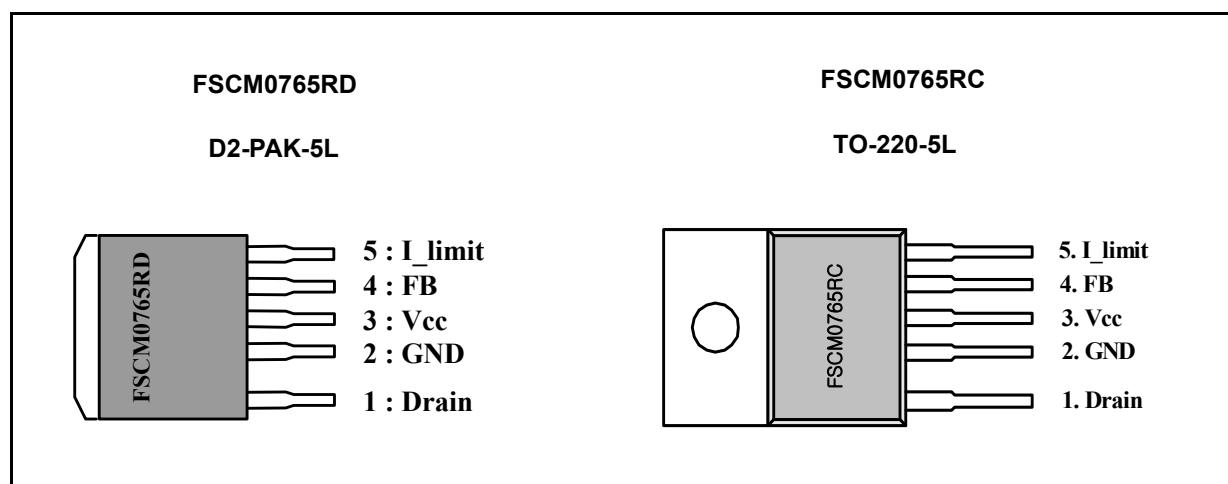


Figure 3. Pin Configuration (Top View)

## Absolute Maximum Ratings

(Ta=25°C, unless otherwise specified)

| Parameter  | Symbol           | Value                   | Unit |
|--|------------------|-------------------------|------|
| Drain-Source (GND) Voltage <sup>(1)</sup>        | V <sub>DSS</sub> | 650                     | V    |
| Drain-Gate Voltage (R <sub>GS</sub> =1MΩ)        | V <sub>DGR</sub> | 650                     | V    |
| Gate-Source (GND) Voltage                        | V <sub>GS</sub>  | ±30                     | V    |
| Drain Current Pulsed <sup>(2)</sup>              | I <sub>DM</sub>  | 28                      | ADC  |
| Single Pulsed Avalanche Energy <sup>(3)</sup>    | E <sub>AS</sub>  | 370                     | mJ   |
| Avalanch Current <sup>(4)</sup>                  | I <sub>AS</sub>  | 35                      | A    |
| Continuous Drain Current (T <sub>c</sub> = 25°C) | I <sub>D</sub>   | 7                       | ADC  |
| Continuous Drain Current (T <sub>C</sub> =100°C) | I <sub>D</sub>   | 4.5                     | ADC  |
| Supply Voltage                                   | V <sub>CC</sub>  | 20                      | V    |
| Analog Input Voltage Range                       | V <sub>FB</sub>  | -0.3 to V <sub>CC</sub> | V    |
| Total Power Dissipation (D2-PAK)                 | P <sub>D</sub>   | 83                      | W    |
|  | Derating         | 0.018                   | W/°C |
| Total Power Dissipation (TO-220)                 | P <sub>D</sub>   | 145                     | W    |
|  | Derating         | 1.163                   | W/°C |
| Operating Junction Temperature                   | T <sub>J</sub>   | Internally limited      | °C   |
| Operating Ambient Temperature                    | T <sub>A</sub>   | -25 to +85              | °C   |
| Storage Temperature Range                        | T <sub>STG</sub> | -55 to +150             | °C   |

### Notes:

1. T<sub>j</sub> = 25°C to 150°C
2. Repetitive rating: Pulse width limited by maximum junction temperature
3. L = 30mH, V<sub>DD</sub> = 50V, R<sub>G</sub> = 25Ω, starting T<sub>j</sub> = 25°C
4. L = 13uH, starting T<sub>j</sub> = 25°C

## Electrical Characteristics

(Ta = 25°C unless otherwise specified)

| Parameter                         | Symbol  | Condition   | Min. | Typ. | Max. | Unit |
|-----------------------------------|---------|---|------|------|------|------|
| <b>Sense FET SECTION</b>          |         |   |      |      |      |      |
| Drain source breakdown voltage    | BVDSS   | VGS = 0V, ID = 250μA  | 650  | -    | -    | V    |
| Zero gate voltage drain current   | IDSS    | VDS = Max, Rating<br>VGS = 0V   | -    | -    | 500  | μA   |
| Static drain source on resistance | RDS(ON) | VGS = 10V, ID = 2.3A  | -    | 1.4  | 1.6  | Ω    |
| Output capacitance                | COSS    | VGS = 0V, VDS = 25V,<br>f = 1MHz  | -    | 100  | -    | pF   |
| Turn on delay time                | TD(ON)  | VDD= 325V, ID= 5A<br>(MOSFET switching<br>time is essentially<br>independent of<br>operating temperature) | -    | 25   | -    | ns   |
| Rise time                         | TR      |   | -    | 60   | -    |      |
| Turn off delay time               | TD(OFF) |   | -    | 115  | -    |      |
| Fall time                         | TF      |   | -    | 65   | -    |      |
| <b>CONTROL SECTION</b>            |         |   |      |      |      |      |
| Initial frequency                 | FOSC    | VCC=14V, VFB=4V   | 60   | 66   | 72   | kHz  |
| Modulated frequency range         | ΔFmod   | -   | -    | ±3   | -    | kHz  |
| Frequency modulation cycle        | Tmod    | -   | -    | 4    | -    | ms   |
| Voltage stability                 | FSTABLE | 10V≤VCC≤17V   | 0    | 1    | 3    | %    |
| Temperature stability             | ΔFOSC   | -25°C≤Ta≤+85°C  | -    | ±5   | ±10  | %    |
| Maximum duty cycle                | DMAX    | -   | 75   | 80   | 85   | %    |
| Minimum duty cycle                | DMIN    | -   | -    | -    | 0    | %    |
| Start threshold voltage           | VSTART  | VFB=GND   | 11   | 12   | 13   | V    |
| Stop threshold voltage            | VSTOP   | VFB=GND   | 7    | 8    | 9    | V    |
| Feedback source current           | IFB     | VFB=GND   | 0.7  | 0.9  | 1.1  | mA   |
| Soft-start time                   | TSS     | -   | 10   | 15   | 20   | ms   |
| Leading Edge Blanking time        | TLEB    | -   | -    | 300  | -    | ns   |
| <b>BURST MODE SECTION</b>         |         |   |      |      |      |      |
| Burst Mode Voltages               | VBH     | Vcc=14V   | 0.4  | 0.5  | 0.6  | V    |
|                                   | VBL     | Vcc=14V   | 0.24 | 0.3  | 0.36 | V    |

| PROTECTION SECTION           |                      |  |      |     |      |    |
|------------------------------|----------------------|--|------|-----|------|----|
| Peak current limit           | I <sub>LIM</sub>     | V <sub>CC</sub> =14V, V <sub>FB</sub> =4V  | 2.64 | 3   | 3.36 | A  |
| Over voltage protection      | V <sub>OVP</sub>     | -  | 18   | 19  | 20   | V  |
| Thermal shutdown temperature | T <sub>SD</sub>      |  | 130  | 145 | 160  | °C |
| Shutdown delay current       | I <sub>DELAY</sub>   | V <sub>FB</sub> =5V                        | 3.5  | 5.3 | 7    | μA |
| Shutdown feedback voltage    | V <sub>SD</sub>      | V <sub>FB</sub> ≥5.5V                      | 5.5  | 6   | 6.5  | V  |
| TOTAL DEVICE SECTION         |                      |  |      |     |      |    |
| Startup current              | I <sub>start</sub>   |  | -    | 20  | 40   | μA |
| Operating supply current     | I <sub>OP</sub>      | V <sub>FB</sub> =GND, V <sub>CC</sub> =17V | -    | 2.5 | 5    | mA |
|                              | I <sub>OP(MIN)</sub> | -  |      |     |      |    |
|                              | I <sub>OP(MAX)</sub> | -  |      |     |      |    |

**Notes:**

1. Pulse test : Pulse width  $\leq 300\mu\text{s}$ , duty  $\leq 2\%$
2. These parameters, although guaranteed at the design, are not tested in mass production.
3. These parameters, although guaranteed, are tested in EDS (wafer test) process.
4. These parameters indicate the inductor current.
5. This parameter is the current flowing into the control IC.

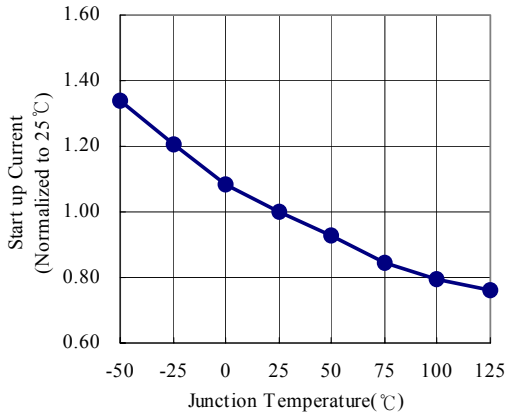
---

**Comparison Between FSDM07652R and FSCM0765R**

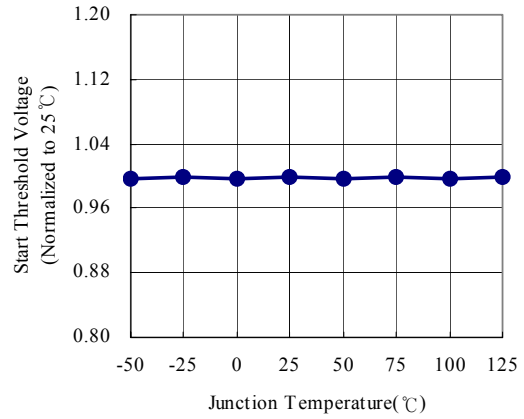
| Function                     | FSDM07652R  | FSCM0765R  |
|------------------------------|---|--|
| Frequency modulation         | N.A.  | Available <ul style="list-style-type: none"><li>• Modulated frequency range (<math>DF_{mod}</math>) = <math>\pm 3\text{kHz}</math></li><li>• Frequency modulation cycle (<math>T_{mod}</math>) = 4ms</li></ul> |
| Pulse-by-pulse current limit | <ul style="list-style-type: none"><li>• Internally fixed (2.5A)</li></ul> | <ul style="list-style-type: none"><li>• Programmable using external resistor (3.0A max)</li></ul>  |
| Internal Startup Circuit     | <ul style="list-style-type: none"><li>• Available</li></ul>               | <ul style="list-style-type: none"><li>• N.A. (Requires startup resistor)</li><li>• Startup current : 40uA (max)</li></ul>  |

## Typical Performance Characteristics

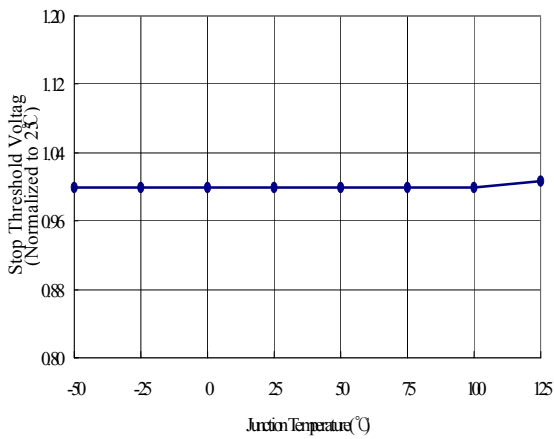
(These Characteristic Graphs are Normalized at Ta= 25°C)



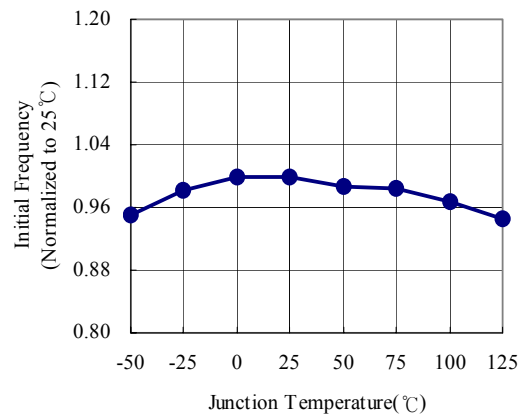
Startup Current vs. Temp



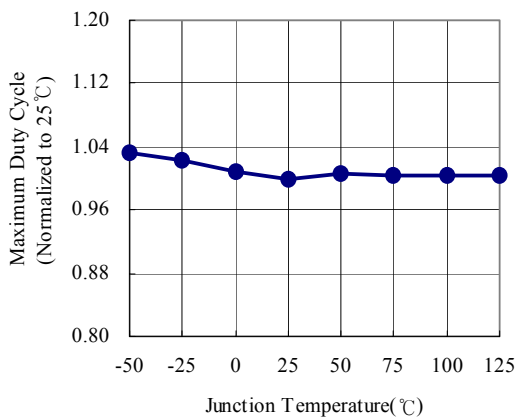
Start Threshold Voltage vs. Temp



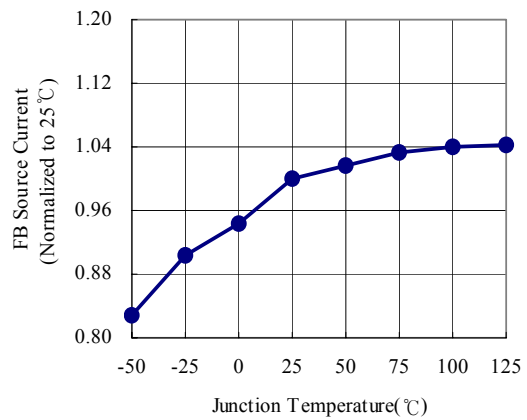
Stop Threshold Voltage vs. Temp



Initial Frequency vs. Temp



Maximum Duty Cycle vs. Temp

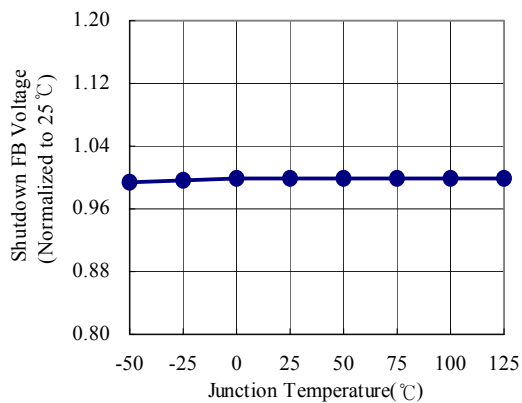


Feedback Source Current vs. Temp

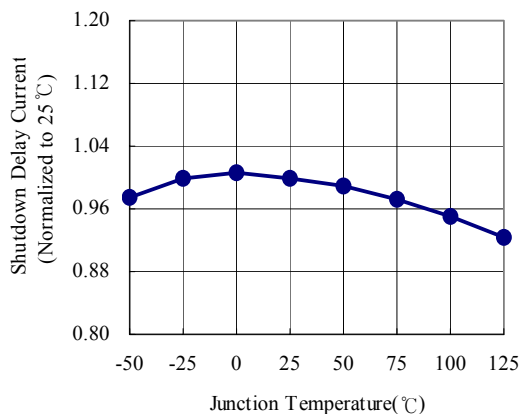


## Typical Performance Characteristics (Continued)

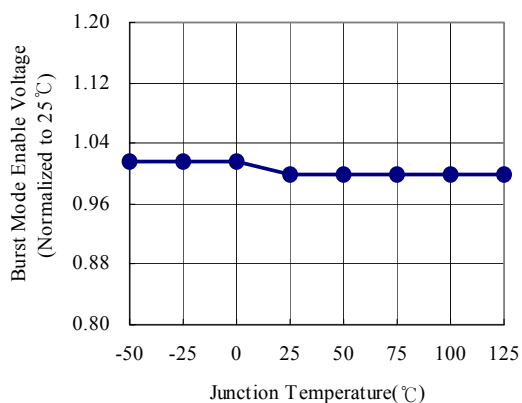
(These Characteristic Graphs are Normalized at Ta= 25°C)



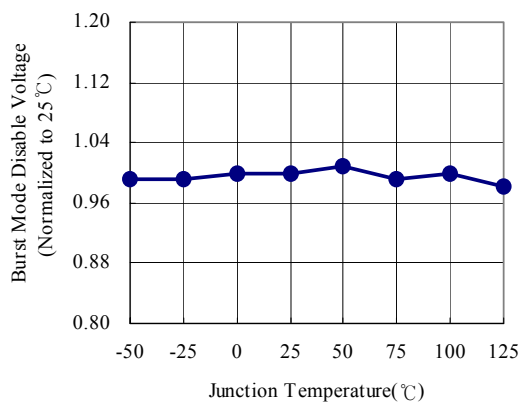
ShutDown Feedback Voltage vs. Temp



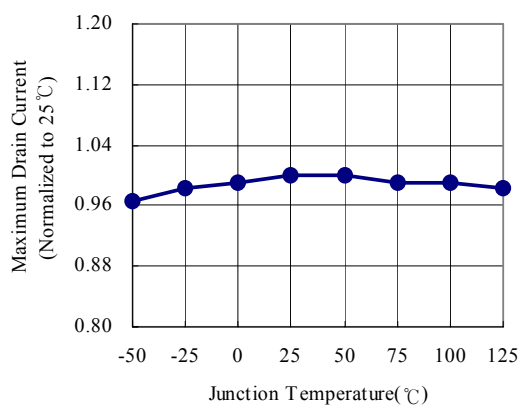
ShutDown Delay Current vs. Temp



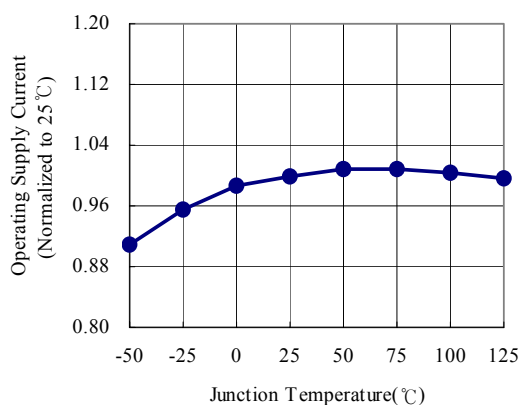
Bust Mode Enable Voltage vs. Temp



Burst Mode Disable Voltage vs. Temp



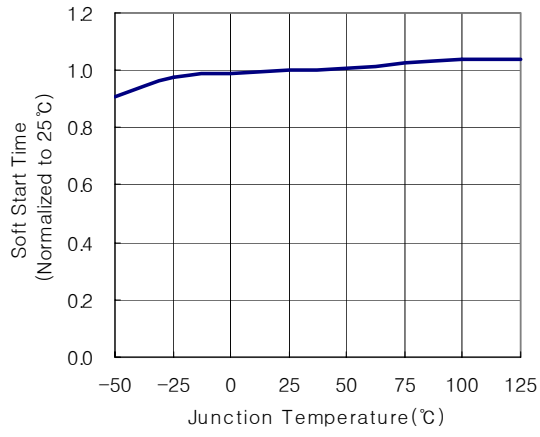
Mavimum Drain Current vs. Temp



Operating Supply Current vs. Temp

## Typical Performance Characteristics (Continued)

(These Characteristic Graphs are Normalized at Ta= 25°C)



**Soft Start Time vs. Temp**

## Functional Description

**1. Startup** : Figure 4 shows the typical startup circuit and transformer auxiliary winding for FSCM0765R application. Before FSCM0765R begins switching, FSCM0765R consumes only startup current (typically 25uA) and the current supplied from the DC link supply current consumed by FPS ( $I_{cc}$ ) and charges the external capacitor ( $C_a$ ) that is connected to the Vcc pin. When Vcc reaches start voltage of 12V ( $V_{START}$ ), FSCM0765R begins switching, and the current consumed by FSCM0765R increases to 3mA. Then, FSCM0765R continues its normal switching operation and the power required for this device is supplied from the transformer auxiliary winding, unless Vcc drops below the stop voltage of 8V ( $V_{STOP}$ ). To guarantee the stable operation of the control IC, Vcc has under voltage lockout (UVLO) with 4V hysteresis. Figure 5 shows the relation between the current consumed by FPS ( $I_{cc}$ ) and the supply voltage (Vcc).

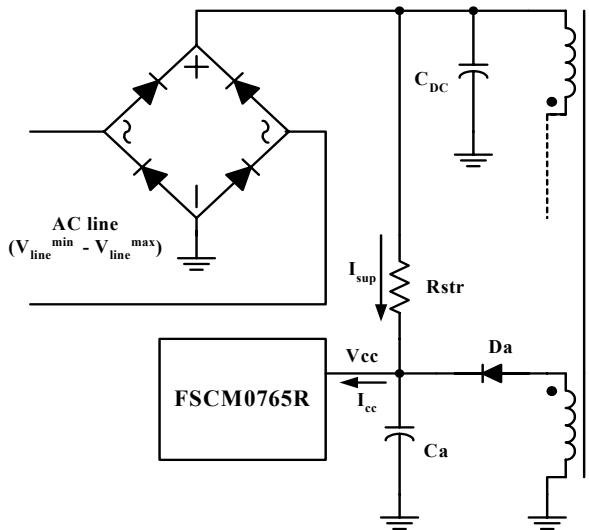


Figure 4. Startup circuit

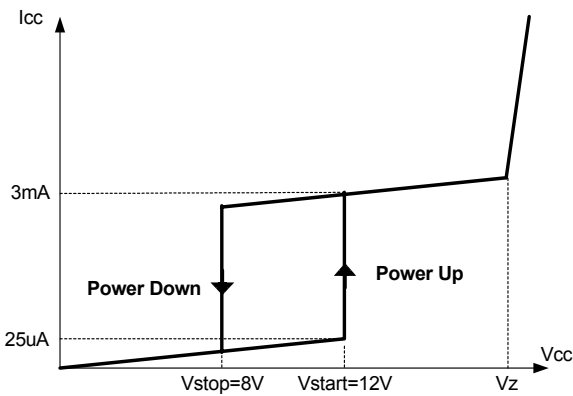


Figure 5. Relation between operating supply current and Vcc voltage

The minimum current supplied through the startup resistor is given by

$$I_{sup}^{min} = (\sqrt{2} \cdot V_{line}^{min} - V_{start}) \cdot \frac{1}{R_{str}}$$

where  $V_{line}^{min}$  is the minimum input voltage,  $V_{start}$  is the start voltage (12V) and  $R_{str}$  is the startup resistor. The startup resistor should be chosen so that  $I_{sup}^{min}$  is larger than the maximum startup current (40uA). If not, Vcc can not be charged to the start voltage and FPS will fail to start up.

**2. Feedback Control** : FSCM0765R employs current mode control, as shown in Figure 6. An opto-coupler (such as the H11A817A) and shunt regulator (such as the KA431) are typically used to implement the feedback network. Comparing the feedback voltage with the voltage across the Rsense resistor makes it possible to control the switching duty cycle. When the reference pin voltage of the KA431 exceeds the internal reference voltage of 2.5V, the H11A817A LED current increases, thus pulling down the feedback voltage and reducing the duty cycle. This event typically happens when the input voltage is increased or the output load is decreased.

**2.1 Pulse-by-pulse current limit:** Because current mode control is employed, the peak current through the Sense FET is determined by the inverting input of PWM comparator ( $V_{fb}^*$ ) as shown in Figure 6. When the current through the opto transistor is zero and the current limit pin (#5) is left floating, the feedback current source ( $I_{fb}$ ) of 0.9mA flows only through the internal resistor ( $R+2.5R=2.8k$ ). In this case, the cathode voltage of diode D2 and the peak drain current have maximum values of 2.5V and 3A, respectively. The pulse-by-pulse current limit can be adjusted using a resistor to GND on current limit pin (#5). The current limit level using an external resistor ( $R_{LIM}$ ) is given by

$$I_{LIM} = \frac{R_{LIM} \cdot 3A}{2.8k\Omega + R_{LIM}}$$

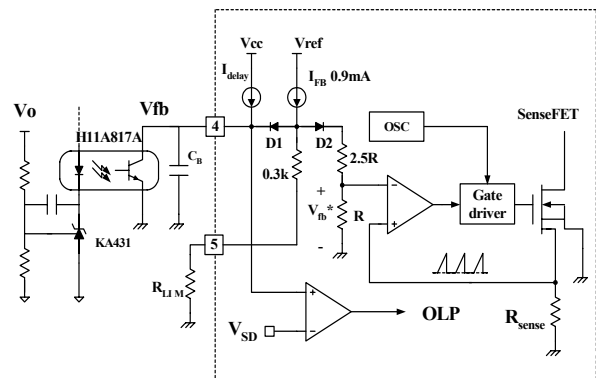


Figure 6. Pulse width modulation (PWM) circuit

**2.2 Leading edge blanking (LEB) :** At the instant the internal Sense FET is turned on, there usually exists a high current spike through the Sense FET, caused by primary-side capacitance and secondary-side rectifier reverse recovery. Excessive voltage across the Rsense resistor would lead to incorrect feedback operation in the current mode PWM control. To counter this effect, the FSCM0765R employs a leading edge blanking (LEB) circuit. This circuit inhibits the PWM comparator for a short time ( $T_{LEB}$ ) after the Sense FET is turned on.

**3. Protection Circuit :** The FSCM0765R has several self protective functions such as over load protection (OLP), over voltage protection (OVP) and thermal shutdown (TSD). Because these protection circuits are fully integrated into the IC without external components, the reliability can be improved without increasing cost. Once the fault condition occurs, switching is terminated and the Sense FET remains off. This causes Vcc to fall. When Vcc reaches the UVLO stop voltage of 8V, the current consumed by FSCM0765R reduces to the startup current (typically 25uA) and the current supplied from the DC link charges the external capacitor ( $C_a$ ) that is connected to the Vcc pin. When Vcc reaches the start voltage of 12V, FSCM0765R resumes its normal operation. In this manner, the auto-restart can alternately enable and disable the switching of the power Sense FET until the fault condition is eliminated (see Figure 7).

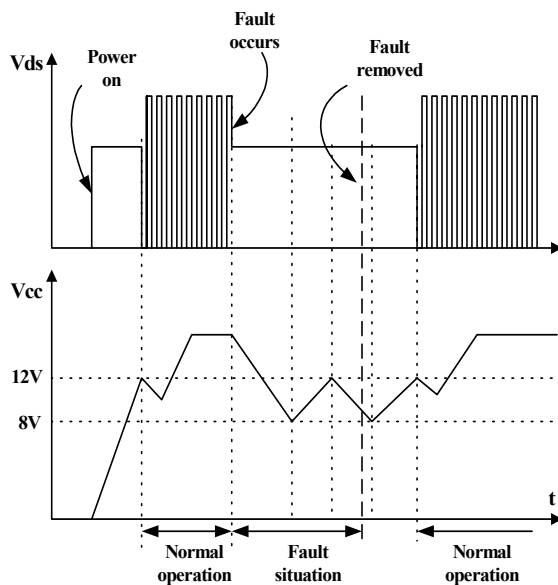


Figure 7. Auto restart operation

**3.1 Over Load Protection (OLP) :** Overload is defined as the load current exceeding a pre-set level due to an unexpected event. In this situation, the protection circuit should be activated in order to protect the SMPS. However,

even when the SMPS is in the normal operation, the over load protection circuit can be activated during the load transition. In order to avoid this undesired operation, the over load protection circuit is designed to be activated after a specified time to determine whether it is a transient situation or an overload situation. Because of the pulse-by-pulse current limit capability, the maximum peak current through the Sense FET is limited, and therefore the maximum input power is restricted with a given input voltage. If the output consumes beyond this maximum power, the output voltage ( $V_o$ ) decreases below the set voltage. This reduces the current through the opto-coupler LED, which also reduces the opto-coupler transistor current, thus increasing the feedback voltage ( $V_{fb}$ ). If  $V_{fb}$  exceeds 2.5V, D1 is blocked and the 5.3uA current source ( $I_{delay}$ ) starts to charge  $C_B$  slowly up to  $V_{cc}$ . In this condition,  $V_{fb}$  continues increasing until it reaches 6V, when the switching operation is terminated as shown in Figure 8. The delay time for shutdown is the time required to charge  $C_B$  from 2.5V to 6.0V with 5.3uA ( $I_{delay}$ ). In general, a 10 ~ 50 ms delay time is typical for most applications.

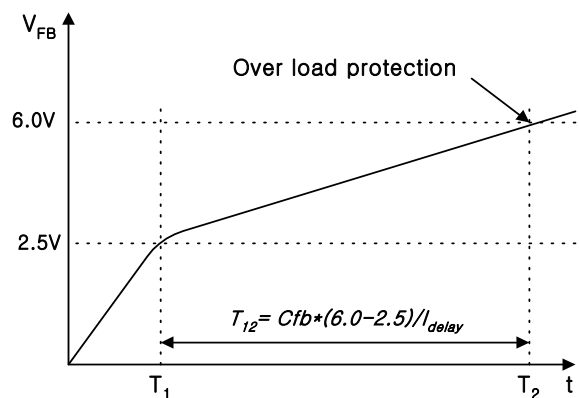


Figure 8. Over load protection

**3.2 Over voltage Protection (OVP) :** If the secondary side feedback circuit were to malfunction or a solder defect caused an open in the feedback path, the current through the opto-coupler transistor becomes almost zero. Then,  $V_{fb}$  climbs up in a similar manner to the over load situation, forcing the preset maximum current to be supplied to the SMPS until the over load protection is activated. Because more energy than required is provided to the output, the output voltage may exceed the rated voltage before the over load protection is activated, resulting in the breakdown of the devices in the secondary side. In order to prevent this situation, an over voltage protection (OVP) circuit is employed. In general,  $V_{cc}$  is proportional to the output voltage and the FSCM0765R uses  $V_{cc}$  instead of directly monitoring the output voltage. If  $V_{CC}$  exceeds 19V, an OVP circuit is activated resulting in the termination of the switching operation. In order to avoid undesired activation of OVP during normal operation,  $V_{cc}$  should be designed to be below 19V.

**3.3 Thermal Shutdown (TSD) :** The Sense FET and the control IC are built in one package. This makes it easy for the control IC to detect the heat generation from the Sense FET. When the temperature exceeds approximately 145°C, the thermal protection is triggered resulting in shutdown of FPS.

**4. Frequency Modulation :** EMI reduction can be accomplished by modulating the switching frequency of a switched power supply. Frequency modulation can reduce EMI by spreading the energy over a wider frequency range than the band width measured by the EMI test equipment. The amount of EMI reduction is directly related to the depth of the reference frequency. As can be seen in Figure 9, the frequency changes from 63KHz to 69KHz in 4ms.

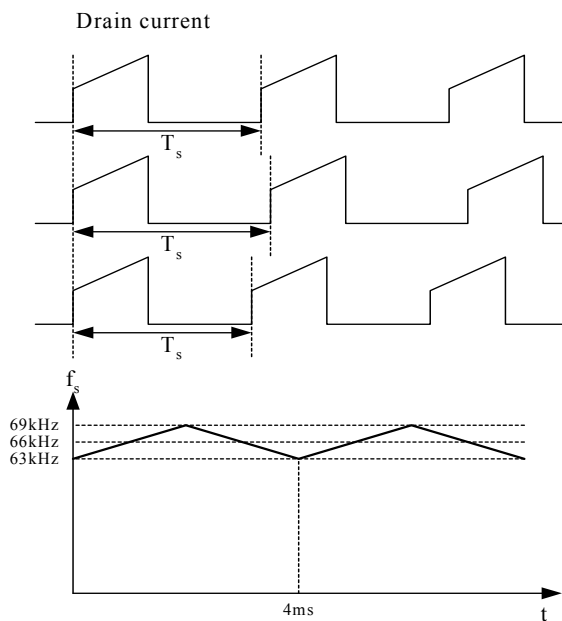


Figure 9. Frequency Modulation

**5. Soft Start :** The FSCM0765R has an internal soft start circuit that increases PWM comparator inverting input voltage together with the Sense FET current slowly after it starts up. The typical soft start time is 15msec, The pulse width to the power switching device is progressively increased to establish the correct working conditions for transformers, rectifier diodes and capacitors. The voltage on the output capacitors is progressively increased with the intention of smoothly establishing the required output voltage. It also helps to prevent transformer saturation and reduce the stress on the secondary diode during startup.

**6. Burst operation :** In order to minimize power dissipation in standby mode, the FSCM0765R enters into burst mode operation at light load condition. As the load decreases, the feedback voltage decreases. As shown in Figure 10, the

device automatically enters into burst mode when the feedback voltage drops below  $V_{BL}$  (300mV). At this point switching stops and the output voltages start to drop at a rate dependent on standby current load. This causes the feedback voltage to rise. Once it passes  $V_{BH}$  (500mV) switching resumes. The feedback voltage then falls and the process repeats. Burst mode operation alternately enables and disables switching of the power Sense FET thereby reducing switching loss in standby mode.

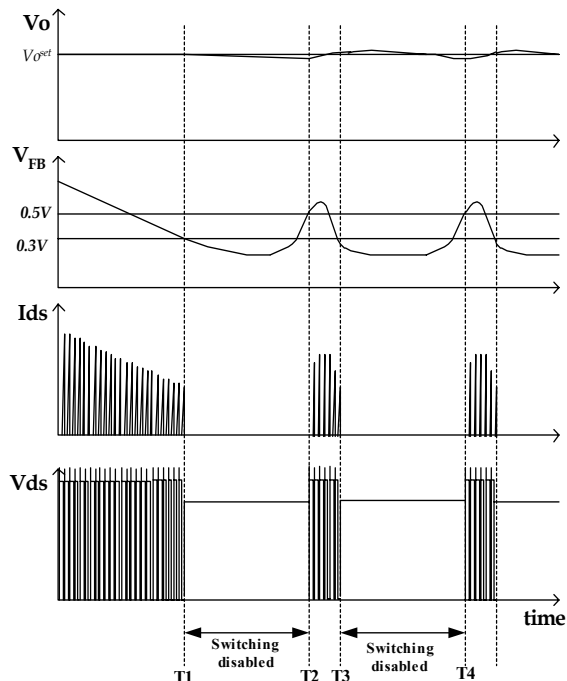


Figure 10. Waveforms of burst operation

## Typical application circuit

| Application | Output power | Input voltage                  | Output voltage (Max current) |
|-------------|--------------|--------------------------------|------------------------------|
| LCD Monitor | 40W          | Universal input<br>(85-265Vac) | 5V (2.0A)<br>12V (2.5A)      |

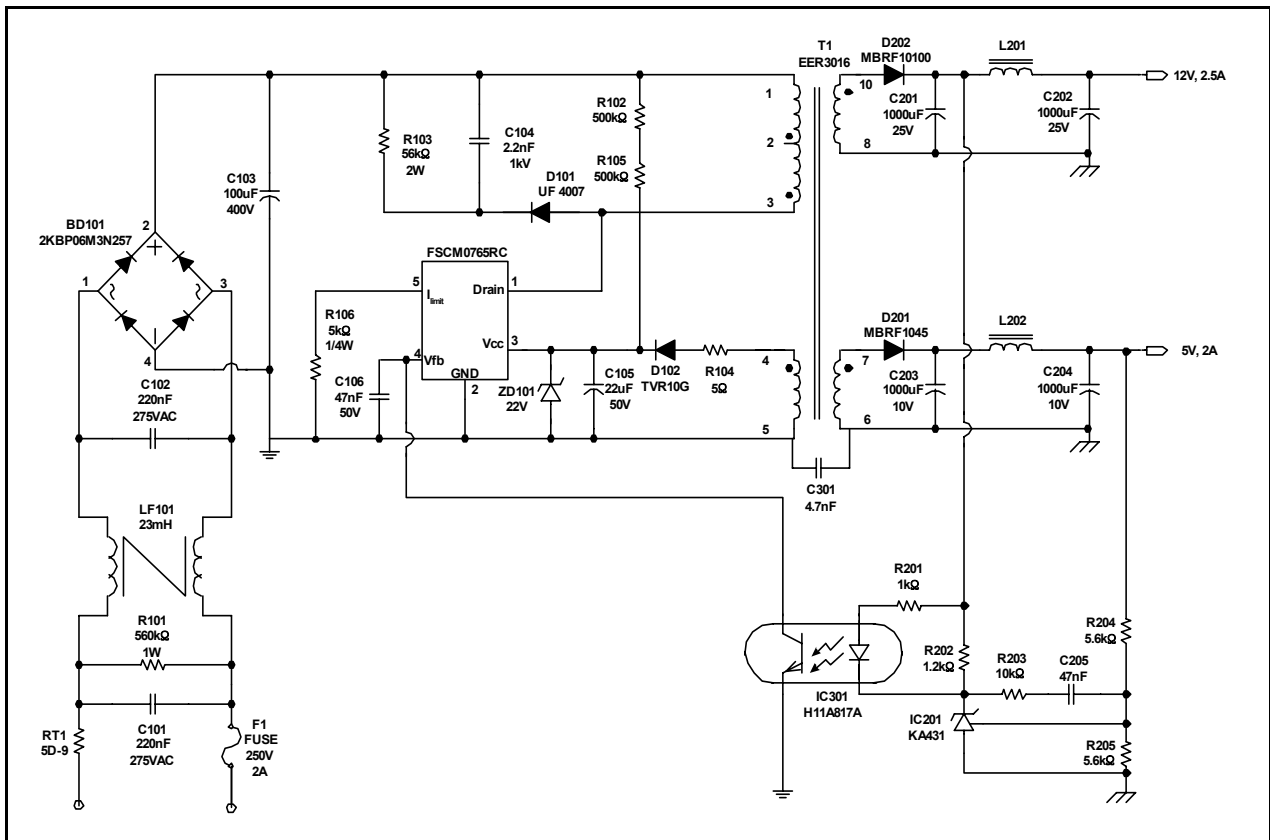
### Features

- High efficiency (>81% at 85Vac input)
- Low standby mode power consumption (<1W at 240Vac input and 0.4W load)
- Low component count
- Enhanced system reliability through various protection functions
- Low EMI through frequency modulation
- Internal soft-start (15ms)

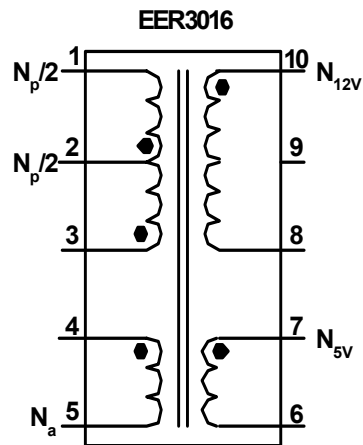
### Key Design Notes

- Resistors R102 and R105 are employed to prevent start-up at low input voltage
- The delay time for over load protection is designed to be about 50ms with C106 of 47nF. If a faster triggering of OLP is required, C106 can be reduced to 22nF.

### 1. Schematic



## 2. Transformer Schematic Diagram



## 3. Winding Specification

| No  | Pin (s→f) | Wire                 | Turns | Winding Method   |
|---|-----------|----------------------|-------|------------------|
| Na  | 4 → 5     | 0.2 <sup>φ</sup> × 1 | 8     | Center Winding   |
| Insulation: Polyester Tape t = 0.050mm, 2Layers       |           |                      |       |                  |
| Np/2  | 2 → 1     | 0.4 <sup>φ</sup> × 1 | 18    | Solenoid Winding |
| Insulation: Polyester Tape t = 0.050mm, 2Layers       |           |                      |       |                  |
| N12V  | 10 → 8    | 0.3 <sup>φ</sup> × 3 | 7     | Center Winding   |
| Insulation: Polyester Tape t = 0.050mm, 2Layers       |           |                      |       |                  |
| N5V   | 7 → 6     | 0.3 <sup>φ</sup> × 3 | 3     | Center Winding   |
| Insulation: Polyester Tape t = 0.050mm, 2Layers       |           |                      |       |                  |
| Np/2  | 3 → 2     | 0.4 <sup>φ</sup> × 1 | 18    | Solenoid Winding |
| Outer Insulation: Polyester Tape t = 0.050mm, 2Layers |           |                      |       |                  |

## 4. Electrical Characteristics

|                    | Pin   | Specification | Remarks                   |
|--------------------|-------|---------------|---------------------------|
| Inductance         | 1 - 3 | 520uH ± 10%   | 100kHz, 1V                |
| Leakage Inductance | 1 - 3 | 10uH Max      | 2 <sup>nd</sup> all short |

## 5. Core & Bobbin

Core : EER 3016

Bobbin : EER3016

Ae(mm<sup>2</sup>) : 96

## 6.Demo Circuit Part List

| Part             | Value        | Note                   | Part                | Value         | Note                |
|------------------|--------------|------------------------|---------------------|---------------|---------------------|
| <b>Fuse</b>      |              |                        | C301                | 4.7nF         | Polyester Film Cap. |
| F101             | 2A/250V      |                        |                     |               |                     |
| <b>NTC</b>       |              |                        | <b>Inductor</b>     |               |                     |
| RT101            | 5D-9         |                        | L201                | 5uH           | Wire 1.2mm          |
| <b>Resistor</b>  |              |                        | L202                | 5uH           | Wire 1.2mm          |
| R101             | 560K         | 1W                     |                     |               |                     |
| R102             | 500K         | 1/4W                   |                     |               |                     |
| R103             | 56K          | 2W                     |                     |               |                     |
| R104             | 5            | 1/4W                   | <b>Diode</b>        |               |                     |
| R105             | 500K         | 1/4W                   | D101                | UF4007        |                     |
| R106             | 5K           | 1/4W                   | D102                | TVR10G        |                     |
| R201             | 1K           | 1/4W                   | D201                | MBRF1045      |                     |
| R202             | 10K          | 1/4W                   | D202                | MBRF10100     |                     |
| R203             | 1.2K         | 1/4W                   |                     |               |                     |
| R204             | 5.6K         | 1/4W                   |                     |               |                     |
| R205             | 5.6K         | 1/4W                   | <b>Bridge Diode</b> |               |                     |
|                  |              |                        | BD101               | 2KBP06M 3N257 | Bridge Diode        |
| <b>Capacitor</b> |              |                        |                     |               |                     |
| C101             | 220nF/275VAC | Box Capacitor          | <b>Line Filter</b>  |               |                     |
| C102             | 220nF/275VAC | Box Capacitor          | LF101               | 23mH          | Wire 0.4mm          |
| C103             | 100uF/400V   | Electrolytic Capacitor | <b>IC</b>           |               |                     |
| C104             | 10nF/1kV     | Ceramic Capacitor      | IC101               | FSCM0765RC    | FPS™(7A,650V)       |
| C105             | 22uF/50V     | Electrolytic Capacitor | IC201               | KA431(TL431)  | Voltage reference   |
| C106             | 47nF/50V     | Ceramic Capacitor      | IC301               | H11A817A      | Opto-coupler        |
| C201             | 1000uF/25V   | Electrolytic Capacitor |                     |               |                     |
| C202             | 1000uF/25V   | Electrolytic Capacitor |                     |               |                     |
| C203             | 1000uF/10V   | Electrolytic Capacitor |                     |               |                     |
| C204             | 1000uF/10V   | Electrolytic Capacitor |                     |               |                     |
| C205             | 47nF/50V     | Ceramic Capacitor      |                     |               |                     |



7. Layout

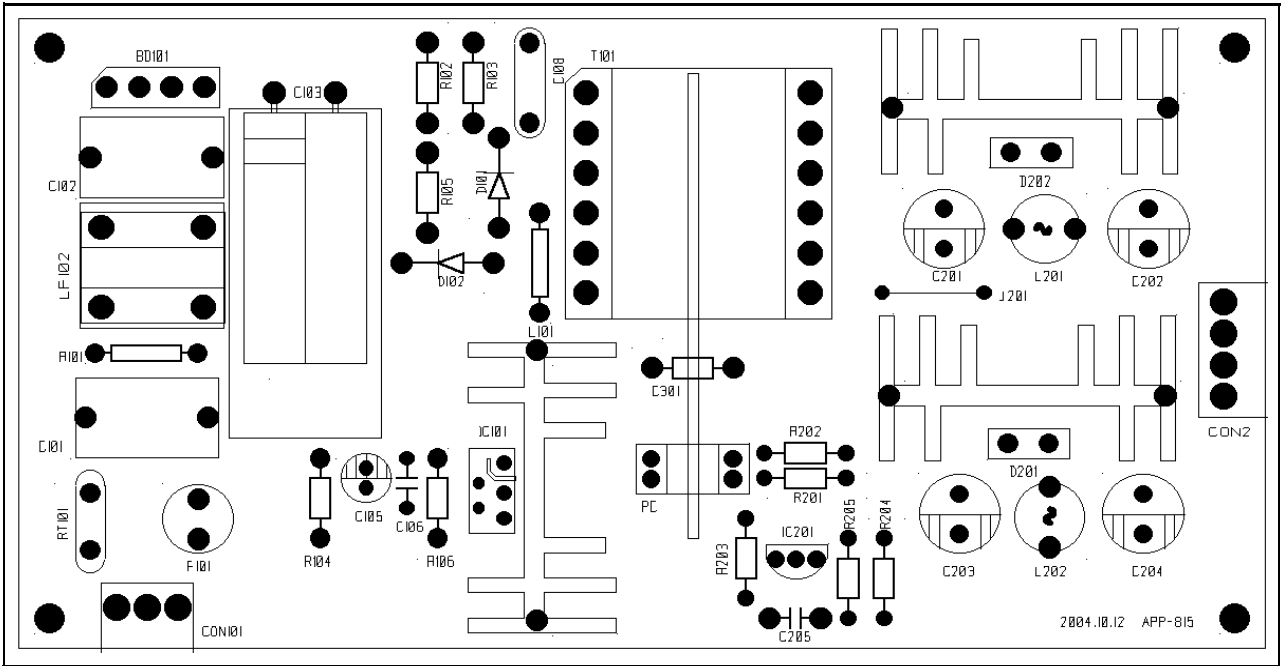


Figure 11. Layout Considerations for FSCM0765RC

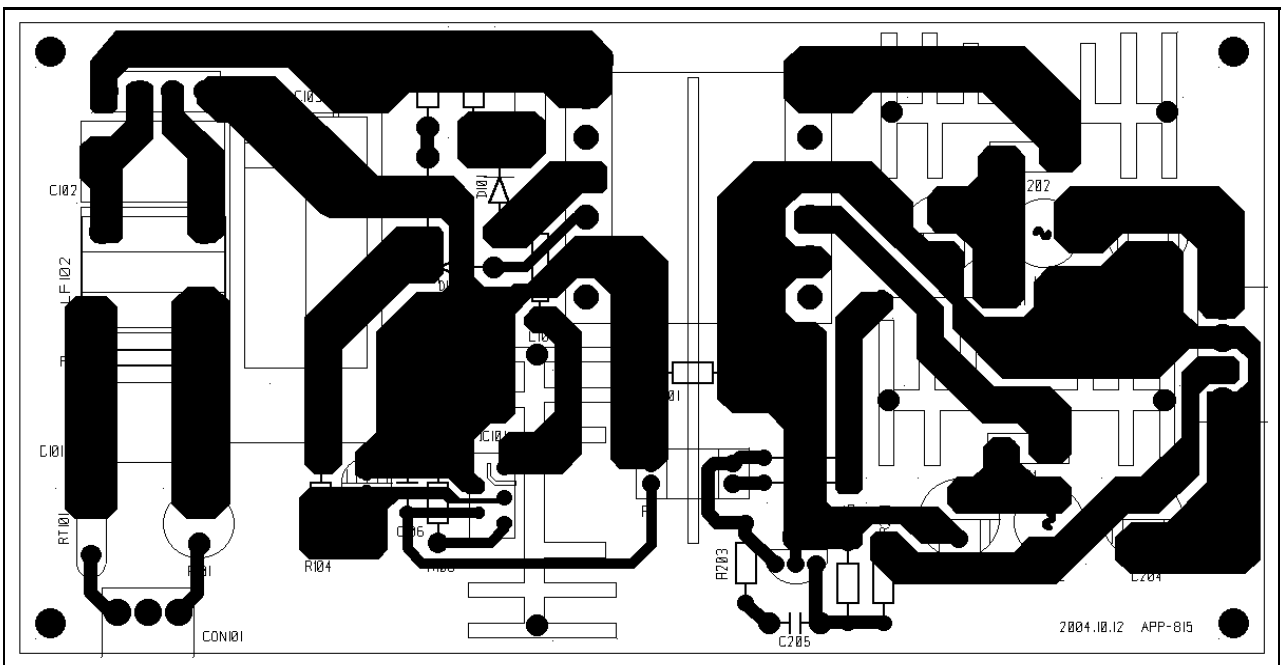
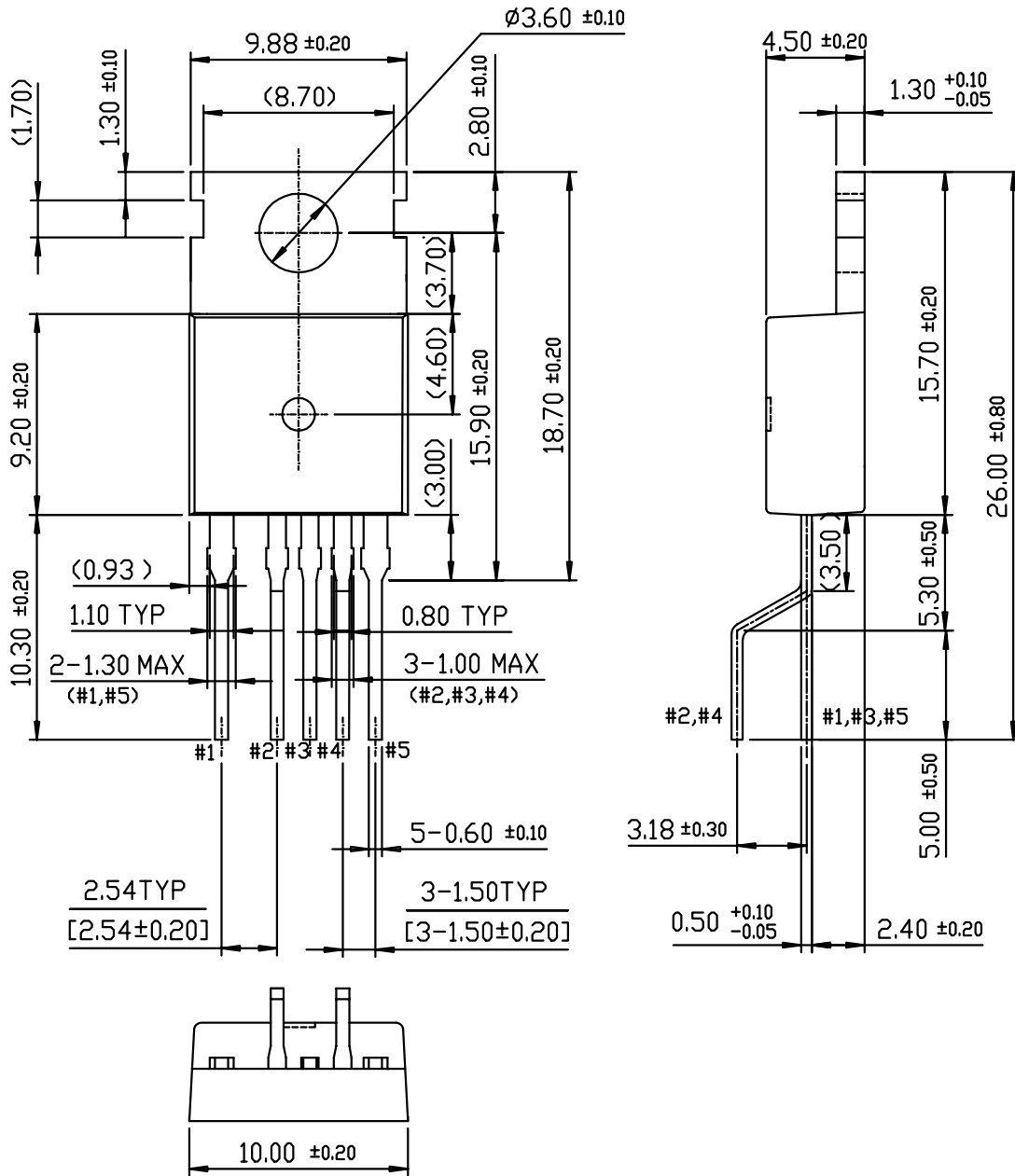


Figure 12. Layout Considerations for FSCM0765RC



Package Dimensions (Continued)

TO-220-5L(Forming)



**Ordering Information**

| <b>Product Number</b> | <b>Package</b> | <b>Marking Code</b> | <b>BVdss</b> | <b>Rds(on)Max.</b> |
|-----------------------|----------------|---------------------|--------------|--------------------|
| FSCM0765RD            | D2-PAK-5L      | CM0765RD            | 650V         | 1.6 $\Omega$       |
| FSCM0765RCYDTU        | TO-220-5L      | CM0765RC            | 650V         | 1.6 $\Omega$       |

**DISCLAIMER**

FAIRCHILD SEMICONDUCTOR RESERVES THE RIGHT TO MAKE CHANGES WITHOUT FURTHER NOTICE TO ANY PRODUCTS HEREIN TO IMPROVE RELIABILITY, FUNCTION OR DESIGN. FAIRCHILD DOES NOT ASSUME ANY LIABILITY ARISING OUT OF THE APPLICATION OR USE OF ANY PRODUCT OR CIRCUIT DESCRIBED HEREIN; NEITHER DOES IT CONVEY ANY LICENSE UNDER ITS PATENT RIGHTS, NOR THE RIGHTS OF OTHERS.

**LIFE SUPPORT POLICY**

FAIRCHILD'S PRODUCTS ARE NOT AUTHORIZED FOR USE AS CRITICAL COMPONENTS IN LIFE SUPPORT DEVICES OR SYSTEMS WITHOUT THE EXPRESS WRITTEN APPROVAL OF THE PRESIDENT OF FAIRCHILD SEMICONDUCTOR CORPORATION. As used herein:

1. Life support devices or systems are devices or systems which, (a) are intended for surgical implant into the body, or (b) support or sustain life, and (c) whose failure to perform when properly used in accordance with instructions for use provided in the labeling, can be reasonably expected to result in a significant injury of the user.
2. A critical component in any component of a life support device or system whose failure to perform can be reasonably expected to cause the failure of the life support device or system, or to affect its safety or effectiveness.