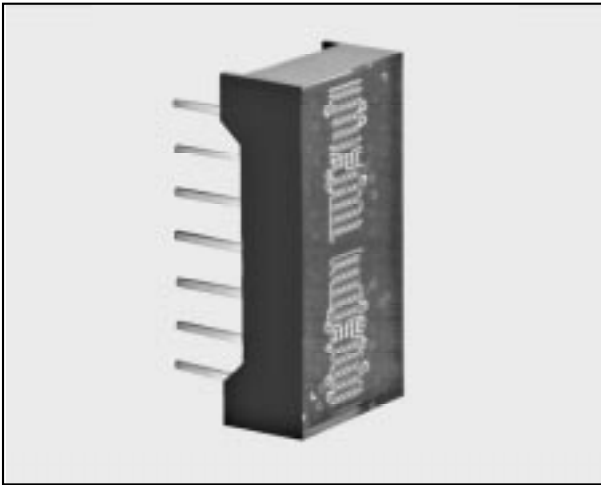


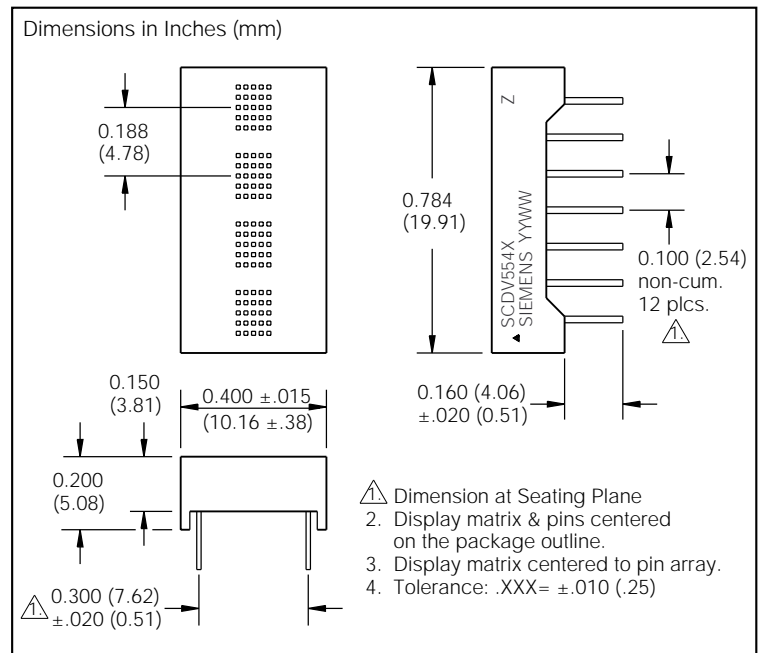
# SIEMENS

STANDARD RED **SCDV5540**  
YELLOW **SCDV5541**  
HIGH EFFICIENCY RED **SCDV5542**  
GREEN **SCDV5543**  
HIGH EFFICIENCY GREEN **SCDV5544**  
Vertical Format 0.123" 4-Character  
5x5 Dot Matrix Serial Input  
Dot Addressable Intelligent Display® Devices



## FEATURES

- Vertical Format, Four 0.123" (3.12 mm) 5x5 Dot Matrix Characters in Red, Yellow, High Efficiency Red, Green, or High Efficiency Green
- Optimum Display Surface Efficiency (display area to package ratio)
- High Speed Data Input Rate: 5 MHz
- ROMless Serial Input, Dot Addressable Display Ideal for User Defined Characters
- Built-in Decoders, Multiplexers and LED Drivers
- Readable from 6 Feet (1.8 meters)
- Wide Viewing Angle, X Axis  $\pm 55^\circ$ , Y Axis  $\pm 55^\circ$
- Attributes:
  - 100 Bit RAM for User Defined Characters
  - Eight Dimming Levels
  - Power Down Model (<250  $\mu$ W)
  - Hardware/Software Clear Functions
  - Lamp Test
  - Internal or External Clock
- 3.3 V Capability



## DESCRIPTION

The SCDV5540 (Red), SCDV5541 (Yellow), SCDV5542 (High Efficiency Red), SCDV5543 (Green), and SCDV5544 (High Efficiency Green) are four digit, dot addressable 5x5 dot matrix, serial input, alphanumeric Intelligent Display devices in a vertical format. The four digits are packaged in a rugged, high quality, optically transparent, plastic 14 pin DIP with 0.3" pin spacing.

The on-board CMOS has a 100 bit RAM, one bit associated with one LED, each to generate User Defined Characters. In Power Down Mode, quiescent current is <50  $\mu$ A.

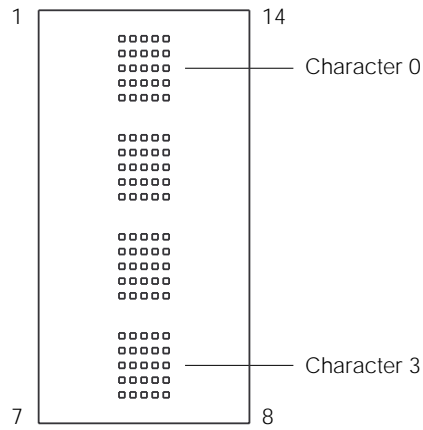
The SCDV554X is designed for work with the serial port of most common microprocessors. Data is transferred into the display through the Serial Data Input (DATA), clocked by the Serial Data Clock (SDCLK), and enabled by the Load Input (LOAD).

The Clock I/O (CLK I/O) and Clock Select ( $\overline{\text{CLK SEL}}$ ) pins offer the user the capability to supply a high speed external multiplex clock. This feature can minimize audio in-band interference for portable communication equipment or eliminate the visual synchronization effects found in high vibration environments such as avionic equipment.

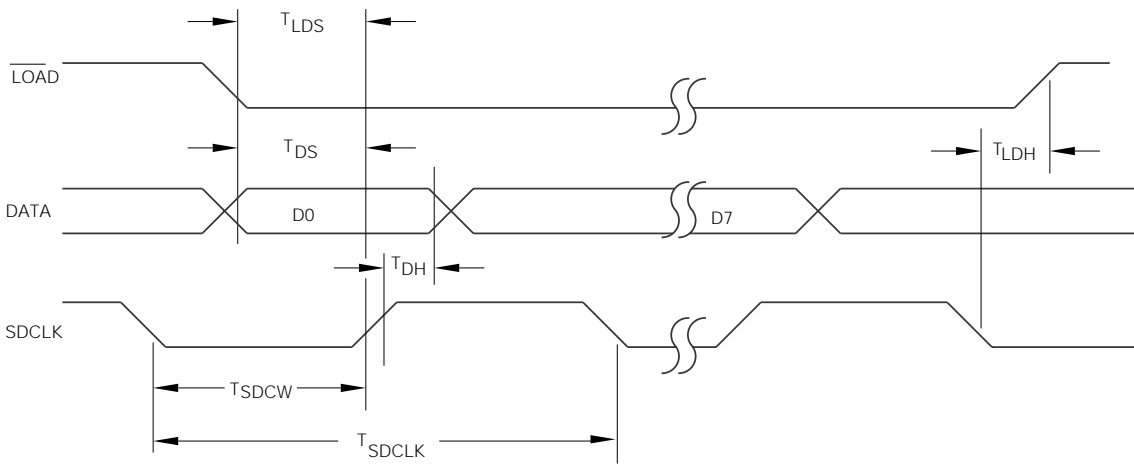
**Maximum Ratings**

DC Supply Voltage.....	-0.5 to +7.0 Vdc
Input Voltage Levels Relative to Ground.....	-0.5 to $V_{CC} + 0.5$ Vdc
Operating Temperature .....	-40°C to +85°C
Storage Temperature.....	-40°C to +100°C
Maximum Solder Temperature 0.063" below Seating Plane, $t < 5$ sec .....	260°C
Relative Humidity at 85°C .....	85%
Maximum Number of LEDs at 100% Brightness.....	64
Maximum Power Dissipation .....	0.65 W
ESD (100 pF, 1.5 K $\Omega$ ) .....	2 KV
Maximum Input Current .....	$\pm 100$ mA

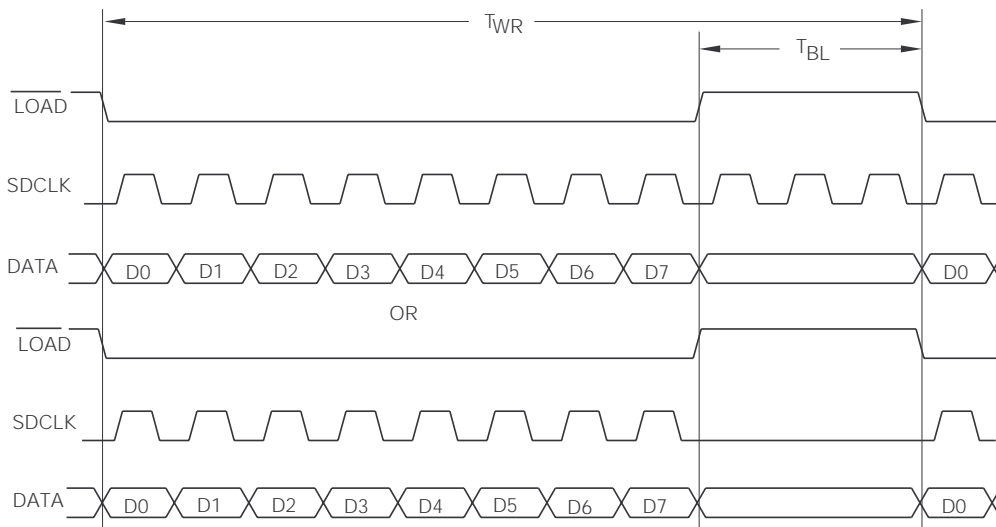
**Figure 3. Top view**



**Figure 1. Timing diagram—data write cycle**



**Figure 2. Timing diagram—instruction cycle**



### Electrical characteristics (over operating temperature)

Parameter	Min.	Typ.	Max.	Units	Conditions
$V_{CC}$	4.5	5.0	5.5	V	
$I_{CC}$ (Pwr Dwn Mode) <sup>(4)</sup>			50	$\mu$ A	$V_{CC}=5.0$ V, all inputs=0 V or $V_{CC}$
$I_{CC}$ 4 digits 16 dots/character		100	140	mA	$V_{CC}=5$ V, " #" displayed in all 4 digits at 100% brightness at 25°C
$I_{IL}$ Input current			-10	$\mu$ A	$V_{CC}=5$ V, $V_{IN}=0$ V (all inputs)
$I_{IH}$ Input current			10	$\mu$ A	$V_{CC}=V_{IN}=5.0$ V (all inputs)
$V_{IH}$	3.5			V	$V_{CC}=4.5$ V to 5.5 V
$V_{IL}$			1.5	V	$V_{CC}=4.5$ V to 5.5 V
$I_{OH}$ (CLK I/O)		-8.9		mA	$V_{CC}=4.5$ V, $V_{OH}=2.4$ V
$I_{OL}$ (CLK I/O)		1.6		mA	$V_{CC}=4.5$ V, $V_{OL}=0.4$ V
$\theta_{JC-PIN}$			64	$^{\circ}$ C/W	
$F_{ext}$ External Clock Input Frequency	120		347	KHz	$V_{CC}=5.0$ V, $\overline{CLKSEL}=0$
$F_{osc}$ Internal Clock Input Frequency	120		347	KHz	$V_{CC}=5.0$ V, $\overline{CLKSEL}=1$
Clock I/O Bus Loading			240	pF	
Clock Out Rise Time			500	ns	$V_{CC}=4.5$ V, $V_{OH}=2.4$ V
Clock Out Fall Time			500	ns	$V_{CC}=4.5$ V, $V_{OH}=0.4$ V
FM, Digit	375	768	1086	Hz	

#### Notes:

- 1) Peak current  $\frac{5}{3} \times I_{CC}$ .
- 2) Unused inputs must be tied high.
- 3) Contact Siemens for 3.3 volt operation.
- 4) External oscillator must be stopped if being used to maintain an  $I_{CC} < 50 \mu$ A.

### Input/Output Circuits

Figures 4 and 5 show the input and output resistor/diode networks used for ESD protection and to eliminate substrate latch-up caused by input voltage over/under shoot.

Figure 4. Inputs

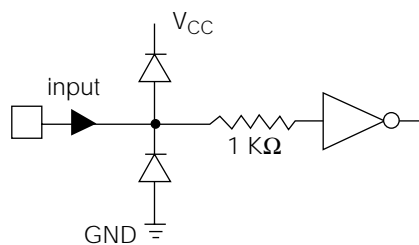
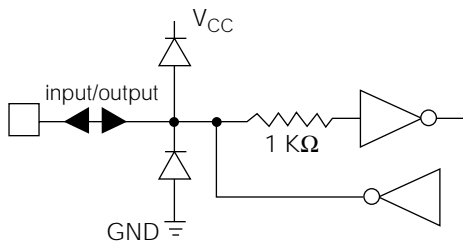


Figure 5. lock I/O



**Optical Characteristics at 25°C**(V<sub>CC</sub>=5.0 V at 100% brightness level, viewing angle: X axis ±55°, Y axis ±65°)**Red SCDV5540**

Description	Symbol	Min.	Typ.	Units
Luminous Intensity Character Average (# displayed all digits)	I <sub>v</sub>	0.48	1.8	mcd
Peak Wavelength	λ(peak)		665	nm
Dominant Wavelength	λ(d)		639	nm

**Yellow SCDV5541**

Description	Symbol	Min.	Typ.	Units
Luminous Intensity Character Average (# displayed all digits)	I <sub>v</sub>	1.8	5.4	mcd
Peak Wavelength	λ(peak)		583	nm
Dominant Wavelength	λ(d)		585	nm

**High Efficiency Red SCDV5542**

Description	Symbol	Min.	Typ.	Units
Luminous Intensity Character Average (# displayed all digits)	I <sub>v</sub>	1.8	5.4	mcd
Peak Wavelength	λ(peak)		630	nm
Dominant Wavelength	λ(d)		620	nm

**Green SCDV5543**

Description	Symbol	Min.	Typ.	Units
Luminous Intensity Character Average (# displayed all digits)	I <sub>v</sub>	1.8	5.4	mcd
Peak Wavelength	λ(peak)		565	nm
Dominant Wavelength	λ(d)		570	nm

**High Efficiency Green SCDV5544**

Description	Symbol	Min.	Typ.	Units
Luminous Intensity Character Average (# displayed all digits)	I <sub>v</sub>	2.1	6.4	mcd
Peak Wavelength	λ(peak)		568	nm
Dominant Wavelength	λ(d)		574	nm

**Notes:**

1. Dot to dot intensity matching at 100% brightness is 1.8:1.
2. Displays are binned for hue at 2 nm intervals.
3. Displays within a given intensity category have an intensity matching of 1.5:1 (max.).

### Pin assignment

Pin	Function	Pin	Function
1	SDCLK	14	GND
2	$\overline{\text{LOAD}}$	13	DATA
3	NP	12	V <sub>CC</sub>
4	NP	11	V <sub>CC</sub>
5	NP	10	V <sub>CC</sub>
6	$\overline{\text{RST}}$	9	CLKSEL
7	GND	8	CLK I/O

### Switching specifications

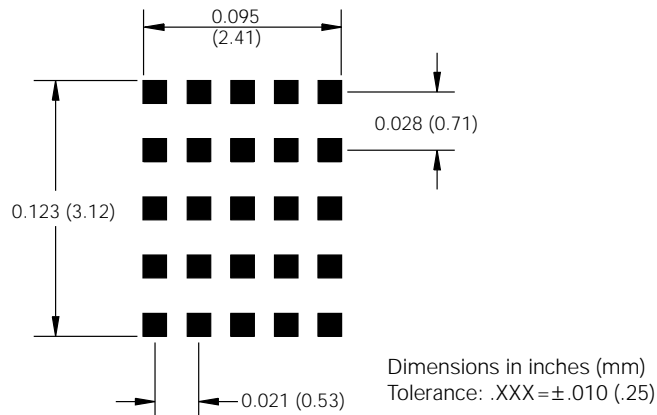
(over operating temperature range and V<sub>CC</sub>=4.5 V to 5.5 V)

Symbol	Description	Min.	Units
T <sub>RC</sub>	Reset Active Time	600	ns
T <sub>LDS</sub>	Load Setup Time	50	ns
T <sub>DS</sub>	Data Setup Time	50	ns
T <sub>SDCLK</sub>	Clock Period	200	ns
T <sub>SDCW</sub>	Clock Width	70	ns
T <sub>LDH</sub>	Load Hold Time	0	ns
T <sub>DH</sub>	Data Hold Time	25	ns
T <sub>WR</sub>	Total Write Time	2.2	μs
T <sub>BL</sub>	Time Between Loads	600	ns

#### Note:

T<sub>SDCW</sub> is the minimum time the SDCLK may be low or high.  
The SDCLK period must be a minimum of 200 ns.

Figure 6. Dot matrix format



### Pin definitions

Pin	Function	Definitions
1	SDCLK	Loads data into the 8-bit serial data register on a low to high transition.
2	$\overline{\text{LOAD}}$	Low input enables data clocking into 8-bit serial shift register. When $\overline{\text{LOAD}}$ goes high, the contents of 8-bit serial Shift Register will be decoded.
3	NP	No pin
4	NP	No pin
5	NP	No pin
6	$\overline{\text{RST}}$	Asynchronous input, when low will clear the Multiplex Counter, User RAM and Data Register. Control Word Register is set to 100% brightness and the Address Register is set to select Digit 0. The display is blanked.
7	GND	Power supply ground
8	CLK I/O	Outputs master clock or inputs external clock.
9	CLK SEL	H=internal clock, L=external clock
10	V <sub>CC</sub>	Power supply
11	V <sub>CC</sub>	Power supply
12	V <sub>CC</sub>	Power supply
13	DATA	Serial data input
14	GND	Power supply ground

### Display column and row format

	C0	C1	C2	C3	C4
Row 0	1	1	1	1	1
Row 1	0	0	1	0	0
Row 2	0	0	1	0	0
Row 3	0	0	1	0	0
Row 4	0	0	1	0	0

1=Display dot "On"  
0=Display dot "Off"

### Column data ranges

Row 0	00H to 1FH
Row 1	20H to 3FH
Row 2	40H to 5FH
Row 3	60H to 7FH
Row 4	80H to 9FH

### Operation of the SCDV554X

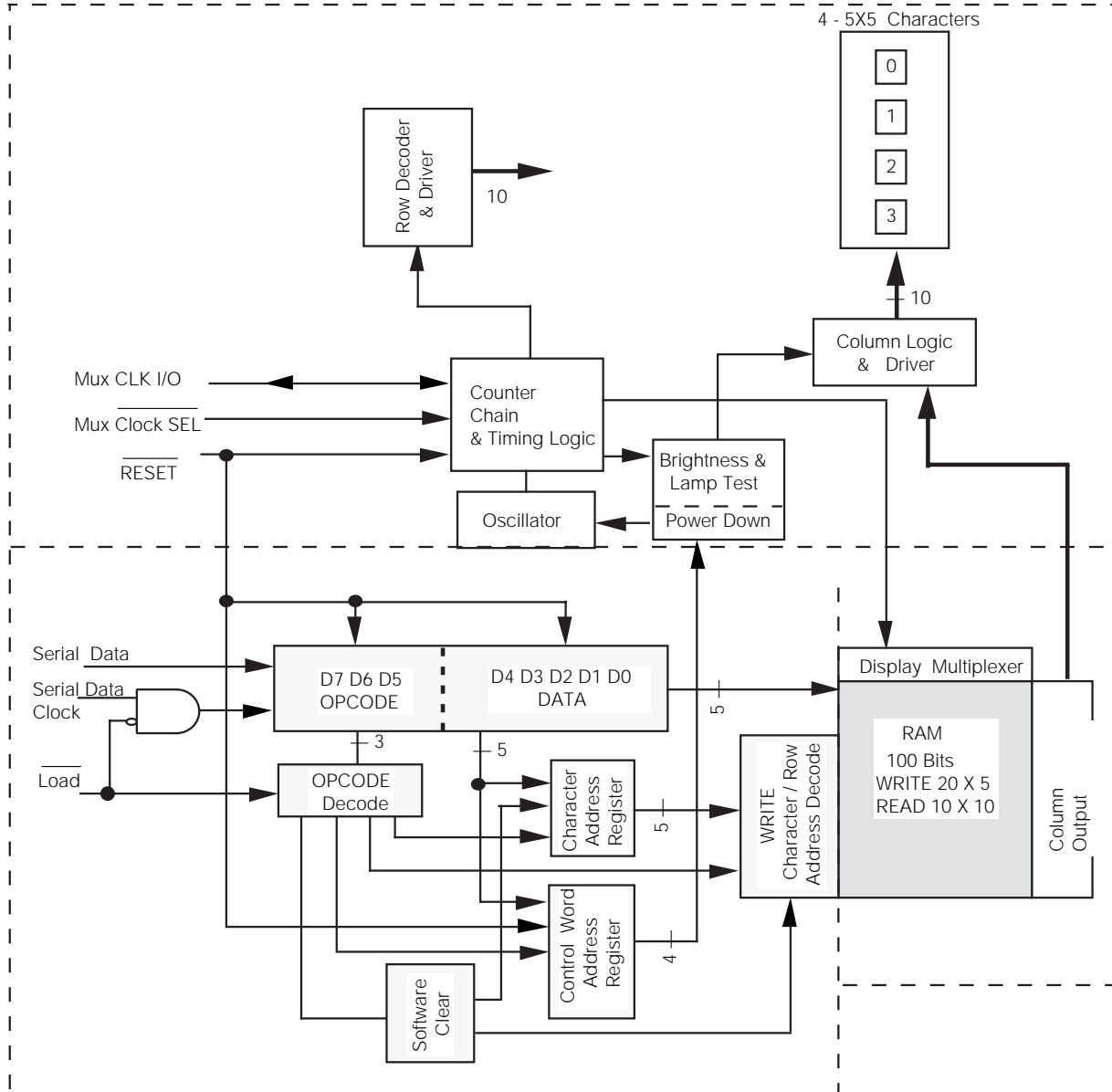
The SCDV554X display consists of a CMOS IC containing control logic and drivers for four 5x5 characters. These components are assembled in a compact plastic package.

Individual LED dot addressability allows the user great freedom in creating special characters or mini-icons. The User Definable Character Set examples illustrate 200 different character and symbol possibilities.

The serial data interface provides a highly efficient interconnection between the display and the mother board. The SCDV554X requires only four lines as compared to 15 for an equivalent four character parallel input part.

The on-board CMOS IC is the electronic heart of the display. The IC accepts decoded serial data, which is stored in the internal RAM. Asynchronously the RAM is read by the character multiplexer at a strobe rate that results in a flicker free display. Figure 7 shows the three functional areas of the IC. These include: the input serial data register and control logic, a 100 bits two port RAM, and an internal multiplexer/display driver.

Figure 7. SCDV554X block diagram



The following explains how to format the serial data to be loaded into the display. The user supplies a string of bit mapped decoded characters. The contents of this string is shown in Figure 8a. Figure 8b shows that each character consists of six 8 bit words. The first word encodes the display character location and the succeeding five bytes are row data. The row data represents the status (On, Off) of individual column LEDs. Figure 8c shows that each that each 8 bit word is formatted to include a three bit Operational Code (OPCODE) defined by bits D7–D5 and five bits (D4–D0) representing Column Data, Character Address, or Control Word Data.

Figure 8d shows the sequence for loading the bytes of data. Bringing the **LOAD** line low enables the serial register to accept data. The shift action occurs on the low to high transition of the serial data clock (SDCLK). The least significant bit (D0) is loaded first. After eight clock pulses the **LOAD** line is brought high. With this transition the OPCODE is decoded. The decoded OPCODE directs D4–D0 to be latched in the Character Address register, stored in the RAM as Column data, or latched in the Control Word register. The control IC requires a minimum 600 ns delay between successive byte loads. As indicated in Figure 8a, a total of 264 bits of data are required to load all eight characters into the display.

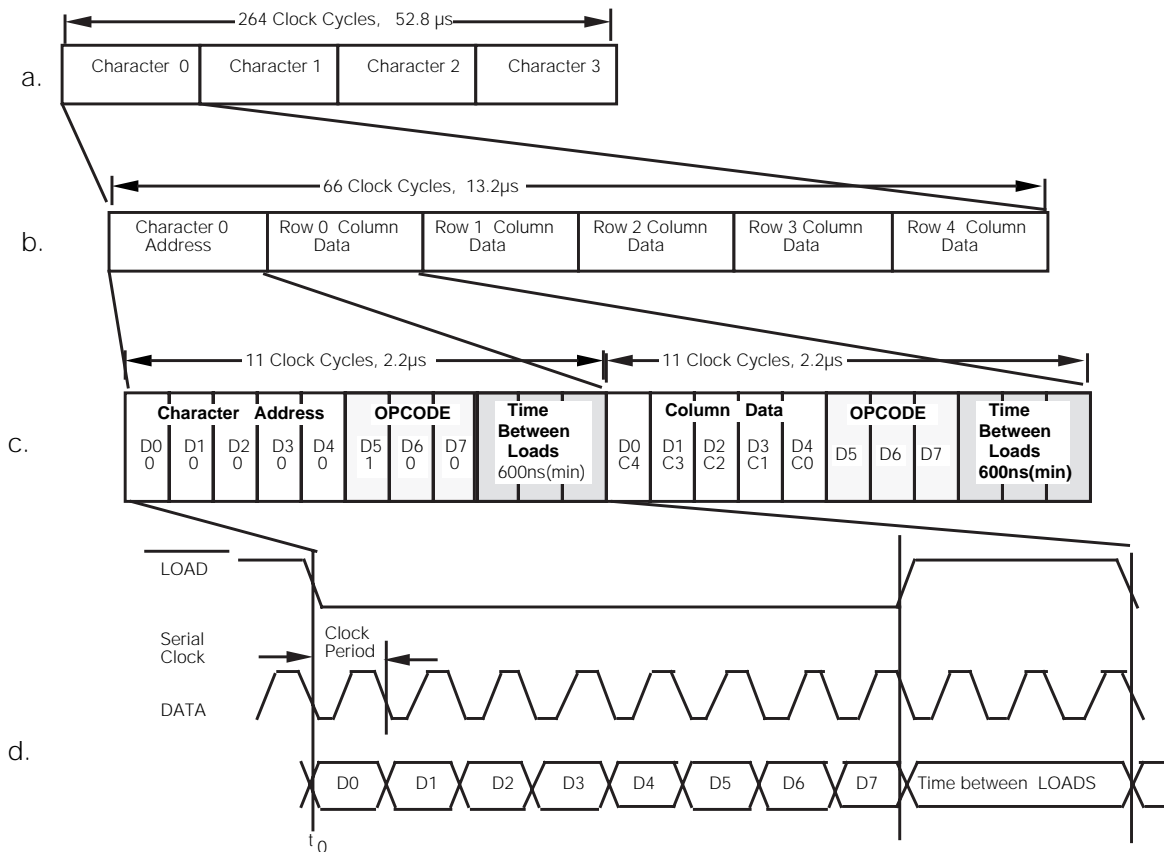
The Character Address Register bits, D4–D0 (Table 2), and Row Address Register bits, D7–D5 (Table 3), direct the Column Data bits, D4–D0 (Table 3) to specific RAM location. Table 1 shows the Row Address for the example character "D." Column data is written and read asynchronously from the 200 bit RAM. Once loaded the internal oscillator and character multiplexer reads the data from the RAM. These characters are row strobed with column data as shown in Figures 9 and 10. The character strobe rate is determined by the internal or user supplied external MUX Clock and the IC's + 320 counter.

**Table 1. Character "D"**

	Op code			Column Data					Hex
	D7	D6	D5	D4	D3	D2	D1	D0	
				C0	C1	C2	C3	C4	
Row 0	0	0	0	1	1	1	1	0	1E
Row 1	0	0	1	1	0	0	0	1	31
Row 2	0	1	0	1	0	0	0	1	51
Row 3	0	1	1	1	0	0	0	1	71
Row 4	1	0	0	1	1	1	1	0	9E

**Figure 8. Loading serial character data**

Example: Serial Clock = 5MHz, Clock Period = 200ns



**Table 2. Load character address**

Op code D7 D6 D5	Character Address D4 D3 D2 D1 D0	Hex	Operation Load
1 0 1	0 0 0 0 0	A0	Character 0
1 0 1	0 0 0 0 1	A1	Character 1
1 0 1	0 0 0 1 0	A2	Character 2
1 0 1	0 0 0 1 1	A3	Character 3

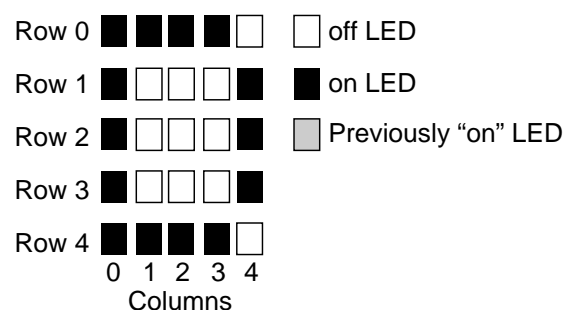
**Table 3. Load column data**

Op code D7 D6 D5	Column Data D4 D3 D2 D1 D0	Operation Load
0 0 0	C0 C1 C2 C3 C4	Row 0
0 0 1	C0 C1 C2 C3 C4	Row 1
0 1 0	C0 C1 C2 C3 C4	Row 2
0 1 1	C0 C1 C2 C3 C4	Row 3
1 0 0	C0 C1 C2 C3 C4	Row 4

The user can activate four Control functions. These include: LED Brightness Level, Lamp Test, IC Power Down, or Display Clear. OPCODEs and five bit words are used to initiate these functions. The OPCODEs and Control Words for the Character Address and Loading Column Data are shown in Tables 2 and 3.

The user can select seven specific LED brightness levels, Table 4. These brightness levels (in percentages of full brightness of the display) include: 100% (F0<sub>HEX</sub>), 53% (F1<sub>HEX</sub>), 40% (F2<sub>HEX</sub>), 27% (F3<sub>HEX</sub>), 20% (F4<sub>HEX</sub>), 13% (F5<sub>HEX</sub>), and 6.6% (F6<sub>HEX</sub>). The brightness levels are controlled by changing the duty factor of the row strobe pulse.

**Figure 9. Row and column locations**



**Table 4. Display brightness**

Op code D7 D6 D5	Control Word D4 D3 D2 D1 D0	Hex	Operation Level
1 1 1	1 0 0 0 0	F0	100%
1 1 1	1 0 0 0 1	F1	53%
1 1 1	1 0 0 1 0	F2	40%
1 1 1	1 0 0 1 1	F3	27%
1 1 1	1 0 1 0 0	F4	20%
1 1 1	1 0 1 0 1	F5	13%
1 1 1	1 0 1 1 0	F6	6.6%

The SCDV554X offers a unique Display Power Down feature which reduces ICC to less than 50  $\mu$ A. When FF<sub>HEX</sub> is loaded (Table 5) the display is set to 0% brightness and the internal multiplex clock is stopped. When in the Power Down mode data may still be written into the RAM. The display is reactivated by loading a new brightness Level Control Word into the display.

**Table 5. Power down**

Op code D7 D6 D5	Control Word D4 D3 D2 D1 D0	Hex	Operation Level
1 1 1	1 1 1 1 1	FF	0% brightness

The Lamp Test is enabled by loading F8<sub>HEX</sub>, Table 6, into the serial shift register. This Control Word sets all of the LEDs to a 53% brightness level. Operation of the Lamp Test has no effect on the RAM and is cleared by loading a Brightness Control Word.

**Table 6. Lamp test**

Op code D7 D6 D5	Control Word D4 D3 D2 D1 D0	Hex	Operation Level
1 1 1	1 0 B B B		Lamp Test (OFF)
1 1 1	1 1 0 0 0	F8	Lamp Test (ON)

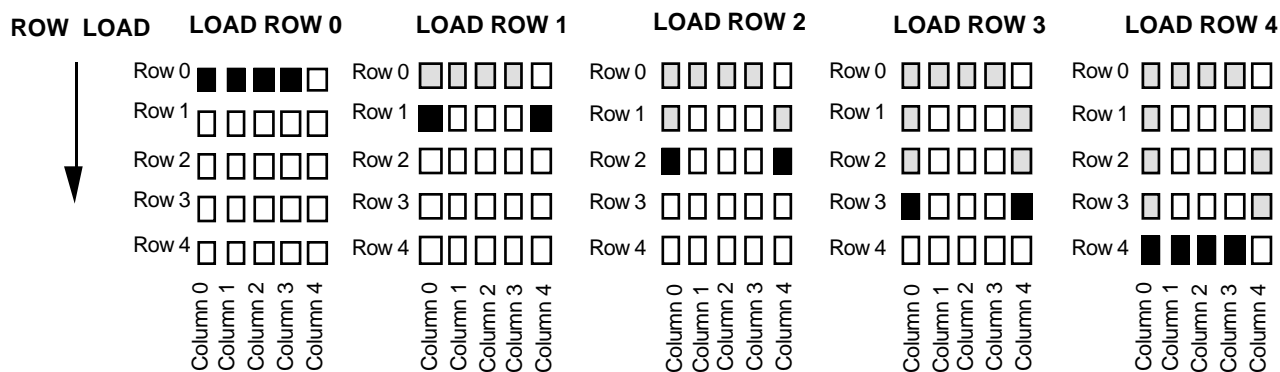
The Software Clear (C0<sub>HEX</sub>), given in Table 7, clears the Address Register and the RAM. The display is blanked and the Character Address Register will be set to Character 0. The internal counter and the Control Word Register are unaffected. The Software Clear will remain active until the next data input cycle is initiated.

**Table 7. Software clear**

Op code D7 D6 D5	Control Word D4 D3 D2 D1 D0	Hex	Operation Level
1 1 0	0 0 0 0 0	C0	CLEAR



Figure 10. Row strobing



### Multiplexer and Display Driver

The four characters are row multiplexed with RAM resident column data. The strobe rate is established by the internal or external MUX Clock rate. The MUX Clock frequency is divided by a 320 counter chain. This results in a typical strobe rate of 750 Hz. By pulling the Clock SEL line low, the display can be operated from an external MUX Clock. The external clock is attached to the CLK I/O connection (pin 8). The maximum external MUX Clock frequency should be limited to 1 MHz.

An asynchronous hardware Reset (pin 9) is also provided. Bringing this pin low will clear the Character Address Register, Control Word Register, RAM, and blanks the display. This action leaves the display set at Character Address 0, and the Brightness Level set at 100%.

### Electrical & Mechanical Considerations

#### Interconnect Considerations

Optimum product performance can be had when the following electrical and mechanical recommendations are adopted. The SCDV554X's IC is constructed in a high speed CMOS process, consequently high speed noise on the SERIAL DATA, SERIAL DATA CLOCK,  $\overline{\text{LOAD}}$  and  $\overline{\text{RESET}}$  lines may cause incorrect data to be written into the serial shift register. Adhere to transmission line termination procedures when using fast line drivers and long cables (>10 cm).

Good digital grounds (pins 7 and 14) and power supply decoupling (pins 11 and 12) will insure that  $I_{CC}$  (<400 mA peak) switching currents do not generate localized ground bounce. Therefore it is recommended that each display package use a 0.1  $\mu\text{F}$  and 20  $\mu\text{F}$  capacitor between  $V_{CC}$  and ground.

When the internal MUX Clock is being used connect the  $\overline{\text{CLKSEL}}$  pin to  $V_{CC}$ . In those applications where  $\overline{\text{RESET}}$  will not be connected to the system's reset control, it is recommended that this pin be connected to the center node of a series 0.1  $\mu\text{F}$  and 100 K $\Omega$  RC network. Thus upon initial power up the  $\overline{\text{RESET}}$  will be held low for 10 ms allowing adequate time for the system power supply to stabilize.

### ESD Protection

The input protection structure of the SCDV5540/1/2/3/4 provides significant protection against ESD damage. It is capable of withstanding discharges greater than 2 KV. Take all the standard precautions, normal for CMOS components. These include properly grounding personnel, tools, tables, and transport carriers that come in contact with unshielded parts. If these conditions are not, or cannot be met, keep the leads of the device shorted together or the parts in anti-static packaging.

### Soldering Considerations

The SCDV5540/1/2/3/4 can be hand soldered with SN63 solder using a grounded iron set to 260°C.

Wave soldering is also possible following these conditions: Pre-heat that does not exceed 93°C on the solder side of the PC board or a package surface temperature of 85°C. Water soluble organic acid flux (except carboxylic acid) or resin-based RMA flux without alcohol can be used.

Wave temperature of 245°C  $\pm$  5°C with a dwell between 1.5 sec. to 3.0 sec. Exposure to the wave should not exceed temperatures above 260°C for five seconds at 0.063" below the seating plane. The packages should not be immersed in the wave.

### Post Solder Cleaning Procedures

The least offensive cleaning solution is hot D.I. water (60°C) for less than 15 minutes. Addition of mild saponifiers is acceptable. Do not use commercial dishwasher detergents.

For faster cleaning, solvents may be used. Exercise care in choosing solvents as some may chemically attack the nylon package. For further information refer to Appnotes 18 and 19 in the current Siemens Optoelectronic Data Book. See Appnote 19, Table 2, "Displays-Group 2" for the SCDV554X.

An alternative to soldering and cleaning the display modules is to use sockets. Naturally, 14 pin DIP sockets .300" wide with .100" centers work well for single displays. Multiple display assemblies are best handled by longer SIP sockets or DIP sockets when available for uniform package alignment. Socket manufacturers are Aries Electronics, Inc., Frenchtown, NJ; Garry Manufacturing, New Brunswick, NJ; Robinson-Nugent, New Albany, IN; and Samtec Electronic Hardware, New Albany, IN.

For further information refer to Appnote 22 in the current Siemens Optoelectronic Data Book.

**Optical Considerations**

The 0.123" high character of the SCDV554X gives readability up to five feet. Proper filter selection enhances readability over this distance.

Using filters emphasizes the contrast ratio between a lit LED and the character background. This will increase the discrimination of different characters. The only limitation is cost. Take into consideration the ambient lighting environment for the best cost/benefit ratio for filters.

Incandescent (with almost no green) or fluorescent (with almost no red) lights do not have the flat spectral response of sunlight. Plastic band-pass filters are an inexpensive and effective way to strengthen contrast ratios. The SCDV5540/2 are red/high efficiency red displays and should be matched with long wavelength pass filter in the 570 nm to 590 nm range. The SCDV5543/4 should be matched with a yellow-green band-pass filter that peaks at 565 nm. For displays of multiple colors, neutral density grey filters offer the best compromise.

Additional contrast enhancement is gained by shading the displays. Plastic band-pass filters with built-in louvers offer the next step up in contrast improvement. Plastic filters can be

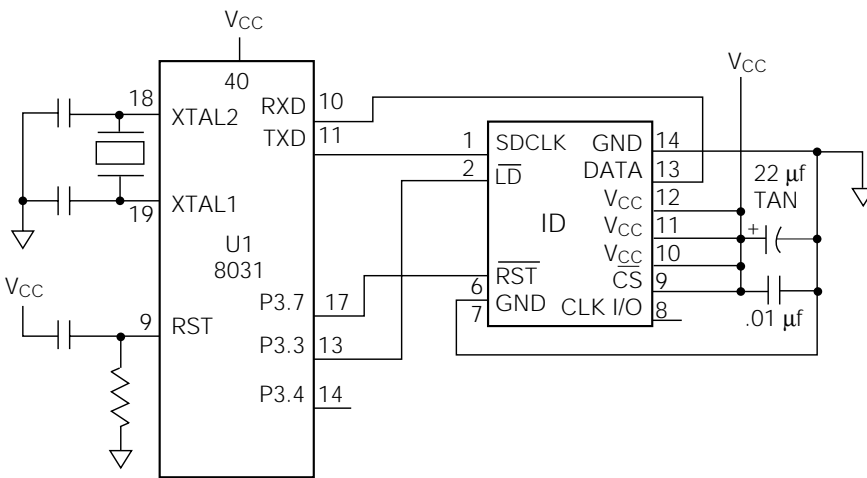
improved further with anti-reflective coatings to reduce glare. The trade-off is fuzzy characters. Mounting the filters close to the display reduces this effect. Take care not to overheat the plastic filter by allowing for proper air flow.

Optimal filter enhancements are gained by using circular polarized, anti-reflective, band-pass filters. The circular polarizing further enhances contrast by reducing the light that travels through the filter and reflects back off the display to less than 1%.

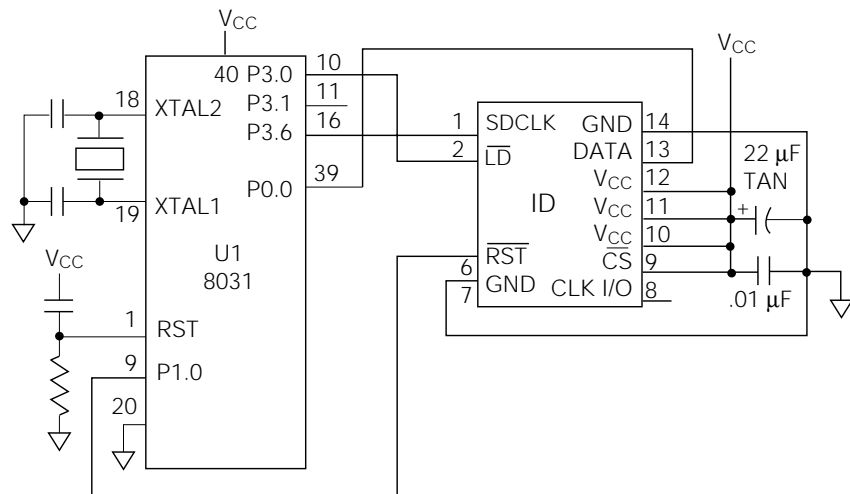
Several filter manufacturers supply quality filter materials. Some of them are: Panelgraphic Corporation, W. Caldwell, NJ; SGL Homalite, Wilmington, DE; 3M Company, Visual Products Division, St. Paul, MN; Polaroid Corporation, Polarizer Division, Cambridge, MA; Marks Polarized Corporation, Deer Park, NY; Hoya Optics, Inc., Fremont, CA.

One last note on mounting filters: recessing displays and bezel assemblies is an inexpensive way to provide a shading effect in overhead lighting situations. Several Bezel manufacturers are: R.M.F. Products, Batavia, IL; Nobex Components, Griffith Plastic Corp., Burlingame, CA; Photo Chemical Products of California, Santa Monica, CA; I.E.E.-Atlas, Van Nuys, CA.

**Figure 11. SCDV interface to Siemens/Intel 8031 microprocessor (using serial port in mode 0)**



**Figure 12. SCDV interface to Siemens/Intel 8031 microprocessor (using one bit of parallel port as serial input)**



### Microprocessor Interface

The microprocessor interface is through the serial port, SPI port or one out of eight data bits on the eight bit parallel port and also control lines  $\overline{SDCLK}$  and  $\overline{LOAD}$ .

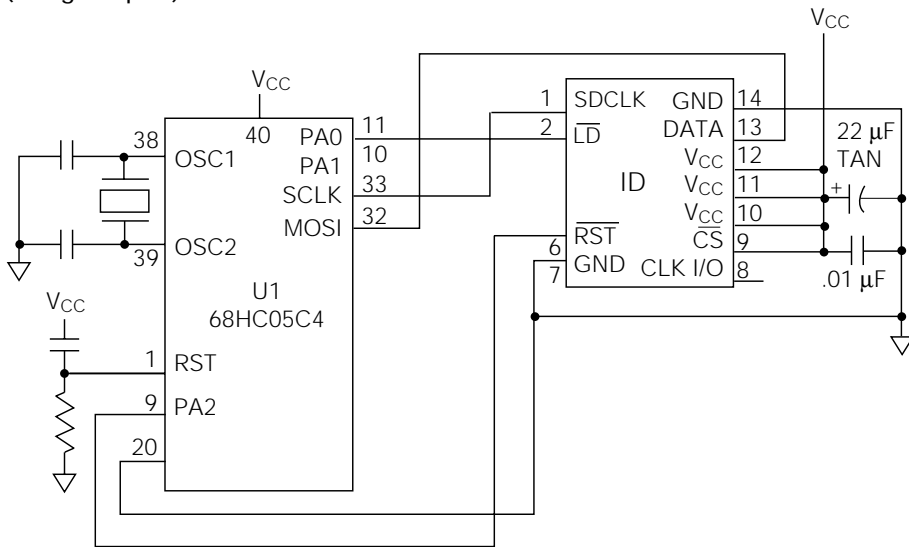
### Power Up Sequence

Upon power up display will come on at random. Thus the display should be reset at power-up. The reset will set the Address Register to Digit 0, User RAM is set to 0 (display blank) the Control Word is set to 0 (100% brightness with Lamp Test off) and the internal counters are reset.

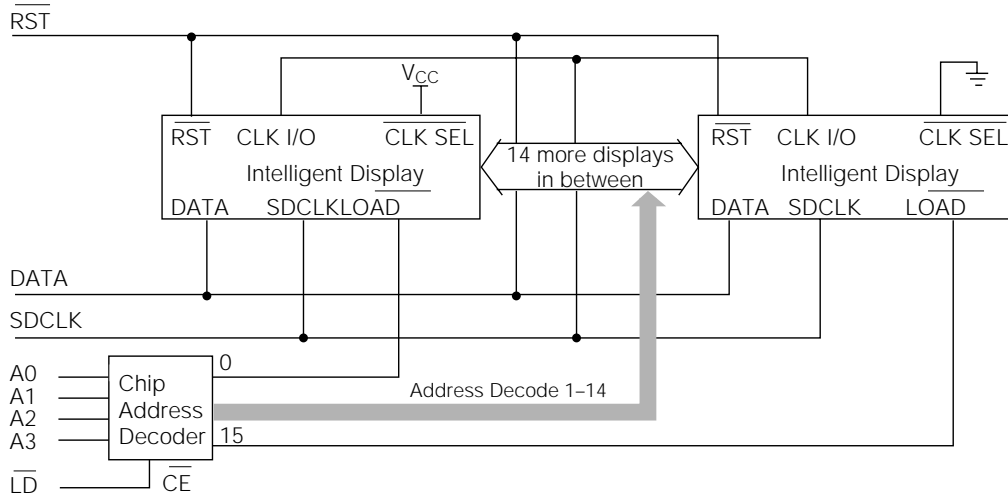
### Cascading Multiple Displays

Multiple displays can be cascaded using the  $\overline{CLK SEL}$  and CLK I/O pins as shown below. The display designated as the Master Clock source should have its  $\overline{CLK SEL}$  pin tied high and the slaves should have their  $\overline{CLK SEL}$  pins tied low. All CLK I/O pins should be tied together. One display CLK I/O can drive 15 slave CLK I/Os. Use  $\overline{RST}$  to synchronize all display counters.

**Figure 13. SCDV554X interface with Motorola 68HC05C4 microprocessor (using SPI port)**



**Figure 14. Cascading multiple displays**



## Loading Data into the Display

Use following procedure to load data into the display:

1. Power up the display.
2. Bring  $\overline{\text{RST}}$  low (600 ns duration minimum) to clear the Multiplex Counter, Address Register, Control Word Register, User Ram and Data Register. The display will be blank. Display brightness is set to 100%.
3. If a different brightness is desired, load the proper brightness opcode into the Control Word Register.
4. Load the Digit Address into the display.
5. Load display row and column data for the selected digit.
6. Repeat steps 4 and 5 for all digits.

### Data contents for the display in a vertical format “↑AB↓”

Step	D7	D6	D5	D4	D3	D2	D1	D0	Function
A	1	1	0	0	0	0	0	0	CLEAR
B(optional)	1	1	1	1	0	B	B	B	BRIGHTNESS SELECT
1	1	0	1	0	0	0	0	0	DIGIT D0 SELECT
2	0	0	0	0	0	1	0	0	ROW 0 D0 (↑)
3	0	0	1	0	1	1	1	0	ROW 1 D0 (↑)
4	0	1	0	1	0	1	0	1	ROW 2 D0 (↑)
5	0	1	1	0	0	1	0	0	ROW 3 D0 (↑)
6	1	0	0	0	0	1	0	0	ROW 4 D0 (↑)
7	1	0	1	0	0	0	0	1	DIGIT D1 SELECT
8	0	0	0	0	0	1	0	0	ROW 0 D1 (A)
9	0	0	1	0	1	0	1	0	ROW 1 D1 (A)
10	0	1	0	1	1	1	1	1	ROW 2 D1 (A)
11	0	1	1	1	0	0	0	1	ROW 3 D1 (A)
12	1	0	0	1	0	0	0	1	ROW 4 D1 (A)
13	1	0	1	0	0	0	1	0	DIGIT D2 SELECT
14	0	0	0	1	1	1	1	0	ROW 0 D2 (B)
15	0	0	1	0	1	0	0	1	ROW 1 D2 (B)
16	0	1	0	0	1	1	1	0	ROW 2 D2 (B)
17	0	1	1	0	1	0	0	1	ROW 3 D2 (B)
18	1	0	0	1	1	1	1	0	ROW 4 D2 (B)
19	1	0	1	0	0	0	1	1	DIGIT D3 SELECT
20	0	0	0	0	0	1	0	0	ROW 0 D3 (↓)
21	0	0	1	0	0	1	0	0	ROW 1 D3 (↓)
22	0	1	0	1	0	1	0	1	ROW 2 D3 (↓)
23	0	1	1	0	1	1	1	0	ROW 3 D3 (↓)
24	1	0	0	0	0	1	0	0	ROW 4 D3 (↓)

#### Note:

If the display is already reset at Power Up, there is no need for Software Clear.

User Definable Character Set Examples\*

Upper and lower case alphabets

HEX CODE		HEX CODE		HEX CODE		HEX CODE		HEX CODE		HEX CODE		HEX CODE		HEX CODE			
04	■	1E	■ ■ ■ ■	0F	■ ■ ■ ■	1E	■ ■ ■ ■	1F	■ ■ ■ ■	0F	■ ■ ■ ■	11	■ ■ ■ ■	0E	■ ■ ■ ■		
2A	■ ■ ■ ■	29	■ ■ ■ ■	30	■ ■ ■ ■	29	■ ■ ■ ■	30	■ ■ ■ ■	30	■ ■ ■ ■	31	■ ■ ■ ■	24	■ ■ ■ ■		
5F	■ ■ ■ ■	4E	■ ■ ■ ■	50	■ ■ ■ ■	49	■ ■ ■ ■	5E	■ ■ ■ ■	53	■ ■ ■ ■	5F	■ ■ ■ ■	44	■ ■ ■ ■		
71	■ ■ ■ ■	69	■ ■ ■ ■	70	■ ■ ■ ■	69	■ ■ ■ ■	70	■ ■ ■ ■	70	■ ■ ■ ■	71	■ ■ ■ ■	64	■ ■ ■ ■		
91	■ ■ ■ ■	9E	■ ■ ■ ■	8F	■ ■ ■ ■	9E	■ ■ ■ ■	9F	■ ■ ■ ■	8F	■ ■ ■ ■	91	■ ■ ■ ■	8E	■ ■ ■ ■		
01	■ ■ ■ ■	13	■ ■ ■ ■	10	■ ■ ■ ■	11	■ ■ ■ ■	11	■ ■ ■ ■	0E	■ ■ ■ ■	1E	■ ■ ■ ■	0C	■ ■ ■ ■	1E	■ ■ ■ ■
21	■ ■ ■ ■	34	■ ■ ■ ■	30	■ ■ ■ ■	3B	■ ■ ■ ■	39	■ ■ ■ ■	31	■ ■ ■ ■	31	■ ■ ■ ■	32	■ ■ ■ ■	31	■ ■ ■ ■
41	■ ■ ■ ■	58	■ ■ ■ ■	50	■ ■ ■ ■	55	■ ■ ■ ■	55	■ ■ ■ ■	51	■ ■ ■ ■	5E	■ ■ ■ ■	56	■ ■ ■ ■	5E	■ ■ ■ ■
71	■ ■ ■ ■	74	■ ■ ■ ■	70	■ ■ ■ ■	71	■ ■ ■ ■	73	■ ■ ■ ■	71	■ ■ ■ ■	70	■ ■ ■ ■	72	■ ■ ■ ■	74	■ ■ ■ ■
8E	■ ■ ■ ■	93	■ ■ ■ ■	9F	■ ■ ■ ■	91	■ ■ ■ ■	91	■ ■ ■ ■	8E	■ ■ ■ ■	90	■ ■ ■ ■	8D	■ ■ ■ ■	92	■ ■ ■ ■
0F	■ ■ ■ ■	1F	■ ■ ■ ■	11	■ ■ ■ ■	11	■ ■ ■ ■	11	■ ■ ■ ■	11	■ ■ ■ ■	11	■ ■ ■ ■	1F	■ ■ ■ ■		
30	■ ■ ■ ■	24	■ ■ ■ ■	31	■ ■ ■ ■	31	■ ■ ■ ■	31	■ ■ ■ ■	2A	■ ■ ■ ■	2A	■ ■ ■ ■	22	■ ■ ■ ■		
4E	■ ■ ■ ■	44	■ ■ ■ ■	51	■ ■ ■ ■	51	■ ■ ■ ■	55	■ ■ ■ ■	44	■ ■ ■ ■	44	■ ■ ■ ■	44	■ ■ ■ ■		
61	■ ■ ■ ■	64	■ ■ ■ ■	71	■ ■ ■ ■	6A	■ ■ ■ ■	7B	■ ■ ■ ■	6A	■ ■ ■ ■	64	■ ■ ■ ■	68	■ ■ ■ ■		
9E	■ ■ ■ ■	84	■ ■ ■ ■	8E	■ ■ ■ ■	84	■ ■ ■ ■	91	■ ■ ■ ■	91	■ ■ ■ ■	84	■ ■ ■ ■	9F	■ ■ ■ ■		
00	■ ■ ■ ■	10	■ ■ ■ ■	00	■ ■ ■ ■	01	■ ■ ■ ■	00	■ ■ ■ ■	04	■ ■ ■ ■	00	■ ■ ■ ■	10	■ ■ ■ ■	04	■ ■ ■ ■
2E	■ ■ ■ ■	30	■ ■ ■ ■	2F	■ ■ ■ ■	21	■ ■ ■ ■	2E	■ ■ ■ ■	2A	■ ■ ■ ■	2F	■ ■ ■ ■	30	■ ■ ■ ■	20	■ ■ ■ ■
52	■ ■ ■ ■	5E	■ ■ ■ ■	50	■ ■ ■ ■	4F	■ ■ ■ ■	5F	■ ■ ■ ■	48	■ ■ ■ ■	50	■ ■ ■ ■	56	■ ■ ■ ■	4C	■ ■ ■ ■
72	■ ■ ■ ■	71	■ ■ ■ ■	70	■ ■ ■ ■	71	■ ■ ■ ■	70	■ ■ ■ ■	7C	■ ■ ■ ■	73	■ ■ ■ ■	79	■ ■ ■ ■	64	■ ■ ■ ■
8D	■ ■ ■ ■	9E	■ ■ ■ ■	8F	■ ■ ■ ■	8F	■ ■ ■ ■	8E	■ ■ ■ ■	88	■ ■ ■ ■	8F	■ ■ ■ ■	91	■ ■ ■ ■	8E	■ ■ ■ ■
00	■ ■ ■ ■	10	■ ■ ■ ■	0C	■ ■ ■ ■	00	■ ■ ■ ■	00	■ ■ ■ ■	00	■ ■ ■ ■	00	■ ■ ■ ■	00	■ ■ ■ ■	00	■ ■ ■ ■
26	■ ■ ■ ■	30	■ ■ ■ ■	24	■ ■ ■ ■	2A	■ ■ ■ ■	36	■ ■ ■ ■	2E	■ ■ ■ ■	3E	■ ■ ■ ■	2F	■ ■ ■ ■	33	■ ■ ■ ■
42	■ ■ ■ ■	56	■ ■ ■ ■	44	■ ■ ■ ■	55	■ ■ ■ ■	59	■ ■ ■ ■	51	■ ■ ■ ■	51	■ ■ ■ ■	51	■ ■ ■ ■	54	■ ■ ■ ■
72	■ ■ ■ ■	78	■ ■ ■ ■	64	■ ■ ■ ■	71	■ ■ ■ ■	71	■ ■ ■ ■	71	■ ■ ■ ■	7E	■ ■ ■ ■	6F	■ ■ ■ ■	78	■ ■ ■ ■
8C	■ ■ ■ ■	96	■ ■ ■ ■	8E	■ ■ ■ ■	91	■ ■ ■ ■	91	■ ■ ■ ■	8E	■ ■ ■ ■	90	■ ■ ■ ■	81	■ ■ ■ ■	90	■ ■ ■ ■
00	■ ■ ■ ■	08	■ ■ ■ ■	00	■ ■ ■ ■	00	■ ■ ■ ■	00	■ ■ ■ ■	00	■ ■ ■ ■	00	■ ■ ■ ■	00	■ ■ ■ ■		
23	■ ■ ■ ■	3C	■ ■ ■ ■	32	■ ■ ■ ■	31	■ ■ ■ ■	31	■ ■ ■ ■	31	■ ■ ■ ■	31	■ ■ ■ ■	3E	■ ■ ■ ■		
44	■ ■ ■ ■	48	■ ■ ■ ■	52	■ ■ ■ ■	51	■ ■ ■ ■	55	■ ■ ■ ■	4C	■ ■ ■ ■	4A	■ ■ ■ ■	44	■ ■ ■ ■		
62	■ ■ ■ ■	6A	■ ■ ■ ■	72	■ ■ ■ ■	6A	■ ■ ■ ■	7B	■ ■ ■ ■	6C	■ ■ ■ ■	64	■ ■ ■ ■	68	■ ■ ■ ■		
8C	■ ■ ■ ■	84	■ ■ ■ ■	8D	■ ■ ■ ■	84	■ ■ ■ ■	91	■ ■ ■ ■	92	■ ■ ■ ■	98	■ ■ ■ ■	9E	■ ■ ■ ■		

DOT ON = 1  
DOT OFF = 0

Numerals and punctuation

HEX CODE		HEX CODE		HEX CODE		HEX CODE		HEX CODE		HEX CODE		HEX CODE		HEX CODE			
0E	■ ■ ■ ■	04	■ ■ ■ ■	1E	■ ■ ■ ■	1E	■ ■ ■ ■	06	■ ■ ■ ■	1F	■ ■ ■ ■	06	■ ■ ■ ■	1F	■ ■ ■ ■	0E	■ ■ ■ ■
33	■ ■ ■ ■	2C	■ ■ ■ ■	21	■ ■ ■ ■	21	■ ■ ■ ■	2A	■ ■ ■ ■	30	■ ■ ■ ■	28	■ ■ ■ ■	22	■ ■ ■ ■	31	■ ■ ■ ■
55	■ ■ ■ ■	44	■ ■ ■ ■	46	■ ■ ■ ■	4E	■ ■ ■ ■	5F	■ ■ ■ ■	5E	■ ■ ■ ■	5E	■ ■ ■ ■	44	■ ■ ■ ■	4E	■ ■ ■ ■
79	■ ■ ■ ■	64	■ ■ ■ ■	68	■ ■ ■ ■	61	■ ■ ■ ■	62	■ ■ ■ ■	61	■ ■ ■ ■	71	■ ■ ■ ■	68	■ ■ ■ ■	71	■ ■ ■ ■
8E	■ ■ ■ ■	8E	■ ■ ■ ■	9F	■ ■ ■ ■	9E	■ ■ ■ ■	82	■ ■ ■ ■	9E	■ ■ ■ ■	8E	■ ■ ■ ■	88	■ ■ ■ ■	8E	■ ■ ■ ■
0E	■ ■ ■ ■	0A	■ ■ ■ ■	0F	■ ■ ■ ■	06	■ ■ ■ ■	19	■ ■ ■ ■	08	■ ■ ■ ■	0C	■ ■ ■ ■	02	■ ■ ■ ■	08	■ ■ ■ ■
31	■ ■ ■ ■	3F	■ ■ ■ ■	34	■ ■ ■ ■	29	■ ■ ■ ■	3A	■ ■ ■ ■	34	■ ■ ■ ■	2C	■ ■ ■ ■	24	■ ■ ■ ■	24	■ ■ ■ ■
4F	■ ■ ■ ■	4A	■ ■ ■ ■	4E	■ ■ ■ ■	5C	■ ■ ■ ■	44	■ ■ ■ ■	4D	■ ■ ■ ■	44	■ ■ ■ ■	44	■ ■ ■ ■	44	■ ■ ■ ■
62	■ ■ ■ ■	7F	■ ■ ■ ■	65	■ ■ ■ ■	68	■ ■ ■ ■	6B	■ ■ ■ ■	72	■ ■ ■ ■	68	■ ■ ■ ■	64	■ ■ ■ ■	64	■ ■ ■ ■
8C	■ ■ ■ ■	8A	■ ■ ■ ■	9E	■ ■ ■ ■	9F	■ ■ ■ ■	93	■ ■ ■ ■	8D	■ ■ ■ ■	80	■ ■ ■ ■	82	■ ■ ■ ■	88	■ ■ ■ ■
0C	■ ■ ■ ■	04	■ ■ ■ ■	00	■ ■ ■ ■	00	■ ■ ■ ■	00	■ ■ ■ ■	01	■ ■ ■ ■	04	■ ■ ■ ■	0A	■ ■ ■ ■	07	■ ■ ■ ■
2C	■ ■ ■ ■	24	■ ■ ■ ■	2C	■ ■ ■ ■	20	■ ■ ■ ■	20	■ ■ ■ ■	22	■ ■ ■ ■	24	■ ■ ■ ■	2A	■ ■ ■ ■	24	■ ■ ■ ■
48	■ ■ ■ ■	5F	■ ■ ■ ■	4C	■ ■ ■ ■	5F	■ ■ ■ ■	40	■ ■ ■ ■	44	■ ■ ■ ■	44	■ ■ ■ ■	40	■ ■ ■ ■	44	■ ■ ■ ■
64	■ ■ ■ ■	64	■ ■ ■ ■	64	■ ■ ■ ■	60	■ ■ ■ ■	6C	■ ■ ■ ■	68	■ ■ ■ ■	60	■ ■ ■ ■	60	■ ■ ■ ■	64	■ ■ ■ ■
80	■ ■ ■ ■	84	■ ■ ■ ■	88	■ ■ ■ ■	80	■ ■ ■ ■	8C	■ ■ ■ ■	90	■ ■ ■ ■	84	■ ■ ■ ■	80	■ ■ ■ ■	87	■ ■ ■ ■
10	■ ■ ■ ■	1C	■ ■ ■ ■	0E	■ ■ ■ ■	00	■ ■ ■ ■	0C	■ ■ ■ ■	0C	■ ■ ■ ■	02	■ ■ ■ ■	00	■ ■ ■ ■	08	■ ■ ■ ■
28	■ ■ ■ ■	24	■ ■ ■ ■	35	■ ■ ■ ■	20	■ ■ ■ ■	2C	■ ■ ■ ■	20	■ ■ ■ ■	24	■ ■ ■ ■	3F	■ ■ ■ ■	24	■ ■ ■ ■
44	■ ■ ■ ■	44	■ ■ ■ ■	57	■ ■ ■ ■	40	■ ■ ■ ■	40	■ ■ ■ ■	4C	■ ■ ■ ■	48	■ ■ ■ ■	40	■ ■ ■ ■	42	■ ■ ■ ■
62	■ ■ ■ ■	64	■ ■ ■ ■	70	■ ■ ■ ■	60	■ ■ ■ ■	6C	■ ■ ■ ■	64	■ ■ ■ ■	64	■ ■ ■ ■	7F	■ ■ ■ ■	64	■ ■ ■ ■
81	■ ■ ■ ■	9C	■ ■ ■ ■	8E	■ ■ ■ ■	9F	■ ■ ■ ■	8C	■ ■ ■ ■	88	■ ■ ■ ■	82	■ ■ ■ ■	80	■ ■ ■ ■	88	■ ■ ■ ■
0E	■ ■ ■ ■	06	■ ■ ■ ■	0C	■ ■ ■ ■	04	■ ■ ■ ■	11	■ ■ ■ ■	15	■ ■ ■ ■	04	■ ■ ■ ■	08	■ ■ ■ ■		
31	■ ■ ■ ■	24	■ ■ ■ ■	24	■ ■ ■ ■	24	■ ■ ■ ■	2A	■ ■ ■ ■	2E	■ ■ ■ ■	2A	■ ■ ■ ■	35	■ ■ ■ ■		
42	■ ■ ■ ■	48	■ ■ ■ ■	42	■ ■ ■ ■	40	■ ■ ■ ■	44	■ ■ ■ ■	5F	■ ■ ■ ■	51	■ ■ ■ ■	42	■ ■ ■ ■		
64	■ ■ ■ ■	64	■ ■ ■ ■	64	■ ■ ■ ■	64	■ ■ ■ ■	6E	■ ■ ■ ■	6E	■ ■ ■ ■	60	■ ■ ■ ■	60	■ ■ ■ ■		
88	■ ■ ■ ■	86	■ ■ ■ ■	8C	■ ■ ■ ■	84	■ ■ ■ ■	84	■ ■ ■ ■	95	■ ■ ■ ■	80	■ ■ ■ ■	80	■ ■ ■ ■		

DOT ON = 1  
DOT OFF = 0

\*CAUTION: No more than 128 LEDs "on" at one time at 100% brightness.

User Definable Character Set Examples\* (continued)

Scientific notations, etc.

HEX CODE		HEX CODE		HEX CODE		HEX CODE		HEX CODE		HEX CODE		HEX CODE		HEX CODE	
06	■ ■ ■ ■	04	■ ■ ■ ■	1F	■ ■ ■ ■	1F	■ ■ ■ ■	0E	■ ■ ■ ■	0D	■ ■ ■ ■	0C	■ ■ ■ ■	0E	■ ■ ■ ■
2E	■ ■ ■ ■	24	■ ■ ■ ■	20	■ ■ ■ ■	20	■ ■ ■ ■	20	■ ■ ■ ■	32	■ ■ ■ ■	32	■ ■ ■ ■	24	■ ■ ■ ■
5E	■ ■ ■ ■	48	■ ■ ■ ■	59	■ ■ ■ ■	56	■ ■ ■ ■	4A	■ ■ ■ ■	52	■ ■ ■ ■	56	■ ■ ■ ■	4E	■ ■ ■ ■
6E	■ ■ ■ ■	71	■ ■ ■ ■	75	■ ■ ■ ■	79	■ ■ ■ ■	64	■ ■ ■ ■	72	■ ■ ■ ■	71	■ ■ ■ ■	71	■ ■ ■ ■
86	■ ■ ■ ■	8E	■ ■ ■ ■	93	■ ■ ■ ■	91	■ ■ ■ ■	8A	■ ■ ■ ■	8D	■ ■ ■ ■	96	■ ■ ■ ■	8E	■ ■ ■ ■
10	■ ■ ■ ■	0E	■ ■ ■ ■	10	■ ■ ■ ■	09	■ ■ ■ ■	01	■ ■ ■ ■	04	■ ■ ■ ■	0E	■ ■ ■ ■	01	■ ■ ■ ■
3C	■ ■ ■ ■	31	■ ■ ■ ■	28	■ ■ ■ ■	29	■ ■ ■ ■	2E	■ ■ ■ ■	2E	■ ■ ■ ■	31	■ ■ ■ ■	2E	■ ■ ■ ■
52	■ ■ ■ ■	5F	■ ■ ■ ■	44	■ ■ ■ ■	49	■ ■ ■ ■	54	■ ■ ■ ■	55	■ ■ ■ ■	51	■ ■ ■ ■	5A	■ ■ ■ ■
72	■ ■ ■ ■	71	■ ■ ■ ■	6A	■ ■ ■ ■	6E	■ ■ ■ ■	64	■ ■ ■ ■	6E	■ ■ ■ ■	6A	■ ■ ■ ■	6A	■ ■ ■ ■
81	■ ■ ■ ■	8E	■ ■ ■ ■	91	■ ■ ■ ■	90	■ ■ ■ ■	84	■ ■ ■ ■	84	■ ■ ■ ■	9B	■ ■ ■ ■	8A	■ ■ ■ ■
1F	■ ■ ■ ■	18	■ ■ ■ ■	1C	■ ■ ■ ■	12	■ ■ ■ ■	06	■ ■ ■ ■	07	■ ■ ■ ■	1C	■ ■ ■ ■	0F	■ ■ ■ ■
28	■ ■ ■ ■	24	■ ■ ■ ■	28	■ ■ ■ ■	36	■ ■ ■ ■	21	■ ■ ■ ■	22	■ ■ ■ ■	34	■ ■ ■ ■	28	■ ■ ■ ■
44	■ ■ ■ ■	48	■ ■ ■ ■	44	■ ■ ■ ■	5A	■ ■ ■ ■	5A	■ ■ ■ ■	59	■ ■ ■ ■	5C	■ ■ ■ ■	48	■ ■ ■ ■
68	■ ■ ■ ■	7C	■ ■ ■ ■	78	■ ■ ■ ■	67	■ ■ ■ ■	67	■ ■ ■ ■	66	■ ■ ■ ■	60	■ ■ ■ ■	78	■ ■ ■ ■
9F	■ ■ ■ ■	80	■ ■ ■ ■	80	■ ■ ■ ■	80	■ ■ ■ ■	80	■ ■ ■ ■	80	■ ■ ■ ■	80	■ ■ ■ ■	88	■ ■ ■ ■
00	■ ■ ■ ■	00	■ ■ ■ ■	0E	■ ■ ■ ■	04	■ ■ ■ ■	04	■ ■ ■ ■	0E	■ ■ ■ ■	00	■ ■ ■ ■	04	■ ■ ■ ■
24	■ ■ ■ ■	2E	■ ■ ■ ■	3F	■ ■ ■ ■	3E	■ ■ ■ ■	2F	■ ■ ■ ■	2E	■ ■ ■ ■	3F	■ ■ ■ ■	2E	■ ■ ■ ■
4E	■ ■ ■ ■	5F	■ ■ ■ ■	4E	■ ■ ■ ■	5F	■ ■ ■ ■	5F	■ ■ ■ ■	4E	■ ■ ■ ■	5F	■ ■ ■ ■	55	■ ■ ■ ■
7F	■ ■ ■ ■	6E	■ ■ ■ ■	64	■ ■ ■ ■	7E	■ ■ ■ ■	6F	■ ■ ■ ■	6E	■ ■ ■ ■	7F	■ ■ ■ ■	64	■ ■ ■ ■
8E	■ ■ ■ ■	84	■ ■ ■ ■	80	■ ■ ■ ■	84	■ ■ ■ ■	84	■ ■ ■ ■	8E	■ ■ ■ ■	80	■ ■ ■ ■	84	■ ■ ■ ■
04	■ ■ ■ ■	04	■ ■ ■ ■	1F	■ ■ ■ ■	08	■ ■ ■ ■	0A	■ ■ ■ ■	15	■ ■ ■ ■	1F	■ ■ ■ ■	00	■ ■ ■ ■
22	■ ■ ■ ■	28	■ ■ ■ ■	31	■ ■ ■ ■	2C	■ ■ ■ ■	35	■ ■ ■ ■	2A	■ ■ ■ ■	35	■ ■ ■ ■	3F	■ ■ ■ ■
5F	■ ■ ■ ■	5F	■ ■ ■ ■	51	■ ■ ■ ■	4A	■ ■ ■ ■	4A	■ ■ ■ ■	55	■ ■ ■ ■	5F	■ ■ ■ ■	5F	■ ■ ■ ■
62	■ ■ ■ ■	68	■ ■ ■ ■	71	■ ■ ■ ■	78	■ ■ ■ ■	75	■ ■ ■ ■	6A	■ ■ ■ ■	75	■ ■ ■ ■	7C	■ ■ ■ ■
84	■ ■ ■ ■	84	■ ■ ■ ■	9F	■ ■ ■ ■	98	■ ■ ■ ■	8A	■ ■ ■ ■	95	■ ■ ■ ■	9F	■ ■ ■ ■	80	■ ■ ■ ■
00	■ ■ ■ ■	00	■ ■ ■ ■	00	■ ■ ■ ■	00	■ ■ ■ ■	00	■ ■ ■ ■	0C	■ ■ ■ ■	15	■ ■ ■ ■		
27	■ ■ ■ ■	3C	■ ■ ■ ■	20	■ ■ ■ ■	20	■ ■ ■ ■	23	■ ■ ■ ■	3C	■ ■ ■ ■	2E	■ ■ ■ ■		
4F	■ ■ ■ ■	5F	■ ■ ■ ■	40	■ ■ ■ ■	40	■ ■ ■ ■	5F	■ ■ ■ ■	5C	■ ■ ■ ■	44	■ ■ ■ ■		
78	■ ■ ■ ■	63	■ ■ ■ ■	60	■ ■ ■ ■	67	■ ■ ■ ■	7F	■ ■ ■ ■	7C	■ ■ ■ ■	64	■ ■ ■ ■		
9C	■ ■ ■ ■	87	■ ■ ■ ■	83	■ ■ ■ ■	9F	■ ■ ■ ■	9F	■ ■ ■ ■	9C	■ ■ ■ ■	84	■ ■ ■ ■		

DOT ON = 1  
DOT OFF = 0

Foreign characters

HEX CODE		HEX CODE		HEX CODE		HEX CODE		HEX CODE		HEX CODE		HEX CODE		HEX CODE	
1F	■ ■ ■ ■	1F	■ ■ ■ ■	01	■ ■ ■ ■	04	■ ■ ■ ■	00	■ ■ ■ ■	02	■ ■ ■ ■	08	■ ■ ■ ■	1F	■ ■ ■ ■
21	■ ■ ■ ■	21	■ ■ ■ ■	22	■ ■ ■ ■	3F	■ ■ ■ ■	3F	■ ■ ■ ■	3F	■ ■ ■ ■	3F	■ ■ ■ ■	21	■ ■ ■ ■
5F	■ ■ ■ ■	46	■ ■ ■ ■	46	■ ■ ■ ■	51	■ ■ ■ ■	44	■ ■ ■ ■	46	■ ■ ■ ■	49	■ ■ ■ ■	45	■ ■ ■ ■
62	■ ■ ■ ■	64	■ ■ ■ ■	6A	■ ■ ■ ■	61	■ ■ ■ ■	64	■ ■ ■ ■	6A	■ ■ ■ ■	6A	■ ■ ■ ■	67	■ ■ ■ ■
84	■ ■ ■ ■	88	■ ■ ■ ■	82	■ ■ ■ ■	86	■ ■ ■ ■	9F	■ ■ ■ ■	92	■ ■ ■ ■	88	■ ■ ■ ■	8C	■ ■ ■ ■
08	■ ■ ■ ■	04	■ ■ ■ ■	0F	■ ■ ■ ■	08	■ ■ ■ ■	0F	■ ■ ■ ■	0A	■ ■ ■ ■	19	■ ■ ■ ■	0F	■ ■ ■ ■
3F	■ ■ ■ ■	3F	■ ■ ■ ■	29	■ ■ ■ ■	2F	■ ■ ■ ■	21	■ ■ ■ ■	3F	■ ■ ■ ■	21	■ ■ ■ ■	29	■ ■ ■ ■
49	■ ■ ■ ■	44	■ ■ ■ ■	51	■ ■ ■ ■	52	■ ■ ■ ■	41	■ ■ ■ ■	4A	■ ■ ■ ■	59	■ ■ ■ ■	55	■ ■ ■ ■
69	■ ■ ■ ■	7F	■ ■ ■ ■	62	■ ■ ■ ■	62	■ ■ ■ ■	61	■ ■ ■ ■	62	■ ■ ■ ■	62	■ ■ ■ ■	63	■ ■ ■ ■
92	■ ■ ■ ■	84	■ ■ ■ ■	8C	■ ■ ■ ■	82	■ ■ ■ ■	9F	■ ■ ■ ■	8C	■ ■ ■ ■	9C	■ ■ ■ ■	8C	■ ■ ■ ■
15	■ ■ ■ ■	0E	■ ■ ■ ■	08	■ ■ ■ ■	04	■ ■ ■ ■	0E	■ ■ ■ ■	1F	■ ■ ■ ■	04	■ ■ ■ ■	04	■ ■ ■ ■
35	■ ■ ■ ■	20	■ ■ ■ ■	28	■ ■ ■ ■	3F	■ ■ ■ ■	20	■ ■ ■ ■	21	■ ■ ■ ■	3E	■ ■ ■ ■	24	■ ■ ■ ■
55	■ ■ ■ ■	5F	■ ■ ■ ■	4C	■ ■ ■ ■	44	■ ■ ■ ■	40	■ ■ ■ ■	4A	■ ■ ■ ■	44	■ ■ ■ ■	44	■ ■ ■ ■
62	■ ■ ■ ■	64	■ ■ ■ ■	6A	■ ■ ■ ■	64	■ ■ ■ ■	60	■ ■ ■ ■	64	■ ■ ■ ■	6E	■ ■ ■ ■	68	■ ■ ■ ■
8C	■ ■ ■ ■	98	■ ■ ■ ■	88	■ ■ ■ ■	98	■ ■ ■ ■	9F	■ ■ ■ ■	9A	■ ■ ■ ■	95	■ ■ ■ ■	90	■ ■ ■ ■
10	■ ■ ■ ■	1F	■ ■ ■ ■	0E	■ ■ ■ ■	04	■ ■ ■ ■	01	■ ■ ■ ■	1F	■ ■ ■ ■	1E	■ ■ ■ ■	1F	■ ■ ■ ■
3F	■ ■ ■ ■	21	■ ■ ■ ■	20	■ ■ ■ ■	28	■ ■ ■ ■	21	■ ■ ■ ■	28	■ ■ ■ ■	22	■ ■ ■ ■	21	■ ■ ■ ■
50	■ ■ ■ ■	41	■ ■ ■ ■	4E	■ ■ ■ ■	51	■ ■ ■ ■	4A	■ ■ ■ ■	5F	■ ■ ■ ■	42	■ ■ ■ ■	5F	■ ■ ■ ■
70	■ ■ ■ ■	62	■ ■ ■ ■	60	■ ■ ■ ■	7F	■ ■ ■ ■	64	■ ■ ■ ■	68	■ ■ ■ ■	62	■ ■ ■ ■	61	■ ■ ■ ■
8F	■ ■ ■ ■	8C	■ ■ ■ ■	8F	■ ■ ■ ■	81	■ ■ ■ ■	8A	■ ■ ■ ■	87	■ ■ ■ ■	9F	■ ■ ■ ■	9F	■ ■ ■ ■
12	■ ■ ■ ■	04	■ ■ ■ ■	1E	■ ■ ■ ■	0F	■ ■ ■ ■	0F	■ ■ ■ ■	0F	■ ■ ■ ■	0F	■ ■ ■ ■	00	■ ■ ■ ■
32	■ ■ ■ ■	34	■ ■ ■ ■	25	■ ■ ■ ■	34	■ ■ ■ ■	30	■ ■ ■ ■	33	■ ■ ■ ■	34	■ ■ ■ ■	2A	■ ■ ■ ■
52	■ ■ ■ ■	54	■ ■ ■ ■	4F	■ ■ ■ ■	5F	■ ■ ■ ■	4F	■ ■ ■ ■	55	■ ■ ■ ■	57	■ ■ ■ ■	5F	■ ■ ■ ■
64	■ ■ ■ ■	75	■ ■ ■ ■	74	■ ■ ■ ■	74	■ ■ ■ ■	64	■ ■ ■ ■	79	■ ■ ■ ■	74	■ ■ ■ ■	74	■ ■ ■ ■
88	■ ■ ■ ■	96	■ ■ ■ ■	8F	■ ■ ■ ■	97	■ ■ ■ ■	98	■ ■ ■ ■	9E	■ ■ ■ ■	8F	■ ■ ■ ■	8B	■ ■ ■ ■
0A	■ ■ ■ ■	02	■ ■ ■ ■	04	■ ■ ■ ■	0A	■ ■ ■ ■	08	■ ■ ■ ■	02	■ ■ ■ ■	04	■ ■ ■ ■		
2E	■ ■ ■ ■	24	■ ■ ■ ■	2A	■ ■ ■ ■	34	■ ■ ■ ■	24	■ ■ ■ ■	24	■ ■ ■ ■	2A	■ ■ ■ ■		
51	■ ■ ■ ■	4C	■ ■ ■ ■	4E	■ ■ ■ ■	52	■ ■ ■ ■	51	■ ■ ■ ■	51	■ ■ ■ ■	51	■ ■ ■ ■		
7F	■ ■ ■ ■	64	■ ■ ■ ■	71	■ ■ ■ ■	7A	■ ■ ■ ■	71	■ ■ ■ ■	71	■ ■ ■ ■	71	■ ■ ■ ■		
91	■ ■ ■ ■	8E	■ ■ ■ ■	8E	■ ■ ■ ■	96	■ ■ ■ ■	8E	■ ■ ■ ■	8E	■ ■ ■ ■	8E	■ ■ ■ ■		

DOT ON = 1  
DOT OFF = 0

\*CAUTION: No more than 128 LEDs "on" at one time at 100% brightness.