

TOSHIBA PHOTOINTERRUPTER INFRARED LED + PHOTO IC

TLP1025

STILL CAMERA

VIDEO CAMERA

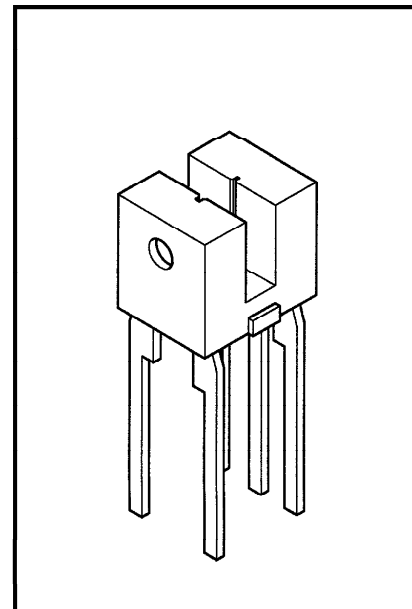
SMALL-SIZED PERSONAL OA EQUIPMENT

The TLP1025 photointerrupter with digital output combines a GaAs infrared LED and a high-sensitivity, high-gain Si photo IC into a single chip.

It has a narrow slit width and provides high resolution.

Thanks to its built-in Schmitt trigger circuit, the TLP1025 can be coupled directly with a microcomputer or logic IC. It outputs a high when light is blocked.

- Very small package
- Printed circuit board direct mounting type
- Gap : 1mm
- High resolution : Slit width 0.15mm (infrared LED side)
0.1mm (photo IC side)
- Digital output (open collector)
- Built-in Schmitt trigger circuit for direct coupling with logic IC
- Low-voltage operation : $V_{CC}=2.4\sim 7V$
- High response speed



JEDEC	—
EIAJ	—
TOSHIBA	11-14G1

Weight : 0.09g (typ.)

MAXIMUM RATINGS (Ta = 25°C)

CHARACTERISTIC		SYMBOL	RATING	UNIT
LED	Forward Current	I_F	50	mA
	Forward Current Derating (Ta ≥ 25°C)	$I_F / ^\circ C$	-0.66	mA / °C
	Reverse Voltage	V_R	5	V
DETECTOR	Supply Voltage	V_{CC}	7	V
	Output Voltage	V_O	7	V
	Output Current	I_{OL}	10	mA
Operating Temperature		T_{opr}	-25~85	°C
Storage Temperature		T_{stg}	-40~100	°C
Soldering Temperature (5s) (Note 1)		T_{sol}	260	°C

Note 1 : At the location of 1.5mm from the resin package bottom

961001EBC2

- TOSHIBA is continually working to improve the quality and the reliability of its products. Nevertheless, semiconductor devices in general can malfunction or fail due to their inherent electrical sensitivity and vulnerability to physical stress. It is the responsibility of the buyer, when utilizing TOSHIBA products, to observe standards of safety, and to avoid situations in which a malfunction or failure of a TOSHIBA product could cause loss of human life, bodily injury or damage to property. In developing your designs, please ensure that TOSHIBA products are used within specified operating ranges as set forth in the most recent products specifications. Also, please keep in mind the precautions and conditions set forth in the TOSHIBA Semiconductor Reliability Handbook.
- Gallium arsenide (GaAs) is a substance used in the products described in this document. GaAs dust and fumes are toxic. Do not break, cut or pulverize the product, or use chemicals to dissolve them. When disposing of the products, follow the appropriate regulations. Do not dispose of the products with other industrial waste or with domestic garbage.
- The products described in this document are subject to foreign exchange and foreign trade control laws.
- The information contained herein is presented only as a guide for the applications of our products. No responsibility is assumed by TOSHIBA CORPORATION for any infringements of intellectual property or other rights of the third parties which may result from its use. No license is granted by implication or otherwise under any intellectual property or other rights of TOSHIBA CORPORATION or others.
- The information contained herein is subject to change without notice.

RECOMMENDED OPERATING CONDITIONS

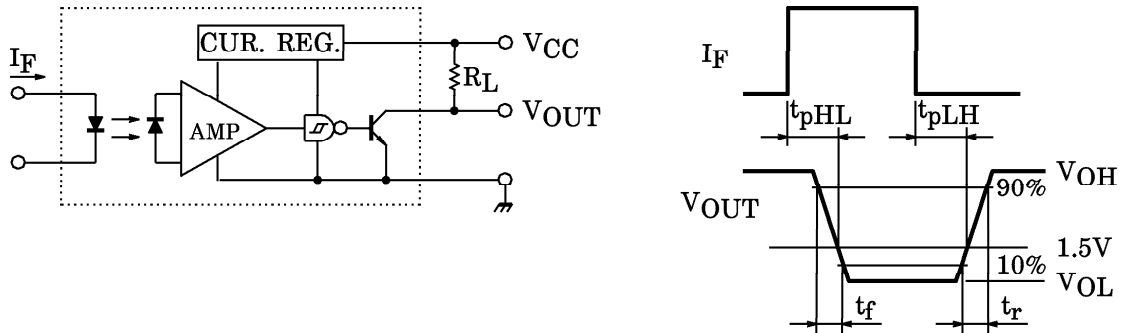
CHARACTERISTIC	SYMBOL	MIN.	TYP.	MAX.	UNIT
Forward Current	I _F	12*	—	20	mA
Supply Voltage	V _{CC}	2.4	—	7	V
Output Voltage	V _O	—	—	7	V
Low Level Output Current	I _{O_L}	—	—	10	mA

* 12mA is a value when 50% LED deterioration is taken into consideration. Initial threshold input current shall be 6mA max

OPTO ELECTRICAL CHARACTERISTICS (T_a = -25°C~85°C, V_{CC} = 2.4~7V, Typical values are all at 25°C)

CHARACTERISTIC		SYMBOL	TEST CONDITION	MIN.	TYP.	MAX.	UNIT
LED	Forward Voltage	V _F	I _F = 10mA, T _a = 25°C	1.0	1.15	1.3	V
	Reverse Current	I _R	V _R = 5V, T _a = 25°C	—	0.01	10	μA
	Peak Emission Wavelength	λ _P	I _F = 10mA	—	940	—	nm
DETECTOR	Supply Voltage	V _{CC}	—	2.4	—	7	V
	Low Level Supply Current	I _{CCL}	I _F = 10mA	—	1.0	3.5	mA
	High Level Supply Current	I _{CCH}		—	1.3	3.2	mA
	Low Level Output Voltage	V _{OL}	I _F = 10mA, I _{O_L} = 10mA	—	0.06	0.4	V
	High Level Output Current	I _{OH}	V _O = 7V	—	—	30	μA
	Peak Sensitivity Wavelength	λ _P	T _a = 25°C	—	870	—	nm
	Threshold Input Current (H→L)	I _{FHL}		—	—	6	mA
Hysteresis Ratio		I _{FHL} / I _{FLH}	T _a = 25°C	—	1.25	—	—
COUPLED	Switching Time	Propagation Delay Time (H→L)	I _F = 10mA, R _L = 750Ω, T _a = 25°C (Note 2)	—	4	—	μs
		Propagation Delay Time (L→H)		—	26	—	
		Rise Time		—	0.07	—	
		Fall Time		—	0.08	—	

Note 2 : Switching time measurement circuit and waveform



PRECAUTIONS

- When removing flux with chemicals after soldering, clean only the leads on the soldering side; do not dip the whole package for cleaning. Chemicals remaining on an LED or photo IC light emitter or receiver, if any, would have a bad influence to the optical characteristics and it may severely higher the threshold input current.
- The environment to install the device should be determined carefully. Oil or chemicals may cause the package to be dissolved or cracked.
- The device should be mounted on an unwarped surface.
- The photo IC contains a high-sensitivity amp. Toshiba recommends that a capacitor of approximately $0.01\mu F$ with good high frequency characteristics be inserted between V_{CC} and GND near the device to prevent unwanted oscillation.
- The threshold input current increases with time as the power to the infrared LED is turned on repeatedly over time. Therefore, fully consider the change of the device's characteristics with the passage of time when designing your circuit.
- Note that the device's output changes state for a $100\mu s$ period after it is powered on until the internal circuit is stabilized.
- Stress causing the package deformation or deterioration should not be given to the package.

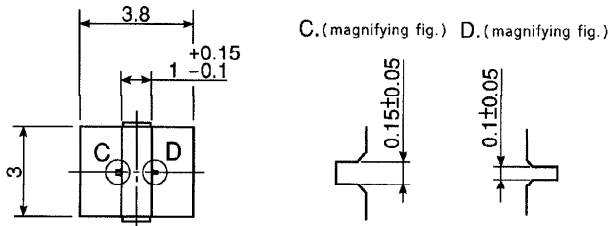
OUTLINE

Unit : mm

Tolerance : ± 0.2 mm unless otherwise specified

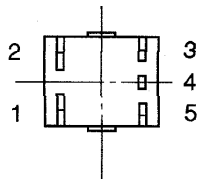
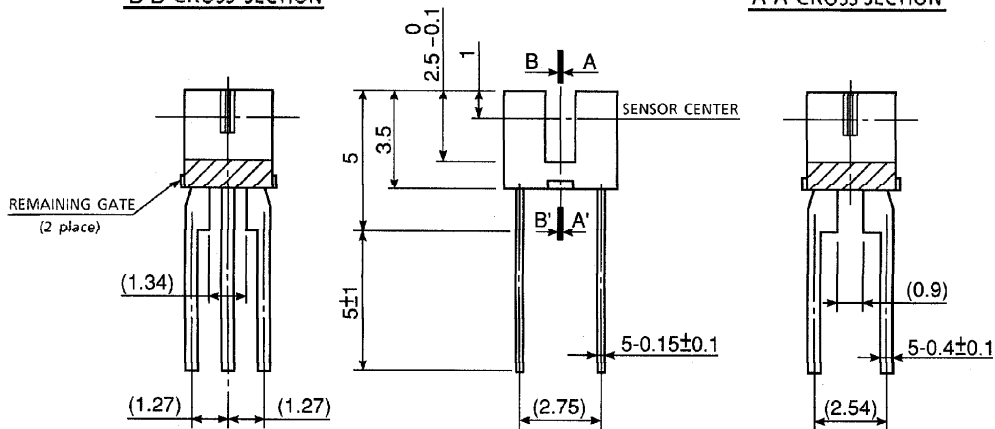
Values in parentheses () are for reference.

The remaining gate should be 0.2mm or less.



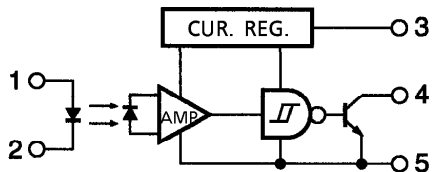
B-B' CROSS SECTION

A-A' CROSS SECTION

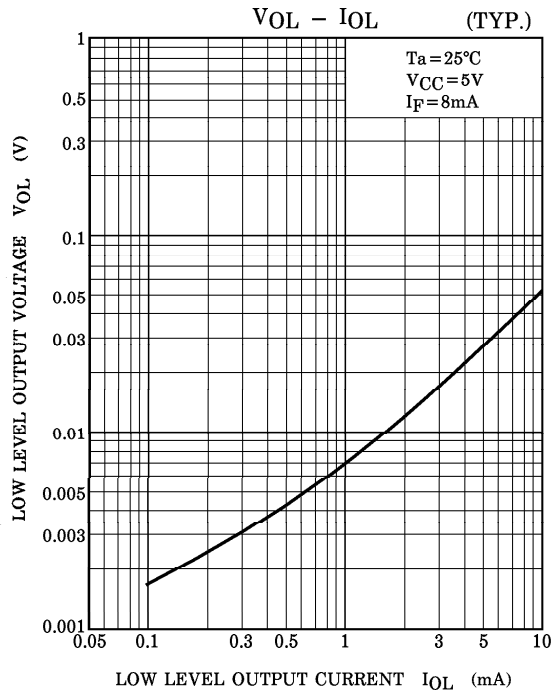
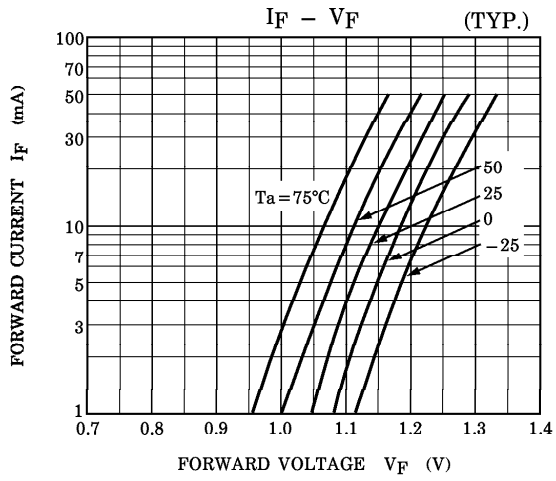
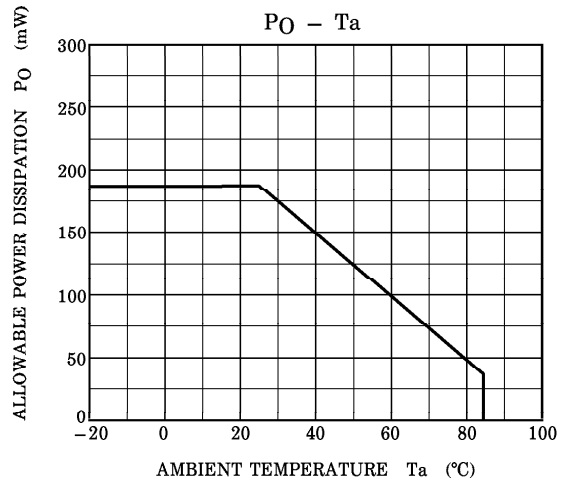
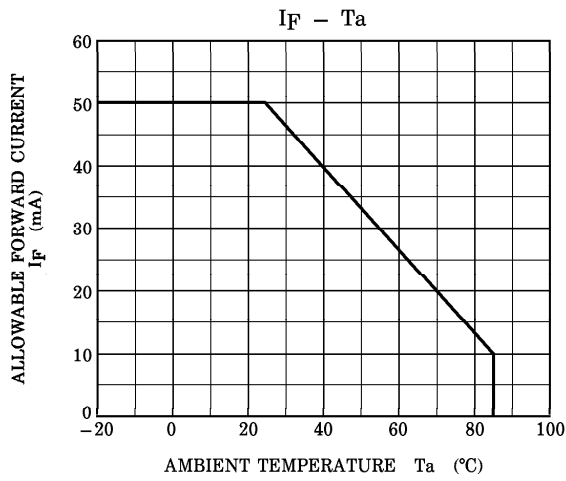


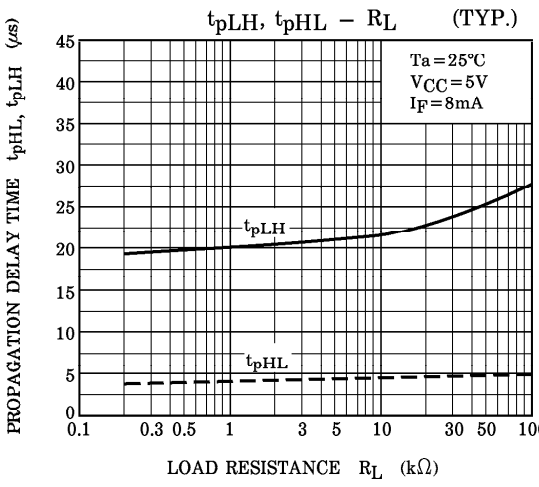
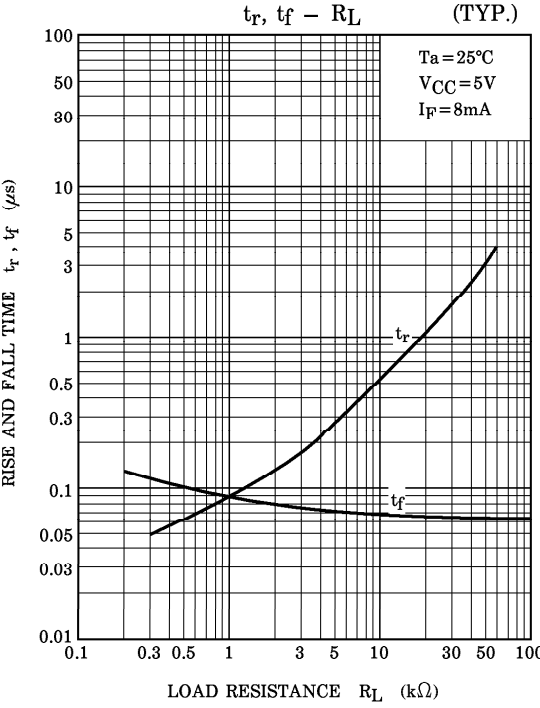
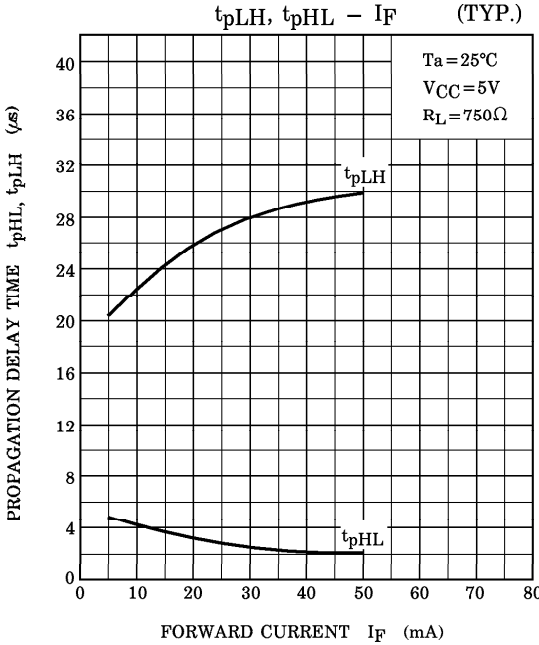
Weight : 0.09g (typ.)

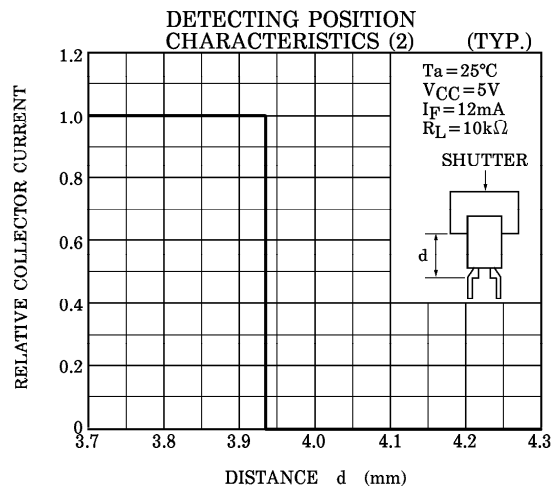
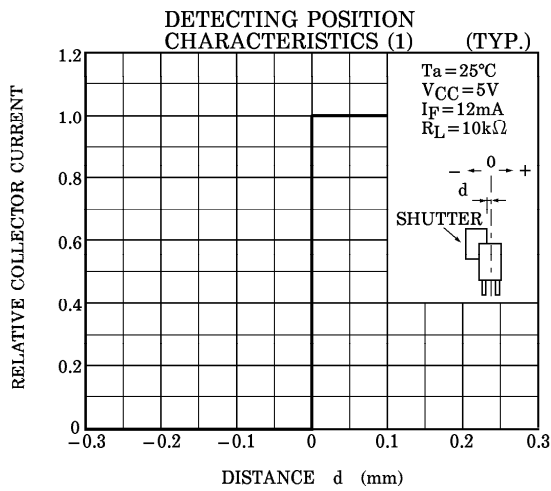
PIN CONNECTION



- 1. ANODE
- 2. CATHODE
- 3. VCC
- 4. OUT
- 5. GND







POSITIONING OF SHUTTER AND DEVICE

To operate correctly, make sure that the shutter and the device are positioned as shown in the figure below.

The slit pitch of the shutter must be set wider than the slit width of the device. Determine the width taking the switching time into consideration.

