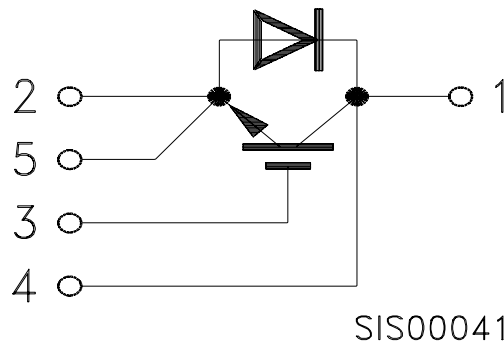


### Circuit Diagram



### Package Outlines

Dimensions in mm

Weight: 420 g

