
Features

- Full-Frame Image Sensor 4096 x 4096 Pixels
- 11 μm x 11 μm Photo-MOS Pixel with 100% Aperture
- Image Zone: 45 x 45 mm
- Frame Readout Through One, Two or Four Outputs
- Data Rates Up to 4 x 40 MHz (Compatibility with 7, 4 Frames/Second)
- True 12-bit High Dynamic Range
- Very Low Readout Noise
- Very Low Dark Current (MPP Mode)
- Optimized Resolution and Responsivity in the 400 - 1100 nm Spectrum
- On-chip Thermometer for Each Quarter
- Additional Full-Frame Operating Modes:
 - 4/3 Aspect Ratio: 4096 x 3072
 - 2/1 Aspect Ratio: 4096 x 2048
 - Binning 2 x 2 Pixels (Format 2048 x 2048 Pixels of 22 x 22 μm)
 - Binning 4 x 4 Pixels (Format 1024x 1024 Pixels of 44 x 44 μm)
- On-request Frame Transfer Architecture:
 - 2048 Active Lines, One Memory Zone with Frame Readout Through One or Two Outputs
 - 2048 Active Lines, Two Memories Zones with Frame Readout Through Two or Four Outputs

Applications

Flexibility and performance makes this device suitable for digital photography, graphic arts, medical or industrial applications and scientific analysis.

Description

Atmel's AT71201M is a full-frame sensor based on charge-coupled device (CCD) technology. It can be used in a wide range of applications thanks to operating mode flexibility, very high definition and high dynamic range.

The nominal photosensitive area is made up of 4096 x 4096 useful pixels and is split into four independent zones that are driven separately by four independent four-phase clock sets. Thus the sensor can be used in up to 12 main modes.

The large format and high definition make the device suitable for any application requiring precision.

The high sensitivity of the 11 x 11 μm pixels with 100% fill factor provides a large bandwidth of response with up to 1100 nm wavelength.

Two serial registers and four independent output amplifiers offer a high-frequency functionality at 40 MSPS and up to 7.4 frames per second with a high signal to noise ratio.



**16 M-Pixels
Sensor**

AT71201M

Preliminary

Rev. 5328A-IMAGE-05/03



Pinout

Figure 1. AT71201M Pinout, Top View of the Sensor

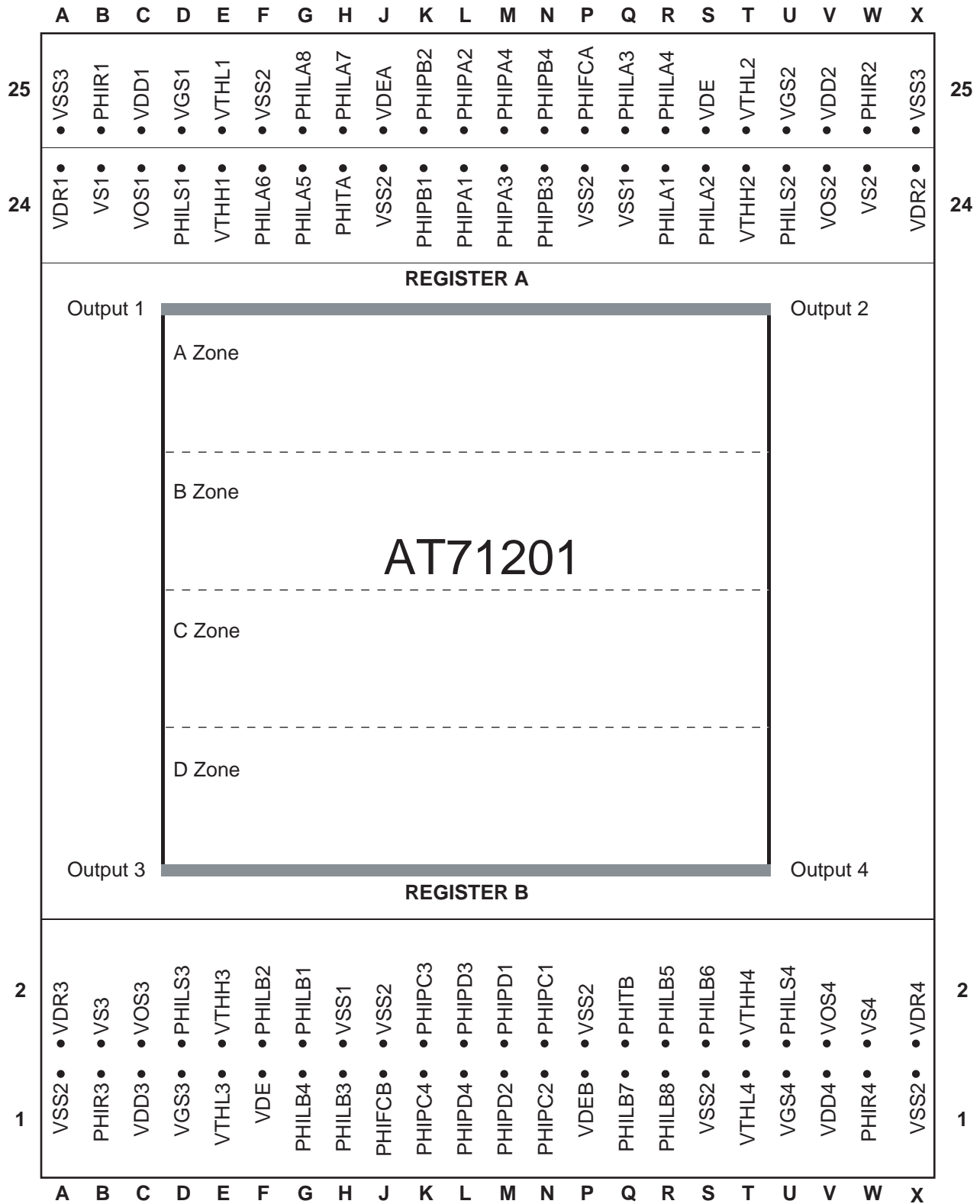
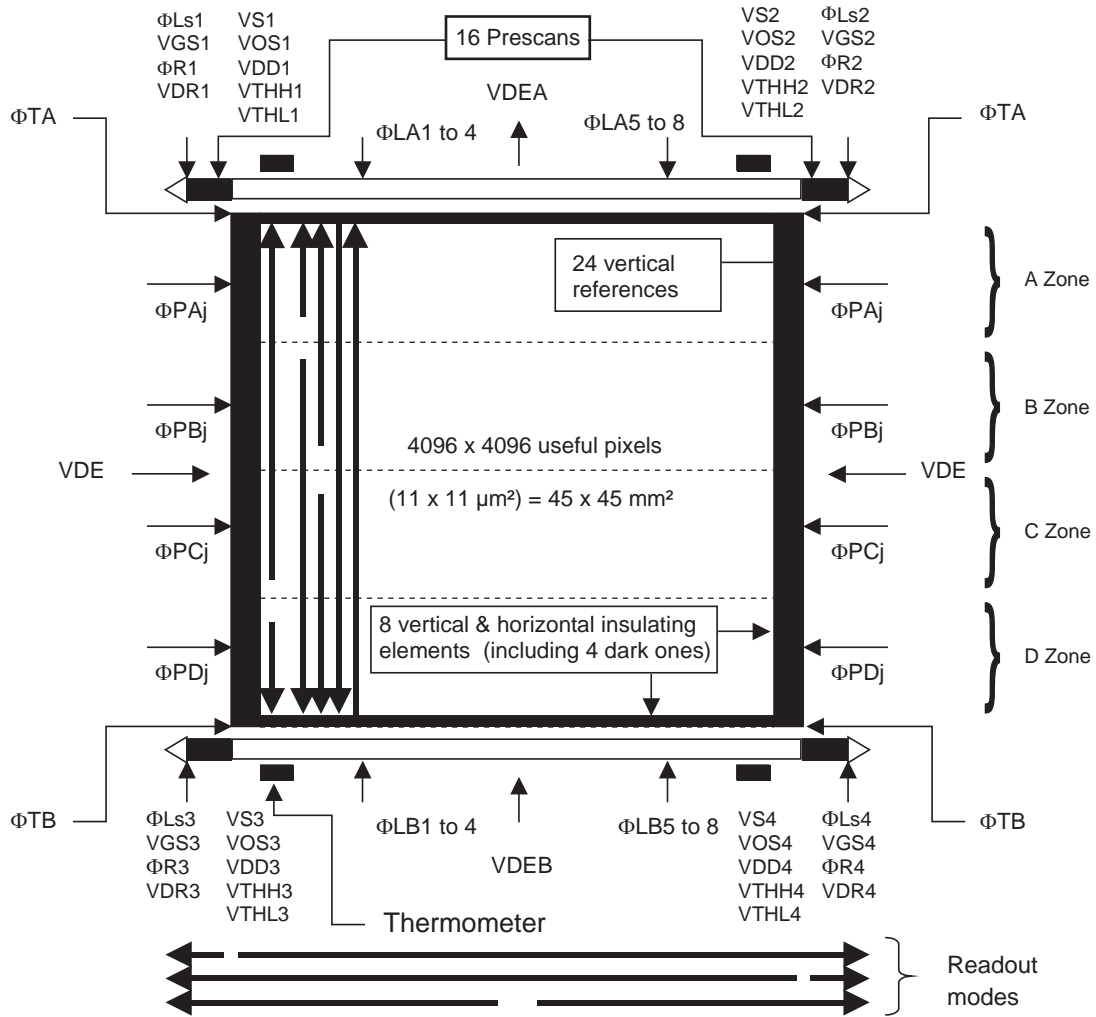


Table 1. AT71201M Pinout

Signal Name	Parameter
PHILA [1;8]	Registers A clocks
PHILB [1;8]	Registers B clocks
PHILS [1;4]	Summing clocks
PHIR [1;4]	Reset gates
PHIPA [1;4]	Image zone A clocks
PHIPB [1;4]	Image zone B clocks
PHIPC [1;4]	Image zone C clocks
PHIPD [1;4]	Image zone D clocks
PHITA	Image zone to register A transfer clock
VGS [1;4]	Register output gate biases
VOS [1;4]	Video outputs
VDD [1;4]	Amplifier drains
VS [1;4]	Amplifier sources
VDR [1;4]	Reset drains
VDE (2)	Peripheral vertical drain
VDEA	Peripheral drain along register A
VDEB	Peripheral drain along register B
VTHL [1;4]	Thermometer low 1 to 4
VTHH [1;4]	Thermometer high 1 to 4
VSS (12)	Ground connection

Block Diagram

Figure 2. AT71201M Block Diagram - Top View



Architectural Overview

General Parameters

Table 2. General Parameters

Parameter	Value
Pixel size	11 x 11 μm^2
Number of useful pixels per line	4096
Number of useful lines	4096
Number of extra lines	8 per register
Number of readout registers	2
Number of prescan CCD stages (per output)	16
Number of dark references (cells per line)	24
Number of outputs (2 per register)	4 ⁽¹⁾
MPP mode/low dark current mode	Yes (image zone)
Anti-blooming functionality	no
Binning (summation) mode	Yes ⁽²⁾
Pixel clocking mode	4-phase
Readout Register clocking mode	2-phase
Specific functions	Thermometer

Notes: 1. The full-frame version can be read through one, two or four outputs
 2. The lines summation into the register is made by a specific timing diagram. The integration time should be adapted to prevent charge overflow.

A specific clock allows column summation.

The pixel size is 11 x 11 μm^2 with 100% fill factor (photo-MOS technology).

The sensor is compatible with a 180° rotation.

The image zone commands are split in 4 horizontal areas. The combination of the Φ_{Pij} clocks allows various transfer configurations.

The serial registers are driven by 8 Φ_{Li} clocks. An adapted combination of them allows transfers of 100% of stages to the right side or the left side or 50% in each direction.

Organization

Top to Bottom

The AT71201M is made up of four zones (A, B, C and D) that are separately driven.

Table 3. Vertical Characteristics

Zone	Configuration
A	8 dummy lines (4 photosensitive ones)
	2048 active lines, 100% photosensitive
B	2048 active lines, 100% photosensitive
C	2048 active lines, 100% photosensitive
D	2048 active lines, 100% photosensitive
	8 dummy lines (4 photosensitive ones)

Corner to Center

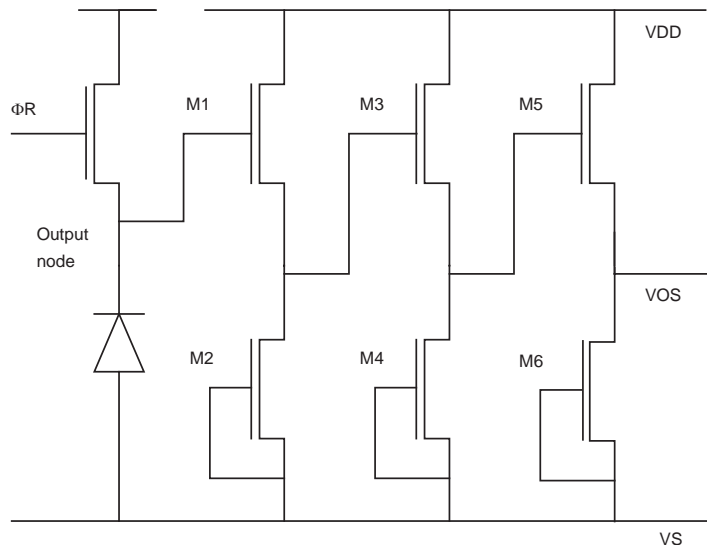
Table 4. Horizontal Characteristics for Different Modes

Characteristic	Readout Mode	
	One Output	Two Outputs on Same Register
Prescan stages	16	16
Dark references	24	24
Insulating elements	8	8
Useful pixels	4096	2048

Output Amplifiers

The charge packets are clocked towards the output nodes and are converted to voltages. The potential at the output node is read through a source follower amplifier.

Figure 3. On-Chip Output Amplifiers



Absolute Maximum Ratings⁽¹⁾

Table 5. Maximum Applied Voltages with Respect to VSS

Signal Name	Parameter	Min	Max
PHILA [1;8]	Registers A clocks	-0.3V	+15V
PHILB [1;8]	Registers B clocks	-0.3V	+15V
PHILS [1;4]	Summing clocks	-0.3V	+15V
PHIR [1;4]	Reset gates	-0.3V	+15V
PHIPA [1;4]	Image zone A clocks	-15V & PHIPA [others] -15V	+15V & PHIPA [others] +15V
PHIPB [1;4]	Image zone B clocks	-15V & PHIPB [others] -15V	+15V & PHIPB [others] +15V
PHIPC [1;4]	Image zone C clocks	-15V & PHIPC [others] -15V	+15V & PHIPC [others] +15V
PHIPD [1;4]	Image zone D clocks	-15V & PHIPD [others] -15V	+15V & PHIPD [others] +15V
PHITA	Image zone to register A transfer clock	-15V & PHIPA [4] -15V	+15V & PHIPA [4] +15V
PHITB	Image zone to register B transfer clock	-15V & PHIPB [4] -15V	+15V & PHIPB [4] +15V
VGS [1;4]	Ouput gates	-0.3V	+15V
VOS [1;4]	Video outputs	-0.3V	+15V
VDD [1;4]	Amplifier drains	-0.3V	+15V
VS [1;4]	Amplifier sources	-0.3V	+15V
VDR [1;4]	Reset drains	-0.3V	+15V
VDE	Peripheral drain	-0.3V	+15V
VDEA	Peripheral drain along register A	-0.3V	+15V
VDEB	Peripheral drain along register B	-0.3V	+15V
VTHL [1;4]	Thermometer low 1 to 4	-0.3V	+15V
VTHH [1;4]	Thermometer high 1 to 4	-0.3V	+15V
VSS	Ground		

Note: 1. Stresses above those listed under Absolute Maximum Ratings may cause permanent device failure. Functionality at or above these limits is not implied. Exposure to absolute maximum ratings for extended periods may affect device reliability.

Shorting VOS to any other pin, even temporally, can permanently damage the output amplifier.

Device exposure to ESD stress could result in current leakage or performance degradation; reliability can also be affected.

To avoid degradation, sensors (including pins and package) have to be handled carefully using a grounded bracelet. When unplugged, they have to be stored in the original case (or box).

In any case, pins of the devices must not be discharged straight to ground..

Storage Temperature Range	-40°C to +70°C
Operating Temperature Range	0°C to +70°C
Thermal Cycling	3°C/mn

DC Characteristics

Table 6. DC Characteristics

Parameters	Symbol	Typical Value	Adjusting Range	Current
Source bias	Vsi	0V	[0;1] Volts	4 x -25 mA
Amplifier drain supply	VDDi ⁽¹⁾	15V	[14.5;15.5] Volts	4 x 25 mA
Substrate bias	Vss	0V		
Reset diode	VDRi ⁽²⁾	14V	[13.5;14.5] Volts	< 5 μA
Output gate	VGSi	3.5V	[3;4] Volts	< 5 μA
Vertical drain	VDE	8V	[6;9] Volts (15 V max respect to ΦTi)	< 50 μA
Horizontal drain	VDEi	12V	[6;15] Volts	< 50 μA

Notes: 1. If the associated output i is not used, VDDi should be stated to 0 Volts in order to reduce global power consumption
 2. VDRi voltage should always be kept lower than VDDi voltage, especially during power on

Recommendation: All DC voltages should be bypassed by adding capacitors as closed as possible to the pin connection.

Drive Clock Characteristics

Table 7. Drive Clock Characteristics

Parameter	Symbol	State	Minimum	Typical	Maximum	Typical Capacitance
Image clocks	PHIP _{ij} ⁽¹⁾	Low	-9V	-8V	-7.5V	37 nF
		High	+2.5V	+3V	+3.5V	
Transfer clocks	PHIT _k ⁽²⁾	Low	-6V	-5V	-4V	200 pF
		High	+2.5V	+3V	+3.5V	
Register clocks	PHIL _{km} ⁽²⁾	Low	0V	0V	0.5V	180 pF
		High	+7V	+7.5V	+8V	
Summing clocks	PHIL _{Sj} ⁽¹⁾	Low	0V	0V	0.5V	15 pF
		High	+7V	+7.5V	+8V	
Reset gate clocks	PHIR _j ⁽¹⁾	Low	0V	+2V	+3V	15 pF
		High	+11V	+12V	+13V	

Notes: 1. i = A to D, j = 1 to 4
 2. k = A to B, m = 1 to 8

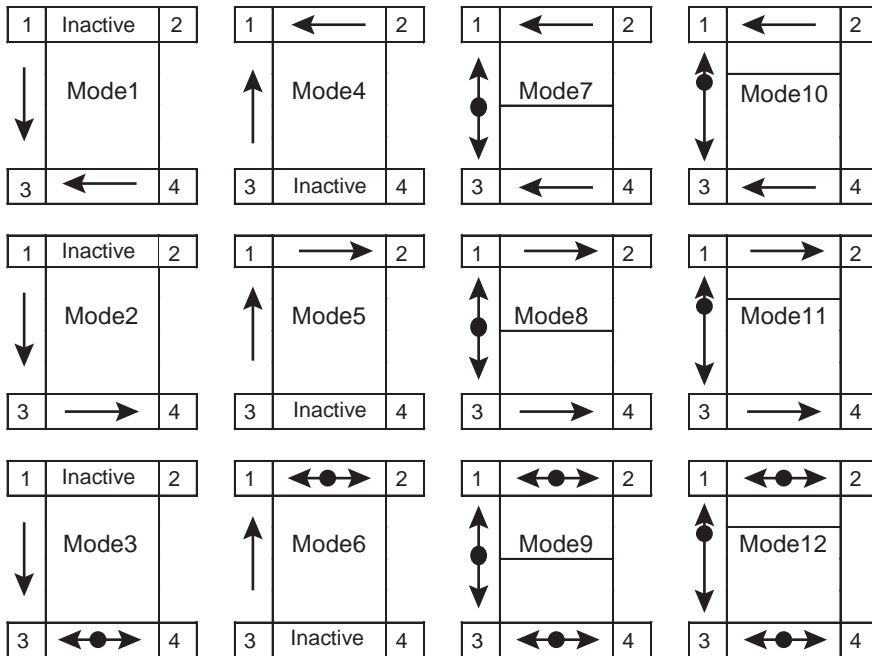
Operating Modes

For the required readout mode, the vertical and horizontal clocks must be tied together, as following:

Figure 4. Operating Modes

VERTICAL TRANSFER			
4112 transfers min NBV = 4112	4112 transfers min NBV = 4112	2056 transfers min NBV = 2056	3080 transfers min NBV = 3080
1-2-3 modes	4-5-6 modes	7-8-9 modes	10-11-12 modes
$\Phi PA1=\Phi PB1=\Phi PC1=\Phi PD1= \Phi P1$ $\Phi PA4=\Phi PB4=\Phi PC2=\Phi PD2= \Phi P2$ $\Phi PA3=\Phi PB3=\Phi PC3=\Phi PD3= \Phi P3$ $\Phi PA2=\Phi PB2=\Phi PC4=\Phi PD4= \Phi P4$	$\Phi PA1=\Phi PB1=\Phi PC1=\Phi PD1= \Phi P1$ $\Phi PA2=\Phi PB2=\Phi PC4=\Phi PD4= \Phi P2$ $\Phi PA3=\Phi PB3=\Phi PC3=\Phi PD3= \Phi P3$ $\Phi PA4=\Phi PB4=\Phi PC2=\Phi PD2= \Phi P4$	$\Phi PA1=\Phi PB1=\Phi PC1=\Phi PD1= \Phi P1$ $\Phi PA2=\Phi PB2=\Phi PC2=\Phi PD2= \Phi P2$ $\Phi PA3=\Phi PB3=\Phi PC3=\Phi PD3= \Phi P3$ $\Phi PA4=\Phi PB4=\Phi PC4=\Phi PD4= \Phi P4$	$\Phi PA1=\Phi PB1=\Phi PC1=\Phi PD1= \Phi P1$ $\Phi PA2=\Phi PB4=\Phi PC2=\Phi PD2= \Phi P2$ $\Phi PA3=\Phi PB3=\Phi PC3=\Phi PD3= \Phi P3$ $\Phi PA4=\Phi PB2=\Phi PC4=\Phi PD4= \Phi P4$
$\Phi TA = \text{Low Level}$ $\Phi TB = \Phi P1$	$\Phi TA = \Phi P1$ $\Phi TB = \text{Low Level}$	$\Phi TA = \Phi P1$ $\Phi TB = \Phi P1$	$\Phi TA = \Phi P1$ $\Phi TB = \Phi P1$

Symbols $\Phi P1, \Phi P2, \Phi P3, \Phi P4$ correspond to the clocks described in the full-frame mode timing diagrams. Abbreviations NBV and NBH correspond respectively to the vertical and horizontal number of transfers. The unused horizontal clocks ($\Phi L, \Phi R, \Phi LS$) must be stated to their high level.



4144 PIXELS PERIODS NBH = 4144 4-7-10 modes $\Phi LA1=\Phi LA4=\Phi LA5=\Phi LA7=\Phi L1$ $\Phi LA2=\Phi LA3=\Phi LA6=\Phi LA8=\Phi L2$ 1-7-10 modes $\Phi LB1=\Phi LB3=\Phi LB5=\Phi LB8=\Phi L1$ $\Phi LB2=\Phi LB4=\Phi LB6=\Phi LB7=\Phi L2$	HORIZONTAL TRANSFER
4144 PIXELS PERIODS NBH = 4144 5-8-11 modes $\Phi LA1=\Phi LA3=\Phi LA5=\Phi LA8=\Phi L1$ $\Phi LA2=\Phi LA4=\Phi LA6=\Phi LA7=\Phi L2$ 2-8-11 modes $\Phi LB1=\Phi LB4=\Phi LB5=\Phi LB7=\Phi L1$ $\Phi LB2=\Phi LB3=\Phi LB6=\Phi LB8=\Phi L2$	
2096 PIXELS PERIODS NBH = 2096 6-9-12 modes $\Phi LA1=\Phi LA4=\Phi LA5=\Phi LA8=\Phi L1$ $\Phi LA2=\Phi LA3=\Phi LA6=\Phi LA7=\Phi L2$ 3-9-12 modes $\Phi LB1=\Phi LB3=\Phi LB5=\Phi LB7= \Phi L1$ $\Phi LB2=\Phi LB4=\Phi LB6=\Phi LB8=\Phi L2$	

Timing Diagrams

Figure 5. Full-Frame Mode Timing Diagram

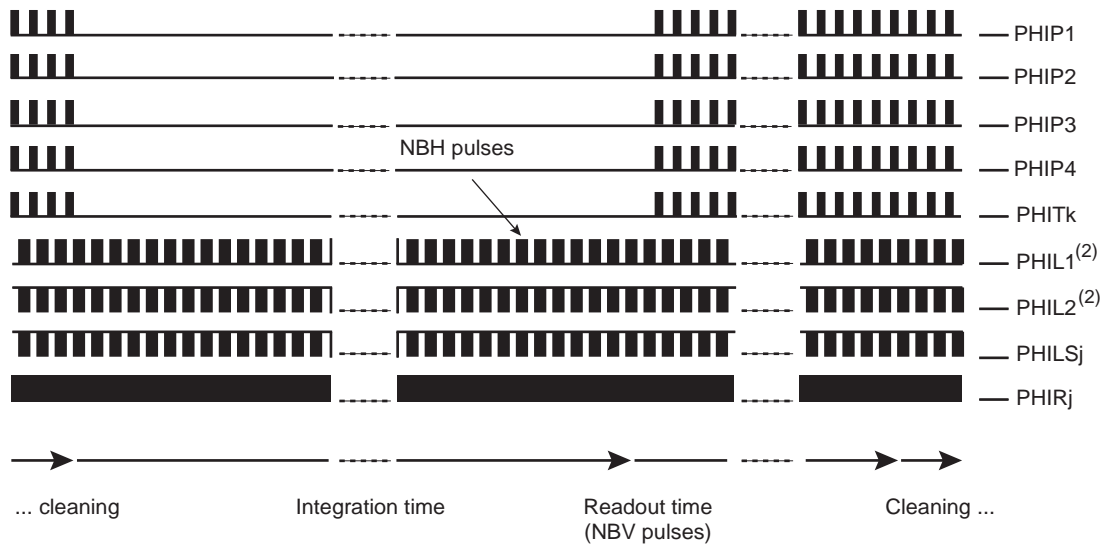
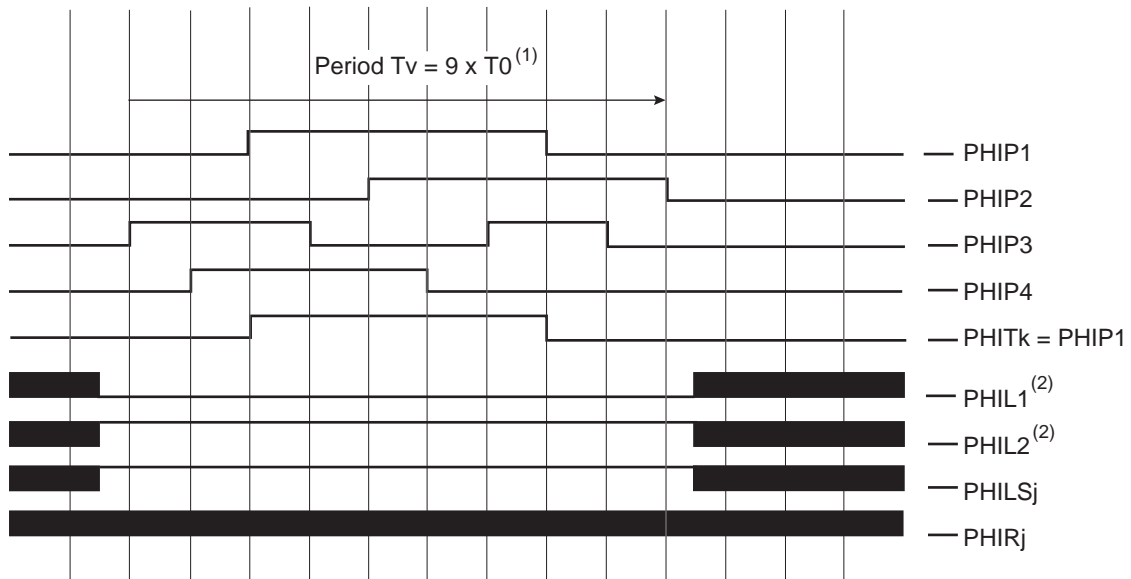


Figure 6. Line Timing Diagram



- Notes: 1. T_0 = Master clock period (vertical transfer)
 2. See Figure 4

Figure 7. Summation Timing Diagram of 2 Lines

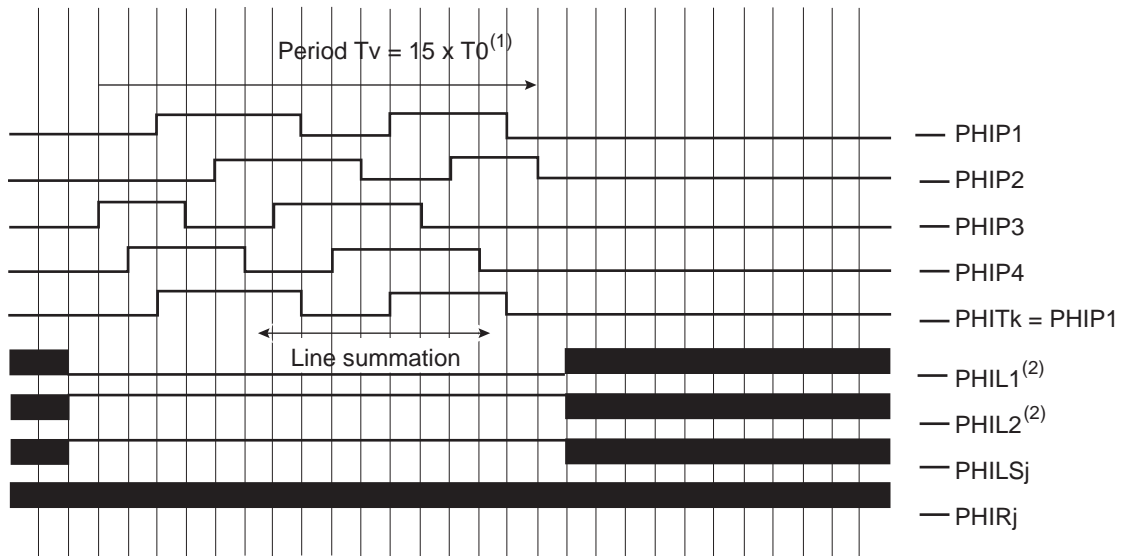
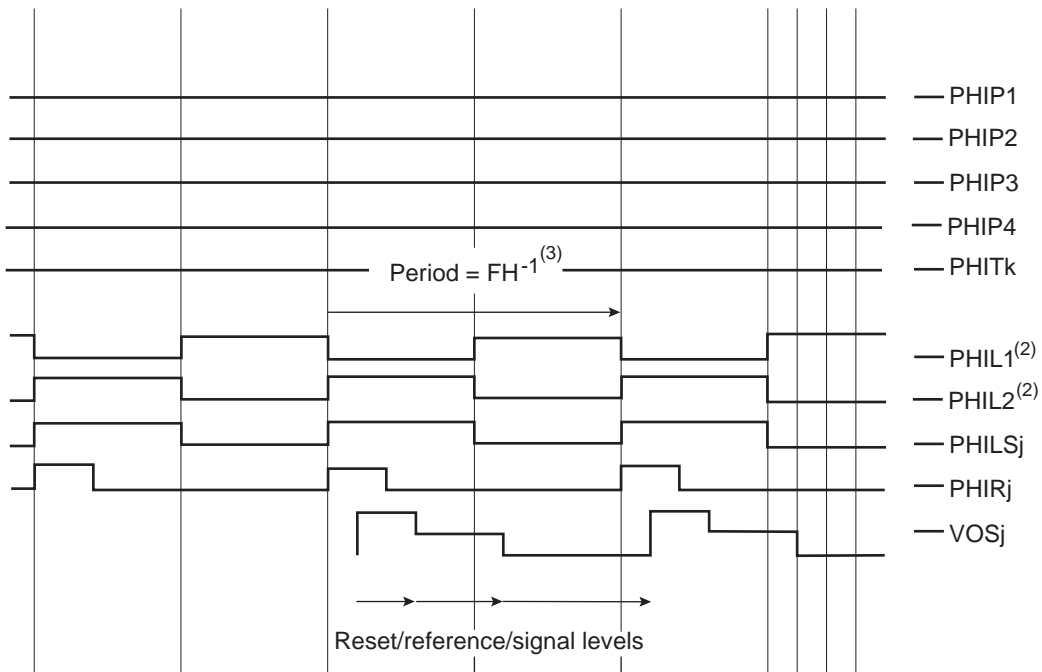
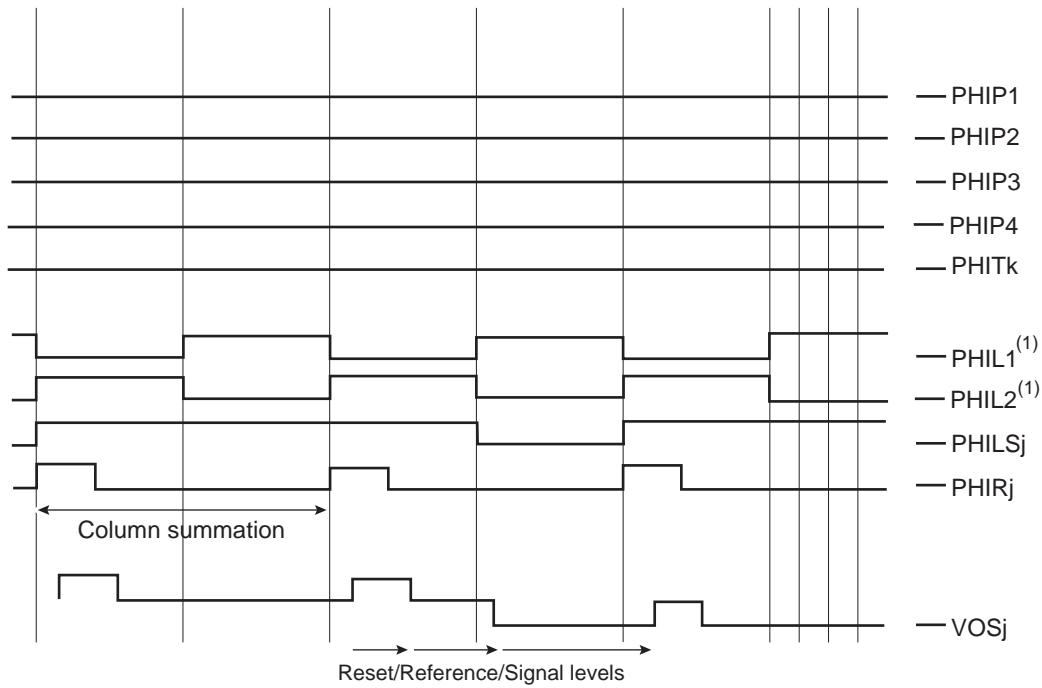


Figure 8. Readout Signal



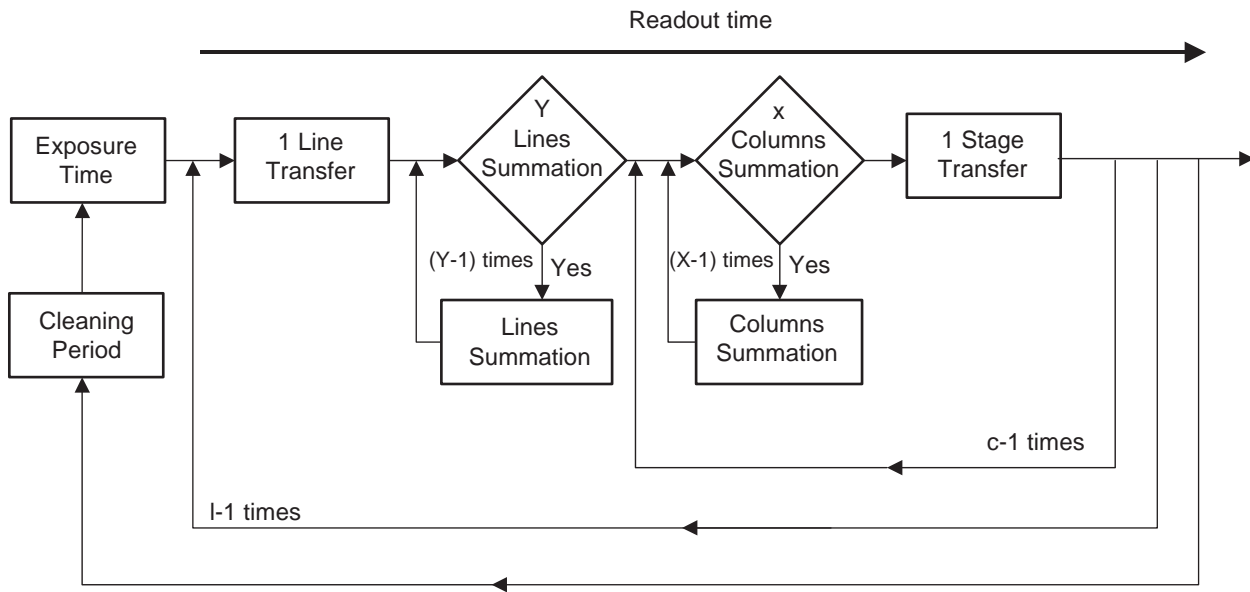
- Notes:
1. T_0 = Master clock period (vertical transfer)
 2. See Figure 4
 3. FH = Readout Register Frequency

Figure 9. Summation Timing Diagram



Note: 1. See Figure 4

Figure 10. Frame Transfer Sequence



The readout sequence corresponding to an image made of C x l pixels

- XC = 2048 in modes 3, 6, 9, 12
- XC = 4096 in other modes
- Yl = 2048 in modes 1 to 6
- Yl = 4096 in modes 7 to 9

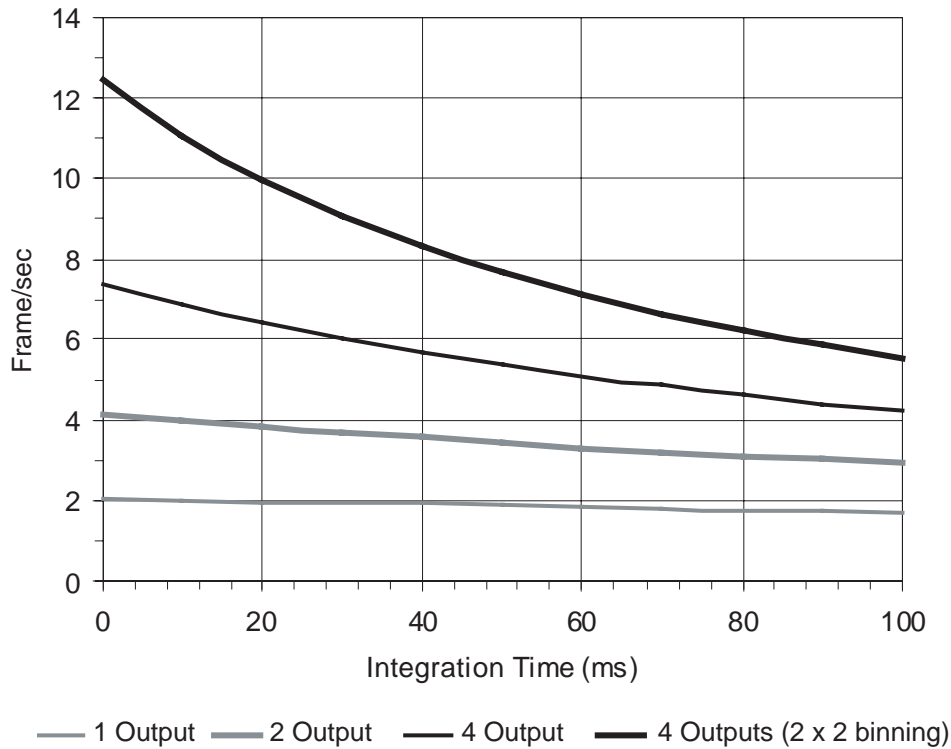
Table 8. Time Constants of Different Phases

Time	Symbol	Minimum	Typical	Maximum
Buffer time = Waiting time between ΦP_{ij} and ΦL_{km} acting	Tb	100 ns	-	-
Rise Time and Fall Time of ΦP_{ij} , ΦT_k	Ts	250 ns	0.5 x T0	0.5 x T0
Rise Time and Fall Time of ΦL_{km} , ΦL_{Sj}	Tq	3 ns	6 ns	-
Rise Time and Fall Time of ΦR_j	Tr	1.5 ns	3 ns	-

T0 = master clock period (vertical transfer)

Frame Rate Characteristics

Figure 11. Frame Rate Characteristics



Frame rate is given for maximum readout frequency⁽¹⁾.

Note: 1. Horizontal pixel frequency, FH = 40 MHz
 Vertical transfer time, To = 1.5 μ s
 Buffer time, Tb = 100 ns

Output Buffer

Table 9. Output Buffer⁽²⁾

Parameter	Symbol	Minimum	Typical	Maximum	Unit
DC output	Vref	8.0	8.6	9.2	V
Output impedance	Zout	–	88	–	Ω
Output amplifier supply current ⁽¹⁾	IDD	19	25	31	mA
Amplifier bandwidth (-3 dB)	BW	–	200	–	MHz
Charge to Voltage Conversion factor	CVF	–	6.0	–	μV/ electron
Temperature conversion	VTH	–	7.5	–	mV/°C
Vertical transfer time	T0	1.5	2	–	μs
Readout register frequency	FH	–	–	40	MHz

- Note: 1. Per output
2. All characteristics given for temperature = 25°C

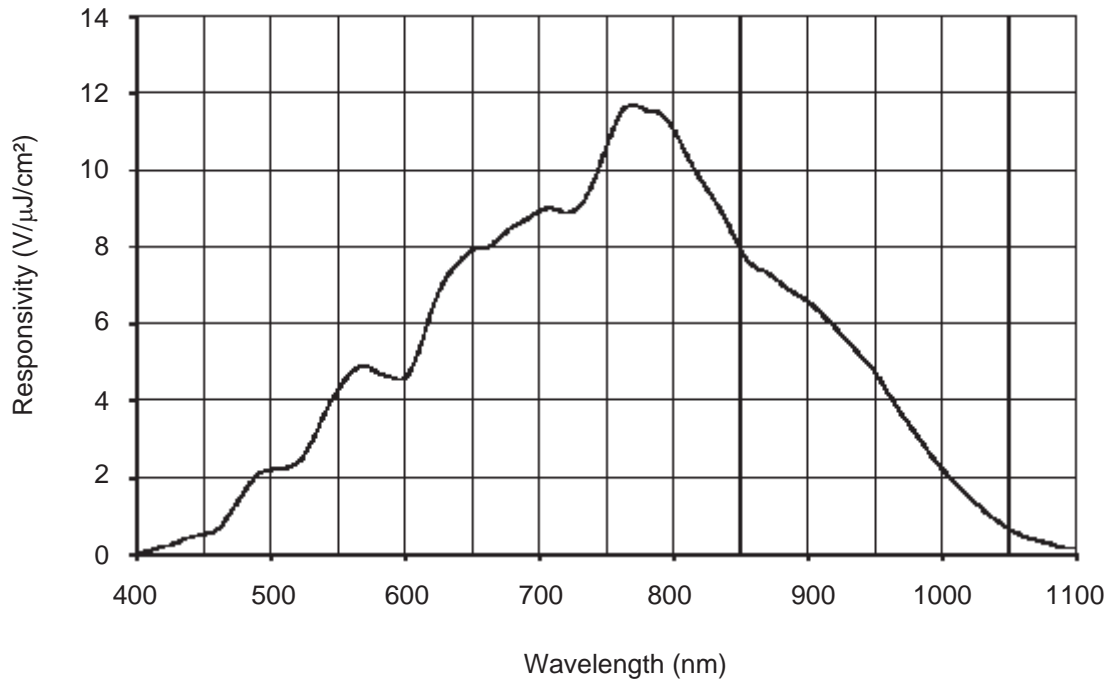
Electro-Optical Performances

Table 10. Electro-Optical Performances⁽³⁾

Parameter	Symbol	Minimum	Typical	Maximum	Unit
Pixel saturation voltage	VSAT	600	750	900	mV
Readout saturation charge in binning mode	RSAT	–	1800	–	mV
Dynamic range	DR	72	74	76	dB
Readout noise	RN	–	25	–	electron
Responsivity	R	3.8	4.2	–	V/(μJ/cm ²)
Resolution (MTF) at 45 cycles/mm – H axis	MTFX ⁽¹⁾	–	45	–	%
Resolution (MTF) at 45 cycles/mm – V axis	MTFY ⁽¹⁾	–	50	–	%
Pixel response non-uniformity	PRNU ⁽¹⁾⁽²⁾	–	0.5	3	%
Image zone dark signal, MPP	DS1	0.05	0.2	2	mV/s
Image zone dark signal, non-MPP	DS2	10	20	40	mV/s
Register dark signal, non-MPP	DSR	30	60	100	mV/s
Image zone dark signal non-uniformity, MPP integration	DSNU ⁽²⁾	–	0.5	1.5	mV/s
Horizontal charge transfer efficiency per CCD stage	HCTE	0.99993	0.99998	–	–
Vertical charge transfer efficiency per CCD stage	VCTE	0.99995	0.99998	–	–

- Notes: 1. Combined with 2 mm "BG38" IR filter type
2. Standard deviation
3. All values given at 25°C, typical voltages

Figure 12. Spectral Responsivity



Temperature Measurement

A current of 100 μA is forced between VTHLi and VTHHi, in the range of 0 to 70°C, the corresponding measured voltage, is proportional to temperature:

$$Temperature(^{\circ}C) = \frac{VTHHi(mV) - VTHLi(mV)}{7.5(mV/^{\circ}C)} - 613(^{\circ}C)$$

Relative thermometer accuracy is 0.13°C/mV ±10%

Absolute thermometer precision is ±10°C.

Figure 13. On Chip Thermometer

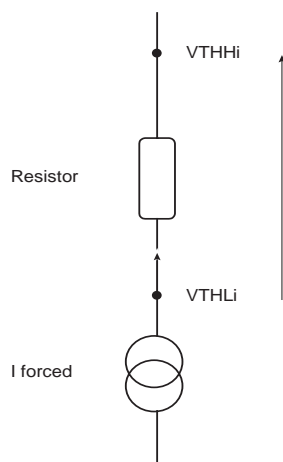


Image grade

Table 11. Image Grade⁽²⁾

Grade	Blemishes		Cluster 1		Cluster 2		Column	
	Total	D-min ⁽¹⁾	Total	D-min ⁽¹⁾	Total	D-min ⁽¹⁾	Total	D-min ⁽¹⁾
E	≤ 1500	3	≤ 100	50	≤ 20	100	≤ 10	150

Notes: 1. D-min: distance of pixels defects in any direction. All occurrences are non-contiguous.
 2. Testing has been carried out under the following conditions:
 Operating temperature = 25 °C
 Illumination conditions: 3200K Halogen lamp with BG38 Infrared filter and f/3.5 aperture
 Integration time in darkness = 10 seconds, test under illumination at 50% of VSAT
 Standard mode, T_o = 1.5 μs, FH = 40 MHz

Definitions

Table 12. Defect Sizes

Type	Description
Blemish	1 x 1 pixel defect
Cluster	Blemish groupings of less than a given number of adjacent defects: 1 x 1 pixel < cluster 1 size ≤ 2 x 2 pixels 2 x 2 pixels < cluster 2 size ≤ 5 x 5 pixels
Column	One-pixel-wide column with more than seven contiguous defective pixels

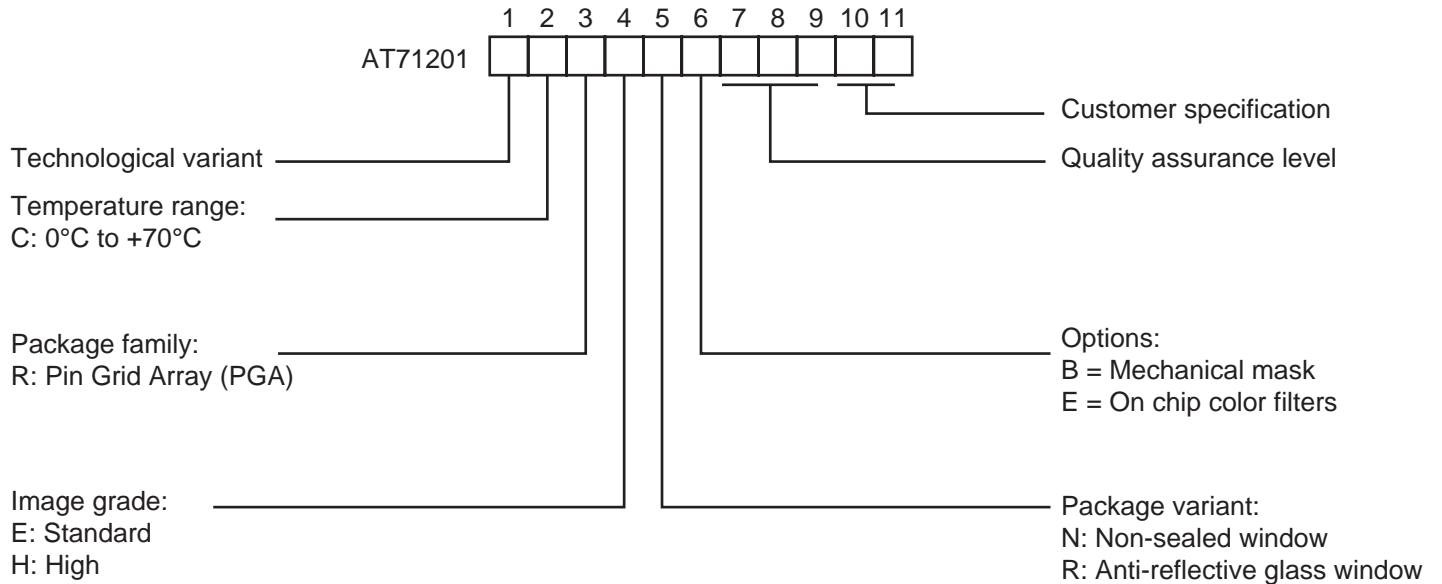
Table 13. Defects in Darkness

Type	Description
Blemish/Clusters	Pixel signal deviation of more than 200 mV from the average output signal
Column	Column signal deviation of more than 50 mV from the average output signal

Table 14. Defects Under Illumination

Type	Description
Blemish/Clusters	Pixel signal deviation of more than ± 30% from the average output signal
Column	Column signal deviation of more than ± 20% from the average output signal

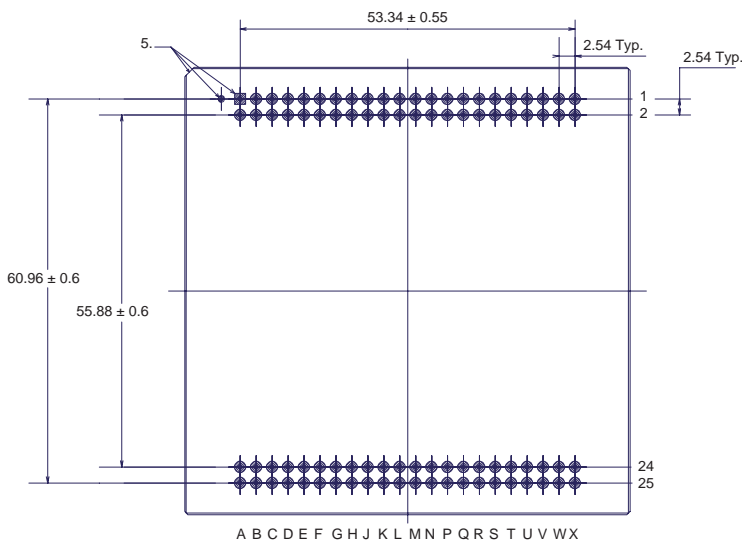
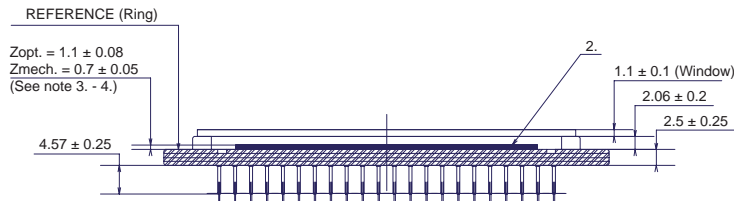
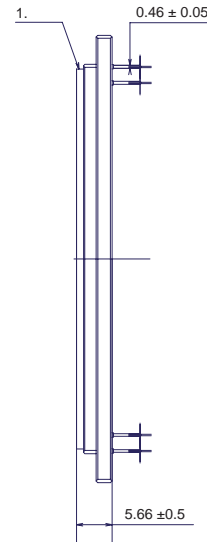
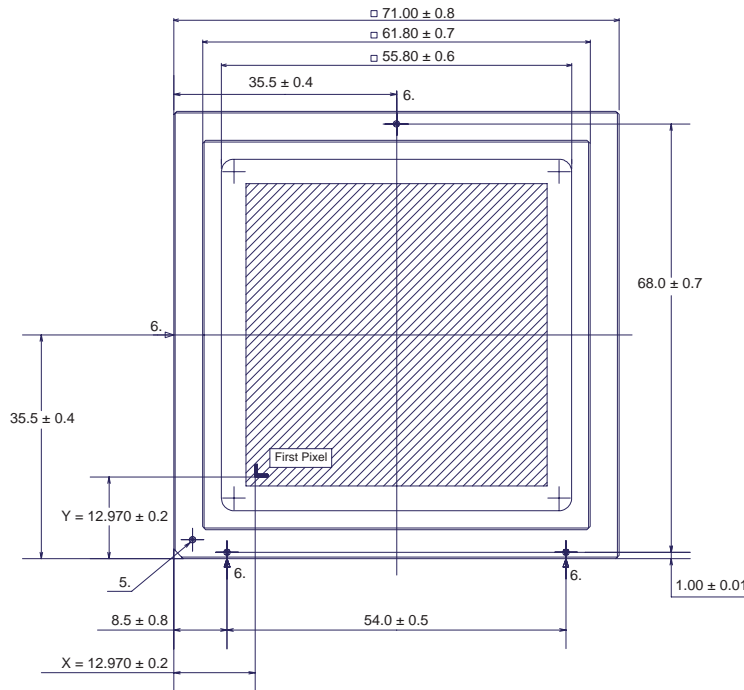
Ordering Information



The following part numbers are available:

- AT71201MCRER
- AT71201MCREN

Package Drawing



- Notes:
1. Anti-reflective window 400 - 700 nm
 2. Photosensitive area
 3. Zopt = Optical distance between REFERENCE surface and 2
 4. Zmech = Mechanical distance between REFERENCE surface and 2
 5. Pin A1 index mark
 6. Mechanical references/die positioning (first pixel)

REFERENCE: Z
 REFERENCE: XY
 All Dimensions In Millimeter

Die Flatness $\leq 50 \mu\text{m}$
 Die Axis Angle $\leq 0.2^\circ$



Atmel Corporation

2325 Orchard Parkway
San Jose, CA 95131
Tel: 1(408) 441-0311
Fax: 1(408) 487-2600

Regional Headquarters

Europe

Atmel Sarl
Route des Arsenalux 41
Case Postale 80
CH-1705 Fribourg
Switzerland
Tel: (41) 26-426-5555
Fax: (41) 26-426-5500

Asia

Room 1219
Chinachem Golden Plaza
77 Mody Road Tsimshatsui
East Kowloon
Hong Kong
Tel: (852) 2721-9778
Fax: (852) 2722-1369

Japan

9F, Tonetsu Shinkawa Bldg.
1-24-8 Shinkawa
Chuo-ku, Tokyo 104-0033
Japan
Tel: (81) 3-3523-3551
Fax: (81) 3-3523-7581

Atmel Operations

Memory

2325 Orchard Parkway
San Jose, CA 95131
Tel: 1(408) 441-0311
Fax: 1(408) 436-4314

Microcontrollers

2325 Orchard Parkway
San Jose, CA 95131
Tel: 1(408) 441-0311
Fax: 1(408) 436-4314

La Chantrerie
BP 70602
44306 Nantes Cedex 3, France
Tel: (33) 2-40-18-18-18
Fax: (33) 2-40-18-19-60

ASIC/ASSP/Smart Cards

Zone Industrielle
13106 Rousset Cedex, France
Tel: (33) 4-42-53-60-00
Fax: (33) 4-42-53-60-01

1150 East Cheyenne Mtn. Blvd.
Colorado Springs, CO 80906
Tel: 1(719) 576-3300
Fax: 1(719) 540-1759

Scottish Enterprise Technology Park
Maxwell Building
East Kilbride G75 0QR, Scotland
Tel: (44) 1355-803-000
Fax: (44) 1355-242-743

RF/Automotive

Theresienstrasse 2
Postfach 3535
74025 Heilbronn, Germany
Tel: (49) 71-31-67-0
Fax: (49) 71-31-67-2340

1150 East Cheyenne Mtn. Blvd.
Colorado Springs, CO 80906
Tel: 1(719) 576-3300
Fax: 1(719) 540-1759

Biometrics/Imaging/Hi-Rel MPU/ High Speed Converters/RF Datacom

Avenue de Rochepleine
BP 123
38521 Saint-Egreve Cedex, France
Tel: (33) 4-76-58-30-00
Fax: (33) 4-76-58-34-80

e-mail

literature@atmel.com

Web Site

<http://www.atmel.com>

Disclaimer: Atmel Corporation makes no warranty for the use of its products, other than those expressly contained in the Company's standard warranty which is detailed in Atmel's Terms and Conditions located on the Company's web site. The Company assumes no responsibility for any errors which may appear in this document, reserves the right to change devices or specifications detailed herein at any time without notice, and does not make any commitment to update the information contained herein. No licenses to patents or other intellectual property of Atmel are granted by the Company in connection with the sale of Atmel products, expressly or by implication. Atmel's products are not authorized for use as critical components in life support devices or systems.

© Atmel Corporation 2003. All rights reserved. Atmel® and combinations thereof, are the registered trademarks of Atmel Corporation or its subsidiaries. Other terms and product names may be the trademarks of others.



Printed on recycled paper.