

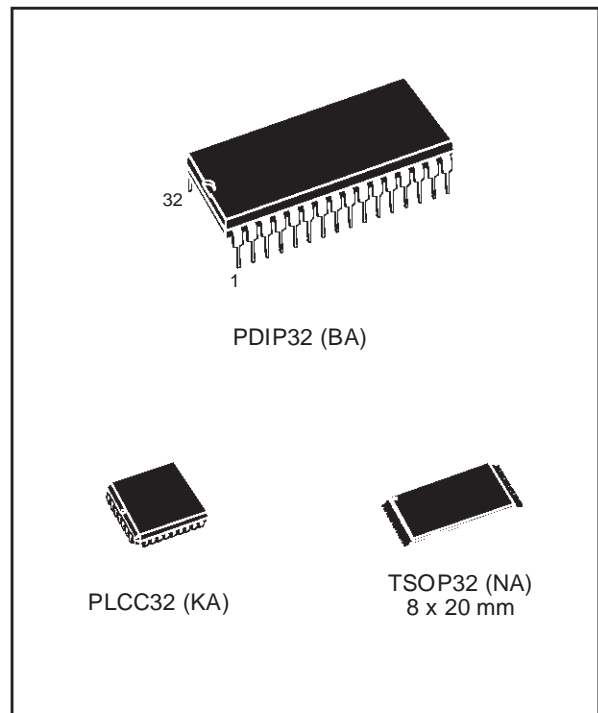


# M28010

## 1 Mbit (128K x 8) Parallel EEPROM With Software Data Protection

PRELIMINARY DATA

- Fast Access Time: 100 ns
- Single Supply Voltage:
  - 4.5 V to 5.5 V for M28010
  - 2.7 V to 3.6 V for M28010-W
  - 1.8 V to 2.4 V for M28010-R
- Low Power Consumption
- Fast BYTE and PAGE WRITE (up to 128 Bytes)
- Enhanced Write Detection and Monitoring:
  - Data Polling
  - Toggle Bit
  - Page Load Timer Status
- JEDEC Approved Byte-wide Pin-Out
- Software Data Protection
- Hardware Data Protection
- Software Chip Erase
- 100000 Erase/Write Cycles (minimum)
- Data Retention (minimum): 10 Years



### DESCRIPTION

The M28010 devices consist of 128Kx8 bits of low power, parallel EEPROM, fabricated with STMicroelectronics' proprietary double polysilicon CMOS technology. The devices offer fast access time, with low power dissipation, and require a single voltage supply (5V, 3V or 2V, depending on the option chosen).

**Table 1. Signal Names**

A0-A16	Address Input
DQ0-DQ7	Data Input / Output
$\bar{W}$	Write Enable
$\bar{E}$	Chip Enable
$\bar{G}$	Output Enable
VCC	Supply Voltage
VSS	Ground

**Figure 1. Logic Diagram**

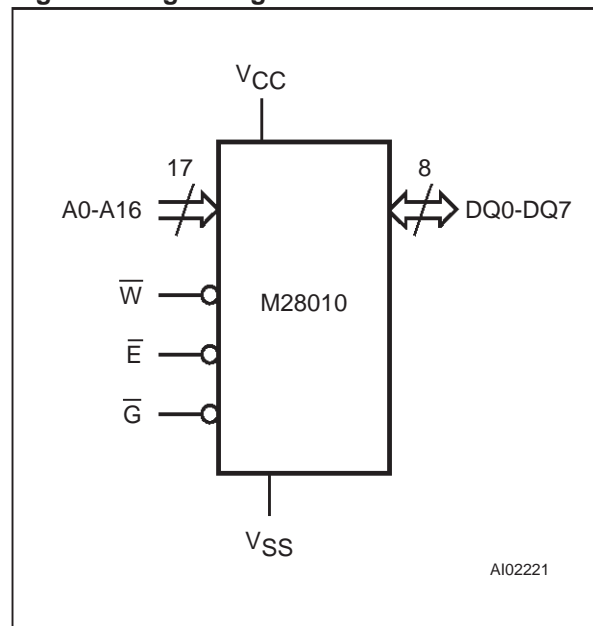
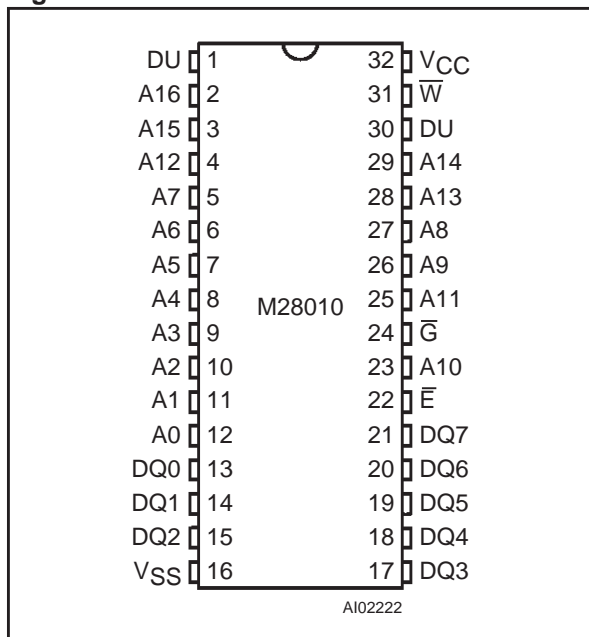
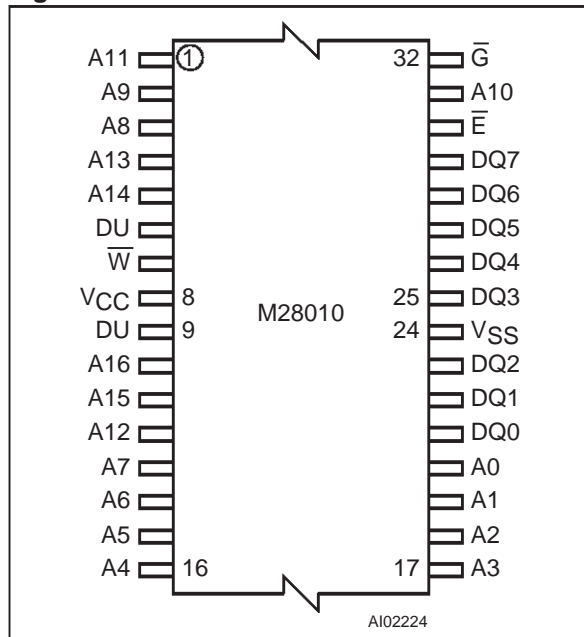


Figure 2A. DIP Connections



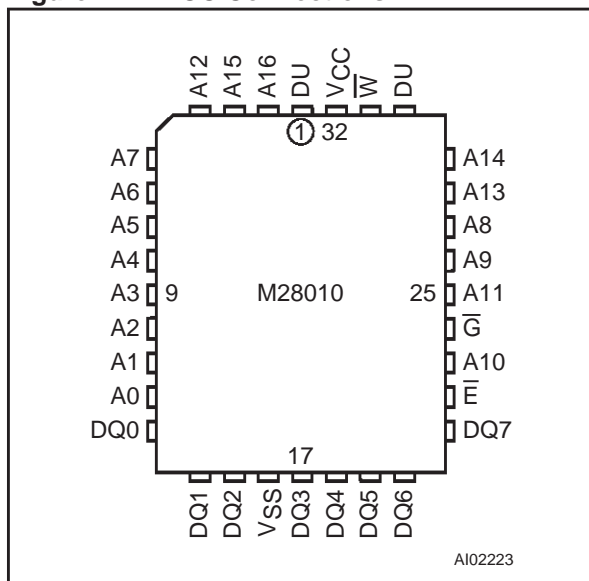
Note: 1. DU = Do Not Use

Figure 2C. TSOP Connections



Note: 1. DU = Do Not Use

Figure 2B. PLCC Connections



Note: 1. DU = Do Not Use

The device has been designed to offer a flexible microcontroller interface, featuring both hardware and software hand-shaking, with Data Polling and Toggle Bit. The device supports a 128 byte Page Write operation. Software Data Protection (SDP) is also supported, using the standard JEDEC algorithm.

The M28010 is designed for applications requiring as much as 100,000 write cycles and ten years of

data retention. The organization of the data in a 4 byte (32-bit) "word" format leads to significant savings in power consumption. Once a byte has been read, subsequent byte read cycles from the same "word" (with addresses differing only in the two least significant bits) are fetched from the previously loaded Read Buffer, not from the memory array. As a result, the power consumption for these subsequent read cycles is much lower than the power consumption for the first cycle. By careful design of the memory access patterns, a 50% reduction in the power consumption is possible.

**SIGNAL DESCRIPTION**

The external connections to the device are summarized in Table 1, and their use in Table 3.

**Addresses (A0-A16).** The address inputs are used to select one byte from the memory array during a read or write operation.

**Data In/Out (DQ0-DQ7).** The contents of the data byte are written to, or read from, the memory array through the Data I/O pins.

**Chip Enable (E-bar).** The chip enable input must be held low to enable read and write operations. When Chip Enable is high, power consumption is reduced.

**Output Enable (G-bar).** The Output Enable input controls the data output buffers, and is used to initiate read operations.

**Write Enable (W-bar).** The Write Enable input controls whether the addressed location is to be read, from or written to.



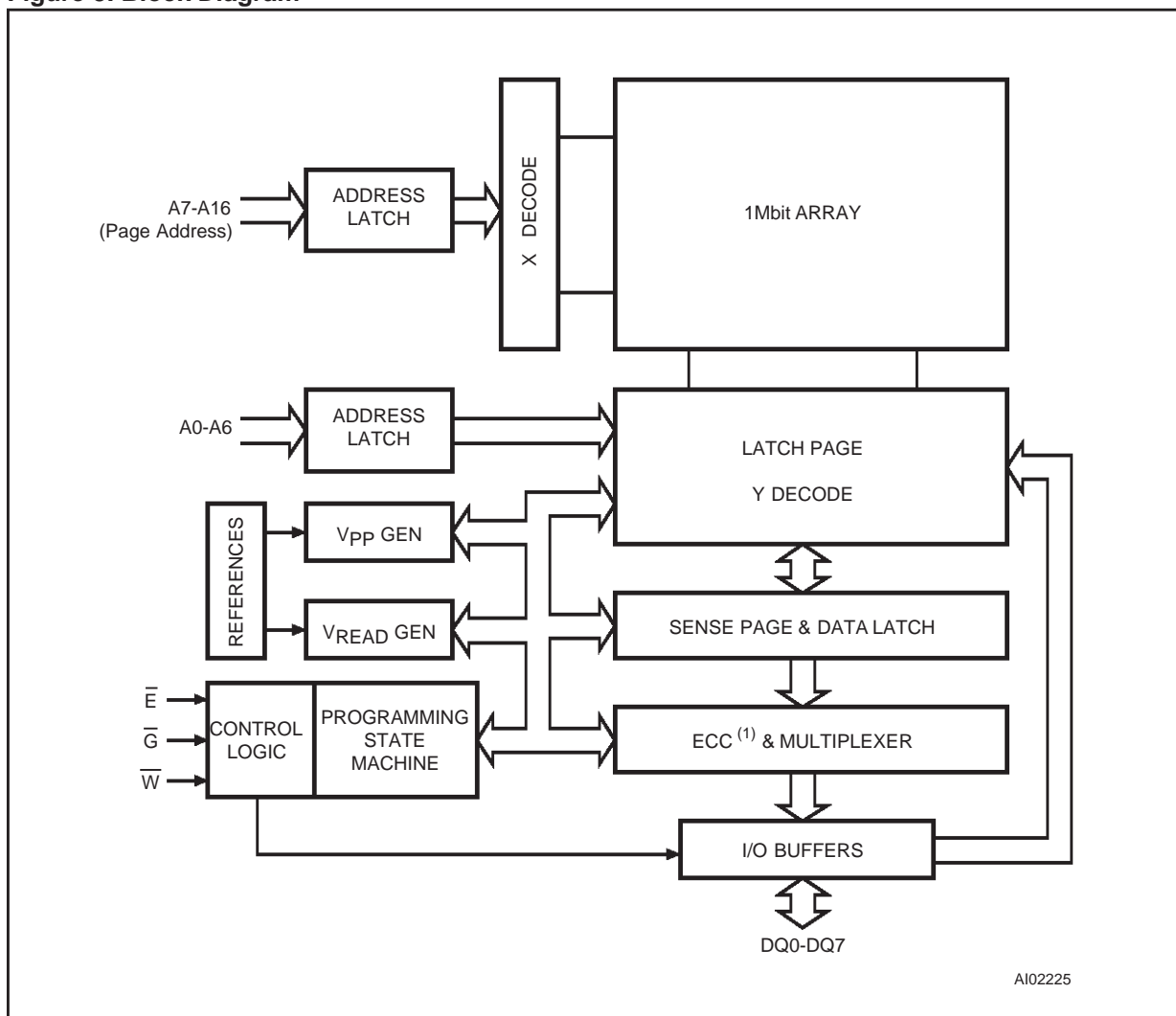
Table 2. Absolute Maximum Ratings <sup>1</sup>

Symbol	Parameter	Value	Unit
T <sub>A</sub>	Ambient Operating Temperature	-40 to 85	°C
T <sub>STG</sub>	Storage Temperature	-65 to 150	°C
V <sub>CC</sub>	Supply Voltage	-0.3 to V <sub>CCMAX</sub> +1	V
V <sub>IO</sub>	Input or Output Voltage (except A9)	-0.3 to V <sub>CC</sub> +0.6	V
V <sub>I</sub>	Input Voltage	-0.3 to 4.5	V
V <sub>ESD</sub>	Electrostatic Discharge Voltage (Human Body model) <sup>2</sup>	2000	V

Note: 1. Except for the rating "Operating Temperature Range", stresses above those listed in the Table "Absolute Maximum Ratings" may cause permanent damage to the device. These are stress ratings only, and operation of the device at these or any other conditions above those indicated in the Operating sections of this specification is not implied. Exposure to Absolute Maximum Rating conditions for extended periods may affect device reliability. Refer also to the ST SURE Program and other relevant quality documents.

2. MIL-STD-883C, 3015.7 (100 pF, 1500 Ω)

Figure 3. Block Diagram



**Table 3. Operating Modes <sup>1</sup>**

Mode	$\bar{E}$	$\bar{G}$	$\bar{W}$	DQ0-DQ7
Read	V <sub>IL</sub>	V <sub>IL</sub>	V <sub>IH</sub>	Data Out
Write	V <sub>IL</sub>	V <sub>IH</sub>	V <sub>IL</sub>	Data In
Stand-by / Write Inhibit	V <sub>IH</sub>	X	X	Hi-Z
Write Inhibit	X	X	V <sub>IH</sub>	Data Out or Hi-Z
Write Inhibit	X	V <sub>IL</sub>	X	Data Out or Hi-Z
Output Disable	X	V <sub>IH</sub>	X	Hi-Z

Note: 1. X = V<sub>IH</sub> or V<sub>IL</sub>.

**DEVICE OPERATION**

In order to prevent data corruption and inadvertent write operations, an internal V<sub>CC</sub> comparator inhibits the Write operations if the V<sub>CC</sub> voltage is lower than V<sub>WI</sub> (see Table 4A to Table 4C). Once the voltage applied on the V<sub>CC</sub> pin goes over the V<sub>WI</sub> threshold (V<sub>CC</sub>>V<sub>WI</sub>), write access to the memory is allowed after a time-out t<sub>PUW</sub>, as specified in Table 4A to Table 4C.

Further protection against data corruption is offered by the  $\bar{E}$  and  $\bar{W}$  low pass filters: any glitch, on the  $\bar{E}$  and  $\bar{W}$  inputs, with a pulse width less than 10 ns (typical) is internally filtered out to prevent inadvertent write operations to the memory.

**Read**

The device is accessed like a static RAM. When  $\bar{E}$  and  $\bar{G}$  are low, and  $\bar{W}$  is high, the contents of the addressed location are presented on the I/O pins.

**Table 4A. Power-Up Timing<sup>1</sup> for M28010 (5V range)**  
(T<sub>A</sub> = -40 to 85 °C; V<sub>CC</sub> = 4.5 to 5.5 V)

Symbol	Parameter	Min.	Max.	Unit
t <sub>PUR</sub>	Time Delay to Read Operation	5		ms
t <sub>PUW</sub>	Time Delay to Write Operation (once V <sub>CC</sub> ≥ V <sub>WI</sub> )	5		ms
V <sub>WI</sub>	Write Inhibit Threshold	3.0	4.2	V

Note: 1. Sampled only, not 100% tested.

**Table 4B. Power-Up Timing<sup>1</sup> for M28010-W (3V range)**  
(T<sub>A</sub> = -40 to 85 °C; V<sub>CC</sub> = 2.7 to 3.6 V)

Symbol	Parameter	Min.	Max.	Unit
t <sub>PUR</sub>	Time Delay to Read Operation	5		ms
t <sub>PUW</sub>	Time Delay to Write Operation (once V <sub>CC</sub> ≥ V <sub>WI</sub> )	5		ms
V <sub>WI</sub>	Write Inhibit Threshold	2.0	2.6	V

Note: 1. Sampled only, not 100% tested.

**Table 4C. Power-Up Timing<sup>1</sup> for M28010-R (2V range)**  
(T<sub>A</sub> = -40 to 85 °C; V<sub>CC</sub> = 1.8 to 2.4 V)

Symbol	Parameter	Min.	Max.	Unit
t <sub>PUR</sub>	Time Delay to Read Operation	5		ms
t <sub>PUW</sub>	Time Delay to Write Operation (once V <sub>CC</sub> ≥ V <sub>WI</sub> )	5		ms
V <sub>WI</sub>	Write Inhibit Threshold	1.2	1.7	V

Note: 1. Sampled only, not 100% tested.

Otherwise, when either  $\overline{G}$  or  $\overline{E}$  is high, the I/O pins revert to their high impedance state.

### Write

Write operations are initiated when both  $\overline{W}$  and  $\overline{E}$  are low and  $\overline{G}$  is high. The device supports both  $\overline{W}$ -controlled and  $\overline{E}$ -controlled write cycles (as shown in Figure 12 and Figure 13). The address is latched during the falling edge of  $\overline{W}$  or  $\overline{E}$  (which ever occurs later) and the data is latched on the rising edge of  $\overline{W}$  or  $\overline{E}$  (which ever occurs first). Af-

ter a delay,  $t_{WLQ5H}$ , that cannot be shorter than the value specified in Table 9A to Table 9C, the internal write cycle starts. It continues, under internal timing control, until the write operation is complete. The commencement of this period can be detected by reading the Page Load Timer Status on DQ5. The end of the internal write cycle can be detected by reading the status of the Data Polling and the Toggle Bit functions on DQ7 and DQ6.

**Figure 4. Software Data Protection Enable Algorithms (with or without Memory Write)**

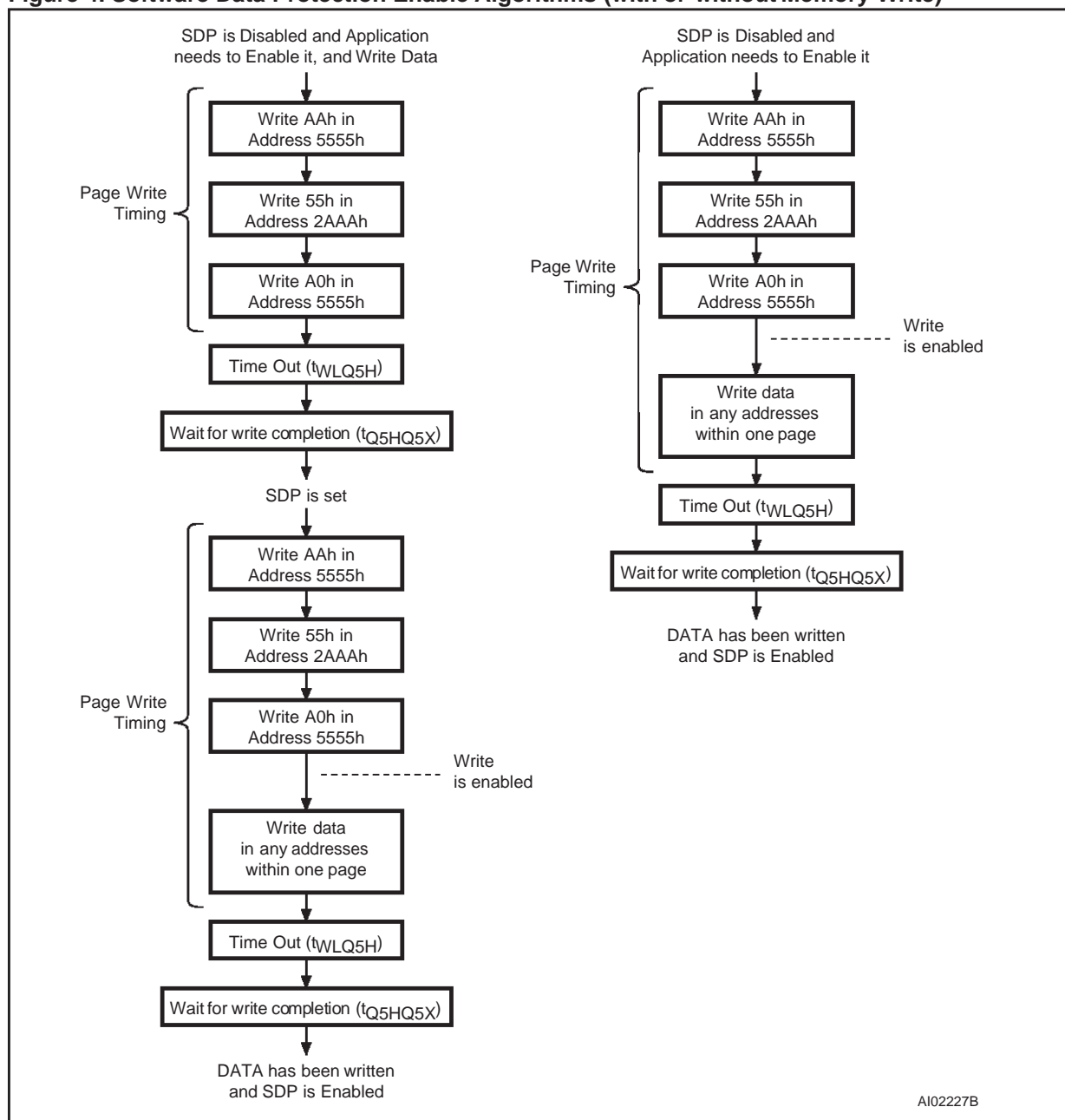
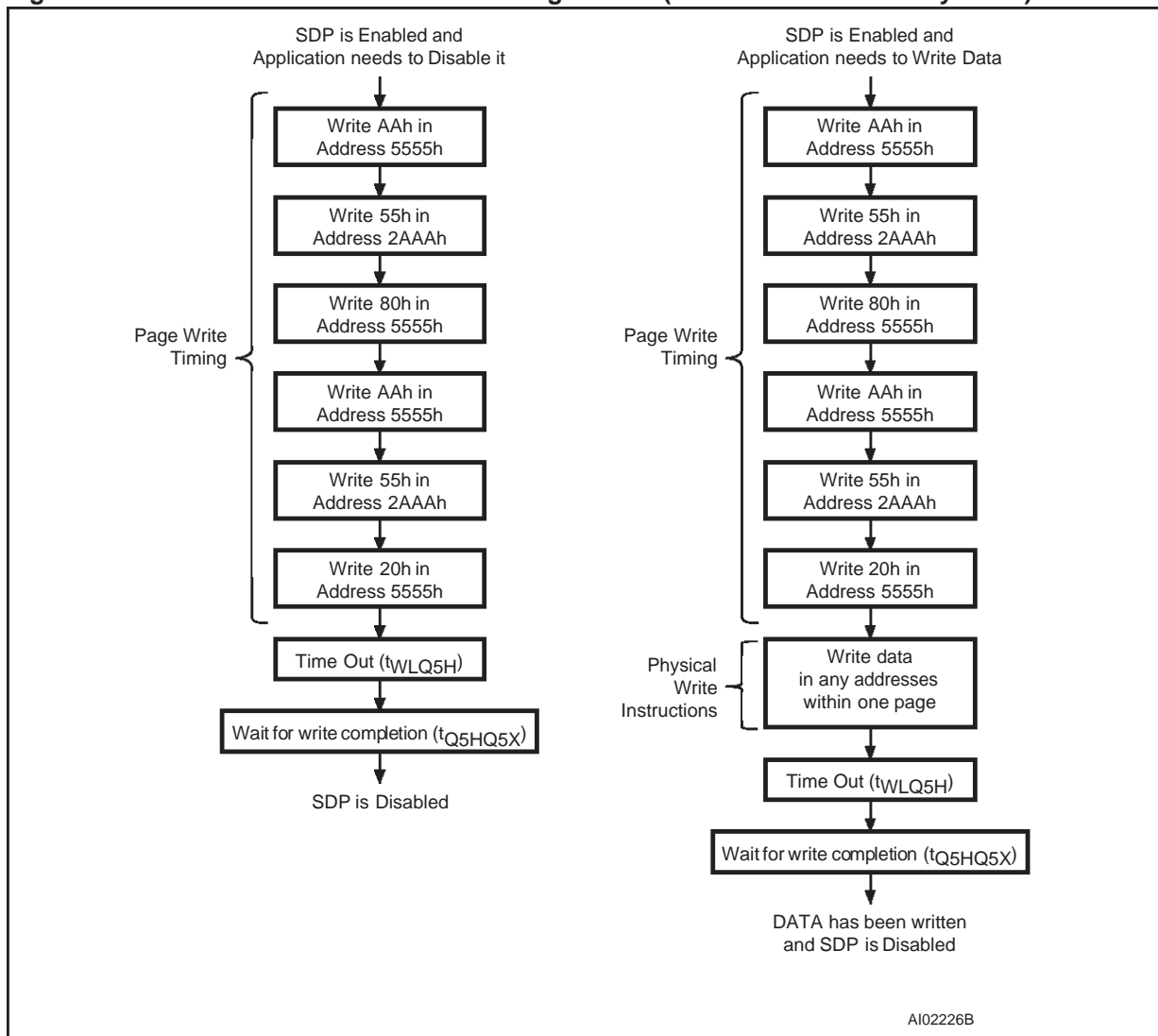


Figure 5. Software Data Protection Disable Algorithms (with or without Memory Write)



### Page Write

The Page Write mode allows up to 128 bytes to be written on a single page in a single go. This is achieved through a series of successive Write operations, no two of which are separated by more than the  $t_{WLQ5H}$  value (as specified in Table 9A to Table 9C).

The page write can be initiated during any byte write operation. Following the first Byte Write instruction, the host may send another address and data with a minimum data transfer rate of:

$$1/t_{WLQ5H}$$

The internal write cycle can start at any instant after  $t_{WLQ5H}$ . Once initiated, the write operation is internally timed, and continues, uninterrupted, until completion.

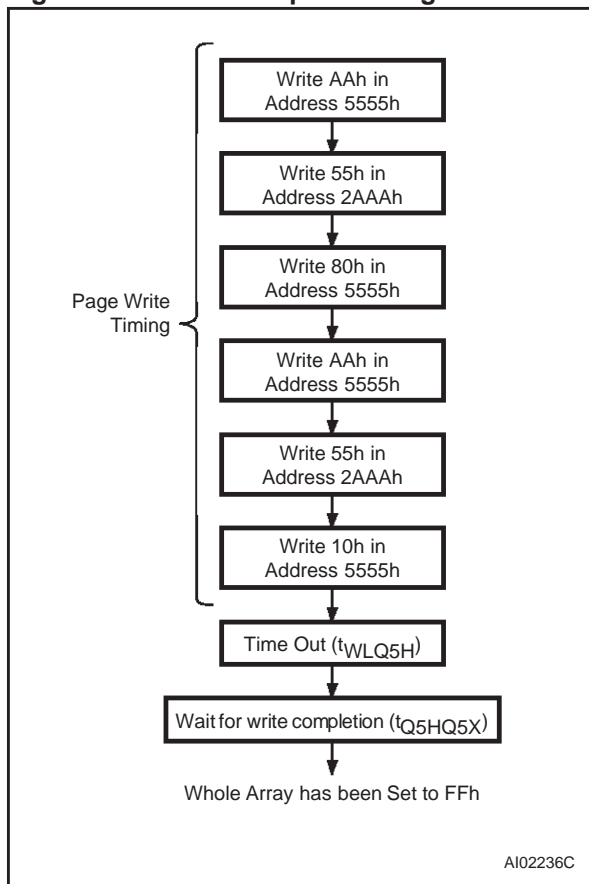
All bytes must be located on the same page address (A16-A7 must be the same for all bytes). Otherwise, the Page Write operation is not executed. The Page Write Abort event is indicated to the application via DQ1 (as described on page 8).

As with the single byte Write operation, described above, the DQ5, DQ6 and DQ7 lines can be used to detect the beginning and end of the internally controlled phase of the Page Write cycle.

### Software Data Protection (SDP)

The device offers a software-controlled write-protection mechanism that allows the user to inhibit all write operations to the device, including chip erase. This can be useful for protecting the memory from inadvertent write cycles that may occur during periods of instability (uncontrolled bus conditions when excessive noise is detected, or when

Figure 6. Software Chip Erase Algorithm



power supply levels are outside their specified values).

By default, the device is shipped in the “unprotected” state: the memory contents can be freely changed by the user. Once the Software Data Protection Mode is enabled, all write commands are ignored, and have no effect on the memory contents.

The device remains in this mode until a valid Software Data Protection disable sequence is received. The device reverts to its “unprotected” state.

The status of the Software Data Protection (enabled or disabled) is represented by a non-volatile latch, and is remembered across periods of the power being off.

The Software Data Protection Enable command consists of the writing of three specific data bytes to three specific memory locations (each location being on a different page), as shown in Figure 4.

Similarly, to disable the Software Data Protection, the user has to write specific data bytes into six different locations, as shown in Figure 5. This complex series of operations protects against the

Figure 7. Status Bit Assignment

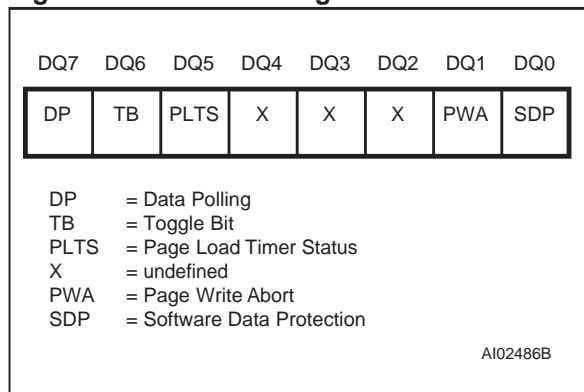
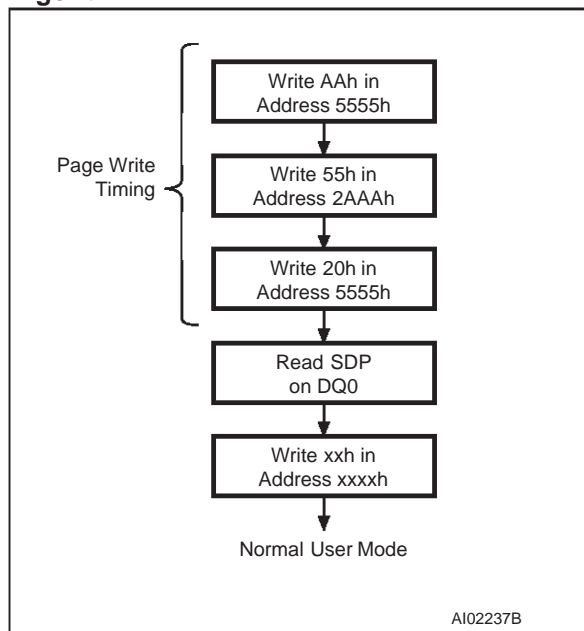


Figure 8. Software Data Protection Status Read Algorithm



chance of inadvertent enabling or disabling of the Software Data Protection mechanism.

When SDP is enabled, the memory array can still have data written to it, but the sequence is more complex (and hence better protected from inadvertent use). The sequence is as shown in Figure 5. This consists of an unlock key, to enable the write action, at the end of which the SDP continues to be enabled. This allows the SDP to be enabled, and data to be written, within a single Write cycle (twc).

### Software Chip Erase

The device can be erased (with all bytes set to FFh) by using a six-byte software command code. This operation can be initiated only if the user loads, with a Page Write addressing mode, six

specific data bytes to six specific locations (as shown in Figure 6). The complexity of the sequence has been designed to guard against inadvertent use of the command.

**Status Bits**

The devices provide five status bits (DQ7, DQ6, DQ5, DQ1 and DQ0) for use during write operations. These allow the application to use the write time latency of the device for getting on with other work. These signals are available on the I/O port bits DQ7, DQ6, DQ5, DQ1 and DQ0 (but only during the internal write cycle,  $t_{Q5HQ5X}$ ).

**Data Polling bit (DQ7).** The internally timed write cycle starts as soon as  $t_{WLQ5H}$  (defined in Table 9A to Table 9C) has elapsed since the previous byte was latched in to the memory. The value of the DQ7 bit of this last byte, is used as a signal throughout this write operation: it is inverted while the internal write operation is underway, and is inverted back to its original value once the operation is complete.

**Toggle bit (DQ6).** The device offers another way for determining when the internal write cycle is running. During the internal write cycle, DQ6 toggles from '0' to '1' and '1' to '0' (the first read value being '0') on subsequent attempts to read any byte of the memory. When the internal write cycle is complete, the toggling is stopped, and the values read on DQ7-DQ0 are those of the addressed memory byte. This indicates that the device is again available for new Read and Write operations.

**Page Load Timer Status bit (DQ5).** An internal timer is used to measure the period between suc-

cessive Write operations, up to  $t_{WLQ5H}$  (defined in Table 9A to Table 9C). The DQ5 line is held low to show when this timer is running (hence showing that the device has received one write operation, and is waiting for the next). The DQ5 line is held high when the counter has overflowed (hence showing that the device is now starting the internal write to the memory array).

**Page Write Abort bit (DQ1).** During a page write operation, the A16 to A7 signals should be kept constant. They should not change while successive data bytes are being transferred to the internal latches of the memory device. If a change occurs on any of the pins, A16 to A7, during the page write operation (that is, before the falling edge of  $\bar{W}$  or  $\bar{E}$ , whichever occurs later), the internal write cycle is not started, and the internal circuitry is completely reset.

The abort signal can be observed on the DQ1 pin, using a normal read operation. This can be performed at any time during the byte load cycle,  $t_{WLQ5H}$ , or while the  $\bar{W}$  input is being held high between two load cycles. The default value of DQ1 is initially set to '0' and changes to '1' if the internal circuitry has detected a change on any of the address pins A16 to A7. This PWA bit can be checked regardless of whether Software Data Protection is enabled or disabled.

**Software Data Protection bit (DQ0).** Reading the SDP bit (DQ0) allows the user to determine whether the Software Data Protection mode has been enabled (SDP=1) or disabled (SDP=0). The SDP bit (DQ0) can be read by using a dedicated algorithm (as shown in Figure 8), or can be combined

**Table 5A. Read Mode DC Characteristics for M28010 (5V range)**

( $T_A = -40$  to  $85$  °C;  $V_{CC} = 4.5$  to  $5.5$  V)

Symbol	Parameter	Test Condition	Min.	Max.	Unit
$I_{LI}$	Input Leakage Current	$0 V \leq V_{IN} \leq V_{CC}$		5	$\mu A$
$I_{LO}$	Output Leakage Current	$0 V \leq V_{OUT} \leq V_{CC}$		5	$\mu A$
$I_{CC}^1$	Supply Current (CMOS inputs)	$\bar{E} = V_{IL}, \bar{G} = V_{IL}, f = 0.1$ MHz		2	mA
		$\bar{E} = V_{IL}, \bar{G} = V_{IL}, f = 5$ MHz		22	mA
		$\bar{E} = V_{IL}, \bar{G} = V_{IL}, f = 10$ MHz		40	mA
$I_{CC1}^1$	Supply Current (Stand-by) CMOS	$\bar{E} > V_{CC} - 0.3$ V		30	$\mu A$
$V_{IL}$	Input Low Voltage		-0.3	0.8	V
$V_{IH}$	Input High Voltage		2	$V_{CC} + 0.3$	V
$V_{OL}$	Output Low Voltage	$I_{OL} = 2.1$ mA		0.4	V
$V_{OH}$	Output High Voltage	$I_{OH} = -400$ $\mu A$	2.4		V

Note: 1. All inputs and outputs open circuit.





**Table 5B. Read Mode DC Characteristics for M28010-W (3V range)** $(T_A = -40$  to  $85$  °C;  $V_{CC} = 2.7$  to  $3.6$  V)

Symbol	Parameter	Test Condition	Min.	Max.	Unit
$I_{LI}$	Input Leakage Current	$0\text{ V} \leq V_{IN} \leq V_{CC}$		5	$\mu\text{A}$
$I_{LO}$	Output Leakage Current	$0\text{ V} \leq V_{OUT} \leq V_{CC}$		5	$\mu\text{A}$
$I_{CC}^1$	Supply Current (CMOS inputs)	$\bar{E} = V_{IL}, \bar{G} = V_{IL}, f = 0.1\text{ MHz}$		2	mA
		$\bar{E} = V_{IL}, \bar{G} = V_{IL}, f = 5\text{ MHz}$		15	mA
		$\bar{E} = V_{IL}, \bar{G} = V_{IL}, f = 10\text{ MHz}$		26	mA
$I_{CC1}^1$	Supply Current (Stand-by) CMOS	$\bar{E} > V_{CC} - 0.3\text{ V}$		30	$\mu\text{A}$
$V_{IL}$	Input Low Voltage		-0.3	0.6	V
$V_{IH}$	Input High Voltage		2	$V_{CC} + 0.3$	V
$V_{OL}$	Output Low Voltage	$I_{OL} = 1.6\text{ mA}$		0.45	V
$V_{OH}$	Output High Voltage	$I_{OH} = -100\ \mu\text{A}$	2.4		V

Note: 1. All inputs and outputs open circuit.

**Table 5C. Read Mode DC Characteristics for M28010-R (2V range)** $(T_A = -40$  to  $85$  °C;  $V_{CC} = 1.8$  to  $2.4$  V)

Symbol	Parameter	Test Condition	Min.	Max.	Unit
$I_{LI}$	Input Leakage Current	$0\text{ V} \leq V_{IN} \leq V_{CC}$		5	$\mu\text{A}$
$I_{LO}$	Output Leakage Current	$0\text{ V} \leq V_{OUT} \leq V_{CC}$		5	$\mu\text{A}$
$I_{CC}^1$	Supply Current (CMOS inputs)	$\bar{E} = V_{IL}, \bar{G} = V_{IL}, f = 0.1\text{ MHz}, V_{CC} = 2.4\text{ V}$		2	mA
		$\bar{E} = V_{IL}, \bar{G} = V_{IL}, f = 5\text{ MHz}, V_{CC} = 2.4\text{ V}$		12	mA
$I_{CC1}^1$	Supply Current (Stand-by) CMOS	$\bar{E} > V_{CC} - 0.3\text{ V}$		30	$\mu\text{A}$
$V_{IL}$	Input Low Voltage		-0.3	0.2	V
$V_{IH}$	Input High Voltage		$V_{CC} - 0.3$	$V_{CC} + 0.3$	V
$V_{OL}$	Output Low Voltage	$I_{OL} = 0.4\text{ mA}$		0.15	V
$V_{OH}$	Output High Voltage	$I_{OH} = -100\ \mu\text{A}$	$V_{CC} - 0.15$		V

Note: 1. All inputs and outputs open circuit.

with the reading of the DP bit (DQ7), TB bit (DQ6) and PLTS bit (DQ5).

# M28010

**Table 6. Input and Output Parameters<sup>1</sup>** ( $T_A = 25\text{ }^\circ\text{C}$ ,  $f = 1\text{ MHz}$ )

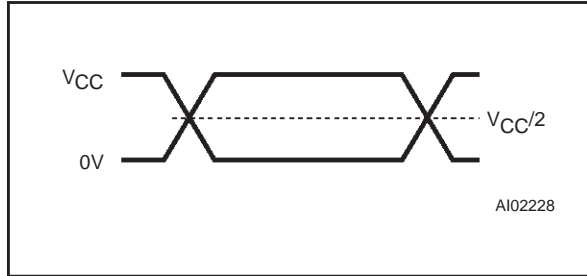
Symbol	Parameter	Test Condition	Min.	Max.	Unit
$C_{IN}$	Input Capacitance	$V_{IN} = 0\text{ V}$		6	pF
$C_{OUT}$	Output Capacitance	$V_{OUT} = 0\text{ V}$		12	pF

Note: 1. Sampled only, not 100% tested.

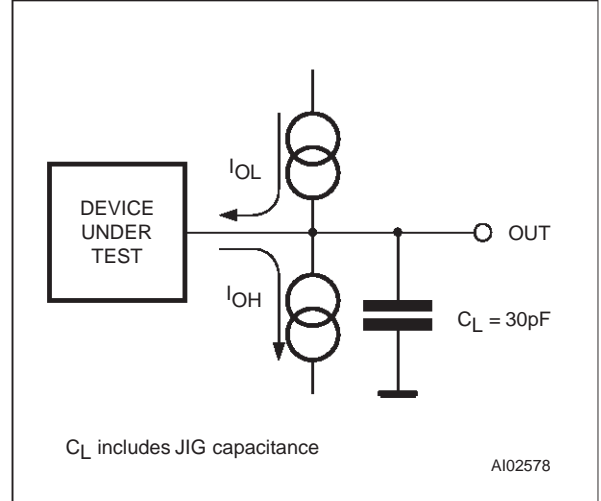
**Table 7. AC Measurement Conditions**

Input Rise and Fall Times	$\leq 5\text{ ns}$
Input Pulse Voltages	0 V to $V_{CC}$
Input and Output Timing Ref. Voltages	$V_{CC}/2$

**Figure 9. AC Testing Input Output Waveforms**



**Figure 10. AC Testing Equivalent Load Circuit**



**Table 8A. Read Mode AC Characteristics for M28010 (5V range)**

( $T_A = -40\text{ to }85\text{ }^\circ\text{C}$ ;  $V_{CC} = 4.5\text{ to }5.5\text{ V}$ )

Symbol	Alt.	Parameter	Test Condition	M28010				Unit
				-10		-12		
				Min	Max	Min	Max	
$t_{AVQV}$	$t_{ACC}$	Address Valid to Output Valid	$\bar{E} = V_{IL}$ , $\bar{G} = V_{IL}$		100		120	ns
$t_{ELQV}$	$t_{CE}$	Chip Enable Low to Output Valid	$\bar{G} = V_{IL}$		100		120	ns
$t_{GLQV}$	$t_{OE}$	Output Enable Low to Output Valid	$\bar{E} = V_{IL}$		40		45	ns
$t_{EHQZ}^1$	$t_{DF}$	Chip Enable High to Output Hi-Z	$\bar{G} = V_{IL}$	0	40	0	45	ns
$t_{GHQZ}^1$	$t_{DF}$	Output Enable High to Output Hi-Z	$\bar{E} = V_{IL}$	0	40	0	45	ns
$t_{AXQX}$	$t_{OH}$	Address Transition to Output Transition	$\bar{E} = V_{IL}$ , $\bar{G} = V_{IL}$	0		0		ns

Note: 1. Output Hi-Z is defined as the point at which data is no longer driven.

**Table 8B. Read Mode AC Characteristics for M28010-W (3V range)**(T<sub>A</sub> = -40 to 85 °C; V<sub>CC</sub> = 2.7 to 3.6 V)

Symbol	Alt.	Parameter	Test Condition	M28010-W						Unit
				-10		-12		-15		
				Min	Max	Min	Max	Min	Max	
t <sub>AVQV</sub>	t <sub>ACC</sub>	Address Valid to Output Valid	$\overline{E} = V_{IL}, \overline{G} = V_{IL}$		100		120		150	ns
t <sub>ELQV</sub>	t <sub>CE</sub>	Chip Enable Low to Output Valid	$\overline{G} = V_{IL}$		100		120		150	ns
t <sub>GLQV</sub>	t <sub>OE</sub>	Output Enable Low to Output Valid	$\overline{E} = V_{IL}$		70		80		100	ns
t <sub>EHQZ</sub> <sup>1</sup>	t <sub>DF</sub>	Chip Enable High to Output Hi-Z	$\overline{G} = V_{IL}$	0	50	0	60	0	70	ns
t <sub>GHQZ</sub> <sup>1</sup>	t <sub>DF</sub>	Output Enable High to Output Hi-Z	$\overline{E} = V_{IL}$	0	50	0	60	0	70	ns
t <sub>AXQX</sub>	t <sub>OH</sub>	Address Transition to Output Transition	$\overline{E} = V_{IL}, \overline{G} = V_{IL}$	0		0		0		ns

Note: 1. Output Hi-Z is defined as the point at which data is no longer driven.

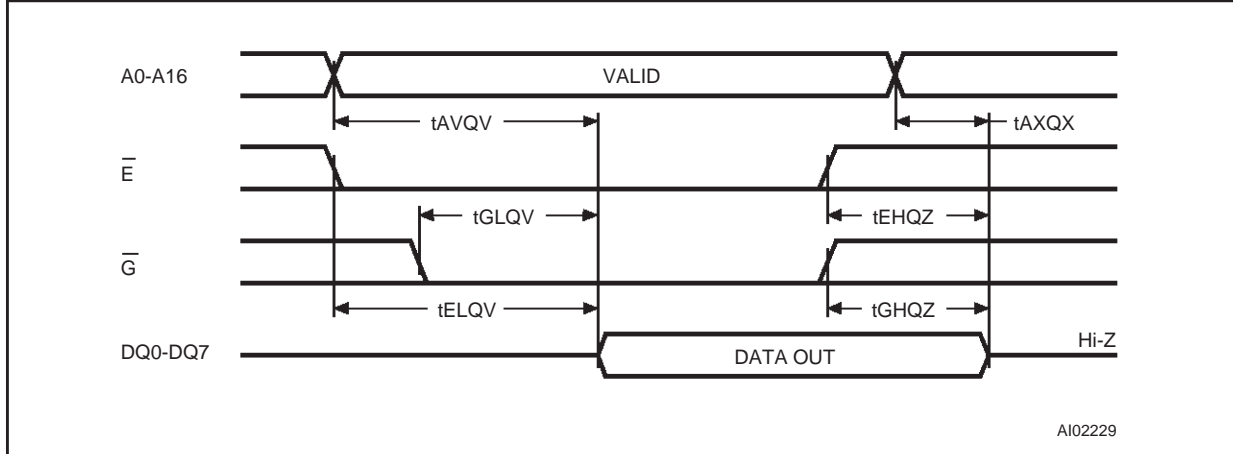
**Table 8C. Read Mode AC Characteristics for M28010-R (2V range)**(T<sub>A</sub> = -40 to 85 °C; V<sub>CC</sub> = 1.8 to 2.4 V)

Symbol	Alt.	Parameter	Test Condition	M28010-R				Unit
				-20		-25		
				Min	Max	Min	Max	
t <sub>AVQV</sub>	t <sub>ACC</sub>	Address Valid to Output Valid	$\overline{E} = V_{IL}, \overline{G} = V_{IL}$		200		250	ns
t <sub>ELQV</sub>	t <sub>CE</sub>	Chip Enable Low to Output Valid	$\overline{G} = V_{IL}$		200		250	ns
t <sub>GLQV</sub>	t <sub>OE</sub>	Output Enable Low to Output Valid	$\overline{E} = V_{IL}$		80		90	ns
t <sub>EHQZ</sub> <sup>1</sup>	t <sub>DF</sub>	Chip Enable High to Output Hi-Z	$\overline{G} = V_{IL}$	0	50	0	60	ns
t <sub>GHQZ</sub> <sup>1</sup>	t <sub>DF</sub>	Output Enable High to Output Hi-Z	$\overline{E} = V_{IL}$	0	50	0	60	ns
t <sub>AXQX</sub>	t <sub>OH</sub>	Address Transition to Output Transition	$\overline{E} = V_{IL}, \overline{G} = V_{IL}$	0		0		ns

Note: 1. Output Hi-Z is defined as the point at which data is no longer driven.

# M28010

**Figure 11. Read Mode AC Waveforms (with Write Enable,  $\overline{W}$ , high)**



Note: 1. Write Enable ( $\overline{W}$ ) =  $V_{IH}$

**Table 9A. Write Mode AC Characteristics for M28010 (5V range)**  
( $T_A = -40$  to  $85$  °C;  $V_{CC} = 4.5$  to  $5.5$  V)

Symbol	Alt.	Parameter	Test Condition	M28010		Unit
				Min	Max	
$t_{AWL}$	$t_{AS}$	Address Valid to Write Enable Low	$\overline{E} = V_{IL}, \overline{G} = V_{IH}$	0		ns
$t_{AVEL}$	$t_{AS}$	Address Valid to Chip Enable Low	$\overline{G} = V_{IH}, \overline{W} = V_{IL}$	0		ns
$t_{ELWL}$	$t_{CES}$	Chip Enable Low to Write Enable Low	$\overline{G} = V_{IH}$	0		ns
$t_{GHWL}$	$t_{OES}$	Output Enable High to Write Enable Low	$\overline{E} = V_{IL}$	0		ns
$t_{GHEL}$	$t_{OES}$	Output Enable High to Chip Enable Low	$\overline{W} = V_{IL}$	0		ns
$t_{WLEL}$	$t_{WES}$	Write Enable Low to Chip Enable Low	$\overline{G} = V_{IH}$	0		ns
$t_{WLAX}$	$t_{AH}$	Write Enable Low to Address Transition		70		ns
$t_{ELAX}$	$t_{AH}$	Chip Enable Low to Address Transition		70		ns
$t_{ELEH}$	$t_{WP}$	Chip Enable Low to Chip Enable High		100		ns
$t_{WHEH}$	$t_{CEH}$	Write Enable High to Chip Enable High		0		ns
$t_{WHGL}$	$t_{OEH}$	Write Enable High to Output Enable Low		0		ns
$t_{EHWL}$	$t_{WEH}$	Chip Enable High to Write Enable High		0		ns
$t_{WHDX}$	$t_{DH}$	Write Enable High to Input Transition		0		ns
$t_{EHDX}$	$t_{DH}$	Chip Enable High to Input Transition		0		ns
$t_{WHWL}$	$t_{WPH}$	Write Enable High to Write Enable Low		50		ns
$t_{WLWH}$	$t_{WP}$	Write Enable Low to Write Enable High		100		ns
$t_{WLQ5H}$	$t_{BLC}$	Time-out after the last byte write		150		$\mu$ s
$t_{Q5HQ5X}$	$t_{WC}$	Byte Write Cycle time			5	ms
		Page Write Cycle time (up to 128 bytes)			10	ms
$t_{DVWH}$	$t_{DS}$	Data Valid before Write Enable High		50		ns
$t_{DVEH}$	$t_{DS}$	Data Valid before Chip Enable High		50		ns

**Table 9B. Write Mode AC Characteristics for M28010-W (3V range)**(T<sub>A</sub> = -40 to 85 °C; V<sub>CC</sub> = 2.7 to 3.6 V)

Symbol	Alt.	Parameter	Test Condition	M28010-W		Unit
				Min	Max	
t <sub>AVWL</sub>	t <sub>AS</sub>	Address Valid to Write Enable Low	$\bar{E} = V_{IL}, \bar{G} = V_{IH}$	0		ns
t <sub>AVEL</sub>	t <sub>AS</sub>	Address Valid to Chip Enable Low	$\bar{G} = V_{IH}, \bar{W} = V_{IL}$	0		ns
t <sub>ELWL</sub>	t <sub>CES</sub>	Chip Enable Low to Write Enable Low	$\bar{G} = V_{IH}$	0		ns
t <sub>GHWL</sub>	t <sub>OES</sub>	Output Enable High to Write Enable Low	$\bar{E} = V_{IL}$	0		ns
t <sub>GHEL</sub>	t <sub>OES</sub>	Output Enable High to Chip Enable Low	$\bar{W} = V_{IL}$	0		ns
t <sub>WLEL</sub>	t <sub>WES</sub>	Write Enable Low to Chip Enable Low	$\bar{G} = V_{IH}$	0		ns
t <sub>WLAX</sub>	t <sub>AH</sub>	Write Enable Low to Address Transition		70		ns
t <sub>ELAX</sub>	t <sub>AH</sub>	Chip Enable Low to Address Transition		70		ns
t <sub>ELEH</sub>	t <sub>WP</sub>	Chip Enable Low to Chip Enable High		100		ns
t <sub>WHEH</sub>	t <sub>CEH</sub>	Write Enable High to Chip Enable High		0		ns
t <sub>WHGL</sub>	t <sub>OEH</sub>	Write Enable High to Output Enable Low		0		ns
t <sub>EHWH</sub>	t <sub>WEH</sub>	Chip Enable High to Write Enable High		0		ns
t <sub>WHDX</sub>	t <sub>DH</sub>	Write Enable High to Input Transition		0		ns
t <sub>EHDX</sub>	t <sub>DH</sub>	Chip Enable High to Input Transition		0		ns
t <sub>WHWL</sub>	t <sub>VPH</sub>	Write Enable High to Write Enable Low		50		ns
t <sub>WLWH</sub>	t <sub>WP</sub>	Write Enable Low to Write Enable High		100		ns
t <sub>WLQ5H</sub>	t <sub>BLC</sub>	Time-out after the last byte write		150		μs
t <sub>Q5HQ5X</sub>	t <sub>WC</sub>	Byte Write Cycle time			5	ms
		Page Write Cycle time (up to 128 bytes)			10	ms
t <sub>DVWH</sub>	t <sub>DS</sub>	Data Valid before Write Enable High		50		ns
t <sub>DVEH</sub>	t <sub>DS</sub>	Data Valid before Chip Enable High		50		ns

## M28010

**Table 9C. Write Mode AC Characteristics for M28010-R (2V range)**

( $T_A = -40$  to  $85$  °C;  $V_{CC} = 1.8$  to  $2.4$  V)

Symbol	Alt.	Parameter	Test Condition	M28010-R		Unit
				Min	Max	
$t_{AVWL}$	$t_{AS}$	Address Valid to Write Enable Low	$\bar{E} = V_{IL}, \bar{G} = V_{IH}$	0		ns
$t_{AVEL}$	$t_{AS}$	Address Valid to Chip Enable Low	$\bar{G} = V_{IH}, \bar{W} = V_{IL}$	0		ns
$t_{ELWL}$	$t_{CES}$	Chip Enable Low to Write Enable Low	$\bar{G} = V_{IH}$	0		ns
$t_{GHWL}$	$t_{OES}$	Output Enable High to Write Enable Low	$\bar{E} = V_{IL}$	0		ns
$t_{GHEL}$	$t_{OES}$	Output Enable High to Chip Enable Low	$\bar{W} = V_{IL}$	0		ns
$t_{WLEL}$	$t_{WES}$	Write Enable Low to Chip Enable Low	$\bar{G} = V_{IH}$	0		ns
$t_{WLAX}$	$t_{AH}$	Write Enable Low to Address Transition		120		ns
$t_{ELAX}$	$t_{AH}$	Chip Enable Low to Address Transition		120		ns
$t_{ELEH}$	$t_{WP}$	Chip Enable Low to Chip Enable High		120		ns
$t_{WHEH}$	$t_{CEH}$	Write Enable High to Chip Enable High		0		ns
$t_{WHGL}$	$t_{OEH}$	Write Enable High to Output Enable Low		0		ns
$t_{EHWH}$	$t_{VEH}$	Chip Enable High to Write Enable High		0		ns
$t_{WHDX}$	$t_{DH}$	Write Enable High to Input Transition		0		ns
$t_{EHDX}$	$t_{DH}$	Chip Enable High to Input Transition		0		ns
$t_{WHWL}$	$t_{WPH}$	Write Enable High to Write Enable Low		100		ns
$t_{WLWH}$	$t_{WP}$	Write Enable Low to Write Enable High		120		ns
$t_{WLQ5H}$	$t_{BLC}$	Time-out after the last byte write		150		$\mu$ s
$t_{WHRH}$	$t_{WC}$	Byte Write Cycle time			5	ms
		Page Write Cycle time (up to 128 bytes)			10	ms
$t_{DVWH}$	$t_{DS}$	Data Valid before Write Enable High		120		ns
$t_{DVEH}$	$t_{DS}$	Data Valid before Chip Enable High		120		ns

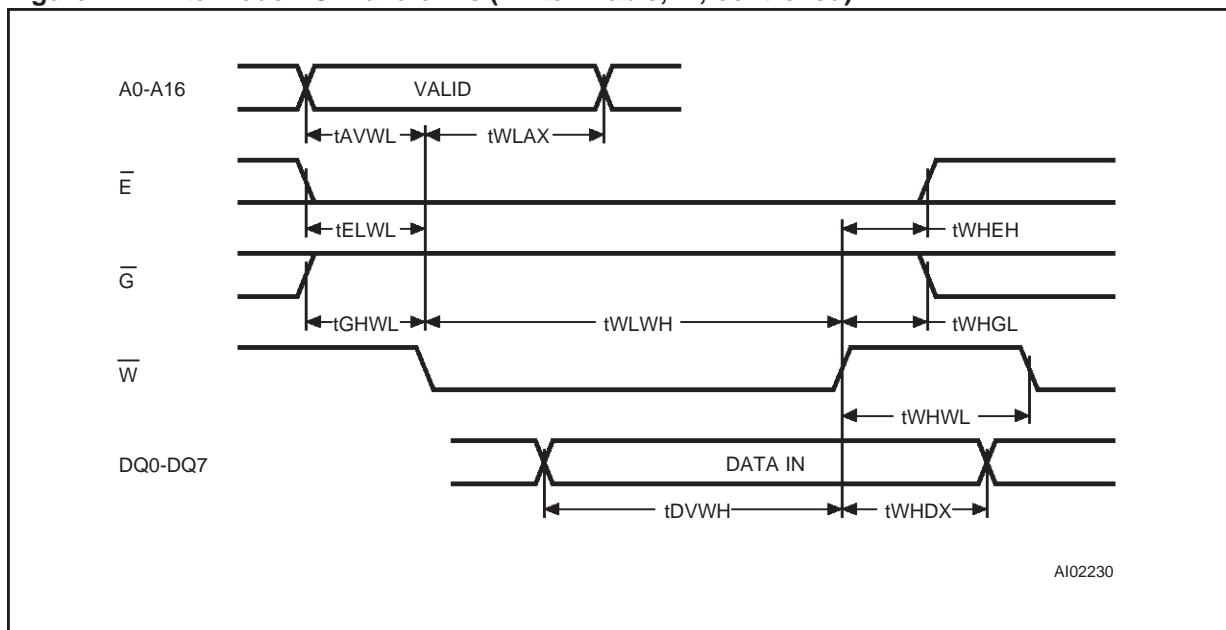
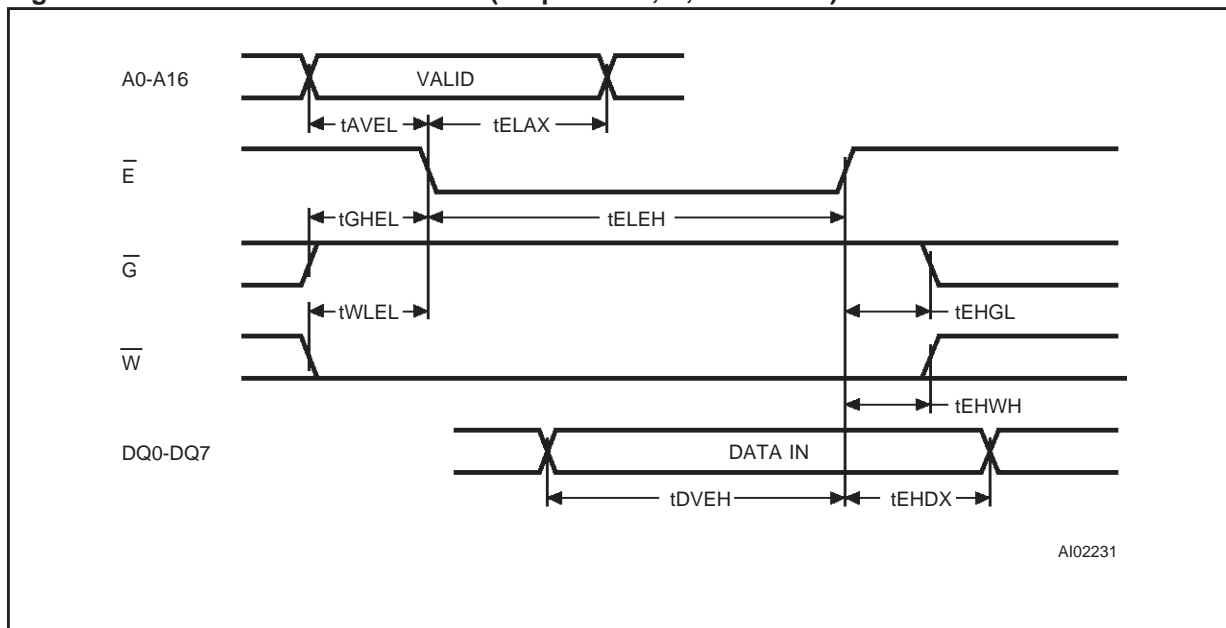
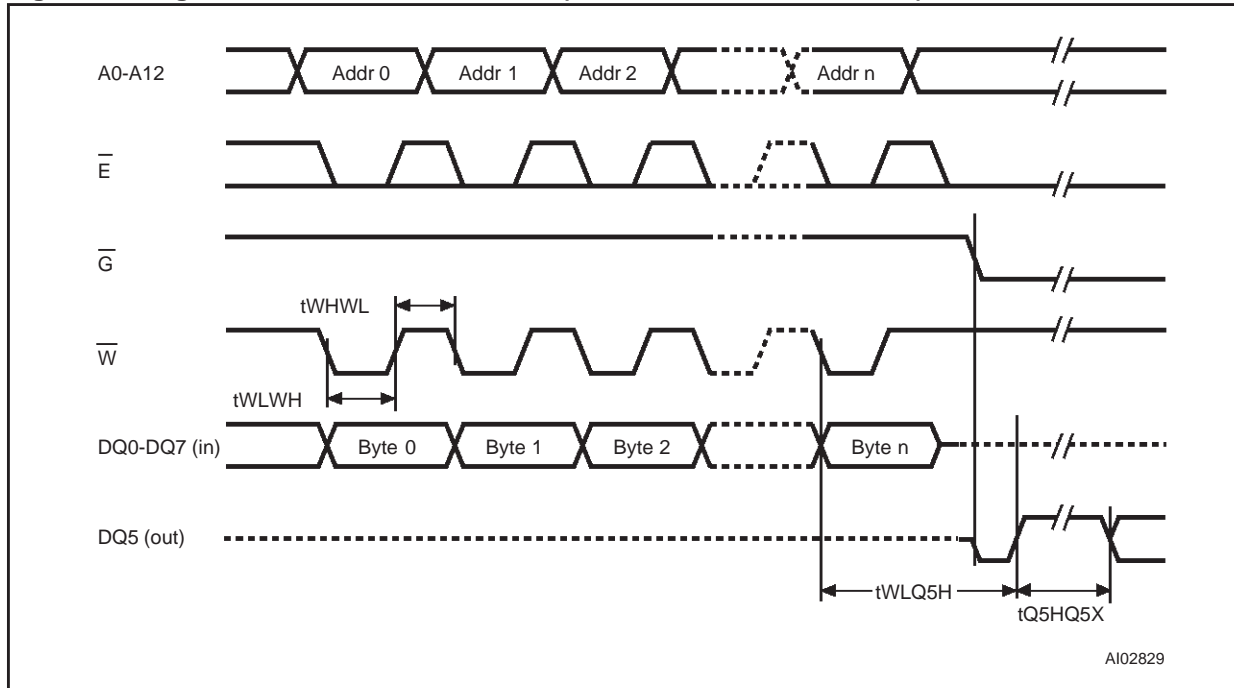
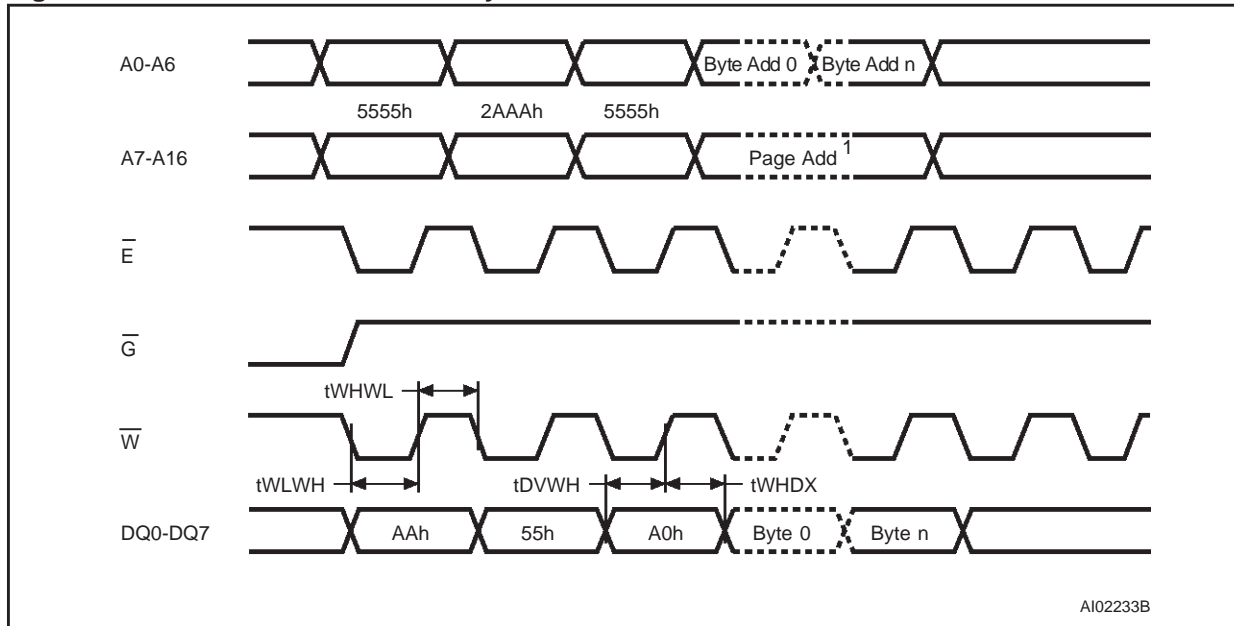
Figure 12. Write Mode AC Waveforms (Write Enable,  $\overline{W}$ , controlled)Figure 13. Write Mode AC Waveforms (Chip Enable,  $\overline{E}$ , controlled)

Figure 14. Page Write Mode AC Waveforms (Write Enable,  $\overline{W}$ , controlled)



AI02829

Figure 15. Software Protected Write Cycle Waveforms



AI02233B

Note: 1. A16 to A7 must specify the same page address during each high-to-low transition of  $\overline{W}$  (or  $\overline{E}$ ).  $\overline{G}$  must be high only when  $\overline{W}$  and  $\overline{E}$  are both low.



Figure 16. Data Polling Sequence Waveforms

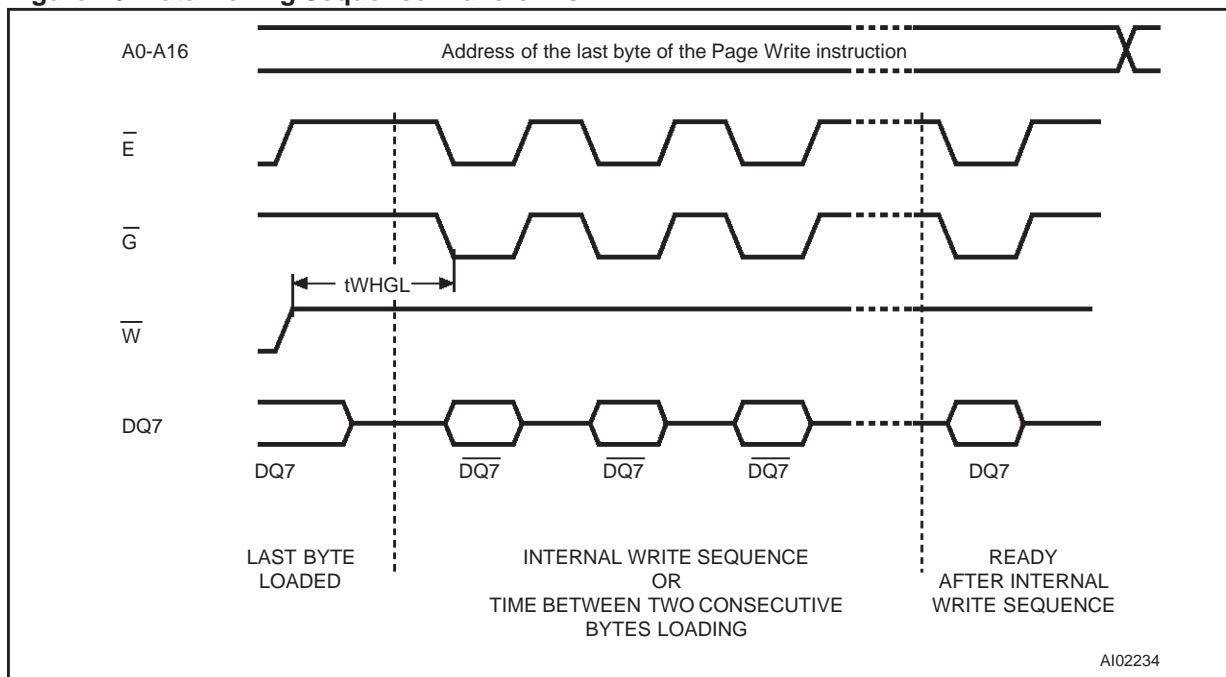
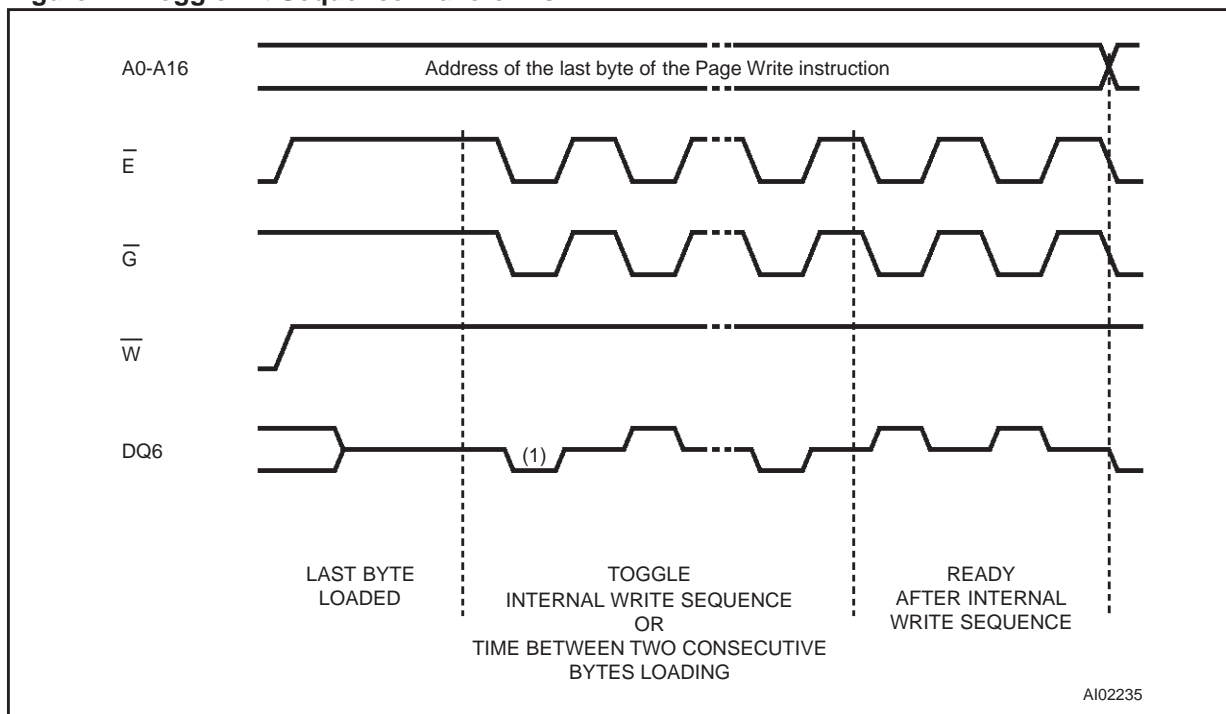


Figure 17. Toggle Bit Sequence Waveforms



Note: 1. The Toggle Bit is first set to '0'.

## M28010

**Table 10. Ordering Information Scheme**

Example: M28010 -10 W KA 6 T

Speed	
-10	100 ns
-12	120 ns
-15	150 ns
-20	200 ns
-25	250 ns

Operating Voltage	
blank	4.5 V to 5.5 V
W	2.7 V to 3.6 V
R	1.8 V to 2.4 V

Option	
T	Tape & Reel Packing

Temperature Range	
1 <sup>1</sup>	0 to 70 °C
6	-40 to 85 °C

Package	
BA	PDIP32
KA	PLCC32
NA	TSOP32: 8 x 20mm

Note: 1. This temperature range on request only.

### ORDERING INFORMATION

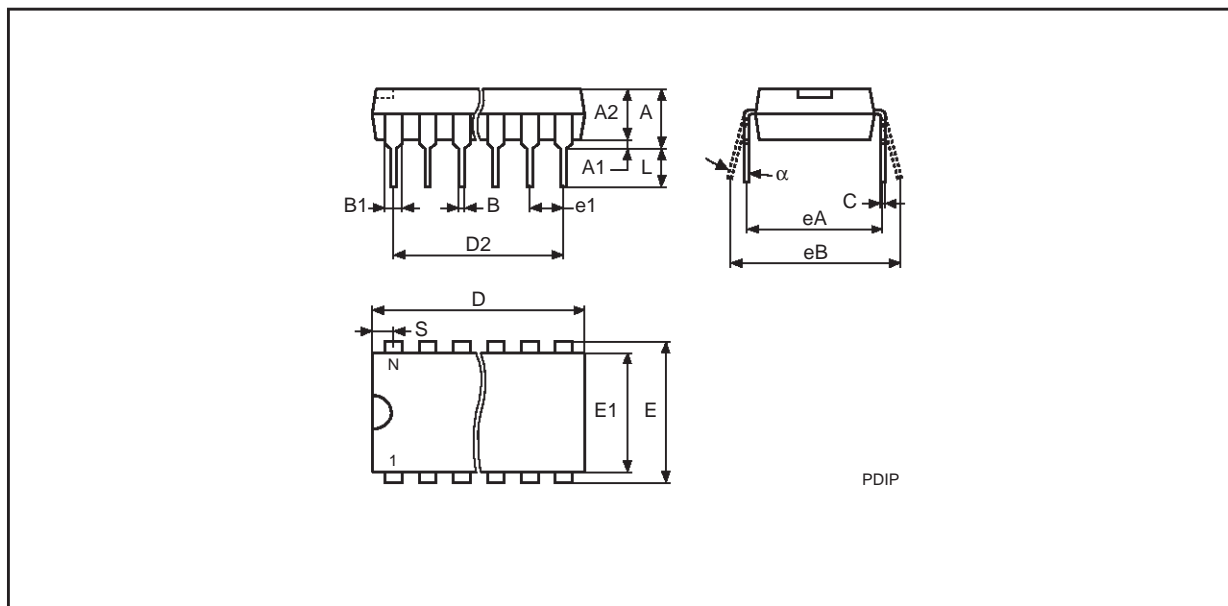
Devices are shipped from the factory with the memory content set at all '1's (FFh).

The notation used for the device number is as shown in Table 10. For a list of available options (speed, package, etc.) or for further information on any aspect of this device, please contact the ST Sales Office nearest to you.

Table 11. PDIP32 - 32 lead Plastic DIP, 600 mils width, Package Mechanical Data

Symbol	mm			inches		
	Typ.	Min.	Max.	Typ.	Min.	Max.
A		–	5.08		–	0.200
A1		0.38	–		0.015	–
A2		3.56	4.06		0.140	0.160
B		0.38	0.51		0.015	0.020
B1	1.52	–	–	0.060	–	–
C		0.20	0.30		0.008	0.012
D		41.78	42.04		1.645	1.655
D2	38.10	–	–	1.500	–	–
E	15.24	–	–	0.600	–	–
E1		13.59	13.84		0.535	0.545
e1	2.54	–	–	0.100	–	–
eA	15.24	–	–	0.600	–	–
eB		15.24	17.78		0.600	0.700
L		3.18	3.43		0.125	0.135
S		1.78	2.03		0.070	0.080
$\alpha$		0°	10°		0°	10°
N		32			32	

Figure 18. PDIP32 (BA)

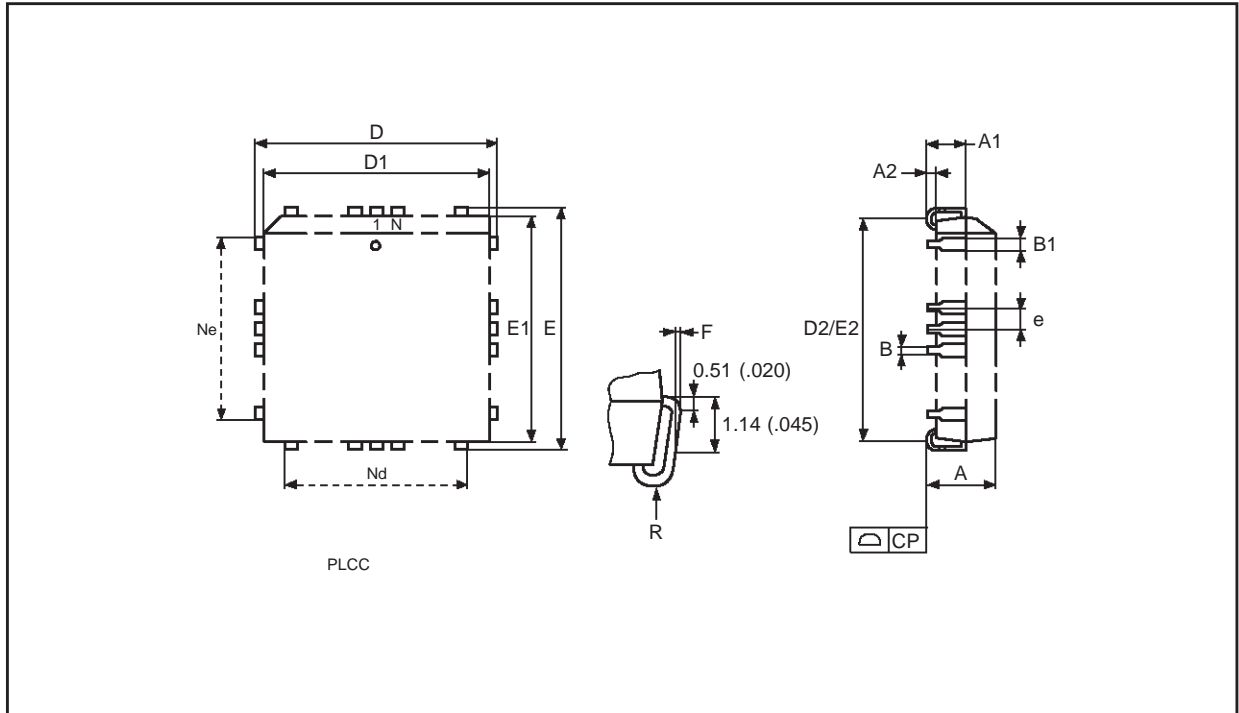


Note: 1. Drawing is not to scale.

Table 12. PLCC32 - 32 lead Plastic Leaded Chip Carrier, rectangular

Symbol	mm			inches		
	Typ.	Min.	Max.	Typ.	Min.	Max.
A		2.54	3.56		0.100	0.140
A1		1.52	2.41		0.060	0.095
A2		–	0.38		–	0.015
B		0.33	0.53		0.013	0.021
B1		0.66	0.81		0.026	0.032
D		12.32	12.57		0.485	0.495
D1		11.35	11.56		0.447	0.455
D2		9.91	10.92		0.390	0.430
E		14.86	15.11		0.585	0.595
E1		13.89	14.10		0.547	0.555
E2		12.45	13.46		0.490	0.530
e	1.27	–	–	0.050	–	–
F		0.00	0.25		0.000	0.010
R	0.89	–	–	0.035	–	–
N		32			32	
Nd		7			7	
Ne		9			9	
CP			0.10			0.004

Figure 19. PLCC32 (KA)

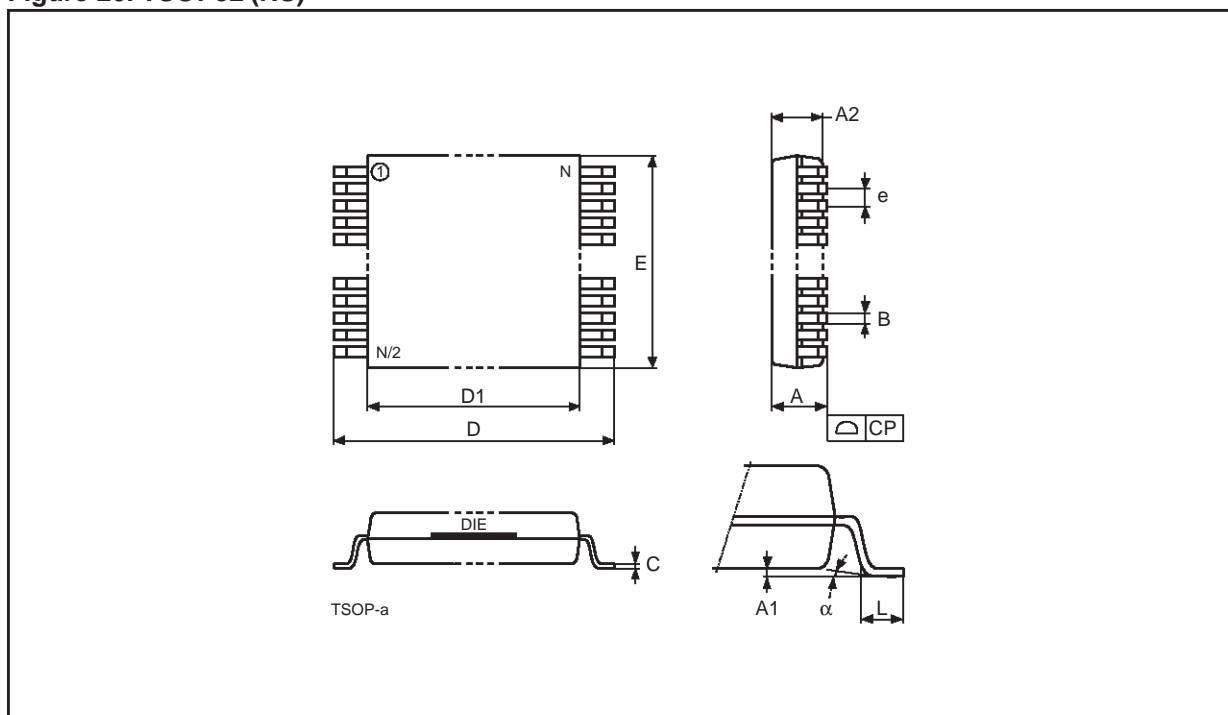


Note: 1. Drawing is not to scale.

Table 13. TSOP32 - 32 lead Plastic Thin Small Outline, 8 x 20mm, Package Mechanical Data

Symbol	mm			inches		
	Typ.	Min.	Max.	Typ.	Min.	Max.
A			1.20			0.047
A1		0.05	0.17		0.002	0.006
A2		0.95	1.05		0.037	0.041
B		0.15	0.27		0.006	0.011
C		0.10	0.21		0.004	0.008
D		19.80	20.20		0.780	0.795
D1		18.30	18.50		0.720	0.728
E		7.90	8.10		0.311	0.319
e	0.50	–	–	0.020	–	–
L		0.50	0.70		0.020	0.028
$\alpha$		0°	5°		0°	5°
N	32			32		
CP			0.10			0.004

Figure 20. TSOP32 (NS)



Note: 1. Drawing is not to scale.

Information furnished is believed to be accurate and reliable. However, STMicroelectronics assumes no responsibility for the consequences of use of such information nor for any infringement of patents or other rights of third parties which may result from its use. No license is granted by implication or otherwise under any patent or patent rights of STMicroelectronics. Specifications mentioned in this publication are subject to change without notice. This publication supersedes and replaces all information previously supplied. STMicroelectronics products are not authorized for use as critical components in life support devices or systems without express written approval of STMicroelectronics.

© 1999 STMicroelectronics - All Rights Reserved

The ST logo is a registered trademark of STMicroelectronics.

All other names are the property of their respective owners.

STMicroelectronics GROUP OF COMPANIES

Australia - Brazil - China - France - Germany - Italy - Japan - Korea - Malaysia - Malta - Mexico - Morocco - The Netherlands - Singapore - Spain - Sweden - Switzerland - Taiwan - Thailand - United Kingdom - U.S.A.

<http://www.st.com>