

SCHOTTKY BARRIER DUAL DIODE

DESCRIPTION:

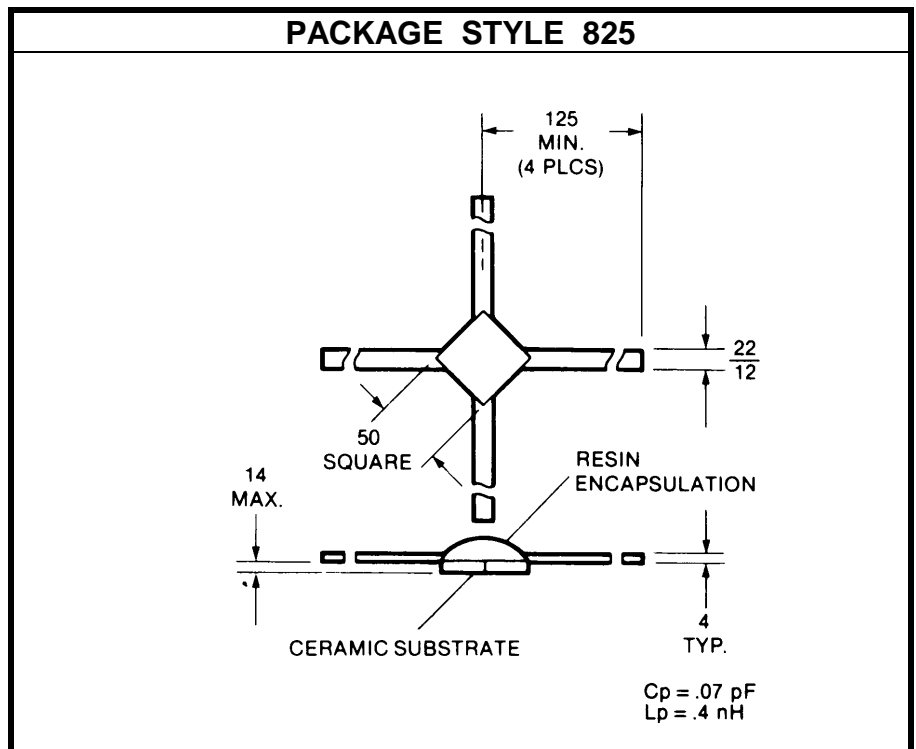
The **5082-2279** is a Low Barrier Schottky Barrier Dual Diode Designed for Single Balanced Mixer, Phase Detector and Modulator Applications up to 12 GHz.

FEATURES INCLUDE:

- Low Barrier
- Excellent Matching
- Small size

MAXIMUM RATINGS

I_F	100 mA
P_{DISS}	75 mW @ $T_C = 25^\circ\text{C}$ per Junction
T_J	-65°C to $+175^\circ\text{C}$
T_{STG}	-65°C to $+175^\circ\text{C}$
T_{SOLDER}	$+235^\circ\text{C}$ for 10 seconds


CHARACTERISTICS $T_C = 25^\circ\text{C}$

SYMBOL	TEST CONDITIONS			MINIMUM	TYPICAL	MAXIMUM	UNITS
V_F	$I_F = 1\text{ mA}$			260	300	340	mV
$V_{F\Delta}$	$I_F = 1\text{ mA}$					20	mV
V_{BR}	$I_R = 10\ \mu\text{A}$			2			V
C_T	$V_R = 0\text{ V}$	Diagonal	$f = 1.0\text{ MHz}$			0.25	pF
C_T	$V_R = 0\text{ V}$	Adjacent	$f = 1.0\text{ MHz}$			0.34	pF
$C_{T\Delta}$	$V_R = 0\text{ V}$					0.05	pF
R_D	$I_F = 5.0\text{ mA}$					16	Ω