



# CAT37

## CMOS White LED Driver Boost Converter

### FEATURES

- Low quiescent ground current (0.5mA typical)
- Power efficiency over 80%
- Compatible pinout with LT1937
- Adjustable output current (up to 40mA)
- High frequency 1.2MHz operation
- Input voltage operation down to 2.5V
- Low resistance (0.5Ω) power switch
- Drives up to 4 White LEDs in series
- Shutdown current less than 1μA
- Load fault protection against open-circuits
- Low value external components
- Low profile 5-lead SOT23 (1mm max) and TDFN (0.8mm) package

### APPLICATIONS

- Color LCD and keypad backlighting
- Cellular phones
- Handheld terminals
- Digital cameras
- PDAs/Games
- Portable MP3 players

### DESCRIPTION

The CAT37 is a DC/DC step up converter that delivers a regulated output current. Operation at a constant switching frequency of 1.2MHz allows the device to be used with very small value external inductor and ceramic capacitors.

The CAT37 is targeted to drive multiple white light-emitting diodes (LEDs) connected in series and provides the necessary regulated current to control the brightness and the color purity. An external resistor R1 controls the output current level. LED currents of up to 40mA can be supported over a wide range of input supply voltages from 2.5V to 7V, making the device ideal for battery-powered applications.

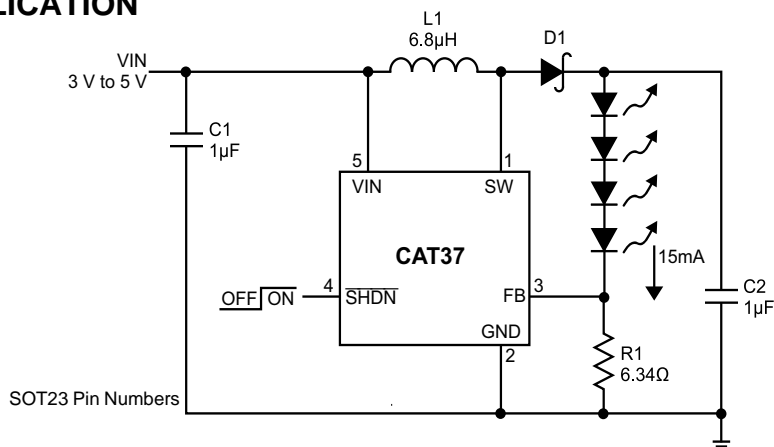
A high voltage output stage allows up to 4 White LEDs to be driven in series. Series drive provides inherent current matching.

LED dimming can be done by using a DC voltage, a logic signal, or a pulse width modulation (PWM) signal. The shutdown input pin allows the device to be placed in power-down mode with “near zero” quiescent current.

In addition to overcurrent limiting protection, the device also includes detection circuitry to ensure protection against open-circuit load fault conditions.

The device is available in a low profile (1mm max height) 5-lead thin SOT23 package and in a TDFN (0.8mm max height) package.

### TYPICAL APPLICATION



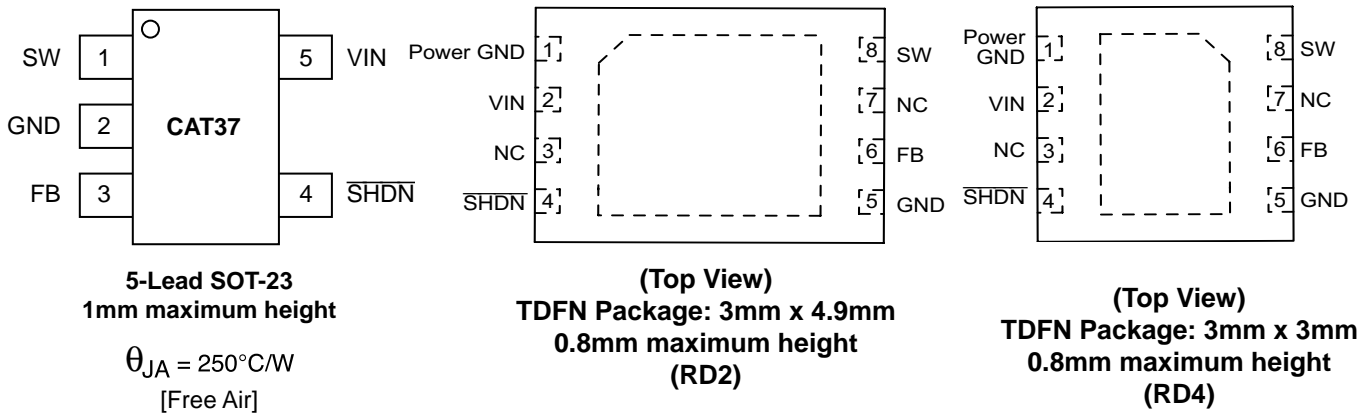
- C1: Taiyo Yuden JMK212BJ475
- C2: Taiyo Yuden EMK212BJ105
- D1: Zetex ZHCS400
- L1: Panasonic ELJEA6R8 or equivalent

Figure 1. Driver for Four High-Brightness White LEDs

**ORDERING INFORMATION**

Part Number	Package	Tube Quantity	Reel Quantity	Package Marking Code	Temperature Range
CAT37EKK	5-lead, SOT23 (1mm height)	—	—	BF	-40° C to 85° C
CAT37EKK-TE7	5-lead, SOT23 (1mm height) Tape & Reel	—	3000	BF	-40° C to 85° C
CAT37RD2-TE13	8-pad TDFN (3x4.9mm, MSOP Footprint) Tape & Reel	120	TBD	CCEV	-40° C to 85° C
CAT37RD4-TE13	8-pad TDFN (3x3mm) Tape & Reel	120	TBD	CCEW	-40° C to 85° C

**PIN CONFIGURATION**



**PIN DESCRIPTIONS**

Pin Number SOT23	Pin Number TDFN	Name	Function
1	8	SW	Switch pin. This is the drain of the internal power switch. For minimum EMI, minimize the trace area connected to this pin.
2	5	GND	Ground pin. Connect pin 2 to ground.
3	6	FB	LED (cathode) connection pin.
4	4	SHDN	Shutdown pin.
5	2	VIN	Input supply pin. This pin should be bypassed with a capacitor to ground. A 1 $\mu$ F capacitor mounted close to the pin is recommended.
—	1	Power Ground	Power Ground

## ABSOLUTE MAXIMUM RATINGS

$V_{IN}$ , FB, $\overline{SHDN}$ Voltage .....	8 V	Storage Temperature .....	-65°C to 160°C
SW Voltage .....	20 V	ESD Rating - Human Body Model .....	2000V
Junction Temperature .....	125°C	Lead Soldering Temperature .....	300°C

## RECOMMENDED OPERATING CONDITIONS

Parameter	Range	Unit
$V_{IN}$	2.5 to 7	V
Ambient Temperature Range	-40 to +85	° C
Inductor L1	6.8 ±20% typical	µH
Input Capacitor C1	1.0 ±20% typical	µF
Output Capacitor C2	1.0 ±20% typical	µF
$I_{LED}$ with 1 to 4 LEDs in series	0 to 20	mA

## ELECTRICAL SPECIFICATIONS

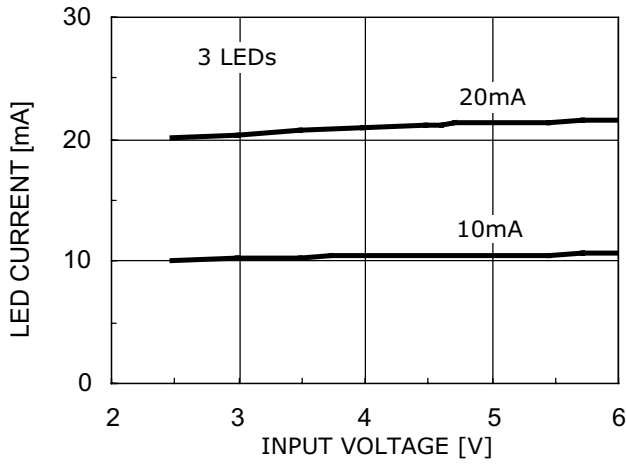
Over recommended operating conditions unless otherwise specified.  $T_A = 25^\circ\text{C}$ ,  $V_{IN} = 3\text{V}$  and  $V_{\overline{SHDN}} = 3\text{V}$ .

Symbol	Parameter	Conditions	Min	Typ	Max	Units
	Input Voltage Range		2.5		7	V
$I_Q$	Quiescent Current	$V_{FB} = 0.2\text{ V}$		0.5	0.7	mA
$I_{SD}$	Shutdown Current	$V_{\overline{SHDN}} = 0\text{ V}$		0.05	1	µA
$V_{FB}$	FB Pin Voltage	4 LEDs at 15 mA	85	95	105	mV
$I_{FB}$	FB Pin Leakage Current			1	2	µA
	Shutdown High Threshold		0.85			V
	Shutdown Low Threshold				0.25	V
$I_{SHDN}$	Shutdown Pin Current				1	nA
$f_{SW}$	Boost Converter Frequency		0.8	1.2	1.6	MHz
DC	Maximum Switch Duty Cycle		90	95		%
$I_{SWL}$	Switch Current Limit		400	550	780	mA
	Switch Saturation Voltage	$I_{SW} = 300\text{ mA}$		150	200	mV
	Switch Leakage Current	Switch Off, $V_{SW} = 5\text{ V}$		0.01	5	µA
	Efficiency	Figure 1 with specified components		83		%

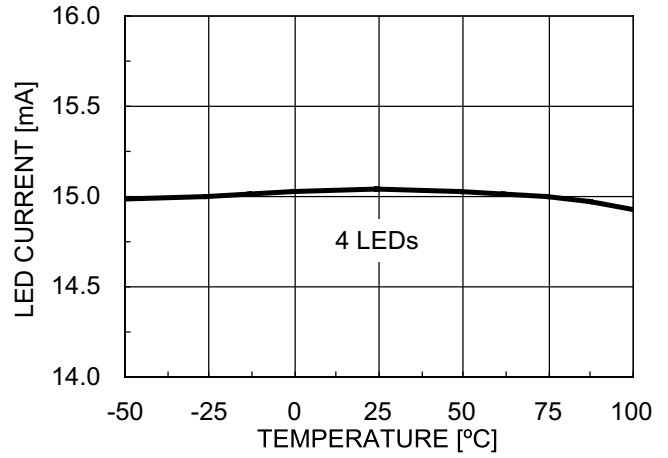
**TYPICAL CHARACTERISTICS**

$V_{IN} = 3.6\text{ V}$ ,  $T_{AMB} = 25^{\circ}\text{C}$ ,  $C_{IN} = 4.7\ \mu\text{F}$ ,  $C_{OUT} = 1\ \mu\text{F}$ ,  $L = 6.8\ \mu\text{H}$ , unless otherwise specified.

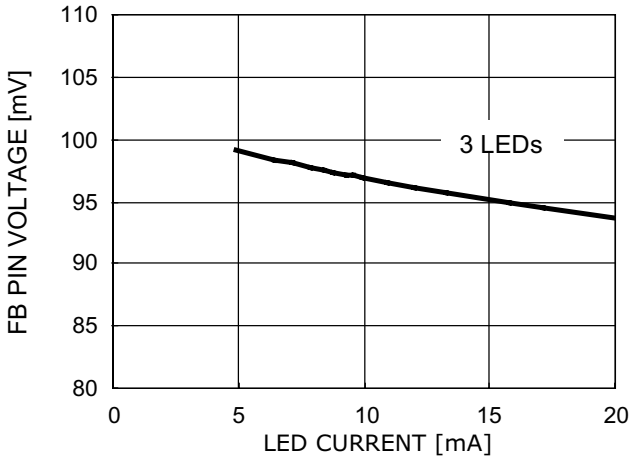
**LED Current vs. Input Voltage**



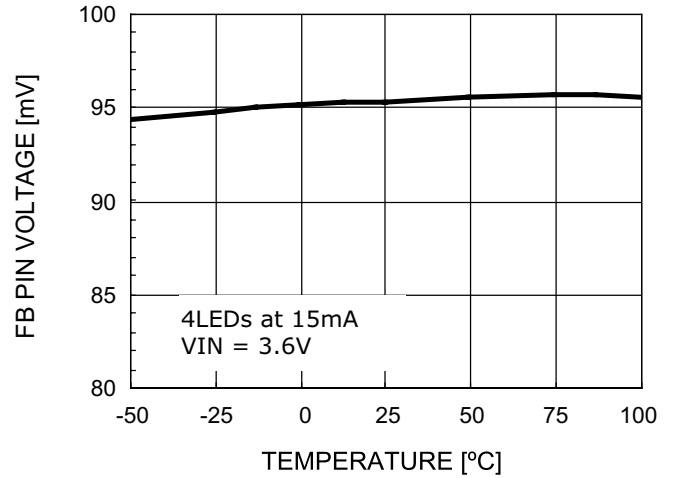
**LED Current vs. Temperature**



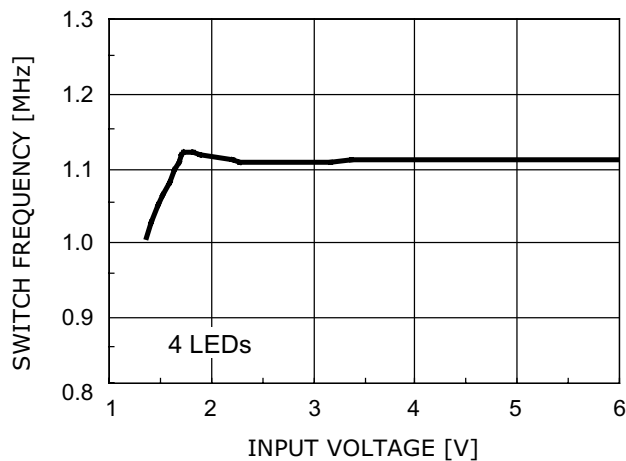
**FB Pin Voltage vs. LED Current**



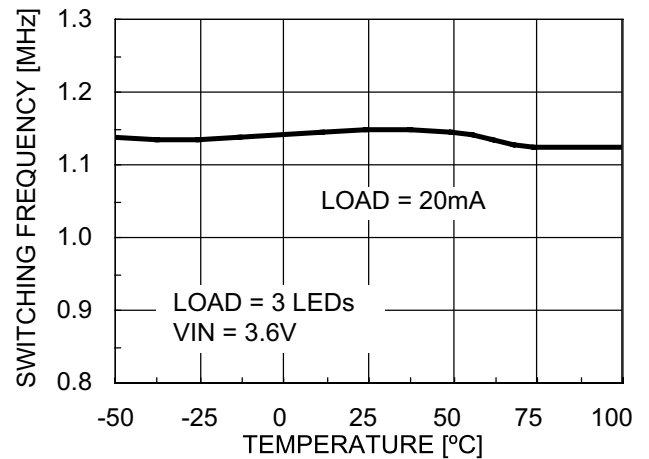
**FB Pin Voltage vs. Temperature**



**Switching Frequency vs. Input Voltage**



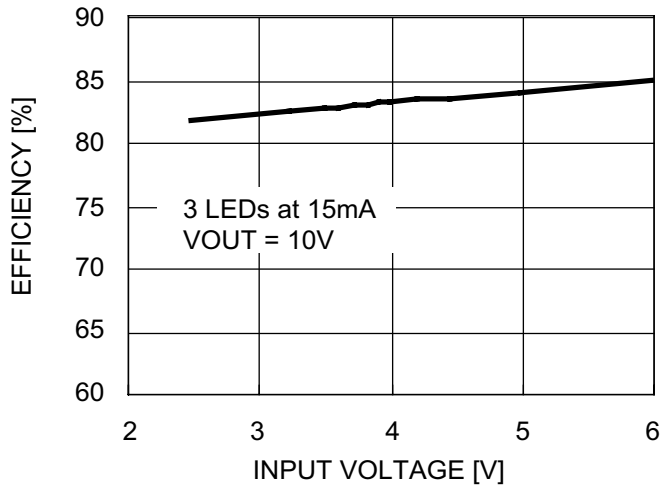
**Switching Frequency vs. Temperature**



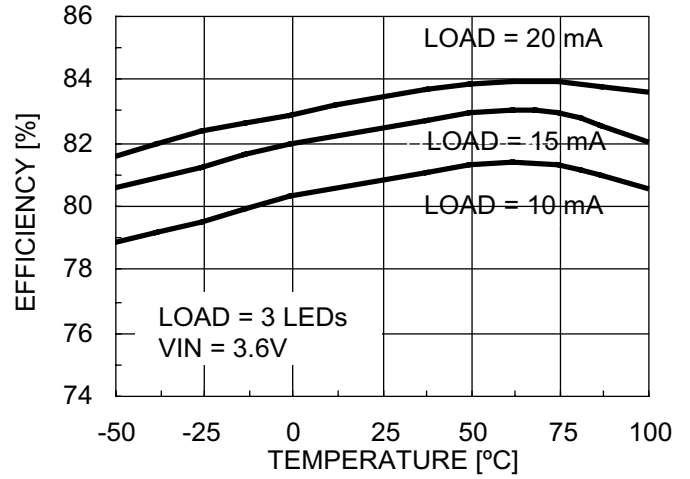
## TYPICAL CHARACTERISTICS

$V_{IN} = 3.6\text{ V}$ ,  $T_{AMB} = 25^{\circ}\text{C}$ ,  $C_{IN} = 4.7\ \mu\text{F}$ ,  $C_{OUT} = 1\ \mu\text{F}$ ,  $L = 6.8\ \mu\text{H}$ , unless otherwise specified.

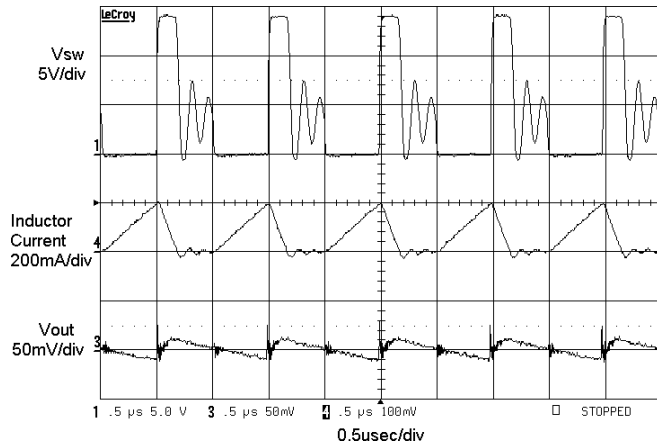
Efficiency vs. Input Voltage



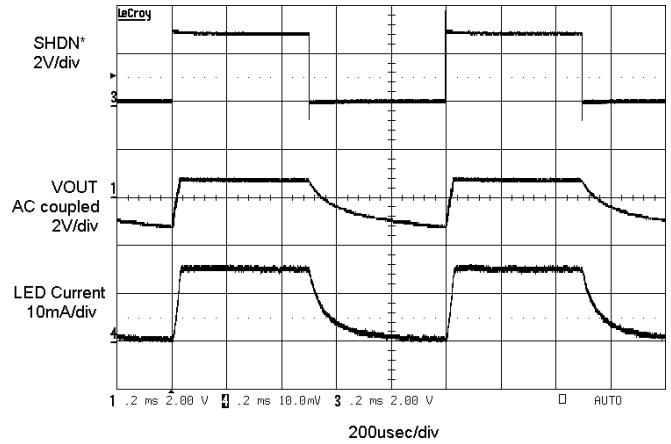
Efficiency vs. Temperature



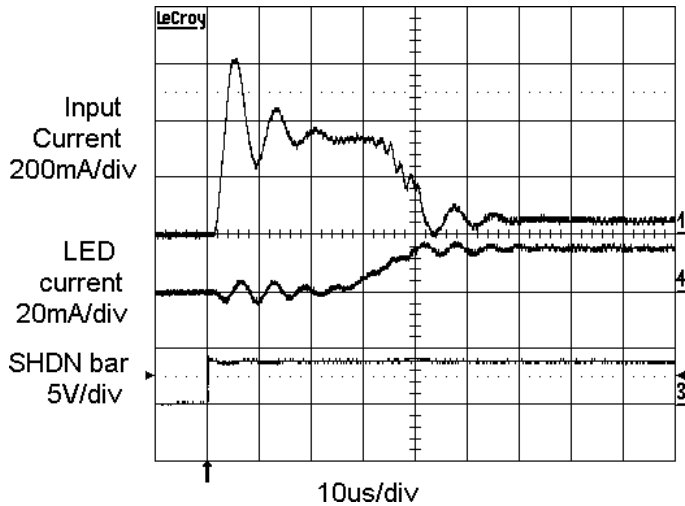
$V_{sw}$ ,  $I_L$ , &  $V_{OUT}$  Waveforms



PWM on SHDN pin at 1kHz



Enable Power-Up Waveforms



**OPERATION**

The CAT37 device is a high efficiency, constant frequency, current regulating boost driver for white LEDs.

The device includes a switch and an internally compensated loop for the regulation of the current in the LEDs.

Operation can be best understood by examining the block diagram. The FB pin is regulated at 95 mV and the current through the external resistor will set the regulated current in the LEDs at:

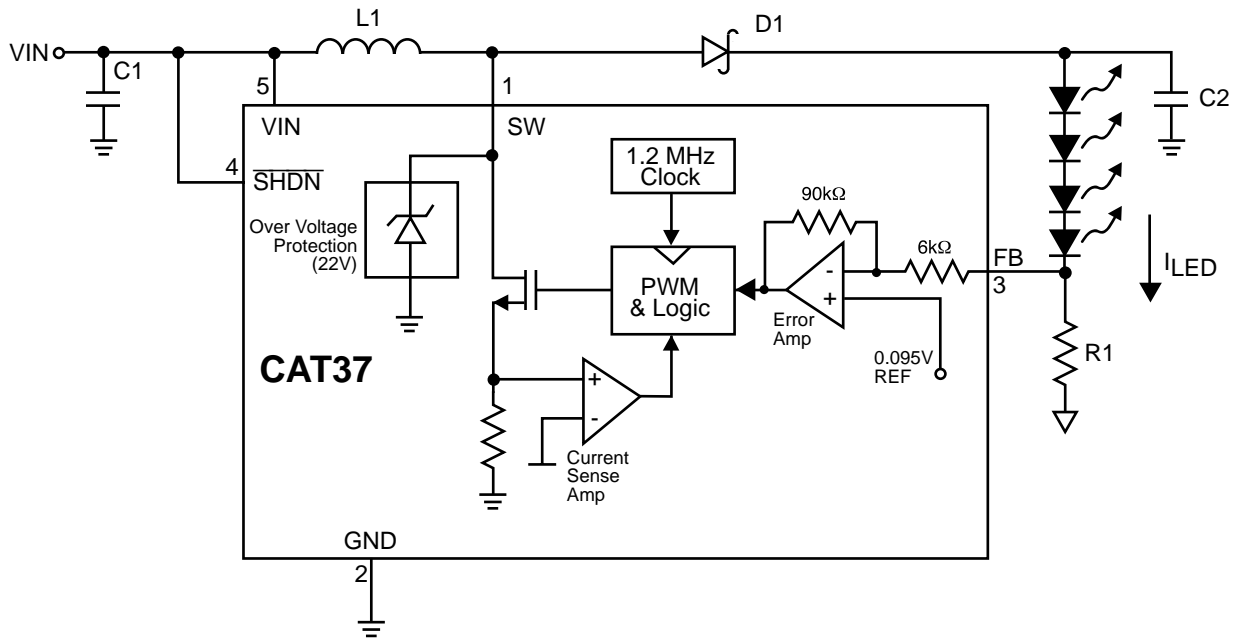
$$I_{LED} = 0.095/R1$$

While maintaining LED current regulation, the CAT37 boost converter automatically adjusts the FB pin voltage to be as low as possible. A low FB pin voltage ensures high efficiency.

Current through the internal power switch is continuously monitored cycle-by-cycle. If the current limit is exceeded, the switch is immediately turned off, protecting the device, for the remainder of the cycle.

PWM dimming operation can be achieved by switching the  $\overline{SHDN}$  pin or by pulling the FB pin higher than 95mV.

**BLOCK DIAGRAM**



Note: SOT23 Pin Numbers

Figure 2. CAT37 Block Diagram

## APPLICATION INFORMATION

### CAPACITOR SELECTION

Low ESR (equivalent series resistance) capacitors should be used at the output to minimize the output ripple voltage. The low ESR and small package options available with multilayer ceramic capacitors make them excellent choices. The X5R and X7R capacitor types are preferred because they retain their capacitance over wider voltage and temperature ranges than the Y5V or Z5U types. A 1.0 $\mu$ F output capacitor is recommended for most applications.

The voltage rating of the output capacitor C2 depends on the number of LEDs driven in the series. A 16 V ceramic capacitor is recommended when driving 3 or 4 LEDs.

Low profile ceramic capacitors with a 1mm maximum height/thickness are available for designs height requirements. Ceramic capacitors also make a good choice for the input capacitor, which should be mounted as close as possible to the CAT37. A 1  $\mu$ F or 4.7  $\mu$ F input capacitor is recommended. Table 1 shows a list of several ceramic capacitor manufacturers. Consult the manufacturers for detailed information as new products and package options are introduced regularly.

Table 1. Ceramic Capacitor Manufacturers

Supplier	Web
Taiyo Yuden	www.t-yuden.com
Murata	www.murata.com
Kemet	www.kemet.com
AVX	www.avxcorp.com

### DIODE SELECTION

Schottky diodes, with their low forward voltage drop and fast switching speed, are the ideal choice for high efficiency applications. Table 2 shows several different Schottky diodes that work well with the CAT37. Make sure that the diode has a voltage rating greater than the output voltage. The diode conducts current only when the power switch is turned off (typically less than one-third the time), so a 0.4A or 0.5A diode will be sufficient for most designs.

Table 2. Schottky Diode Suppliers

Part	Supplier
MBR0520	ON Semiconductor
MBR0530	www.onsemi.com
MBR0540	800.282.9855
ZHCS400	Zetex

### LED CURRENT PROGRAMMING

The LED current is programmed with a single resistor connected to the FB pin. The FB pin is internally regulated to 95 mV, which sets the current flowing through R1 and the LEDs as equal to 0.095/R1.

For the best accuracy, a 1% or better resistor is recommended. Table 3 shows several typical 1% R1 values.

Table 3. R1 Resistor Values

I <sub>LED</sub> (mA)	R1 ( $\Omega$ )
40	2.37
30	3.16
20	4.75
15	6.34
12	7.87
10	9.53
5	19.1

For other LED current values, use the following equation to choose R1.

$$R1 = \frac{0.095}{I_{LED}}$$

Most white LEDs are driven at maximum currents of 15mA to 20mA. Some higher power designs will use two parallel strings of LEDs for greater light output, resulting in 30mA to 40mA (two strings of 15mA to 20mA) flowing through the R1 resistor.

**LED DIMMING WITH DC SIGNAL**

Dimming the LEDs can be done by applying a variable DC voltage as shown on Figure 3. As the  $V_{DC}$  increase the voltage across  $R_1$  decreases and therefore lower the LED current. The resistors  $R_2$  and  $R_3$  must be large enough so that their current (tens of  $\mu A$ ) is much smaller than the LED current but much larger than the FB leakage current ( $I_{FB}$ ). When adjusting  $V_{DC}$  between 0V and 2V, the resistors shown on Figure 3 will set the LED current between 0mA and 15mA.

**LED DIMMING WITH PWM SIGNAL**

PWM brightness control provides the widest dimming range (greater than 20:1). By turning the LEDs ON and OFF using the control signal, the LEDs operate at either zero or full current, but their average current changes with the PWM signal duty cycle. Typically, a 5kHz to 40kHz PWM signal is used.

A filtered PWM signal is used to dim the LEDs, as shown in Figure 4.

In addition to providing the widest dimming range, PWM brightness control also ensures the “purest” white LED color over the entire dimming range. The true color of a white LED changes with operating current, and is the “purest” white at a specific forward current, usually 15mA or 20mA. If the LED current is less than or more than this value, the emitted light becomes more blue. Applications involving color LCDs can find the blue tint objectionable.

**LED DIMMING WITH A LOGIC SIGNAL**

For applications that need to adjust the LED brightness in discrete steps, a logic signal can be used as shown in Figure 5.  $R_1$  sets the minimum LED current value (when the NMOS switch is OFF):

$$R_1 = \frac{0.095V}{I_{LED(MIN)}}$$

$R_{INCR}$  determines how much LED current increases when the external NMOS switch is turned ON.

$$R_{INCR} = \frac{0.095V}{I_{LED(INCREASE)}}$$

**PCB LAYOUT GUIDELINES**

The CAT37 is a high-frequency switching regulator where proper PCB board layout and component placement can minimize noise and radiation and increase efficiency. To maximize efficiency, the CAT37 design has fast switch rise and fall times. To prevent radiation and high frequency resonance problems minimize the length and area of all traces connected to the SW pin and use a ground plane under the switching regulator.

The SW pin, schottky diode and capacitor C2 signal path should be kept as short as possible. The ground connection for the  $R_1$  resistor should be tied directly to the GND pin and not be shared with other components.

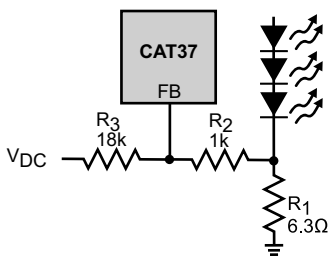


Figure 3. Dimming with a DC Voltage

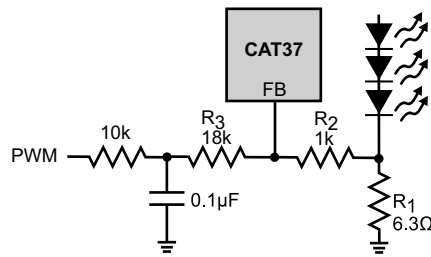


Figure 4. Dimming with a Filtered PWM Signal

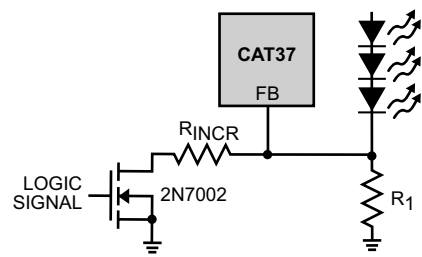


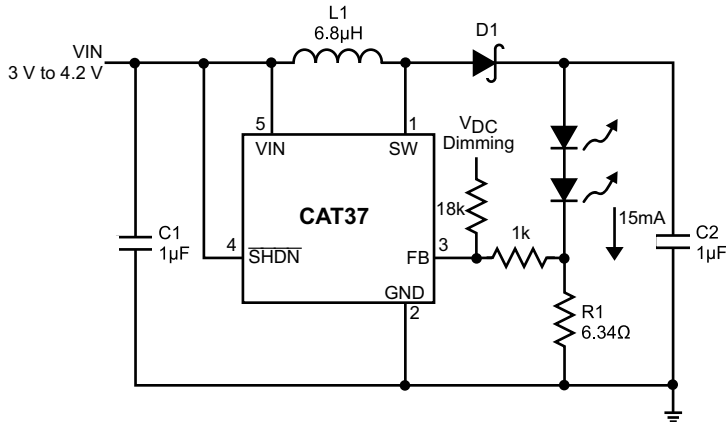
Figure 5. Dimming with a Logic Signal



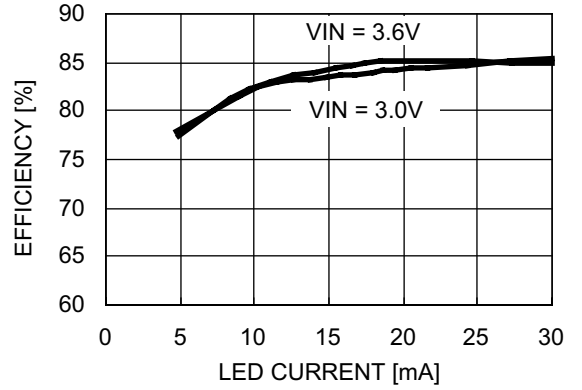
## TYPICAL APPLICATION CIRCUITS

The application diagrams are shown for the SOT23 pin numbers.

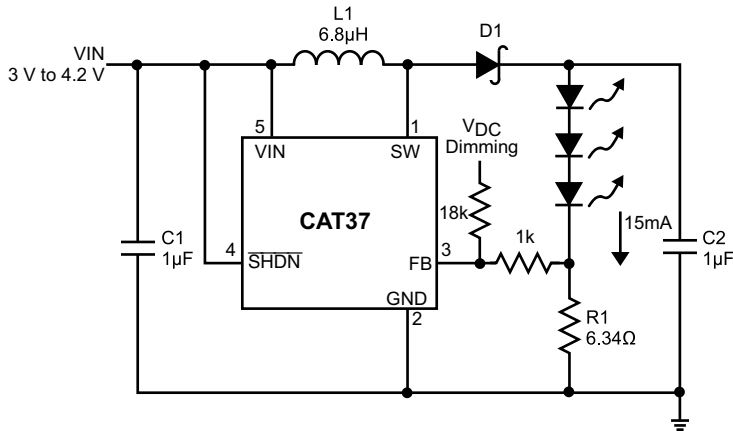
### Two LEDs with DC Level Dimming Control



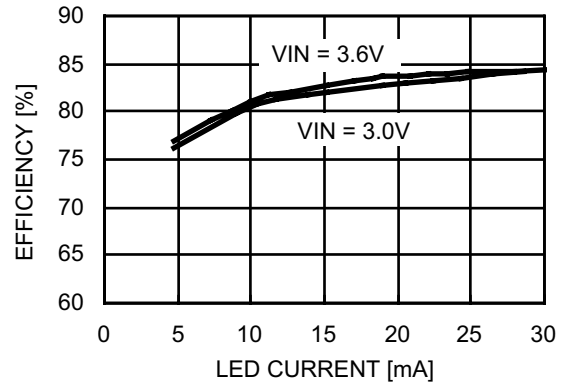
### Efficiency - Two LEDs



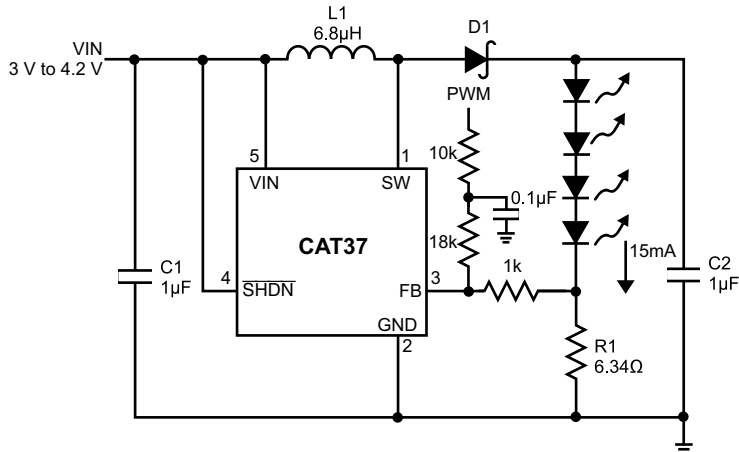
### Three LEDs with DC Level Dimming Control



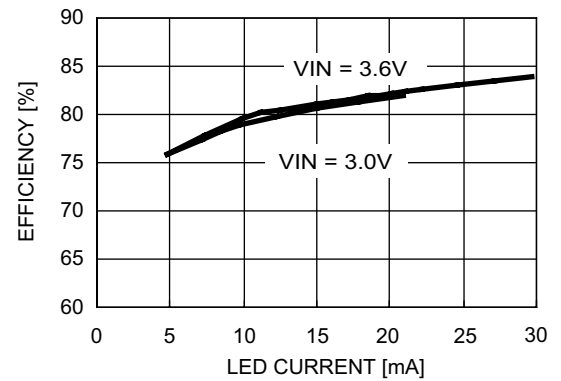
### Efficiency - Three LEDs



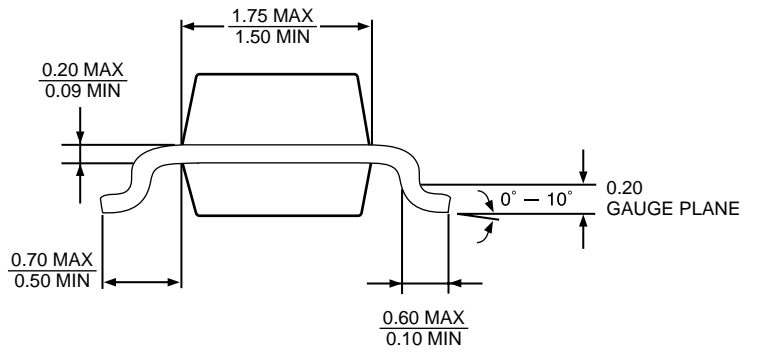
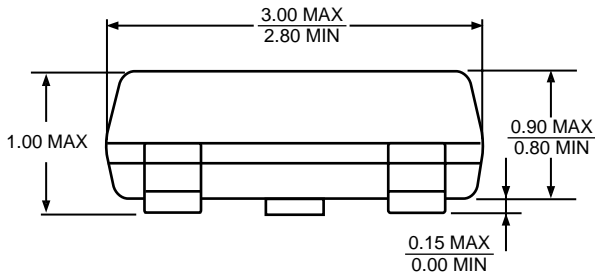
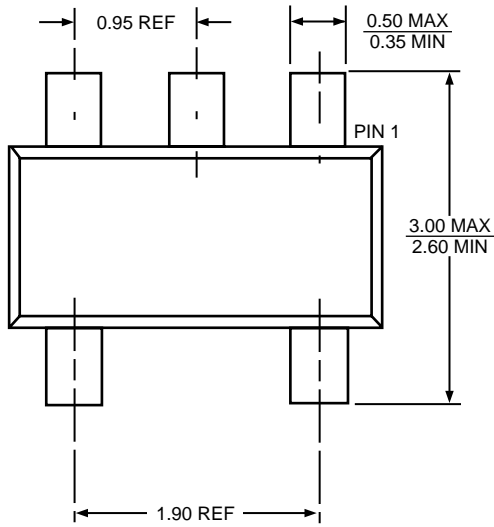
### Four LEDs with PWM Dimming Control



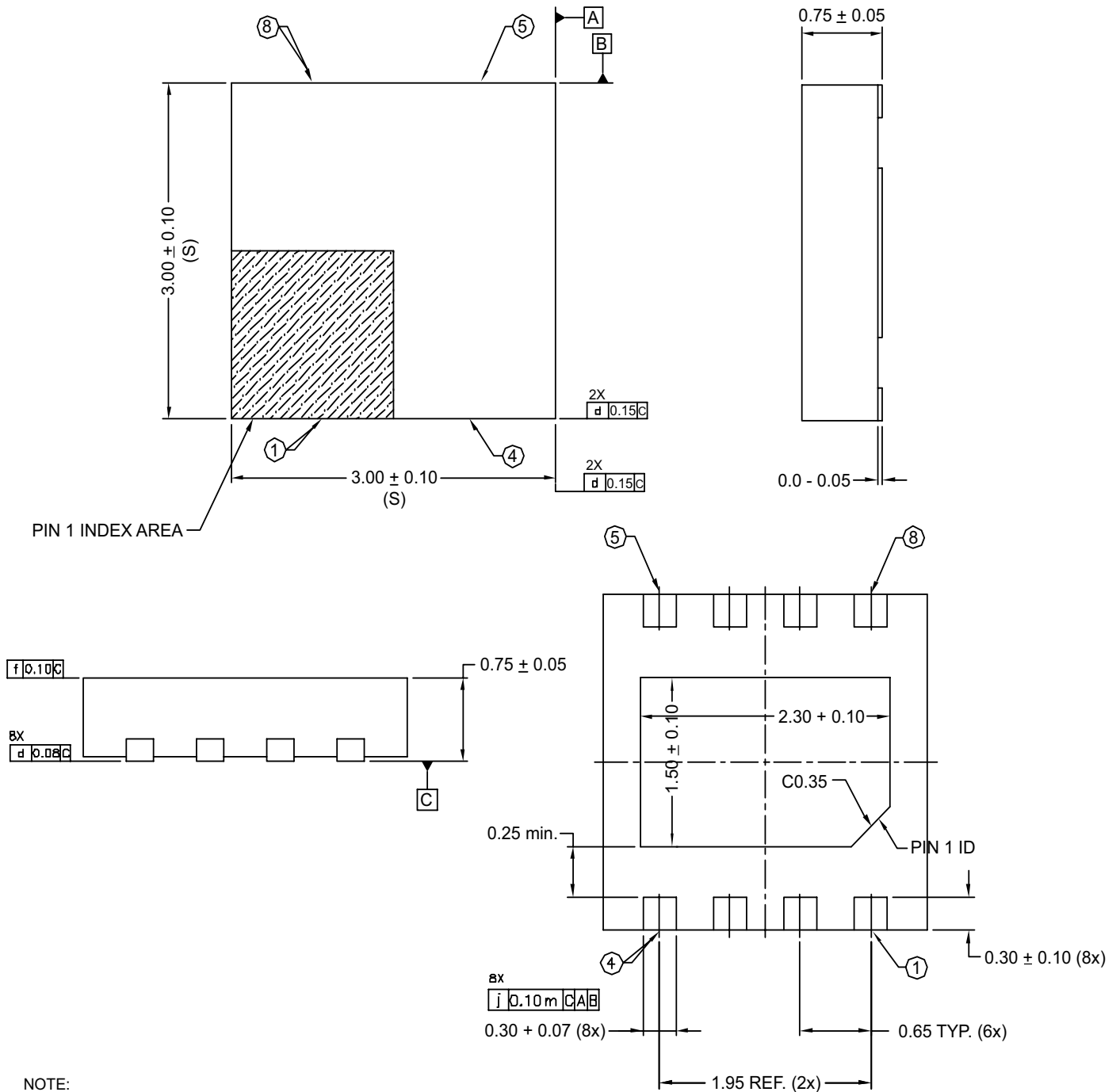
### Efficiency - Four LEDs



**PACKAGE OUTLINES**  
**5-LEAD SOT-23**  
**ALL DIMENSIONS IN MILLIMETERS**



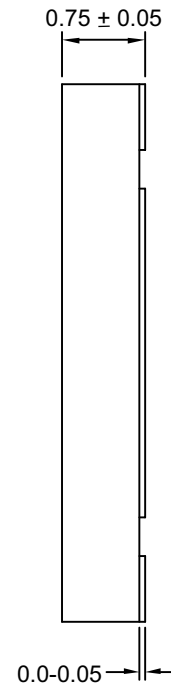
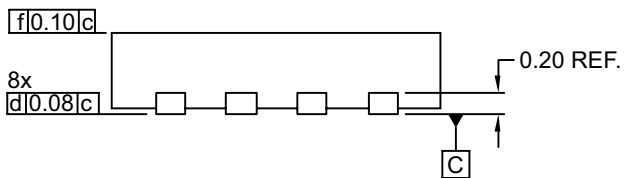
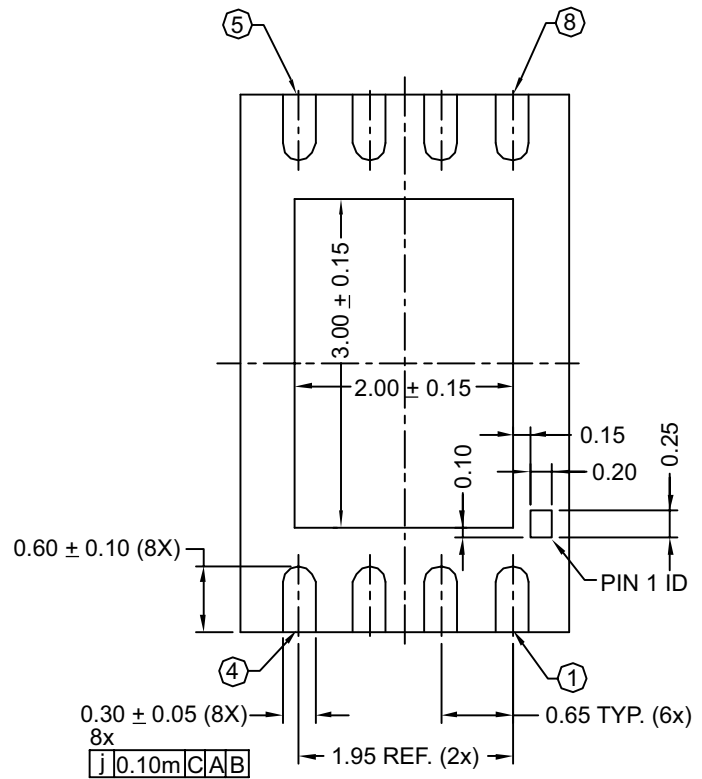
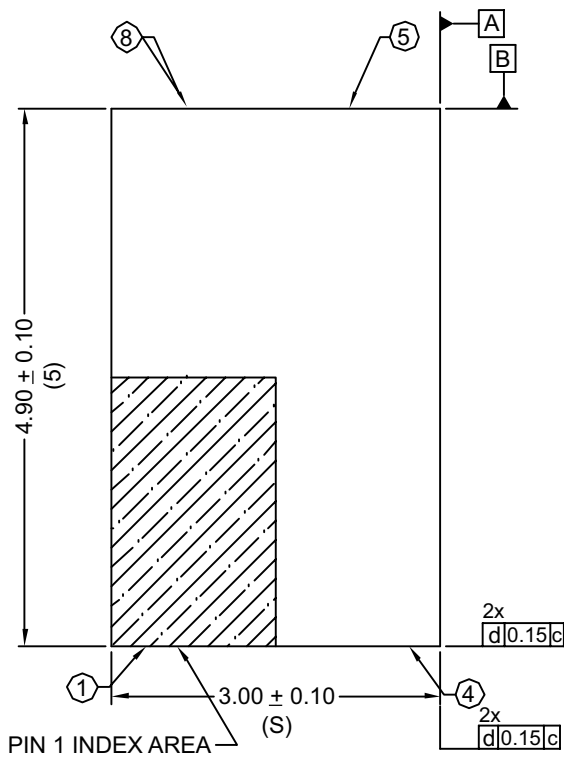
TDFN 3X3 MM PACKAGE (RD4)



NOTE:

1. ALL DIMENSION ARE IN mm. ANGLES IN DEGREES.
2. COPLANARITY SHALL NOT EXCEED 0.08 mm.
3. WARPAGE SHALL NOT EXCEED 0.10 mm.
4. PACKAGE LENGTH / PACKAGE WIDTH ARE CONSIDERED AS SPECIAL CHARACTERISTIC(S)
5. REFER JEDEC MO-229 / WEEC

TDFN 3X4.9 MM PACKAGE (RD2)



NOTE:

1. ALL DIMENSION ARE IN mm. ANGLES IN DEGREES.
2. COPLANARITY APPLIES TO THE EXPOSED PAD AS WELL AS THE TERMINALS. COPLANARITY SHALL NOT EXCEED 0.08mm.
3. WARPAGE SHALL NOT EXCEED 0.10mm.
4. PACKAGE LENGTH / PACKAGE WIDTH ARE CONSIDERED AS SPECIAL CHARACTERISTIC(S).
5. REFER TO JEDEC MO-229, FOOTPRINTS ARE COMPATIBLE TO 8 MSOP.

---

**Copyrights, Trademarks and Patents**

Trademarks and registered trademarks of Catalyst Semiconductor include each of the following:

DPP™ AE<sup>2</sup>™

Catalyst Semiconductor has been issued U.S. and foreign patents and has patent applications pending that protect its products. For a complete list of patents issued to Catalyst Semiconductor contact the Company's corporate office at 408.542.1000.

*CATALYST SEMICONDUCTOR MAKES NO WARRANTY, REPRESENTATION OR GUARANTEE, EXPRESS OR IMPLIED, REGARDING THE SUITABILITY OF ITS PRODUCTS FOR ANY PARTICULAR PURPOSE, NOR THAT THE USE OF ITS PRODUCTS WILL NOT INFRINGE ITS INTELLECTUAL PROPERTY RIGHTS OR THE RIGHTS OF THIRD PARTIES WITH RESPECT TO ANY PARTICULAR USE OR APPLICATION AND SPECIFICALLY DISCLAIMS ANY AND ALL LIABILITY ARISING OUT OF ANY SUCH USE OR APPLICATION, INCLUDING BUT NOT LIMITED TO, CONSEQUENTIAL OR INCIDENTAL DAMAGES.*

Catalyst Semiconductor products are not designed, intended, or authorized for use as components in systems intended for surgical implant into the body, or other applications intended to support or sustain life, or for any other application in which the failure of the Catalyst Semiconductor product could create a situation where personal injury or death may occur.

Catalyst Semiconductor reserves the right to make changes to or discontinue any product or service described herein without notice. Products with data sheets labeled "Advance Information" or "Preliminary" and other products described herein may not be in production or offered for sale.

Catalyst Semiconductor advises customers to obtain the current version of the relevant product information before placing orders. Circuit diagrams illustrate typical semiconductor applications and may not be complete.

---



**CATALYST**

Catalyst Semiconductor, Inc.  
Corporate Headquarters  
1250 Borregas Avenue  
Sunnyvale, CA 94089  
Phone: 408.542.1000  
Fax: 408.542.1200  
[www.catalyst-semiconductor.com](http://www.catalyst-semiconductor.com)

Publication #: 5005  
Revision: P  
Issue date: 6/15/04