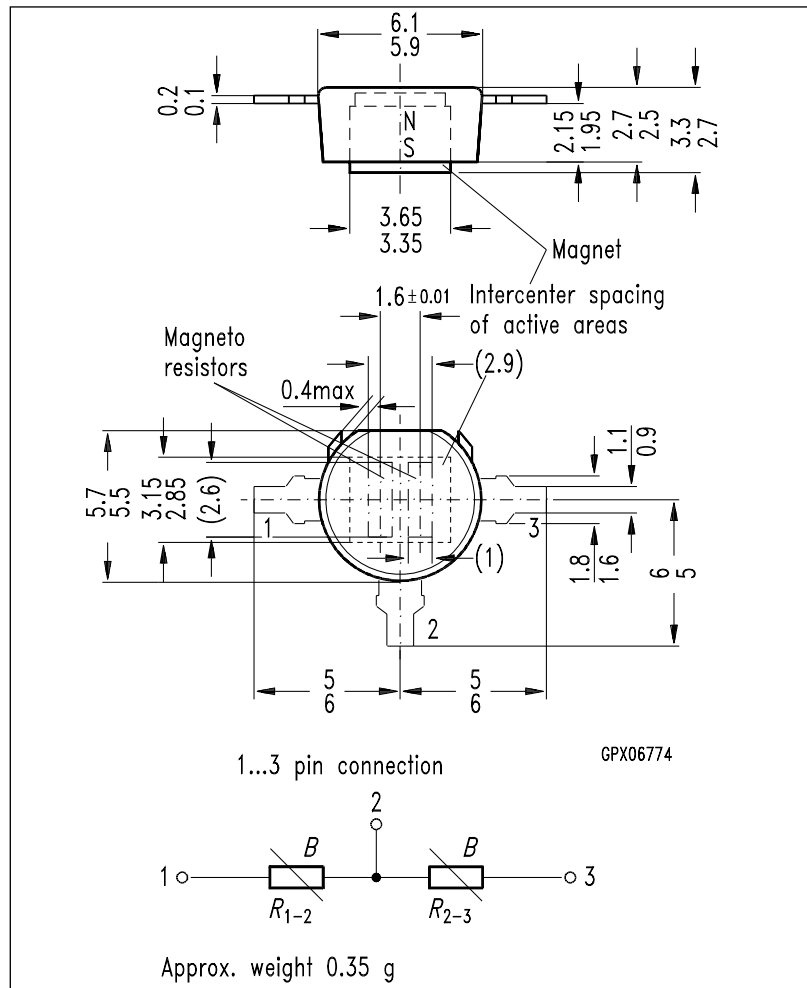


Features

- High output voltage
- High operating temperature
- Robust plastic housing
- Biasing magnet build in
- Signal amplitude is speed independent
- Marking silver

Typical applications

- Detection of speed
- Detection of position
- Detection of sense of rotation
- Angle encoder
- Linear position sensing



Dimensions in mm

Type	Ordering Code
FP 212 L 100-22	Q65212-L1004

The differential magneto-resistive sensor FP 212 L 100-22 consists of two series coupled magneto resistors (L-type InSb/NiSb semiconductor resistors whose value can be magnetically controlled) which are mounted onto an insulated ferrite substrate. The sensor is encapsulated in a plastic package and has three connecting terminals.

The basic resistance of the total system is $2 \times 100 \Omega$. A permanent magnet which supplies a biasing magnetic field is fixed on the base of the sensor.

Maximum ratings

Parameter	Symbol	Value	Unit
Operating temperature	T_A	- 40 / + 140	°C
Storage temperature	T_{stg}	- 40 / + 150	°C
Power dissipation ¹⁾	P_{tot}	450	mW
Supply voltage ²⁾	V_{IN}	10	V
Insulation voltage between terminals and magnet	V_I	> 60	V
Thermal conductivity (when soldered)	G_{thA}	≥ 5	mW/K

Characteristics ($T_A = 25\text{ °C}$)

Nominal supply voltage	$V_{IN N}$	5	V
Total resistance, ($\delta = \infty, I \leq 1\text{ mA}$)	R_{1-3}	220...400	Ω
Center symmetry ³⁾ ($\delta = \infty$)	M	≤ 10	%
Offset voltage ⁴⁾ (at $V_{IN N}$ and $\delta = \infty$)	V_0	≤ 130	mV
Open circuit output voltage ⁵⁾ ($V_{IN N}$ and $\delta = 0.2\text{ mm}$)	$V_{out pp}$	> 1000	mV
Cut-off frequency	f_c	> 20	kHz

Measuring arrangements

By approaching a soft iron part close to the sensor a change in its resistance is obtained. The potential divider circuit of the magneto resistor causes a reduction in the temperature dependence of the output voltage V_{OUT} .

1) Corresponding to diagram $P_{tot} = f(T_A)$

2) Corresponding to diagram $V_{IN} = f(T_A)$

3)

$$M = \frac{R_{1-2} - R_{2-3}}{R_{1-2}} \times 100\% \text{ for } R_{1-2} > R_{2-3}$$

4) Corresponding to measuring circuit in **Fig. 2**

5) Corresponding to measuring circuit in **Fig. 2** and arrangement as shown in **Fig. 1**

1. Digital revolution counting

For digital revolution counting, the sensor should be actuated by a magnetically soft iron toothed wheel. The tooth spacing should correspond to about twice the magneto resistor intercenter spacing i.e $2 \times 1.6 \text{ mm}$ (see **Fig. 1**).

The two resistors of the sensor are supplemented by two additional resistors in order to obtain the sensor output voltage as a bridge voltage V_{OUT} . The output voltage V_{OUT} without excitation then is 0 V when the offset is compensated.

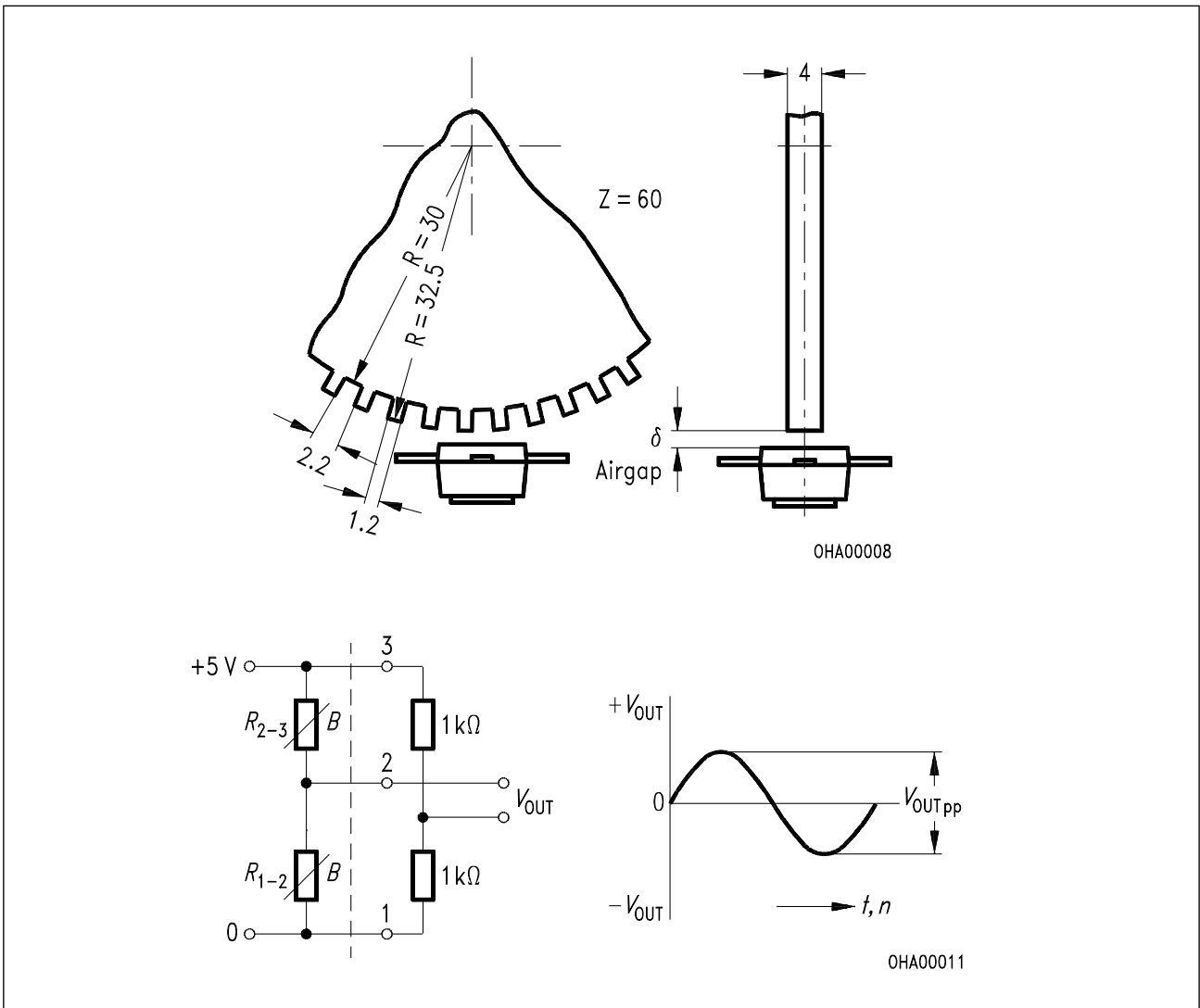


Fig. 1
Schematic representation of a toothed wheel actuating an FP 212 L 100-22

Fig. 2
Measuring circuit and output voltage V_{OUT} waveform

2. Linear distance measurement

To convert small distances into a proportional electric signal, a small soft iron part of definite width (e.g. $b = 1.8 \text{ mm}$) is moved over the face of the sensor.

Proportional signals for distances up to 1.5 mm can be obtained in this way. The sinusoidal output signal gives a voltage proportional to distance in the zero crossover region (see **Fig. 3**).

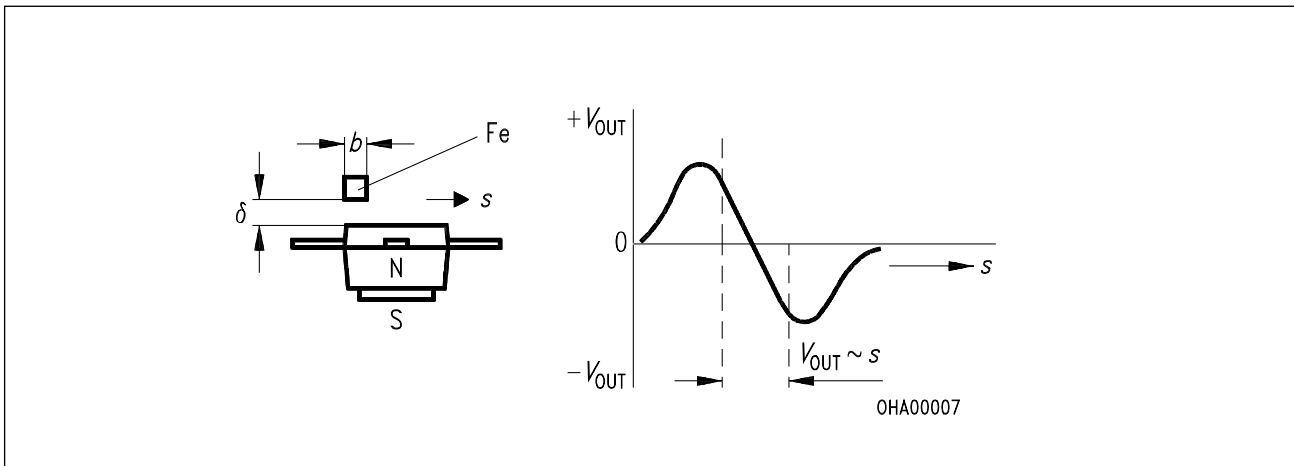
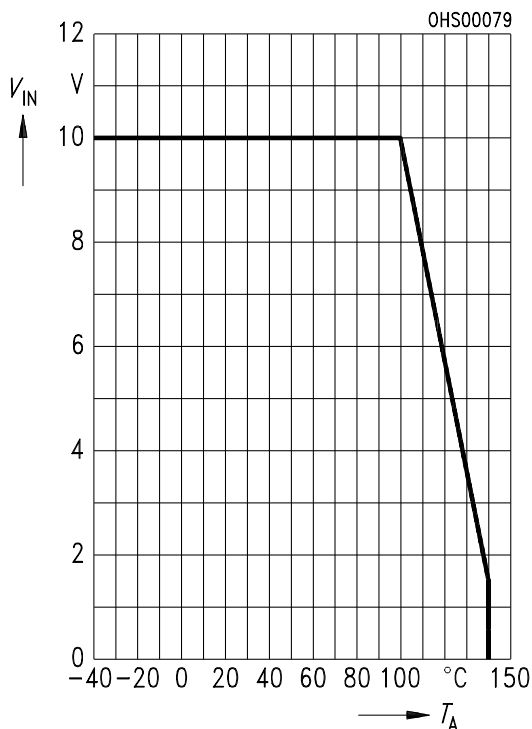


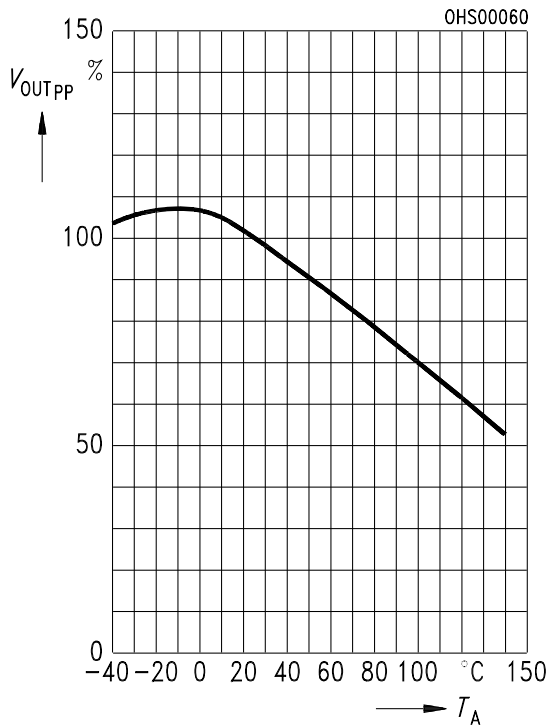
Fig. 3
Measuring arrangement for analogue application

Maximum supply voltage versus temperature

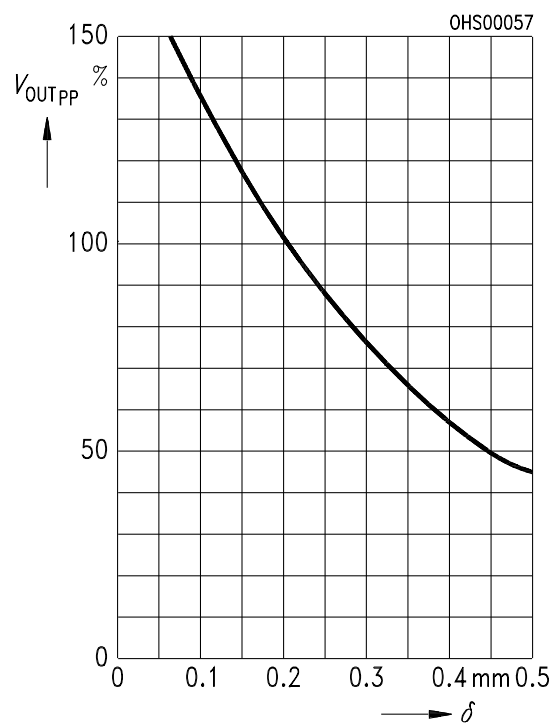
$V_{IN} = f(T_A)$



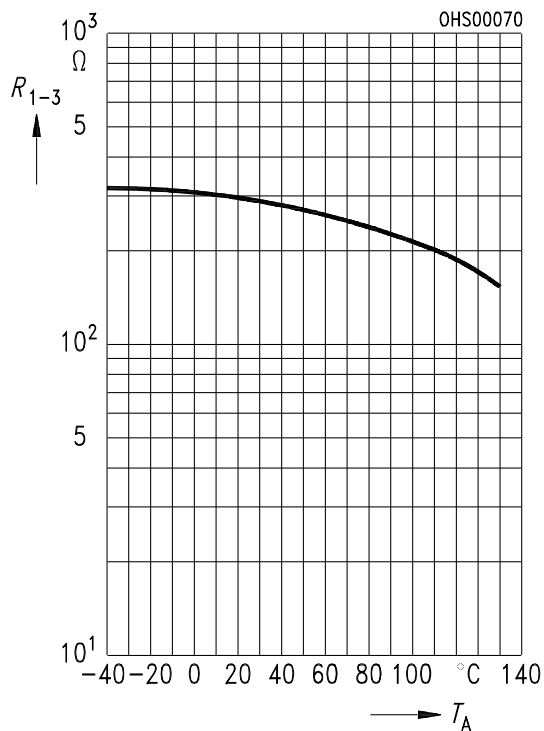
Output voltage (typical) versus temperature $V_{OUTpp} = f(T_A)$, $\delta = 0.2 \text{ mm}$
 V_{OUTpp} at $T_A = 25 \text{ }^\circ\text{C} \hat{=} 100\%$



Output voltage (typical) versus airgap $V_{OUTpp} = f(\delta)$, $T_A = 25 \text{ }^\circ\text{C}$
 V_{OUTpp} at $\delta = 0.2 \text{ mm} \hat{=} 100\%$



Total resistance (typical) versus temperature
 $R_{1-3} = f(T_A)$, $\delta = \infty$



Max. power dissipation versus temperature
 $P_{tot} = f(T_A)$, $\delta = \infty$

