

MF1069S-1

FOR DIGITAL MOBILE TELEPHONE, Lo

MF1069S-1

DESCRIPTION

This SAW filter for the local frequency RF circuit of digital mobile communication equipment operating at 1607 MHz ~ 1631 MHz.

FEATURES

1. SMD package insures small size, lightweight.
2. Adjustment free.
3. Low insertion loss and high stop band attenuation.
4. Wide and sharp passband characteristics.
5. High stability and reliability.
6. Designed for reflow solderings.

APPLICATION

- Digital mobile cellular telephone
- Portable digital cellular telephone
- Wireless equipment

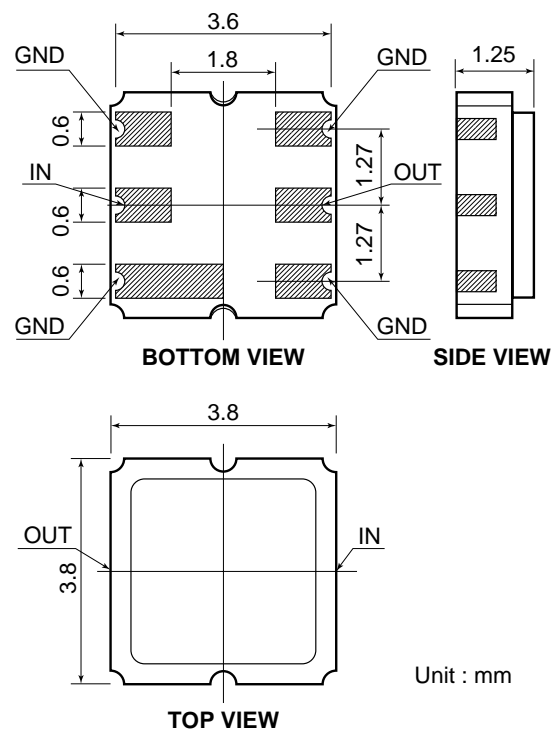
ELECTRICAL PERFORMANCE

Parameter	MF1069S-1			Units
	Min	Typ	Max	
PASSBAND FREQUENCY	1607 – 1631			MHz
PASSBAND CHARACTERISTICS				
Insertion Loss		2.5	3.5	dB
Ripple		0.5	1.5	dBp-p
VSWR		1.7	2.5	
STOPBAND ATTENUATION				
0 – 1200 MHz	40	45		dB
1200 – 1501 MHz	25	30		dB
1700 – 2100 MHz	30	35		dB
2100 – 3000 MHz	25	28		dB

MAXIMUM RATINGS

Rating	Value	Unit
Input Power	40	mW
Operating Temperature Range	-20 to 75	°C
Storage Temperature Range	-30 to 85	°C

PACKAGE OUTLINE DIMENSIONS



DIMENSIONS ARE IN MILLIMETERS
±0.2 UNLESS OTHERWISE SPECIFIED

MF1069S-1 TYPICAL CHARACTERISTICS

