

1.8V Operation 3rd. Over Tone Quartz Crystal Oscillator

■GENERAL DESCRIPTION

The NJU6379D is a C-MOS IC for 3rd. overtone quartz crystal oscillator that consists of an oscillation amplifier and 3-state output buffer, and can oscillate at 1.8V very low voltage.

The NJU6379D has ability to oscillate from 60 to 70 MHz.

The oscillation amplifier is realized very low stand-by current using NAND circuit.

The 3-stage output buffer is C-MOS compatible.

■PACKAGE OUTLINE

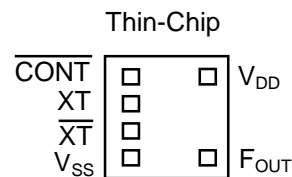


NJU6379DC-D

■FEATURES

- Operating Voltage 1.8 to 2.8V
- Maximum Oscillation Frequency 70MHz
- Low Operating Current
- High Fan-out $I_{OH}/I_{OL} = 4mA @ 2.5V$
- Oscillation Stop and Output Stand-by Function
- 3-State Output Buffer
- Oscillation Capacitors C_g and C_d on-chip
- Package Outline Thin-Chip
- C-MOS Technology

■PAD LOCATION



■LINE-UP TABLE

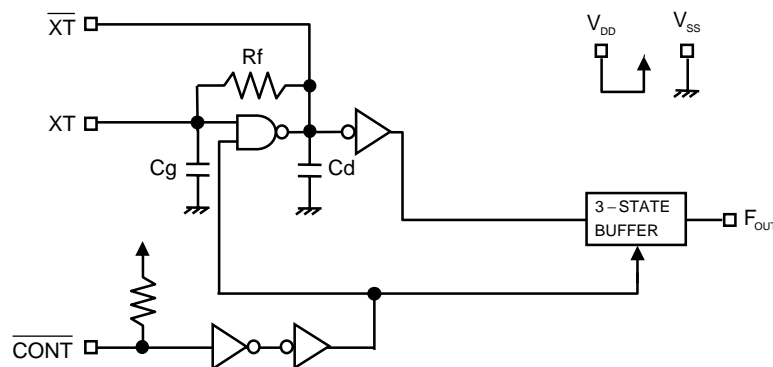
Type No.	Recommended Oscillation Frequency Range	Output Frequency	Cg/Cd
NJU6379D	60 to 70 MHz	f_0	8.5/9pF

■COORDINATES

No	Pad Name	X	Y
1	\overline{CONT}	-178	231
2	XT	-178	77
3	\overline{XT}	-178	-77
4	V_{SS}	-178	-231
5	F_{OUT}	206	-231
8	V_{DD}	206	231

Starting Point: Chip Center Unit[um]
 Chip Size: 0.7x0.75mm
 Thin-Chip Thickness: 200±20um
 Pad Size: 90x90um

■BLOCK DIAGRAM



■TERMINAL DESCRIPTION

SYMBOL	FUNCTION	
$\overline{\text{CONT}}$	Oscillation and 3-state Output Buffer Control	
	$\overline{\text{CONT}}$	F_{OUT}
	H or OPEN	Output Frequency f_0
	L	Oscillation Stop and High impedance Output
$\overline{\text{XT}}$	Quartz Crystal Connecting Terminals	
$\overline{\text{XT}}$		
V_{SS}	$V_{\text{SS}}=0\text{V}$	
F_{OUT}	Frequency Output	
V_{DD}	$V_{\text{DD}}=2.5\text{V}$	

Note1) Refer to the line-up table.

■ABSOLUTE MAXIMUM RATINGS

($T_a=25^\circ\text{C}$)

PARAMETER	SYMBOL	RATING	UNIT
Supply Voltage	V_{DD}	-0.5 to +7.0	V
Input Voltage	V_{IN}	$V_{\text{SS}}-0.5$ to $V_{\text{DD}}+0.5$	V
Output Voltage	V_{O}	-0.5 to $V_{\text{DD}}+0.5$	V
Input Current	I_{IN}	± 10	mA
Output Current	I_{O}	± 25	mA
Operating Temperature Range	T_{opr}	-40 to +85	$^\circ\text{C}$
Storage Temperature Range	T_{stg}	-55 to +125	$^\circ\text{C}$

Note2) If the supply voltage(V_{DD}) is less than 7.0V, the input voltage must not over the V_{DD} level though 7.0V is limit specified.

Note3) Decoupling capacitor should be connected between V_{DD} and V_{SS} due to the stabilized operation for the circuit.

■ ELECTRICAL CHARACTERISTICS

(Ta=25°C)

PARAMETER	SYMBOL	CONDITIONS	MIN	TYP	MAX	UNIT
Operating Voltage	V _{DD}		1.8		2.8	V

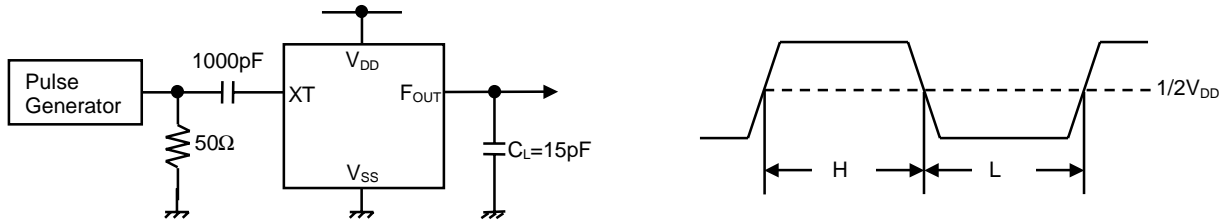
(V_{DD}=2.5V, Ta=25°C)

PARAMETER	SYMBOL	CONDITIONS	MIN	TYP	MAX	UNIT
Operating Current	I _{DD}	D version, fosc=70MHz, C _L =15pF			8	
Oscillation Stopping Current	I _{STB}	$\overline{\text{CONT}} = V_{SS}$, No load		2	5	uA
Stand-by Current	I _{st}	$\overline{\text{CONT}} = \text{XT} = V_{SS}$, No load Note4)			1	uA
Input Voltage	V _{IH}		2		2.5	V
	V _{IL}		0		0.5	V
Output Current	I _{OH}	V _{OH} =2.25V	4			mA
	I _{OL}	V _{OL} =0.25V	4			mA
Input Current	I _{IN}	$\overline{\text{CONT}} = 0.8V_{DD}$		7.5	12.0	uA
		$\overline{\text{CONT}} = 0.2V_{DD}$		1.2	2.0	uA
3-state Off Leakage Current	I _{OZ}	$\overline{\text{CONT}} = V_{SS}$, F _{OUT} = V _{DD} or V _{SS}			±0.1	uA
Feedback Resistance	R _f	D version, XT=V _{DD}		4.2		KΩ
Internal Capacitor	C _g /C _d	D version, f _{OSC} =70MHz		8.5/9		pF
Maximum Oscillation Frequency	F _{MAX}	D version	70			MHz
Output Signal Symmetry	SYM	C _L =15pF, @V _{DD} /2	45	50	55	%
Output Signal Rise Time	t _r	C _L =15pF, 10%~90%		3	6	ns
Output Signal Fall Time	t _f	C _L =15pF, 90%~10%		3	6	ns
Output Disable time	T _{PLZ}	C _L =15pF, R _{UP} =10kΩ			200	ns
Output Enable Time	T _{PZL}	C _L =15pF, R _{UP} =10kΩ			200	ns

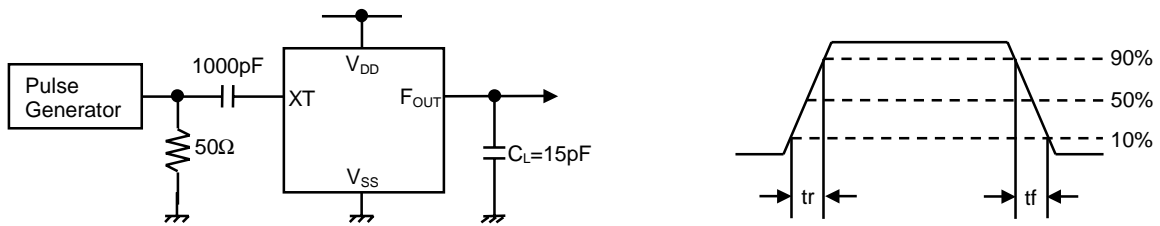
Note4) Excluding input current on $\overline{\text{CONT}}$ Terminal.

MEASUREMENT CIRCUITS

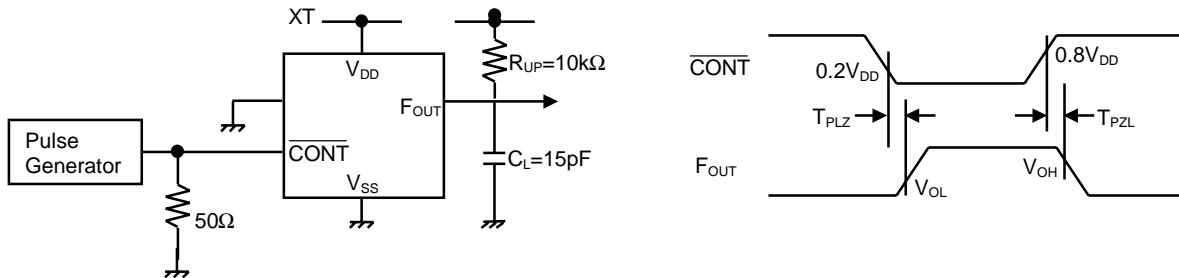
(1) Output Signal Symmetry ($C_L=15\text{pF}$)



(2) Output Signal Rise/Fall Time ($C_L=15\text{pF}$)



(3) Output Disable/Enable Time ($C_L=15\text{pF}, R_{UP}=10\text{k}\Omega$)



[CAUTION]
 The specifications on this data book are only given for information, without any guarantee as regards either mistakes or omissions. The application circuits in this data book are described only to show representative usages of the product and not intended for the guarantee or permission of any right including the industrial rights.