

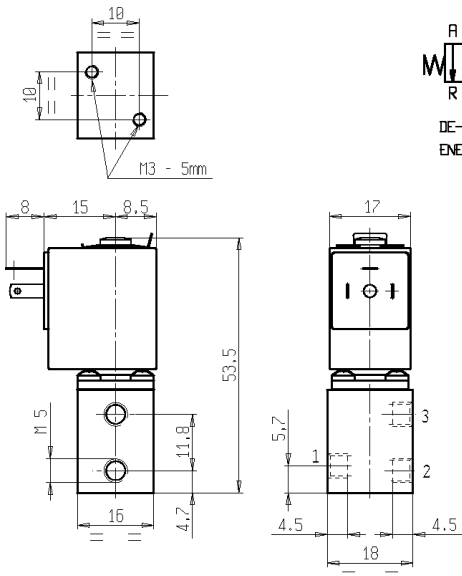


V365V06C

3/2 - MICRO SOLENOID VALVE - Normally closed (N.C.)

Series V365V06C - Coil Z030A - Port size M5

ISO 9001



NON STANDARD

**FEATURES** - Direct acting micro solenoid valve, minimum overall dimensions, quick response time and high number of cycles. Designed to shut off liquid and gaseous media compatible with valve materials.

**MOUNTING** - In any position, vertical with coil upwards preferred.

**VALVE** - Body, guide assembly, bonnet and internal parts in chemically nickel plated (Ni-P) brass. Other internal parts in stainless steel and PEI (Polyetherimide). Seals as per table. Medium temperature from 0°C to +90°C. Viscosity max 3 E° (~22 cStokes or mm<sup>2</sup>/s). Opening time from ~5ms to ~10ms. Closing time from ~5ms to ~10ms.

**COIL** - Rated for continuous duty in AC (alternate current) or DC (direct current). Coil in class "F" (+155°C) wound by class "H" wires (+180°C) vacuum impregnated by polyester resin and encapsulated into glass fibre reinforced PBT (polybutylene-terephthalate). Ambient temperature from -10°C to +60°C.

Standard voltages 24V /50Hz. AC and 12-24 V DC.

Voltage tolerance +10% -15% AC and +10% -5% DC.

Electric plug connection (DIN 46340) or for 3 poles micro- connector.

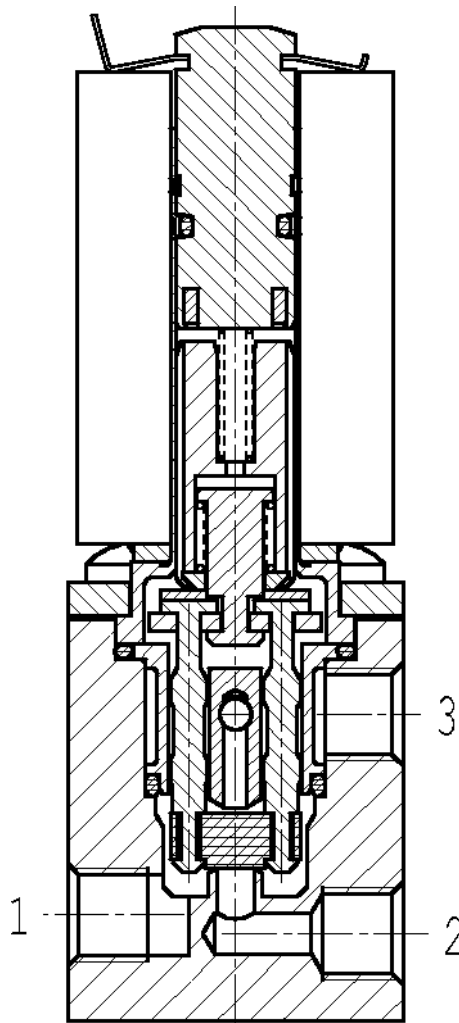
Protection degree IP65 as per EN 60529 if the coil is duly fitted with its micro- connector.

Port size ISO UNI 4534	Orifice size (mm)	Max pressure (bar)				Kv (m <sup>3</sup> /h)	Series and type		Power absorption			Seals	Weight (kg)
		Gases		Liquids			Valve	Coil	AC (VA)		DC (W)		
		AC	DC	AC	DC				Inrush	Holding			
M5	1,2	8	8	8	8	V365V06C	Z030A	6	5	4	FPM	0,090	
	2	2,5	2,5	2,5	2,5								0,08

- NOTES**
- These micro-solenoid valves are not suitable for stagnating media subject to vaporization which deposit solid, calcareous, incrustant residues or similar.
  - Seal: FPM = Fluoro-carbon elastomer.
  - Other voltages and frequencies on request: the windings in AC are designed for max voltage 24 V .

# SECTIONAL VIEW

Series V365V06C



NON STANDARD

NB - THE VALIDITY OF REPORTED DATA IS REFERRED TO THE DATE OF ISSUE. POSSIBLE UPDATING ARE AVAILABLE ON REQUEST