

# DATA SHEET

## **74LVCH32374A**

**32-bit edge-triggered D-type  
flip-flop with 5 V tolerant  
inputs/outputs; 3-state**

Product specification  
File under Integrated Circuits, IC24

1999 Nov 24

## 32-bit edge-triggered D-type flip-flop with 5 V tolerant inputs/outputs; 3-state

## 74LVCH32374A

### FEATURES

- 5 V tolerant inputs/outputs for interfacing with 5 V logic
- Wide supply voltage range from 1.2 to 3.6 V
- CMOS low power consumption
- MULTIBYTE™ flow-through standard pin-out architecture
- Low inductance multiple power and ground pins for minimum noise and ground bounce
- Direct interface with TTL levels
- Bus hold on data inputs
- Typical output ground bounce voltage:  
 $V_{OLP} < 0.8 \text{ V}$  at  $V_{CC} = 3.3 \text{ V}$  and  $T_{amb} = 25 \text{ }^\circ\text{C}$
- Typical output undershoot voltage:  
 $V_{OHV} > 2 \text{ V}$  at  $V_{CC} = 3.3 \text{ V}$  and  $T_{amb} = 25 \text{ }^\circ\text{C}$
- Power off disables outputs, permitting live insertion
- Packaged in plastic fine-pitch ball grid array package.

### DESCRIPTION

The 74LVCH32374A is a high-performance, low-power, low-voltage, Si-gate CMOS device, superior to most advanced CMOS compatible TTL families.

The inputs can be driven from either 3.3 or 5 V devices. In 3-state operation, the outputs can handle 5 V. These features allow the use of these devices in a mixed 3.3 or 5 V environment.

The 74LVCH32374A is a 32-bit edge-triggered flip-flop featuring separate D-type inputs for each flip-flop and 3-state outputs for bus oriented applications. The 74LVCH32374A consists of 4 sections of eight edge-triggered flip-flops. A clock (nCP) input and an output enable input (nOE) are provided per 8-bit section.

The flip-flops will store the state of their individual D-inputs that meet the set-up and hold time requirements on the LOW-to-HIGH nCP transition.

When input  $\overline{\text{nOE}}$  is LOW, the contents of the flip-flops are available at the outputs. When input  $\overline{\text{nOE}}$  is HIGH, the outputs go to the high-impedance OFF-state. Operation of the  $\overline{\text{nOE}}$  input does not affect the state of the flip-flops.

The 74LVCH32374A bus hold data input circuits eliminate the need for external pull-up resistors to hold unused inputs.

### QUICK REFERENCE DATA

GND = 0 V;  $T_{amb} = 25 \text{ }^\circ\text{C}$ ;  $t_r = t_f \leq 2.5 \text{ ns}$

SYMBOL	PARAMETER	CONDITIONS	TYPICAL	UNIT
$t_{PHL}/t_{PLH}$	propagation delay nCP to nQ <sub>n</sub>	$C_L = 50 \text{ pF}$ ; $V_{CC} = 3.3 \text{ V}$	3.8	ns
$f_{max}$	maximum clock frequency		150	MHz
$C_I$	input capacitance		5.0	pF
$C_{PD}$	power dissipation capacitance per buffer	$V_I = \text{GND to } V_{CC}$ ; note 1	30	pF

### Note

1.  $C_{PD}$  is used to determine the dynamic power dissipation ( $P_D$  in  $\mu\text{W}$ ).

$$P_D = C_{PD} \times V_{CC}^2 \times f_i + \Sigma (C_L \times V_{CC}^2 \times f_o) \text{ where:}$$

$f_i$  = input frequency in MHz;

$f_o$  = output frequency in MHz;

$C_L$  = output load capacitance in pF;

$V_{CC}$  = supply voltage in Volts;

$\Sigma (C_L \times V_{CC}^2 \times f_o)$  = sum of the outputs.

## 32-bit edge-triggered D-type flip-flop with 5 V tolerant inputs/outputs; 3-state

74LVCH32374A

**FUNCTION TABLE**

See note 1.

OPERATING MODE	INPUTS			INTERNAL FLIP-FLOPS	OUTPUTS
	$\overline{\text{nOE}}$	nCP	nD <sub>n</sub>		nQ <sub>n</sub>
Load and read register	L	↑	l	L	L
	L	↑	h	H	H
Load register and disable outputs	H	↑	l	L	Z
	H	↑	h	H	Z

**Note**

- H = HIGH voltage level;  
h = HIGH voltage level one set-up time prior to the HIGH-to-LOW CP transition;  
L = LOW voltage level;  
l = LOW voltage level one set-up time prior to the HIGH-to-LOW CP transition;  
Z = high-impedance OFF-state;  
↑ = LOW-to-HIGH CP transition.

**ORDERING INFORMATION**

TYPE NUMBER	PACKAGE				
	TEMPERATURE RANGE	PINS	PACKAGE	MATERIAL	CODE
74LVCH32374AEC	-40 to +85 °C	96	LFBGA96	plastic	SOT536-1

**PINNING**

SYMBOL	DESCRIPTION
nD <sub>n</sub>	data inputs
nCP	clock inputs
nQ <sub>n</sub>	flip-flop outputs
GND	ground (0 V)
$\overline{\text{nOE}}$	output enable inputs (active LOW)
V <sub>CC</sub>	DC supply voltage

32-bit edge-triggered D-type flip-flop with  
5 V tolerant inputs/outputs; 3-state

74LVCH32374A

*MNA497*

6	1D <sub>1</sub>	1D <sub>3</sub>	1D <sub>5</sub>	1D <sub>7</sub>	2D <sub>1</sub>	2D <sub>3</sub>	2D <sub>5</sub>	2D <sub>7</sub>	3D <sub>1</sub>	3D <sub>3</sub>	3D <sub>5</sub>	3D <sub>7</sub>	4D <sub>1</sub>	4D <sub>3</sub>	4D <sub>5</sub>	4D <sub>6</sub>
5	1D <sub>0</sub>	1D <sub>2</sub>	1D <sub>4</sub>	1D <sub>6</sub>	2D <sub>0</sub>	2D <sub>2</sub>	2D <sub>4</sub>	2D <sub>6</sub>	3D <sub>0</sub>	3D <sub>2</sub>	3D <sub>4</sub>	3D <sub>6</sub>	4D <sub>0</sub>	4D <sub>2</sub>	4D <sub>4</sub>	4D <sub>7</sub>
4	1CP	GND	V <sub>CC</sub>	GND	GND	V <sub>CC</sub>	GND	2CP	3CP	GND	V <sub>CC</sub>	GND	GND	V <sub>CC</sub>	GND	4CP
3	1 $\overline{OE}$	GND	V <sub>CC</sub>	GND	GND	V <sub>CC</sub>	GND	2 $\overline{OE}$	3 $\overline{OE}$	GND	V <sub>CC</sub>	GND	GND	V <sub>CC</sub>	GND	4 $\overline{OE}$
2	1Q <sub>0</sub>	1Q <sub>2</sub>	1Q <sub>4</sub>	1Q <sub>6</sub>	2Q <sub>0</sub>	2Q <sub>2</sub>	2Q <sub>4</sub>	2Q <sub>6</sub>	3Q <sub>0</sub>	3Q <sub>2</sub>	3Q <sub>4</sub>	3Q <sub>6</sub>	4Q <sub>0</sub>	4Q <sub>2</sub>	4Q <sub>4</sub>	4Q <sub>7</sub>
1	1Q <sub>1</sub>	1Q <sub>3</sub>	1Q <sub>5</sub>	1Q <sub>7</sub>	2Q <sub>1</sub>	2Q <sub>3</sub>	2Q <sub>5</sub>	2Q <sub>7</sub>	3Q <sub>1</sub>	3Q <sub>3</sub>	3Q <sub>5</sub>	3Q <sub>7</sub>	4Q <sub>1</sub>	4Q <sub>3</sub>	4Q <sub>5</sub>	4Q <sub>6</sub>
	A	B	C	D	E	F	G	H	J	K	L	M	N	P	R	T

Fig.1 Pin configuration.

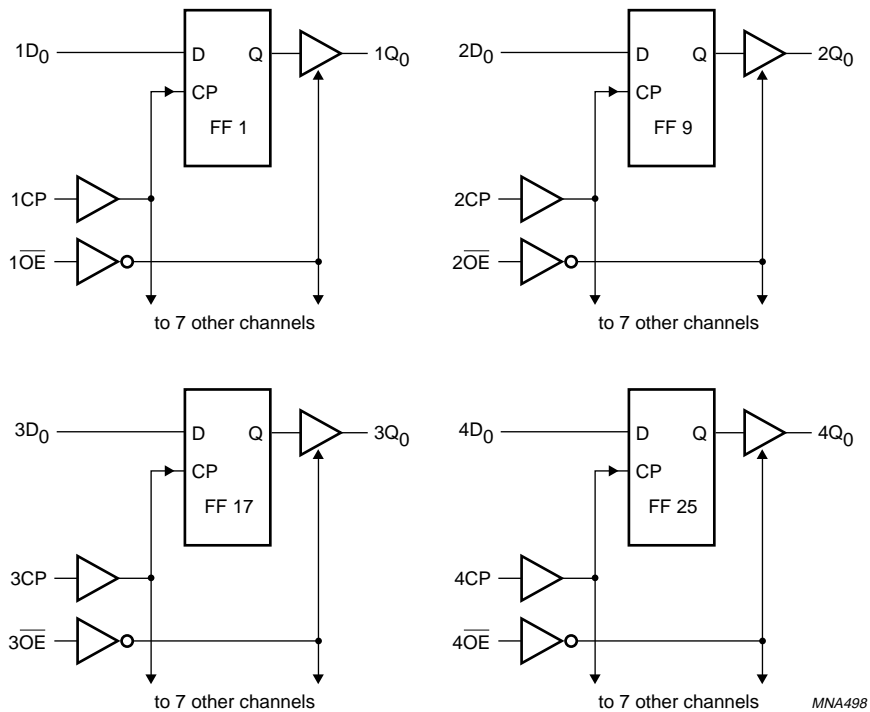


Fig.2 Logic symbol.

32-bit edge-triggered D-type flip-flop with  
5 V tolerant inputs/outputs; 3-state

74LVCH32374A

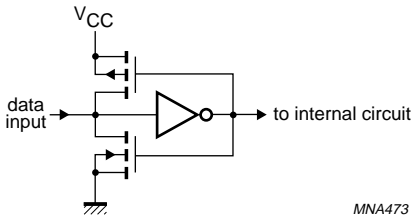


Fig.3 Bus hold circuit.

## 32-bit edge-triggered D-type flip-flop with 5 V tolerant inputs/outputs; 3-state

74LVCH32374A

### RECOMMENDED OPERATING CONDITIONS

SYMBOL	PARAMETER	CONDITIONS	LIMITS		UNIT
			MIN.	MAX.	
V <sub>CC</sub>	DC supply voltage	maximum speed performance	2.7	3.6	V
		low-voltage applications	1.2	3.6	V
V <sub>I</sub>	DC input voltage		0	5.5	V
V <sub>O</sub>	DC output voltage	HIGH or LOW state	0	V <sub>CC</sub>	V
		3-state	0	5.5	V
T <sub>amb</sub>	operating ambient temperature	see DC and AC characteristics per device	-40	+85	°C
t <sub>r</sub> , t <sub>f</sub> (Δt/Δf)	input rise and fall times	V <sub>CC</sub> = 1.2 to 2.7 V	0	20	ns/V
		V <sub>CC</sub> = 2.7 to 3.6 V	0	10	

### LIMITING VALUES

In accordance with the Absolute Maximum Rating System (IEC 134); voltages are referenced to GND (ground = 0 V).

SYMBOL	PARAMETER	CONDITIONS	MIN.	MAX.	UNIT
V <sub>CC</sub>	DC supply voltage		-0.5	+6.5	V
V <sub>I</sub>	DC input voltage	note 1	-0.5	+6.5	V
I <sub>IK</sub>	DC input diode current	V <sub>I</sub> < 0	-	-50	mA
I <sub>OK</sub>	DC output diode current	V <sub>O</sub> > V <sub>CC</sub> or V <sub>O</sub> < 0; note 1	-	±50	mA
V <sub>O</sub>	DC output voltage	HIGH or LOW state; note 1	-0.5	V <sub>CC</sub> + 0.5	V
		3-state; note 1	-0.5	+6.5	V
I <sub>O</sub>	DC output source or sink current	V <sub>O</sub> = 0 to V <sub>CC</sub>	-	±50	mA
I <sub>CC</sub> , I <sub>GND</sub>	DC V <sub>CC</sub> or GND current		-	±100	mA
T <sub>stg</sub>	storage temperature		-65	+150	°C
P <sub>D</sub>	power dissipation per package	temperature range -40 to +85 °C; note 2	-	1000	mW

### Notes

- The input and output voltage ratings may be exceeded, if the input and output current ratings are observed.
- Above 70 °C the value of P<sub>D</sub> derates linearly with 1.8 mW/K.

## 32-bit edge-triggered D-type flip-flop with 5 V tolerant inputs/outputs; 3-state

74LVCH32374A

### DC CHARACTERISTICS

Over recommended operating conditions; voltages are referenced to GND (ground = 0 V).

SYMBOL	PARAMETER	TEST CONDITIONS		T <sub>amb</sub> (°C)			UNIT
		OTHER	V <sub>CC</sub> (V)	-40 to +85			
				MIN.	TYP. <sup>(1)</sup>	MAX.	
V <sub>IH</sub>	HIGH-level input voltage		1.2	V <sub>CC</sub>	–	–	V
			2.7 to 3.6	2.0	–	–	V
V <sub>IL</sub>	LOW-level input voltage		1.2	–	–	GND	V
			2.7 to 3.6	–	–	0.8	V
V <sub>OH</sub>	HIGH-level output voltage	V <sub>I</sub> = V <sub>IH</sub> or V <sub>IL</sub> I <sub>O</sub> = –12 mA I <sub>O</sub> = –100 μA I <sub>O</sub> = –18 mA I <sub>O</sub> = –24 mA	2.7	V <sub>CC</sub> – 0.5	–	–	V
			3.0	V <sub>CC</sub> – 0.2	V <sub>CC</sub>	–	V
			3.0	V <sub>CC</sub> – 0.6	–	–	V
			3.0	V <sub>CC</sub> – 0.8	–	–	V
V <sub>OL</sub>	LOW-level output voltage	V <sub>I</sub> = V <sub>IH</sub> or V <sub>IL</sub> I <sub>O</sub> = 12 mA I <sub>O</sub> = 100 μA I <sub>O</sub> = 24 mA	2.7	–	–	0.40	V
			3.0	–	–	0.20	V
			3.0	–	–	0.55	V
I <sub>I</sub>	input leakage current	V <sub>I</sub> = 5.5 V or GND; note 2	3.6	–	±0.1	±5	μA
I <sub>OZ</sub>	3-state output OFF-state current	V <sub>I</sub> = V <sub>IH</sub> or V <sub>IL</sub> ; V <sub>O</sub> = 5.5 V or GND	3.6	–	0.1	±5	μA
I <sub>off</sub>	power off leakage supply current	V <sub>I</sub> or V <sub>O</sub> = 5.5 V	0.0	–	0.1	±10	μA
I <sub>CC</sub>	quiescent supply current	V <sub>I</sub> = V <sub>CC</sub> or GND; I <sub>O</sub> = 0	3.6	–	0.1	40	μA
ΔI <sub>CC</sub>	additional quiescent supply current per input pin	V <sub>I</sub> = V <sub>CC</sub> – 0.6 V; I <sub>O</sub> = 0	2.7 to 3.6	–	5	500	μA
I <sub>BHL</sub>	bus hold LOW sustaining current	V <sub>I</sub> = 0.8 V; notes 3, 4 and 5	3.0	75	–	–	μA
I <sub>BHH</sub>	bus hold HIGH sustaining current	V <sub>I</sub> = 2.0 V; notes 3, 4 and 5	3.0	–75	–	–	μA
I <sub>BHLO</sub>	bus hold LOW overdrive current	notes 3, 4 and 6	3.6	500	–	–	μA
I <sub>BHHO</sub>	bus hold HIGH overdrive current	notes 3, 4 and 6	3.6	–500	–	–	μA

### Notes

- All typical values are at V<sub>CC</sub> = 3.3 V and T<sub>amb</sub> = 25 °C.
- For bus hold parts the bus hold circuit is switched off when V<sub>I</sub> exceeds V<sub>CC</sub> allowing 5.5 V on the input terminal.
- Valid for data inputs of bus hold parts (LVCH32-A) only.
- For data inputs only; control inputs do not have a bus hold circuit.
- The specified sustaining current at the data input holds the input below the specified V<sub>I</sub> level.
- The specified overdrive current at the data input forces the data input to the opposite logic input level.

32-bit edge-triggered D-type flip-flop with  
5 V tolerant inputs/outputs; 3-state

74LVCH32374A

AC CHARACTERISTICS

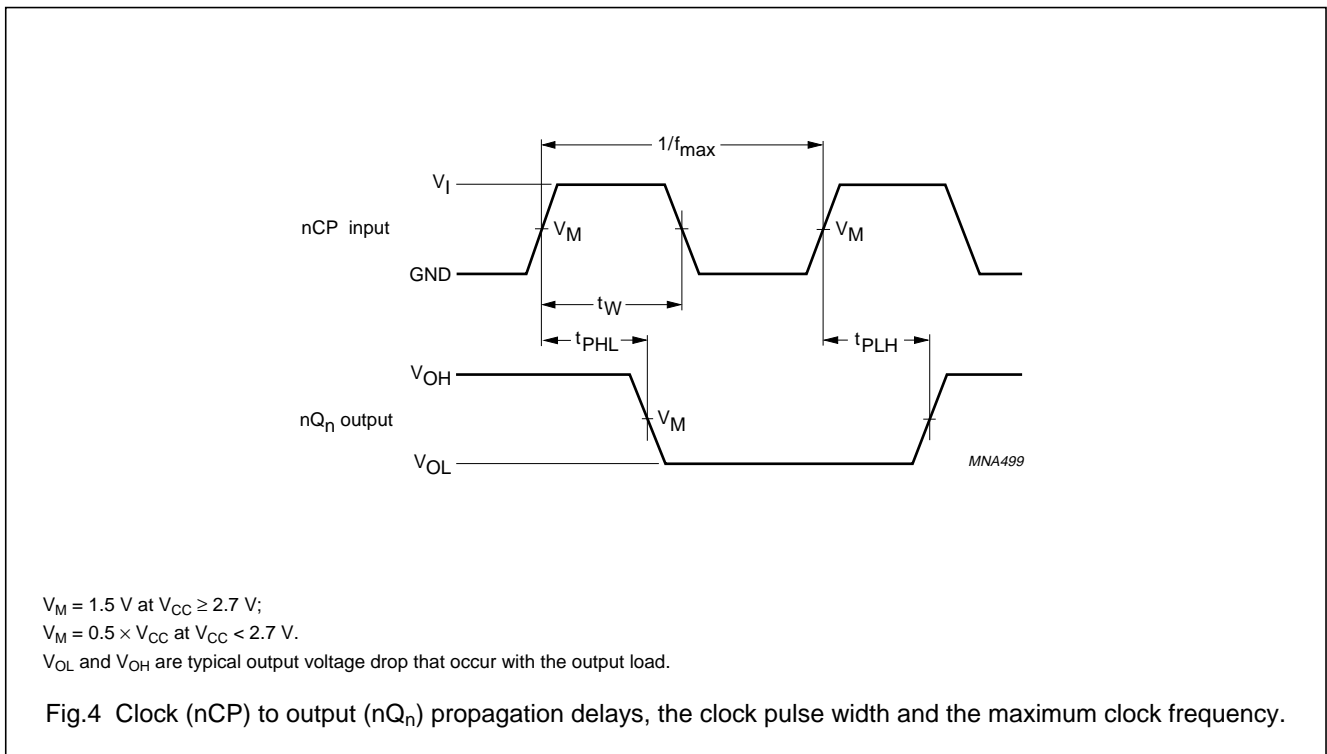
GND = 0 V;  $t_r = t_f \leq 2.5$  ns;  $C_L = 50$  pF;  $R_L = 500 \Omega$ .

SYMBOL	PARAMETER	TEST CONDITIONS		$T_{amb} = -40$ to $+85$ °C			UNIT
		WAVEFORMS	$V_{CC}$ (V)	MIN.	TYP. <sup>(1)</sup>	MAX.	
$t_{PHL}/t_{PLH}$	propagation delay nCP to nQ <sub>n</sub>	see Figs 4 and 7	2.7	1.5	–	6.4	ns
			3.0 to 3.6	1.5	3.8	5.4	ns
$t_{PZH}/t_{PZL}$	3-state output enable time nOE to nQ <sub>n</sub>	see Figs 6 and 7	2.7	1.5	–	6.6	ns
			3.0 to 3.6	1.5	3.6	5.6	ns
$t_{PHZ}/t_{PLZ}$	3-state output disable time nOE to nQ <sub>n</sub>	see Figs 6 and 7	2.7	1.5	–	6.5	ns
			3.0 to 3.6	1.5	3.9	5.5	ns
$t_W$	nCP pulse width HIGH	see Figs 4 and 7	2.7	3.0	–	–	ns
			3.0 to 3.6	3.0	1.5	–	ns
$t_{su}$	set-up time nD <sub>n</sub> to nCP	see Figs 5 and 7	2.7	2.0	–	–	ns
			3.0 to 3.6	1.9	0.3	–	ns
$t_h$	hold time nD <sub>n</sub> to nCP	see Figs 5 and 7	2.7	1.5	–	–	ns
			3.0 to 3.6	+1.1	–0.3	–	ns
$f_{max}$	maximum clock frequency	see Figs 4 and 7	2.7	80	–	–	MHz
			3.0 to 3.6	100	–	–	MHz

Note

1. All typical values are measured at  $V_{CC} = 3.3$  V and  $T_{amb} = 25$  °C.

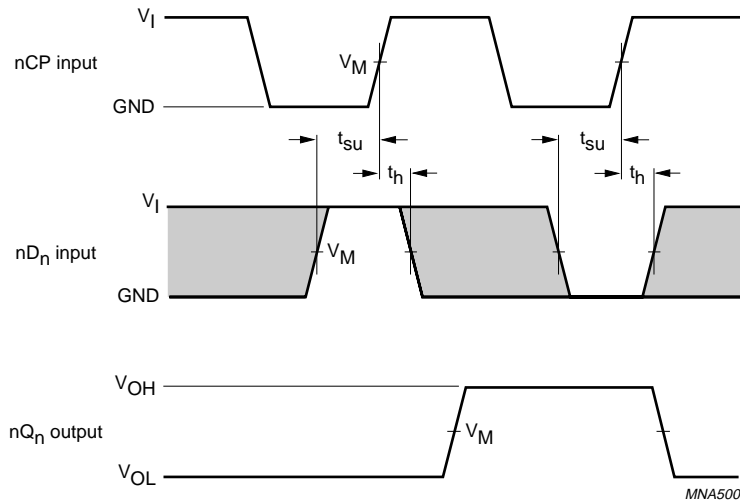
AC WAVEFORMS





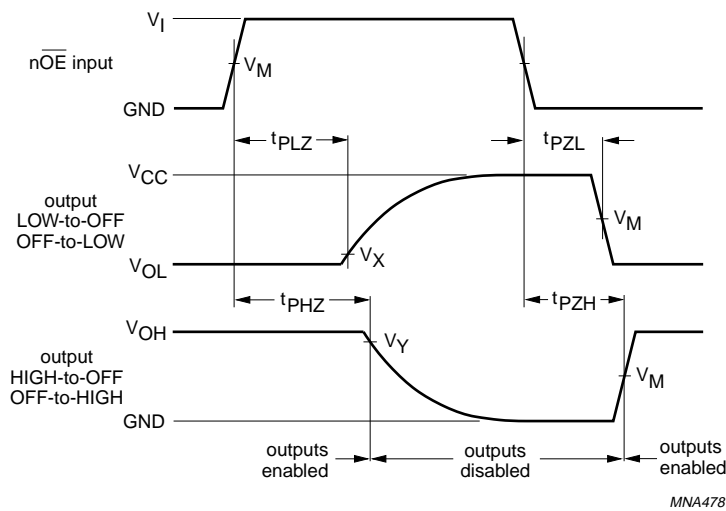
32-bit edge-triggered D-type flip-flop with  
5 V tolerant inputs/outputs; 3-state

74LVCH32374A



$V_M = 1.5 \text{ V}$  at  $V_{CC} \geq 2.7 \text{ V}$ ;  
 $V_M = 0.5 \times V_{CC}$  at  $V_{CC} < 2.7 \text{ V}$ .  
 $V_{OL}$  and  $V_{OH}$  are typical output voltage drop that occur with the output load.

Fig.5 Set-up and hold times for inputs (nD<sub>n</sub>) to inputs (nCP).

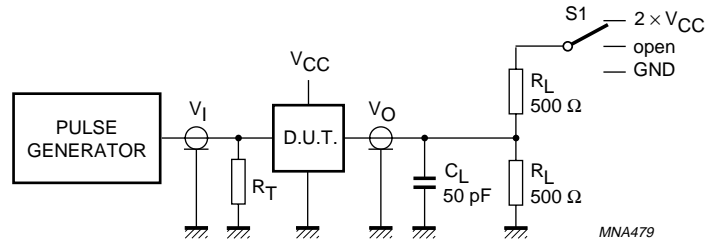


$V_M = 1.5 \text{ V}$  at  $V_{CC} \geq 2.7 \text{ V}$ ;  
 $V_M = 0.5 \times V_{CC}$  at  $V_{CC} < 2.7 \text{ V}$ .  
 $V_X = V_{OL} + 0.3 \text{ V}$  at  $V_{CC} \geq 2.7 \text{ V}$ ;  
 $V_X = V_{OL} + 0.1 \text{ V}$  at  $V_{CC} < 2.7 \text{ V}$ .  
 $V_Y = V_{OH} - 0.3 \text{ V}$  at  $V_{CC} \geq 2.7 \text{ V}$ ;  
 $V_Y = V_{OH} - 0.1 \text{ V}$  at  $V_{CC} < 2.7 \text{ V}$ .  
 $V_{OL}$  and  $V_{OH}$  are typical output voltage drop that occur with the output load.

Fig.6 3-state output enable and disable times.

32-bit edge-triggered D-type flip-flop with  
5 V tolerant inputs/outputs; 3-state

74LVCH32374A



TEST	S1
$t_{PLH}/t_{PHL}$	open
$t_{PLZ}/t_{PZL}$	$2 \times V_{CC}$
$t_{PHZ}/t_{PZH}$	GND

$V_{CC}$	$V_I$
<2.7 V	$V_{CC}$
2.7 to 3.6 V	2.7 V

Definitions for test circuit:

$R_L$  = load resistor.

$C_L$  = load capacitance including jig and probe capacitance.

$R_T$  = termination resistance should be equal to the output impedance  $Z_o$  of the pulse generator.

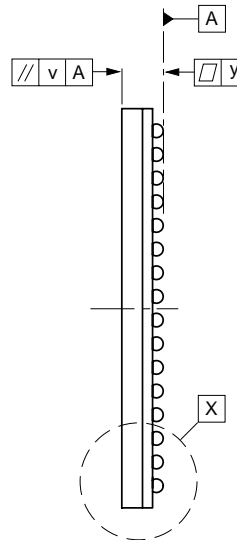
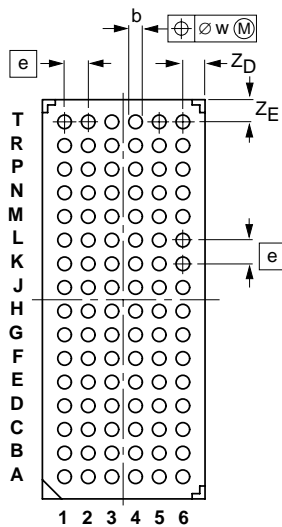
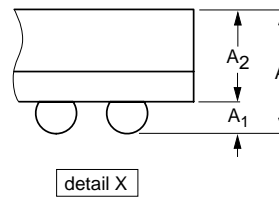
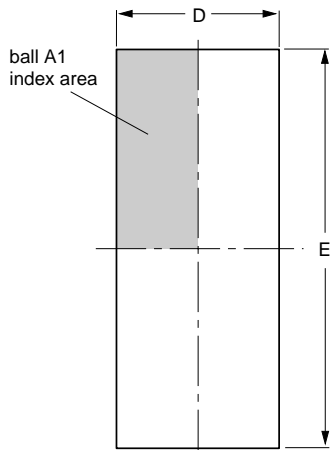
Fig.7 Test circuitry for switching times.

32-bit edge-triggered D-type flip-flop with  
5 V tolerant inputs/outputs; 3-state

74LVCH32374A

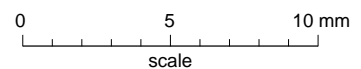
PACKAGE OUTLINE

LFBGA96: plastic low profile fine-pitch ball grid array package; 96 balls; body 13.5 x 5.5 x 1.05 mm SOT536-1



DIMENSIONS (mm are the original dimensions)

UNIT	A max.	A <sub>1</sub>	A <sub>2</sub>	b	D	E	e	v	w	y	Z <sub>D</sub>	Z <sub>E</sub>
mm	1.5	0.41 0.31	1.2 0.9	0.51 0.41	5.6 5.4	13.6 13.4	0.8	0.2	0.15	0.1	0.93 0.58	0.93 0.58



OUTLINE VERSION	REFERENCES				EUROPEAN PROJECTION	ISSUE DATE
	IEC	JEDEC	EIAJ			
SOT536-1						98-11-25 99-06-03

## 32-bit edge-triggered D-type flip-flop with 5 V tolerant inputs/outputs; 3-state

74LVCH32374A

### SOLDERING

#### Introduction to soldering surface mount packages

This text gives a very brief insight to a complex technology. A more in-depth account of soldering ICs can be found in our *"Data Handbook IC26; Integrated Circuit Packages"* (document order number 9398 652 90011).

There is no soldering method that is ideal for all surface mount IC packages. Wave soldering is not always suitable for surface mount ICs, or for printed-circuit boards with high population densities. In these situations reflow soldering is often used.

#### Reflow soldering

Reflow soldering requires solder paste (a suspension of fine solder particles, flux and binding agent) to be applied to the printed-circuit board by screen printing, stencilling or pressure-syringe dispensing before package placement.

Several methods exist for reflowing; for example, infrared/convection heating in a conveyor type oven. Throughput times (preheating, soldering and cooling) vary between 100 and 200 seconds depending on heating method.

Typical reflow peak temperatures range from 215 to 250 °C. The top-surface temperature of the packages should preferably be kept below 230 °C.

#### Wave soldering

Conventional single wave soldering is not recommended for surface mount devices (SMDs) or printed-circuit boards with a high component density, as solder bridging and non-wetting can present major problems.

To overcome these problems the double-wave soldering method was specifically developed.

If wave soldering is used the following conditions must be observed for optimal results:

- Use a double-wave soldering method comprising a turbulent wave with high upward pressure followed by a smooth laminar wave.
- For packages with leads on two sides and a pitch (e):
  - larger than or equal to 1.27 mm, the footprint longitudinal axis is **preferred** to be parallel to the transport direction of the printed-circuit board;
  - smaller than 1.27 mm, the footprint longitudinal axis **must** be parallel to the transport direction of the printed-circuit board.

The footprint must incorporate solder thieves at the downstream end.

- For packages with leads on four sides, the footprint must be placed at a 45° angle to the transport direction of the printed-circuit board. The footprint must incorporate solder thieves downstream and at the side corners.

During placement and before soldering, the package must be fixed with a droplet of adhesive. The adhesive can be applied by screen printing, pin transfer or syringe dispensing. The package can be soldered after the adhesive is cured.

Typical dwell time is 4 seconds at 250 °C.

A mildly-activated flux will eliminate the need for removal of corrosive residues in most applications.

#### Manual soldering

Fix the component by first soldering two diagonally-opposite end leads. Use a low voltage (24 V or less) soldering iron applied to the flat part of the lead. Contact time must be limited to 10 seconds at up to 300 °C.

When using a dedicated tool, all other leads can be soldered in one operation within 2 to 5 seconds between 270 and 320 °C.

## 32-bit edge-triggered D-type flip-flop with 5 V tolerant inputs/outputs; 3-state

74LVCH32374A

### Suitability of surface mount IC packages for wave and reflow soldering methods

PACKAGE	SOLDERING METHOD	
	WAVE	REFLOW <sup>(1)</sup>
BGA, LFBGA, SQFP, TFBGA	not suitable	suitable
HBCC, HLQFP, HSQFP, HSOP, HTQFP, HTSSOP, SMS	not suitable <sup>(2)</sup>	suitable
PLCC <sup>(3)</sup> , SO, SOJ	suitable	suitable
LQFP, QFP, TQFP	not recommended <sup>(3)(4)</sup>	suitable
SSOP, TSSOP, VSO	not recommended <sup>(5)</sup>	suitable

#### Notes

- All surface mount (SMD) packages are moisture sensitive. Depending upon the moisture content, the maximum temperature (with respect to time) and body size of the package, there is a risk that internal or external package cracks may occur due to vaporization of the moisture in them (the so called popcorn effect). For details, refer to the Drypack information in the "Data Handbook IC26; Integrated Circuit Packages; Section: Packing Methods".
- These packages are not suitable for wave soldering as a solder joint between the printed-circuit board and heatsink (at bottom version) can not be achieved, and as solder may stick to the heatsink (on top version).
- If wave soldering is considered, then the package must be placed at a 45° angle to the solder wave direction. The package footprint must incorporate solder thieves downstream and at the side corners.
- Wave soldering is only suitable for LQFP, TQFP and QFP packages with a pitch (e) equal to or larger than 0.8 mm; it is definitely not suitable for packages with a pitch (e) equal to or smaller than 0.65 mm.
- Wave soldering is only suitable for SSOP and TSSOP packages with a pitch (e) equal to or larger than 0.65 mm; it is definitely not suitable for packages with a pitch (e) equal to or smaller than 0.5 mm.

#### DEFINITIONS

Data sheet status	
Objective specification	This data sheet contains target or goal specifications for product development.
Preliminary specification	This data sheet contains preliminary data; supplementary data may be published later.
Product specification	This data sheet contains final product specifications.
Limiting values	
Limiting values given are in accordance with the Absolute Maximum Rating System (IEC 134). Stress above one or more of the limiting values may cause permanent damage to the device. These are stress ratings only and operation of the device at these or at any other conditions above those given in the Characteristics sections of the specification is not implied. Exposure to limiting values for extended periods may affect device reliability.	
Application information	
Where application information is given, it is advisory and does not form part of the specification.	

#### LIFE SUPPORT APPLICATIONS

These products are not designed for use in life support appliances, devices, or systems where malfunction of these products can reasonably be expected to result in personal injury. Philips customers using or selling these products for use in such applications do so at their own risk and agree to fully indemnify Philips for any damages resulting from such improper use or sale.

---

32-bit edge-triggered D-type flip-flop with  
5 V tolerant inputs/outputs; 3-state

---

74LVCH32374A

**NOTES**

---

32-bit edge-triggered D-type flip-flop with  
5 V tolerant inputs/outputs; 3-state

---

74LVCH32374A

**NOTES**

# Philips Semiconductors – a worldwide company

**Argentina:** see South America

**Australia:** 3 Figtree Drive, HOME BUSH, NSW 2140,  
Tel. +61 2 9704 8141, Fax. +61 2 9704 8139

**Austria:** Computerstr. 6, A-1101 WIEN, P.O. Box 213,  
Tel. +43 1 60 101 1248, Fax. +43 1 60 101 1210

**Belarus:** Hotel Minsk Business Center, Bld. 3, r. 1211, Volodarski Str. 6,  
220050 MINSK, Tel. +375 172 20 0733, Fax. +375 172 20 0773

**Belgium:** see The Netherlands

**Brazil:** see South America

**Bulgaria:** Philips Bulgaria Ltd., Energoproject, 15th floor,  
51 James Bourchier Blvd., 1407 SOFIA,  
Tel. +359 2 68 9211, Fax. +359 2 68 9102

**Canada:** PHILIPS SEMICONDUCTORS/COMPONENTS,  
Tel. +1 800 234 7381, Fax. +1 800 943 0087

**China/Hong Kong:** 501 Hong Kong Industrial Technology Centre,  
72 Tat Chee Avenue, Kowloon Tong, HONG KONG,  
Tel. +852 2319 7888, Fax. +852 2319 7700

**Colombia:** see South America

**Czech Republic:** see Austria

**Denmark:** Sydhavnsgade 23, 1780 COPENHAGEN V,  
Tel. +45 33 29 3333, Fax. +45 33 29 3905

**Finland:** Sinikalliontie 3, FIN-02630 ESPOO,  
Tel. +358 9 615 800, Fax. +358 9 6158 0920

**France:** 51 Rue Carnot, BP317, 92156 SURESNES Cedex,  
Tel. +33 1 4099 6161, Fax. +33 1 4099 6427

**Germany:** Hammerbrookstraße 69, D-20097 HAMBURG,  
Tel. +49 40 2353 60, Fax. +49 40 2353 6300

**Hungary:** see Austria

**India:** Philips INDIA Ltd, Band Box Building, 2nd floor,  
254-D, Dr. Annie Besant Road, Worli, MUMBAI 400 025,  
Tel. +91 22 493 8541, Fax. +91 22 493 0966

**Indonesia:** PT Philips Development Corporation, Semiconductors Division,  
Gedung Philips, Jl. Buncit Raya Kav.99-100, JAKARTA 12510,  
Tel. +62 21 794 0040 ext. 2501, Fax. +62 21 794 0080

**Ireland:** Newstead, Clonskeagh, DUBLIN 14,  
Tel. +353 1 7640 000, Fax. +353 1 7640 200

**Israel:** RAPAC Electronics, 7 Kehilat Saloniki St, PO Box 18053,  
TEL AVIV 61180, Tel. +972 3 645 0444, Fax. +972 3 649 1007

**Italy:** PHILIPS SEMICONDUCTORS, Via Casati, 23 - 20052 MONZA (MI),  
Tel. +39 039 203 6838, Fax +39 039 203 6800

**Japan:** Philips Bldg 13-37, Kohnan 2-chome, Minato-ku,  
TOKYO 108-8507, Tel. +81 3 3740 5130, Fax. +81 3 3740 5057

**Korea:** Philips House, 260-199 Itaewon-dong, Yongsan-ku, SEOUL,  
Tel. +82 2 709 1412, Fax. +82 2 709 1415

**Malaysia:** No. 76 Jalan Universiti, 46200 PETALING JAYA, SELANGOR,  
Tel. +60 3 750 5214, Fax. +60 3 757 4880

**Mexico:** 5900 Gateway East, Suite 200, EL PASO, TEXAS 79905,  
Tel. +9-5 800 234 7381, Fax +9-5 800 943 0087

**Middle East:** see Italy

**Netherlands:** Postbus 90050, 5600 PB EINDHOVEN, Bldg. VB,  
Tel. +31 40 27 82785, Fax. +31 40 27 88399

**New Zealand:** 2 Wagener Place, C.P.O. Box 1041, AUCKLAND,  
Tel. +64 9 849 4160, Fax. +64 9 849 7811

**Norway:** Box 1, Manglerud 0612, OSLO,  
Tel. +47 22 74 8000, Fax. +47 22 74 8341

**Pakistan:** see Singapore

**Philippines:** Philips Semiconductors Philippines Inc.,  
106 Valero St. Salcedo Village, P.O. Box 2108 MCC, MAKATI,  
Metro MANILA, Tel. +63 2 816 6380, Fax. +63 2 817 3474

**Poland:** Al.Jerozolimskie 195 B, 02-222 WARSAW,  
Tel. +48 22 5710 000, Fax. +48 22 5710 001

**Portugal:** see Spain

**Romania:** see Italy

**Russia:** Philips Russia, Ul. Usatcheva 35A, 119048 MOSCOW,  
Tel. +7 095 755 6918, Fax. +7 095 755 6919

**Singapore:** Lorong 1, Toa Payoh, SINGAPORE 319762,  
Tel. +65 350 2538, Fax. +65 251 6500

**Slovakia:** see Austria

**Slovenia:** see Italy

**South Africa:** S.A. PHILIPS Pty Ltd., 195-215 Main Road Martindale,  
2092 JOHANNESBURG, P.O. Box 58088 Newville 2114,  
Tel. +27 11 471 5401, Fax. +27 11 471 5398

**South America:** Al. Vicente Pinzon, 173, 6th floor,  
04547-130 SÃO PAULO, SP, Brazil,  
Tel. +55 11 821 2333, Fax. +55 11 821 2382

**Spain:** Balmes 22, 08007 BARCELONA,  
Tel. +34 93 301 6312, Fax. +34 93 301 4107

**Sweden:** Kottbygatan 7, Akalla, S-16485 STOCKHOLM,  
Tel. +46 8 5985 2000, Fax. +46 8 5985 2745

**Switzerland:** Allmendstrasse 140, CH-8027 ZÜRICH,  
Tel. +41 1 488 2741 Fax. +41 1 488 3263

**Taiwan:** Philips Semiconductors, 6F, No. 96, Chien Kuo N. Rd., Sec. 1,  
TAIPEI, Taiwan Tel. +886 2 2134 2886, Fax. +886 2 2134 2874

**Thailand:** PHILIPS ELECTRONICS (THAILAND) Ltd.,  
209/2 Sanpavuth-Bangna Road Prakanong, BANGKOK 10260,  
Tel. +66 2 745 4090, Fax. +66 2 398 0793

**Turkey:** Yukari Dudullu, Org. San. Blg., 2.Cad. Nr. 28 81260 Umraniye,  
ISTANBUL, Tel. +90 216 522 1500, Fax. +90 216 522 1813

**Ukraine:** PHILIPS UKRAINE, 4 Patrice Lumumba str., Building B, Floor 7,  
252042 KIEV, Tel. +380 44 264 2776, Fax. +380 44 268 0461

**United Kingdom:** Philips Semiconductors Ltd., 276 Bath Road, Hayes,  
MIDDLESEX UB3 5BX, Tel. +44 208 730 5000, Fax. +44 208 754 8421

**United States:** 811 East Arques Avenue, SUNNYVALE, CA 94088-3409,  
Tel. +1 800 234 7381, Fax. +1 800 943 0087

**Uruguay:** see South America

**Vietnam:** see Singapore

**Yugoslavia:** PHILIPS, Trg N. Pasica 5/v, 11000 BEOGRAD,  
Tel. +381 11 62 5344, Fax.+381 11 63 5777

**For all other countries apply to:** Philips Semiconductors,  
International Marketing & Sales Communications, Building BE-p, P.O. Box 218,  
5600 MD EINDHOVEN, The Netherlands, Fax. +31 40 27 24825

**Internet:** <http://www.semiconductors.philips.com>

© Philips Electronics N.V. 1999

SCA 68

All rights are reserved. Reproduction in whole or in part is prohibited without the prior written consent of the copyright owner.

The information presented in this document does not form part of any quotation or contract, is believed to be accurate and reliable and may be changed without notice. No liability will be accepted by the publisher for any consequence of its use. Publication thereof does not convey nor imply any license under patent- or other industrial or intellectual property rights.

Printed in The Netherlands

245004/01/pp16

Date of release: 1999 Nov 24

Document order number: 9397 750 06467

*Let's make things better.*

**Philips**  
Semiconductors



**PHILIPS**