

**LA9605W****MD Player RF and Matrix Signal-Processing IC****Overview**

The LA9605W integrates MiniDisk playback functions, including servo error signal generation, RF signal processing, and wobble signal binarization output on a single chip. The LA9605W, when combined with an LC89640, can implement a complete MD player system.

Features

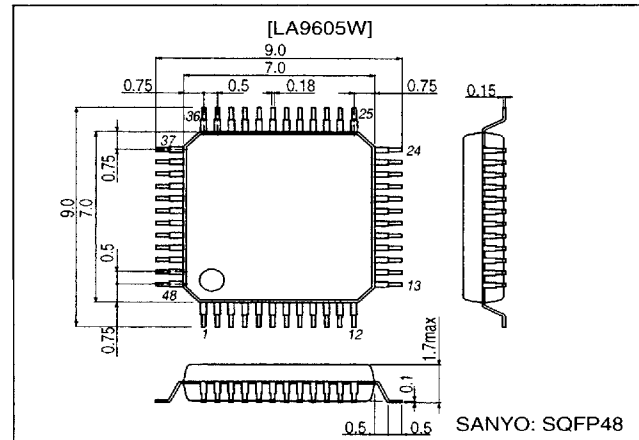
- Allows the servo error signal level to be set to an arbitrary level using a VCA circuit.
- Few peripheral components required.
- Ultraminiature package

Functions

- Servo signal I-V conversion amplifier
- Pit/groove switching RF amplifier
- RF equalizer amplifier
- Servo signal VCA
- APC circuit
- Focus error amplifier
- Tracking error amplifier
- HFL circuit
- Defect detection circuit
- ADIP amplifier
- Pre-pit circuit (pit/groove discrimination circuit)
- ADIPCR

Package Dimensions

unit: mm

3163A-SQFP48

■ Any and all SANYO products described or contained herein do not have specifications that can handle applications that require extremely high levels of reliability, such as life-support systems, aircraft's control systems, or other applications whose failure can be reasonably expected to result in serious physical and/or material damage. Consult with your SANYO representative nearest you before using any SANYO products described or contained herein in such applications.

■ SANYO assumes no responsibility for equipment failures that result from using products at values that exceed, even momentarily, rated values (such as maximum ratings, operating condition ranges, or other parameters) listed in products specifications of any and all SANYO products described or contained herein.

SANYO Electric Co., Ltd. Semiconductor Business Headquarters

TOKYO OFFICE Tokyo Bldg., 1-10, 1 Chome, Ueno, Taito-ku, TOKYO, 110-8534 JAPAN

D2598RM (OT) No. 5980-1/11

☐ ■ 7997076 0021993 8T3 ■

LA9605W

Specifications

Maximum Ratings at Ta = 25°C

Parameter	Symbol	Conditions	Ratings	Unit
Maximum supply voltage	V _{CC} max		7	V
Allowable power dissipation	Pd max	When mounted on a 114.3 × 76.1 × 1.6-mm single-sided glass-epoxy printed circuit board. Ta ≤ 75 °C	350	mW
Operating temperature	Topr		-25 to +75	°C
Storage temperature	Tstg		-40 to +150	°C

Operating Conditions at Ta = 25°C

Parameter	Symbol	Conditions	Ratings	Unit
Recommended supply voltage	V _{CC}		5	V
Operating supply voltage range	V _{CC} op		2.7 to 5.5	V

Electrical Characteristics at Ta = 25°C, V_{CC} = 5 V

Parameter	Symbol	Conditions	Ratings			Unit
			min	typ	max	
Current drain	I _{CC}		18	32	46	mA
[RF AMP GROVE]						
Gain	V _G RFMG1	EQ _O /I : J = V _C	27	30	33	dB
[RF AMP MO.PIT]						
Offset	V _{OS} RFMP1	RF _O 1 : I = J = V _C	V _C - 245	V _C - 185	V _C - 125	mV
Gain	V _G RFMP1	EQ _O /I : I = J	15	18	21	dB
[RF AMP AL]						
Offset	V _{OS} RFAP1	RF _O 1 : I = J = V _C	V _C - 152	V _C - 92	V _C - 32	mV
Gain	V _G RFAP1	EQ _O /I : I = J = V _C	5.5	8.5	11.5	dB
[RF AMP]						
Output level	H	V _{ORFH} 1	EQ _O : RF _I 1 = V _C + 1 V	3.5	4.1	V
	L	V _{ORFL} 1	EQ _O : RF _I 1 = V _C - 1 V		0.9	1.5
[ABCD GR]						
Gain	V _G ABG1	ABCD/A (10 kHz) : A = B = C = D, SGC = 0.78 V	17.5	20.5	23.5	dB
Output level	H	V _O ABGH2	ABCD : A = B = C = D = V _C - 400 mV, SGC = 0.78 V	4.5	4.9	V
	L	V _O ABGL2	ABCD : A = B = C = D = V _C + 400 mV, SGC = 0.78 V		0.1	0.5
[ABCD PIT]						
Gain	V _G ABP1	ABCD/A (10 kHz) : A = B = C = D, SGC = 0.3 V	10.6	13.6	16.6	dB
Frequency characteristics	V _Δ GABP1	ABCD/A (10 kHz) - ABCD/A (35 kHz), SGC = 0.3 V	3.9	6.9	9.9	dB
[FOCS]						
Output level	H	V _O FOH1	FE : B = D = V _C + 825 mV, A = C = V _C , SGC = 0.3 V	4.5	4.9	V
	L	V _O FOH1	FE : B = D = V _C - 825 mV, A = C = V _C , SGC = 0.3 V		0.1	0.5
Gain	V _G FO1	FE/A (5 kHz) : A = -B = C = -D, SGC = 0.3 V	13.9	16.9	19.9	dB
Frequency characteristics	V _Δ GFO1	FE/A (5 kHz) - FE/A (26 kHz) : A = -B = C = -D, SGC = 0.3 V	0.4	3.4	6.4	dB
[TE GR]						
Output level	H	V _O TEGH1	TE : F = V _C + 200 mV, E = V _C , SGC = 0.78 V	4.5	4.9	V
	L	V _O TEGL1	TE : F = V _C - 200 mV, E = V _C , SGC = 0.78 V		0.1	0.5
Gain	V _G TEG1	TE/E (5 kHz) : E = -F, SGC = 0.78 V	31.4	34.4	37.4	dB
Frequency characteristics	V _Δ GTEG1	TE/E (5 kHz) - TE/E (38 kHz) : E = -F, SGC = 0.78 V	1.8	4.8	8.8	dB
[TE PIT]						
Gain	V _G TEP1	TE/E (5 kHz) : E = -F, SGC = 0.3 V	25.2	28.2	31.2	dB
Frequency characteristics	V _Δ GTEP1	TE/E (5 kHz) - TE/E (38 kHz) : E = -F, SGC = 0.3 V	1.8	4.8	8.8	dB
[ADIP]						
Output level	H	V _O ADH1	CAD : A = D = V _C + 0.4 V, B = C = V _C	1.4	1.7	2.0
	L	V _O ADL1	CAD : A = D = V _C - 0.4 V, B = C = V _C	3.1	3.3	3.6

Continued on next page.

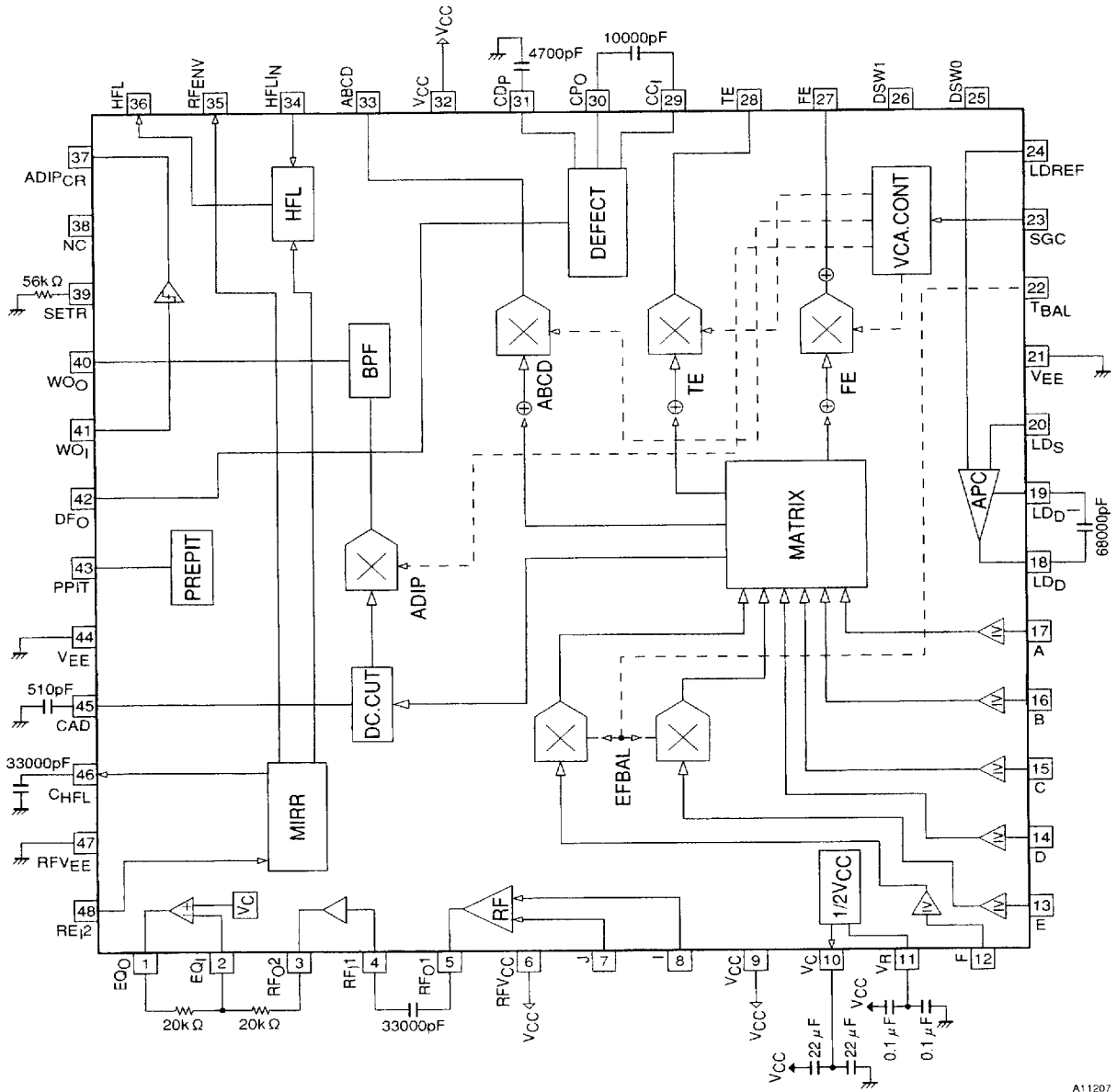
7997076 0021994 73T

LA9605W

Continued from preceding page.

Parameter	Symbol	Conditions	Ratings			Unit	
			min	typ	max		
[APC LDON]							
Output level	H	V _{OLH1}	LD _D : LD _{REF} = 0 V, LD _S = 1 V	3.7	4.2	4.7	V
	L	V _{OLL1}	LD _D : LD _{REF} = 1 V, LD _S = 0 V	0.3	0.8	1.3	V
[APC LDOFF]							
Off voltage		V _{OLOF1}	LD _D : LD _{REF} = 1 V, LD _S = 0 V	3.7	4.2	4.7	V
[HFL]							
Output level	H	V _{OHFLH1}	HFL : HFL _{IN} = V _C - 0.1 V	4.6	4.8		V
	L	V _{OHFL1}	HFL : HFL _{IN} = V _C		0.2	0.4	V
[DEFCT]							
Output level	H	V _{ODEFH1}	DFO : CC _I = 1.5 V	4.6	4.9		V
	L	V _{ODEFL1}	DFO : CC _I = OPEN, A = B = C = D = V _C - 200 mV		0.1	0.4	V
[VC reference voltage]							
		V _{O_{SC}}	V _C :	2.35	2.5	2.65	V
		V _{O_{CLSO}}	V _C : V _C - 1 mA	2.35	2.5	2.65	V
		V _{O_{CLSI}}	V _C : V _C + 1 mA	2.35	2.5	2.65	V
[PREPIT MO]							
High-level output voltage		V _{OPPH1}	PPIT : I = J = 200 kHz (95 mVp-p + V _C + 0.125 V)	4.6	4.8		V
Low-level output voltage		V _{OPPL1}	PPIT : I = J = 30 kHz (95 mVp-p + V _C + 0.125 V)		0.2	0.4	V
High/low level switching time		DTPP1	PPIT : I = J = 200 kHz to 30 kHz (95 mVp-p + V _C + 0.125 V)	70	150	230	μs
[BPF]							
Gain		V _{GBF1}	WO _{O/A} (22.05 kHz) : A = -B = -C = D, SGC = 0.3 V	23.8	26.8	29.8	dB
Filter characteristics		V _{GBF2}	V _{GBF1} /V _{GBF2} : (16 kHz), SGC = 0.3 V	0.8	4.8	9.8	dB
		V _{GBF3}	V _{GBF1} /V _{GBF3} : (30 kHz), SGC = 0.3 V	0.4	4.4	9.4	dB
[I - V]							
IV voltage A		ΔV _{RA}	A : V (-1 μA) - V (-2 μA)	70	100	130	mV
IV voltage B		ΔV _{RB}	B : V (-1 μA) - V (-2 μA)	70	100	130	mV
IV voltage C		ΔV _{RC}	C : V (-1 μA) - V (-2 μA)	70	100	130	mV
IV voltage D		ΔV _{RD}	D : V (-1 μA) - V (-2 μA)	70	100	130	mV
IV voltage E		ΔV _{RE}	E : V (-1 μA) - V (-2 μA)	70	100	130	mV
IV voltage F		ΔV _{RF}	F : V (-1 μA) - V (-2 μA)	70	100	130	mV
T _a = 25°C, V _{CC} = 2.7 V							
[FOCS]							
Offset		V _{OSFO1}	FE : A = B = C = D = OPEN, SGC = 0.78 V	-300	0	+300	mV
[COMP]							
Offset		V _{OSCO1}	WO _J : WO _J = OPEN	-15	0	+15	mV

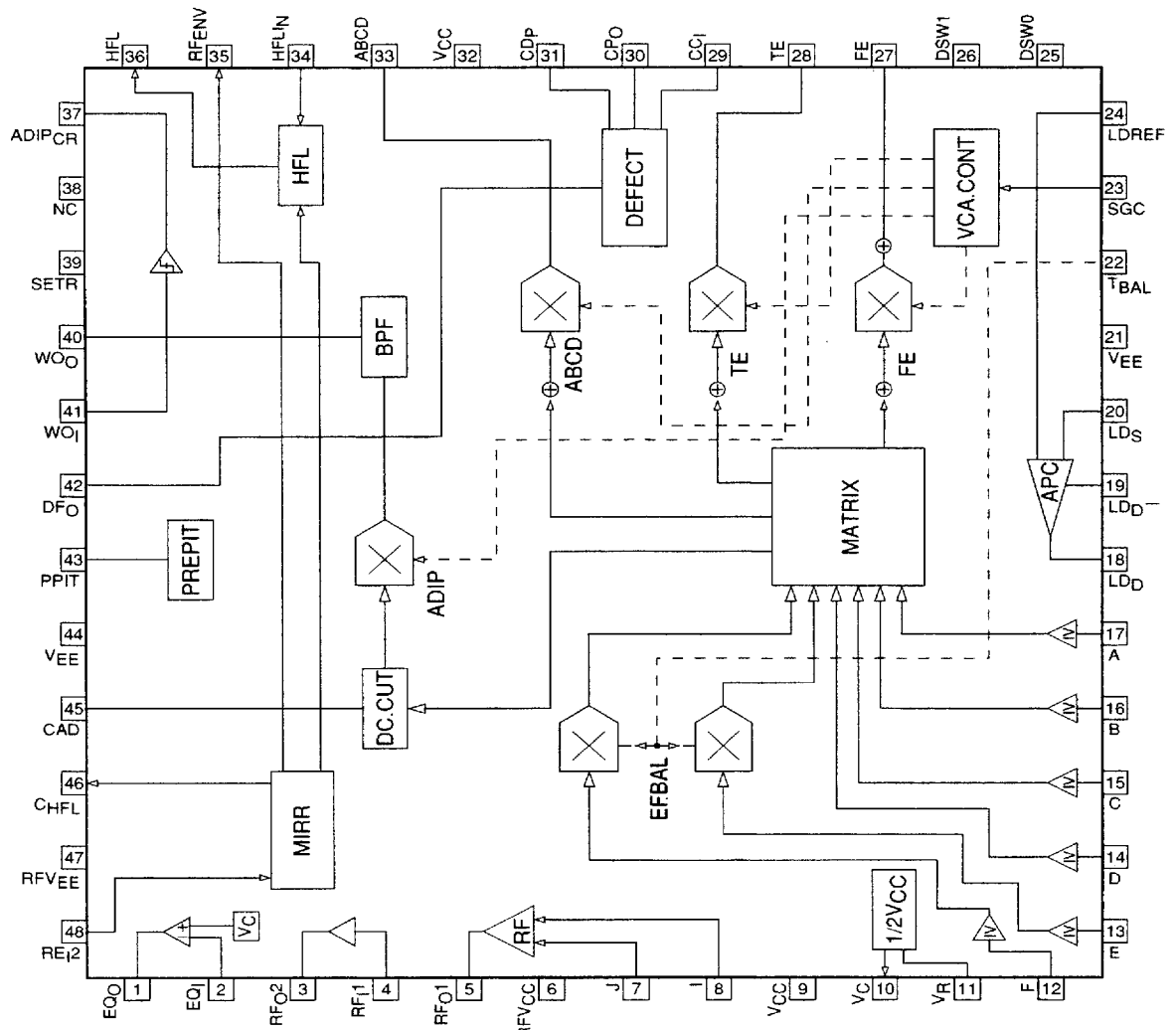
Test Circuit



A11207

7997076 0021996 502

Block Diagram and Pin Assignment



A11208

7997076 0021997 449

Pin Functions

Pin No.	Pin	I/O	Function	Equivalent circuit
1	EQ _O	O	RF equalizer output	<p>A11209</p>
2	EQ _I	I	RF equalizer input	<p>A11210</p>
3	RF _{O2}	O	RF output	<p>A11211</p>
4	RF _{I1}	I	RF AC coupled input	
5	RF _{O1}	O	RF AC coupled output	<p>A11212</p>
6	RFV _{CC}	P	RF block power supply	
7	J	I	I/V converted RF signal input	<p>A11213</p>
8	I		I/V converted RF signal input	

Continued on next page.

LA9605W

Continued from preceding page.

Pin No.	Pin	I/O	Function	Equivalent circuit
9	V _{CC}	P	Matrix block power supply	
10	V _C	O	1/2 V _{CC} output (reference voltage)	<p>A11214</p>
11	V _R	I	1/2 V _{CC} input	
12	F	I	Side beam signal inputs	<p>A11215</p>
13	E		Main beam signal inputs	
14	D			
15	C			
16	B			
17	A			
18	LD _D	O	APC output	<p>A11216</p>
19	LD _{D-}	I	APC phase compensation capacitor connection	
20	LD _S	I	I/V converted laser optical intensity input	<p>A11217</p>
24	LD _{REF}		Laser power setting input	
21	V _{EE}	P	Matrix block ground	
22	T _{BAL}	I	Tracking error signal balance adjustment voltage input	<p>A11218</p>
23	SGC		V _{CA} gain control voltage input (ground reference)	

Continued on next page.

LA9605W

Continued from preceding page.

Pin No.	Pin	I/O	Function	Equivalent circuit
25	DSW0	I	Disc mode switching signal input, laser off input High: Low reflectance disc Low: High reflectance disc If both DSW0 and DSW1 are low, the laser is off.	
26	DSW1		Disc mode switching signal input, laser off input High: Tracking is over a pit Low: Tracking is over a groove If both DSW0 and DSW1 are low, the laser is off.	
27	FE	O	Focus error signal output	
28	TE		Tracking error signal output	
29	CC ₁	I	Defect peak hold signal AC coupled input	
30	CP _O	O	Defect peak hold signal output	
31	C _{DP}	O	Defect peak hold capacitor connection	
32	V _{CC}	P	ADIP block power supply	

Continued on next page.

Continued from preceding page.

Pin No.	Pin	I/O	Function	Equivalent circuit
33	ABCD	O	Main beam optical intensity signal output	<p>A11225</p>
34	HFL _{IN}	I	HFL detection optical intensity signal AC coupled input used in groove mode	<p>A11226</p>
35	RF _{ENV}	O	RF envelope signal output	<p>A11227</p>
46	C _{HFL}		Mirror peak hold capacitor connection	
36	HFL	O	HFL signal (tracking on/off signal) output	<p>A11228</p>

Continued on next page.

7997076 0022001 578

LA9605W

Continued from preceding page.

Pin No.	Pin	I/O	Function	Equivalent circuit
37	ADIP _{CR}	O	ADIP carrier output	<p>A11229</p>
38	NC	—	No connection	
39	SETR	I	Bandpass filter fo setting	<p>A11230</p>
40	WO _O	O	Wobble signal output	<p>A11231</p>
41	WO _I	I	Wobble signal AC coupled input	<p>A11232</p>
42	DF _O	O	Defect detection signal output	<p>A11233</p>
43	PPIT	O	Pit/groove	<p>A11234</p>
44	V _{EE}	P	ADIP block ground	

Continued on next page.

LA9605W

Continued from preceding page.

Pin No.	Pin	I/O	Function	Equivalent circuit
45	CAD	—	Wobble DC cut capacitor connection	<p style="text-align: right;">A11235</p>
47	RFV _{EE}	P	RF block ground	
48	RF _{I2}	I	RF signal input	<p style="text-align: right;">A11236</p>

- Specifications of any and all SANYO products described or contained herein stipulate the performance, characteristics, and functions of the described products in the independent state, and are not guarantees of the performance, characteristics, and functions of the described products as mounted in the customer's products or equipment. To verify symptoms and states that cannot be evaluated in an independent device, the customer should always evaluate and test devices mounted in the customer's products or equipment.
- SANYO Electric Co., Ltd. strives to supply high-quality high-reliability products. However, any and all semiconductor products fail with some probability. It is possible that these probabilistic failures could give rise to accidents or events that could endanger human lives, that could give rise to smoke or fire, or that could cause damage to other property. When designing equipment, adopt safety measures so that these kinds of accidents or events cannot occur. Such measures include but are not limited to protective circuits and error prevention circuits for safe design, redundant design, and structural design.
- In the event that any or all SANYO products (including technical data, services) described or contained herein are controlled under any of applicable local export control laws and regulations, such products must not be exported without obtaining the export license from the authorities concerned in accordance with the above law.
- No part of this publication may be reproduced or transmitted in any form or by any means, electronic or mechanical, including photocopying and recording, or any information storage or retrieval system, or otherwise, without the prior written permission of SANYO Electric Co., Ltd.
- Any and all information described or contained herein are subject to change without notice due to product/technology improvement, etc. When designing equipment, refer to the "Delivery Specification" for the SANYO product that you intend to use.
- Information (including circuit diagrams and circuit parameters) herein is for example only; it is not guaranteed for volume production. SANYO believes information herein is accurate and reliable, but no guarantees are made or implied regarding its use or any infringements of intellectual property rights or other rights of third parties.

This catalog provides information as of December, 1998. Specifications and information herein are subject to change without notice.

PS No. 5980-11/11

■ 7997076 0022003 340 ■