

# MC33351A

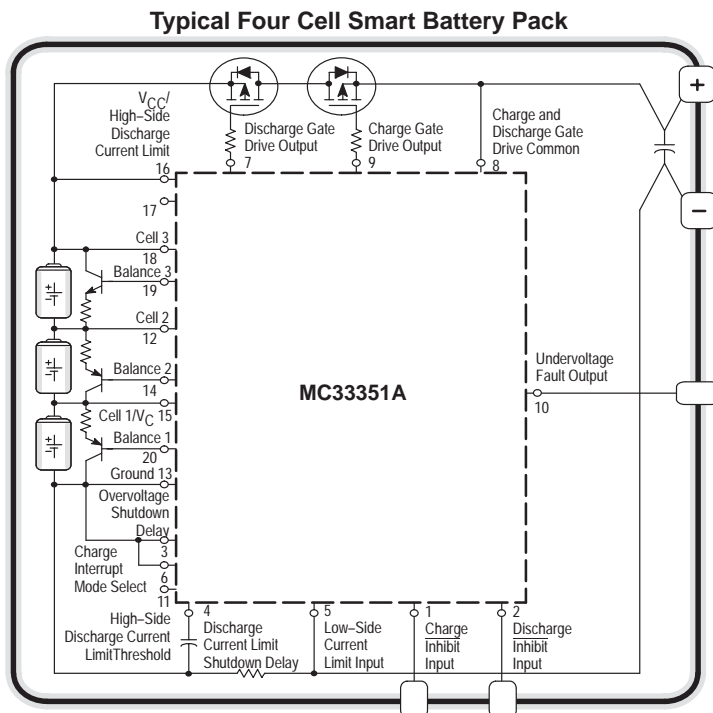
## Advanced Information

# Lithium Battery Protection Circuit for Three Battery Packs

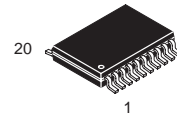
The MC33351A is a monolithic lithium battery protection circuit that is designed to enhance the useful operating life of three cell rechargeable battery packs. The MC33351A is specifically designed to be placed in a lithium battery pack where the battery cells continuously power it. In order to maintain cell operation within specified limits, the protection circuit senses cell voltages, and discharge current, and correspondingly controls the state of two P-channel MOSFET switches. These switches are connected in series with the positive terminal of the cell three and the positive terminal of the battery pack. During a fault condition, the MC33351A open circuits the pack by turning off one of these MOSFET switches.

### Features

- Selectable Charge Interrupt Voltage Sensing Mode for Precise Cell Voltage Measurements
- Programmable Overvoltage Delay
- Choice of Discharge Current Limit Sensing Elements consisting of either Low-Side Resistor or High-Side MOSFET Switches
- Programmable Discharge Current Limit Threshold and Shutdown Delay
- Selectable Cell Voltage Balancing
- Virtually Zero Current Sleepmode State when Cells are Discharged
- Minimum External Components for Inclusion within the Battery Pack
- Available in Low Profile Surface Mount Package

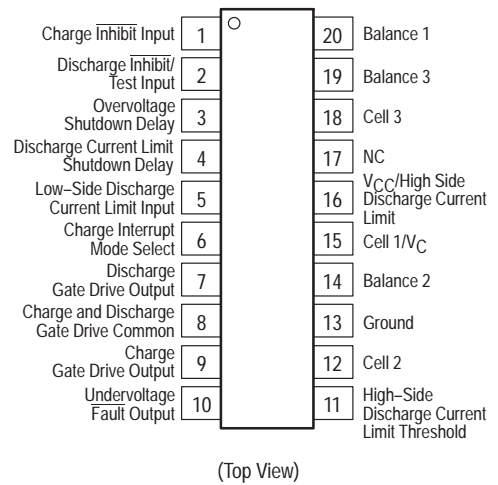


**ON Semiconductor**  
Formerly a Division of Motorola  
<http://onsemi.com>



**TSSOP-20  
DTB SUFFIX  
CASE 948E**

### PIN CONNECTIONS



### ORDERING INFORMATION

Device	Package	Shipping
MC33351ADTB	TSSOP-20	75 Units/Rail
MC33351ADTBR2	TSSOP-20	2500 Tape/Reel

# MC33351A

Smart Battery Pack with Low-Side Discharge Current Sensing, Charge Interrupt Voltage Sensing, and Cell Voltage Balancing

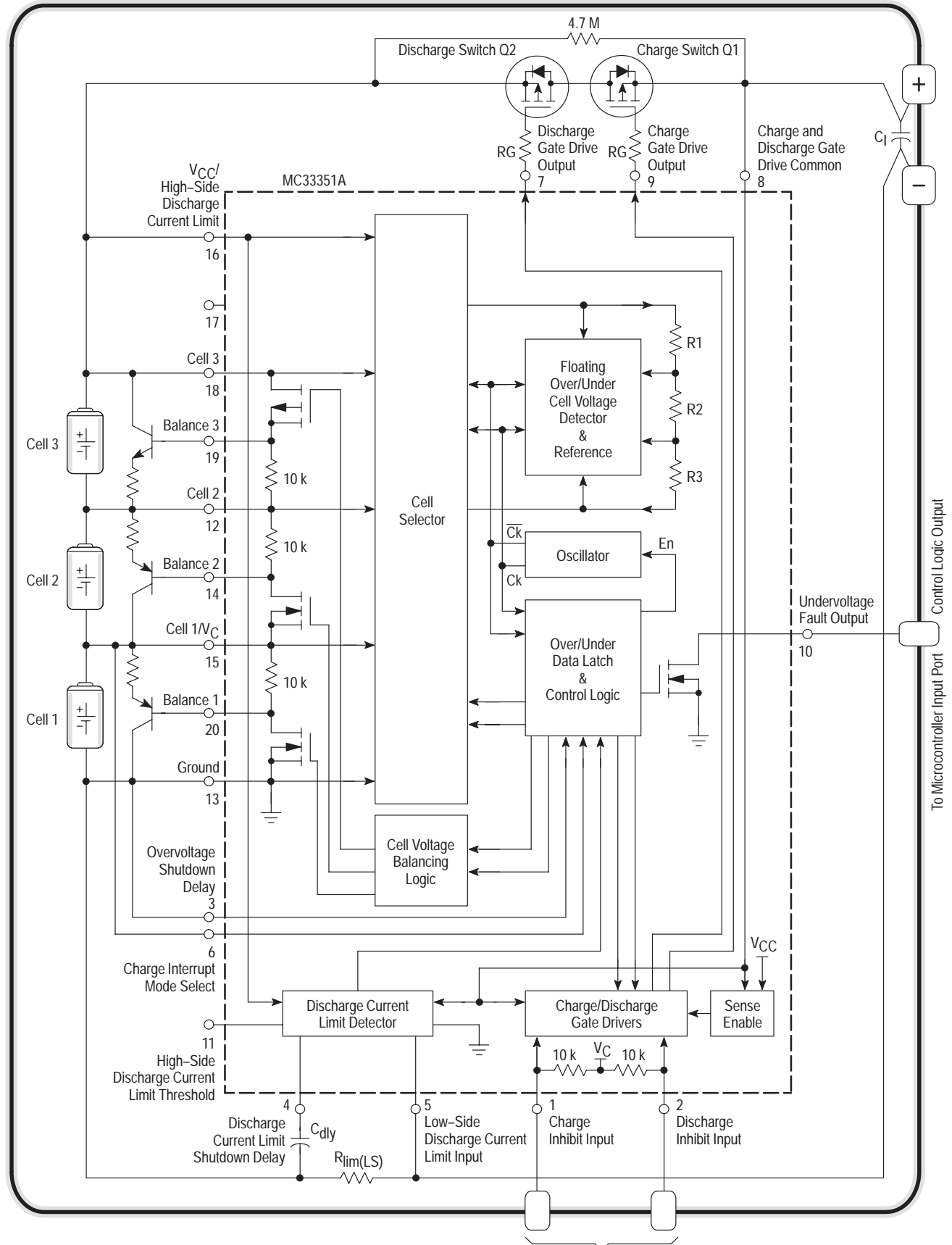


Figure 1. Control Logic Inputs from Microcontroller Output Ports

# MC33351A

## Smart Battery Pack with High-Side Discharge Current Sensing

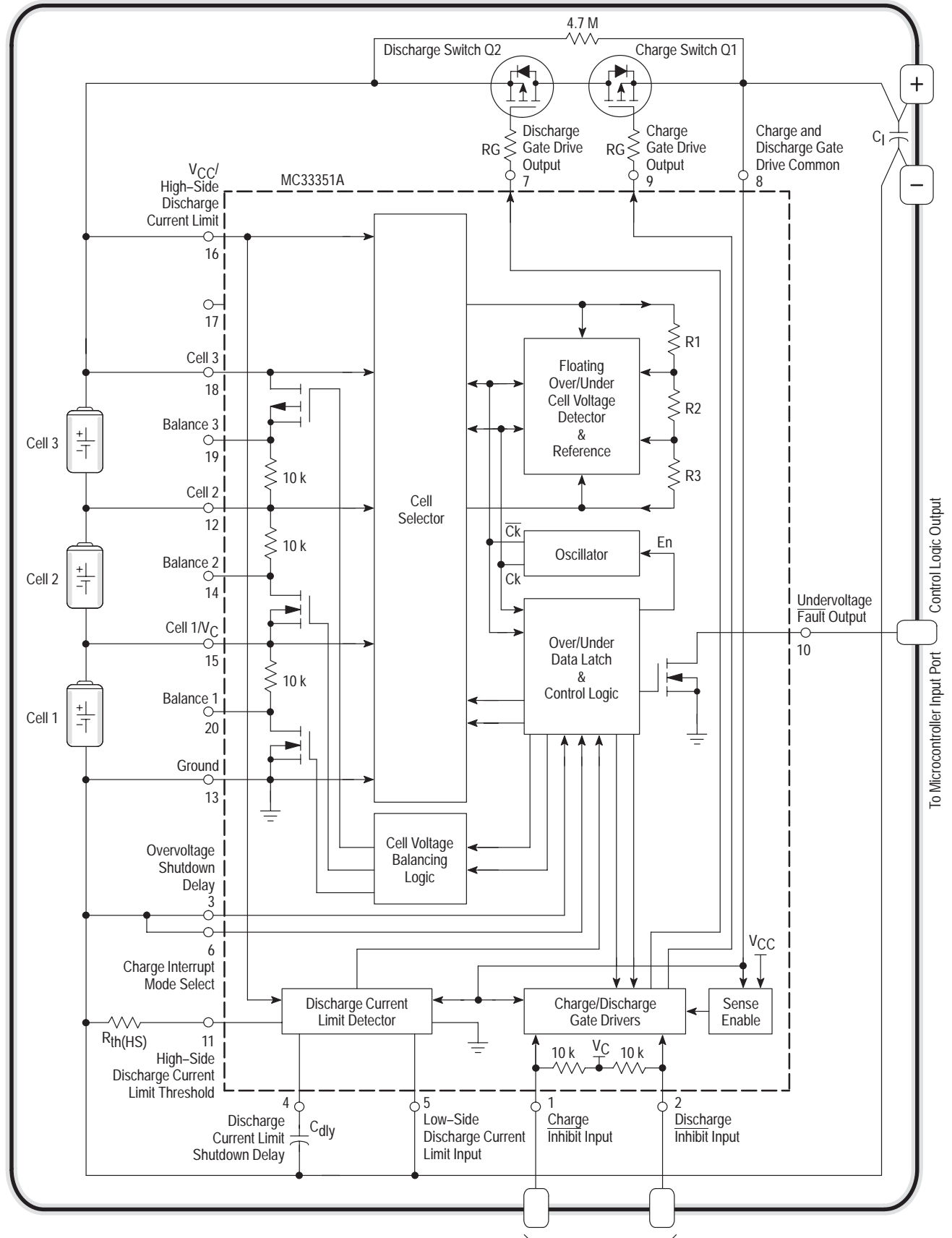


Figure 2. Control Logic Inputs from Microcontroller Output Ports

# MC33351A

## MAXIMUM RATINGS

Ratings	Symbol	Value	Unit
Input Voltage (Measured with respect to Ground, Pin 13) Cell 1/Vc (Pin 15) Cell 2 (Pin 12) Cell 3 (Pin 18) Vcc/ High Side Discharge Current Limit (Pin 16) Charge Inhibit Input (Pin 1) Discharge Inhibit Input (Pin 2) Overvoltage Shutdown Delay (Pin 3) Discharge Current Limit Shutdown Delay (Pin 4) Low-Side Discharge Current Limit Input (Pin 5) Voltage Sampling Mode Select (Pin 6) Discharge Gate Drive Output (Pin 7) Charge Gate Drive Common (Pin 8) Charge Gate Drive Output (Pin 9) Undervoltage Fault Output (Pin 10) High-Side Current Limit Threshold (Pin 11)	$V_{IR}$	7.5 10 18 20 7.5 7.5 7.5 20 7.5 7.5 18 20 18 20 7.5	V
Cell Balancing Current (Note 1) Balance 3, Source Current (Pin 19) Balance 1, Balance 2 Sink Current (Pin 20, 14)	$I_{bal}$	50 50	mA
Undervoltage Fault Output Sink Current (Pin 10)	$I_{fft}$	10	mA
Thermal Resistance, Junction-to-Air DTB Suffix, TSSOP Plastic Package, Case 948E DW Suffix, SO-20L Plastic Package, Case 751D	$R_{\theta JA}$	135 105	°C/W
Operating Junction Temperature (Note 1, 2)	$T_J$	-40 to 150	°C
Storage Temperature	$T_{stg}$	-55 to 150	°C

**ELECTRICAL CHARACTERISTICS** ( $V_{cell\ 3}$  (Pin 18) = 10.5V,  $V_{cell\ 2}$  (Pin 12) = 7.0V,  $V_{cell\ 1}$  (Pin 15) = 3.5V,  $C_{dly}$  (Pin 4) = 1000 pF,  $T_A$  = 25°C)

Characteristic	Symbol	Min	Typ	Max	Unit
----------------	--------	-----	-----	-----	------

## VOLTAGE SENSING

Cell Charging Cutoff (Pin 15 to 13, 12 to 15, 18 to 12) Overvoltage Threshold, $V_{Cell}$ Increasing MC33351A-1,3 MC33351A-2,4	$V_{th(OV)}$	4.2075 4.3065		4.2925 4.3935	V
Overvoltage Hysteresis, $V_{Cell}$ Decreasing Delay	$V_H$	50	125	200	mV
One Overvoltage Sample (Pin 3 = Gnd)	$t_{dly(OV)}$	0	-	1.2	s
Two Consecutive Overvoltage Samples (Pin 3 = Vc)		1.0	-	2.1	s
Cell Discharging Cutoff MC33351A-1,2 MC33351A-3,4 Undervoltage Threshold, $V_{Cell}$ Decreasing	$V_{th(UV)}$	2.185 1.900	2.3 2.0	2.415 2.100	V
Input Bias Current During Cell Voltage Sampling	$I_{IB}$	-	28	-	μA
Cell Voltage Sampling Rate	$t_{(smp)}$	-	1.0	-	s
Charge Interrupt Input Voltage Range (Pin 6) Enabled Disabled	$V_{th(Intrrpt)}$	- -	( $V_C/2+0.2$ to $V_C$ ) (0 to $V_C/2-0.2$ )	- -	V
Enabled Charge Interrupt Time	$t_{Intrrp}$	-	20	-	ms
Cell Program Input Voltage Range (Pin 18 to 16) Three Cell Mode Enabled Four Cell Mode Enabled	$V_{th(3)}$	- -	0 to 0.3 0.7 to $V_{cell\ 4}$	- -	V

**NOTE:** 1 Maximum package power dissipation limits must be observed.  
2. Tested ambient temperature range for the MC33351A:  
 $T_{low} = -25^\circ\text{C}$        $T_{high} = +85^\circ\text{C}$

# MC33351A

**ELECTRICAL CHARACTERISTICS** ( $V_{\text{cell 3}}$  (Pin 18) = 10.5V,  $V_{\text{cell 2}}$  (Pin 12) = 7.0V,  $V_{\text{cell 1}}$  (Pin 15) = 3.5V,  $C_{\text{dly}}$  (Pin 4) = 1000 pF,  $T_A = 25^\circ\text{C}$ )

Characteristic	Symbol	Min	Typ	Max	Unit
----------------	--------	-----	-----	-----	------

## CELL VOLTAGE BALANCING

Internal Balancing MOSFET On-Resistance	$R_{\text{DS(on)}}$				$\Omega$
Balance 3, (Pin 19)		–	100	–	
Balance 1, Balance 2 (Pin 20, 14)		–	50	–	

## CURRENT SENSING

High-Side Discharge Current Limit (Pin 16 to Pin 8)	$V_{\text{th(HSdschg)}}$				
Threshold Voltage					
$R_{\text{pin 11}} = 1.0 \text{ M}\Omega$		200	280	350	mV
$R_{\text{pin 11}} = 2.0 \text{ M}\Omega$		100	170	200	mV
Delay	$t_{\text{dly(HSdschg)}}$				
Overcurrent Detect ( $V_{\text{sense}} = 250 \text{ mV}$ )		3.0		6.0	ms
Short Circuit Detect ( $V_{\text{sense}} = 1.0 \text{ V}$ )		0.5		2.5	ms
Low-Side Discharge Current Limit (Pin 13 to Pin 5)	$V_{\text{th(LSdschg)}}$				
Threshold Voltage		48	50	58	mV
Delay					
Overcurrent Detect ( $V_{\text{sense}} = 50 \text{ mV}$ )	$t_{\text{dly(LSdschg)}}$	3.0		6.0	ms
Short Circuit Detect ( $V_{\text{sense}} = 200 \text{ mV}$ )		0.3		0.4	ms

## LOGIC

Charge and Discharge Inhibit Inputs (Pin 1, 2)	$V_{\text{th(inhbt)}}$				V
Threshold Voltage		–	$V_C/2$	–	
Propagation Delay to Respective Gate Drive Output	$t_{\text{PL/H}}$	–	100	–	$\mu\text{s}$
Undervoltage Fault Output (Pin 10)					
Low State Sink Resistance		–	100	–	$\Omega$
Off State Leakage Current ( $V_{\text{drain}} = 16\text{V}$ )		–	100	–	nA
Detection Delay Time Before Discharge MOSFET Turn Off		–	16	–	s
Charge and Discharge Gate Drive Outputs (Pin 9, 7)	$R_{\text{DS(source)}}$				$\Omega$
High State Source Resistance		–	100	–	
Low State Sink Resistance		$R_{\text{DS(sink)}}$	–	100	–

## TOTAL DEVICE

Average Cell Current	$I_{\text{CC}}$				
Operating ( $V_{\text{CC}} = 12 \text{ V}$ )		–	15	20	$\mu\text{A}$
Sleepmode ( $V_{\text{CC}} = 6.0 \text{ V}$ )		–	5.0	50	nA
Minimum Operating Cell Voltage	$V_{\text{CC}}$				V
Cell 1 Voltage		1.5	1.8	–	
Cell 2, or Cell 3 Voltage		0.7	0.8	–	

**NOTE:** 1. Maximum package power dissipation limits must be observed.  
 2. Tested ambient temperature range for the MC33351A:  
 $T_{\text{low}} = -25^\circ\text{C}$        $T_{\text{high}} = +85^\circ\text{C}$

Figure 3. Over Voltage Threshold versus Temperature

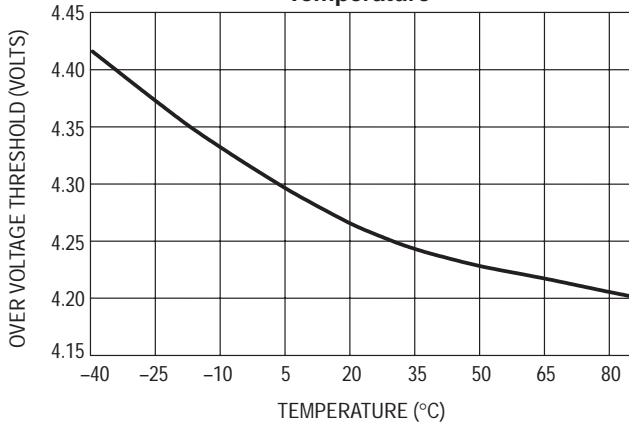


Figure 4. Charge ON Voltage Threshold versus Temperature

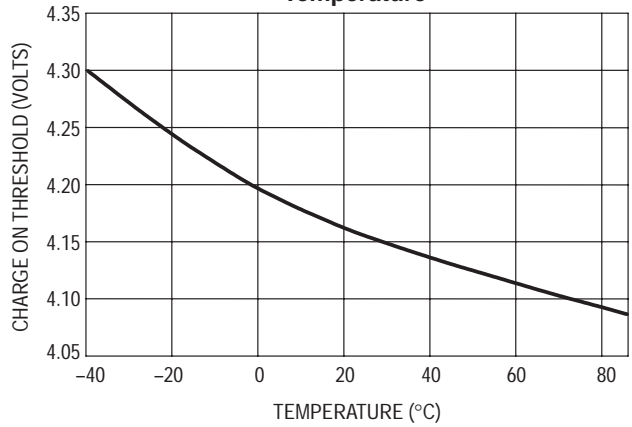


Figure 5. Undervoltage Threshold versus Temperature

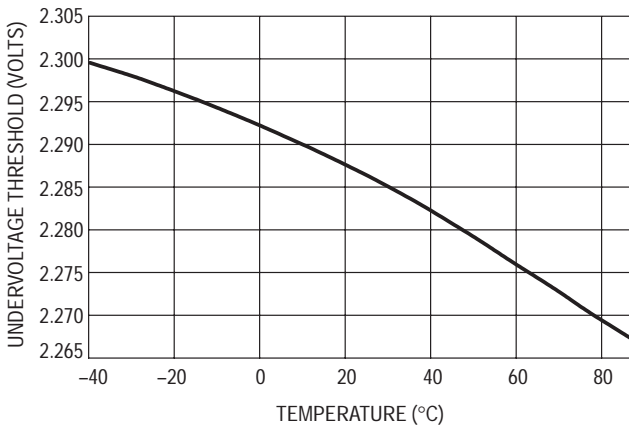


Figure 6. Discharge Current (Low Side) versus Temperature

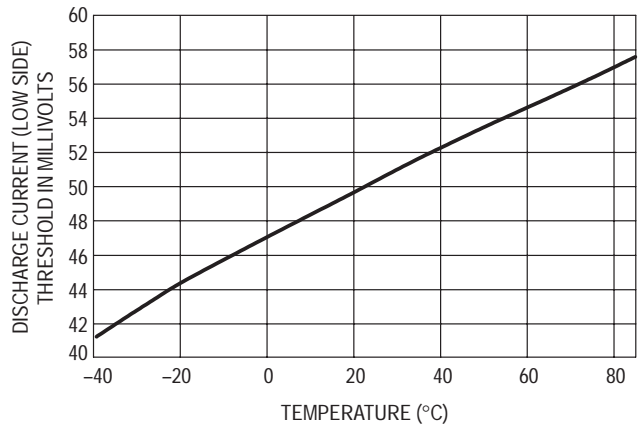


Figure 7. Discharge Current (High Side) Threshold versus Temperature (R11 = 1.5 mOhms)

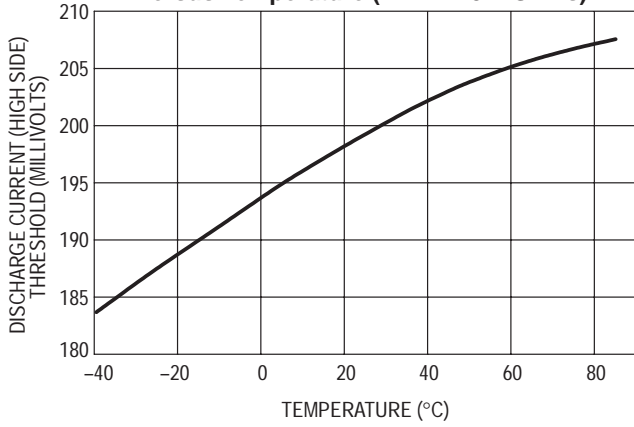


Figure 8. Discharge Current (High Side) versus Resistance

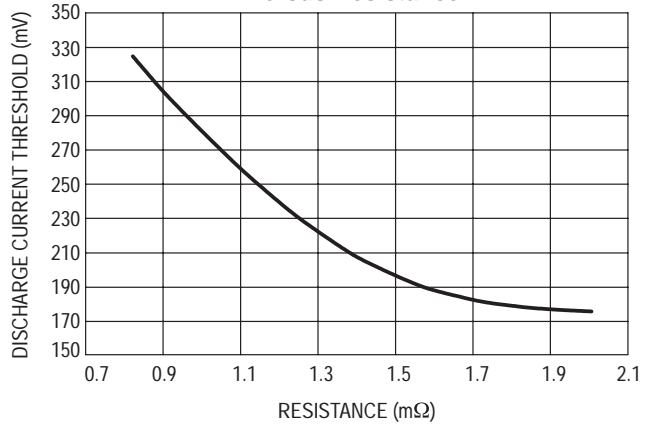


Figure 9. V<sub>CC</sub> versus I<sub>EE</sub> (No Load)

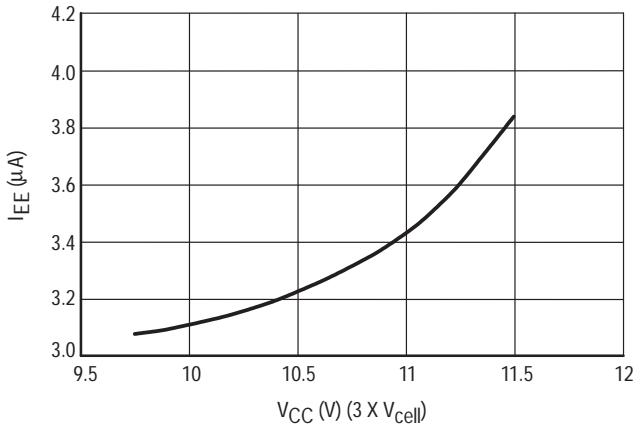
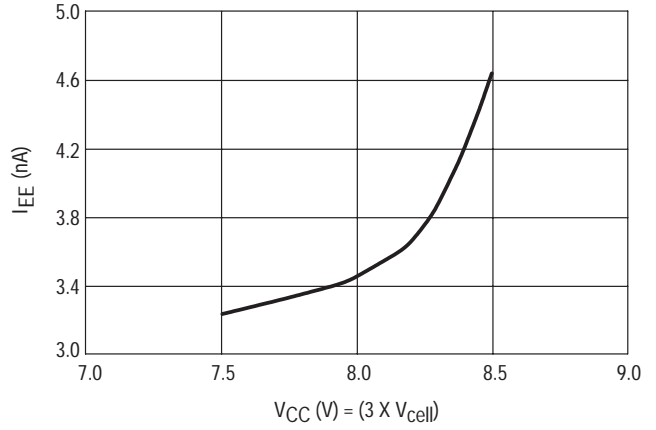


Figure 10. V<sub>CC</sub> versus I<sub>EE</sub> (Sleep-Mode)



# MC33351A

## PIN FUNCTION DESCRIPTION

Pin No.	Function	Description
1	Charge Inhibit Input	A logic low level at this input will disable battery pack charging. A 10 k internal pull-up resistor connects from this pin to $V_C$ .
2	Discharge Inhibit Input	A logic low level at this input will disable battery pack discharging. A 10 k internal pull-up resistor connects from this pin to $V_C$ .
3	Overvoltage Shutdown Delay	This input controls the required number of cell overvoltage events that must be detected before charge switch Q1 is turned off. With a logic level low at this input, charge switch Q1 turns off after a single overvoltage event is detected. With a logic level high, charge switch Q1 turns off after two successive overvoltage events are detected.
4	Discharge Current Limit Shutdown Delay	A capacitor connects from this pin to ground and is used to program a time delay from when the discharge current limit is exceeded to when discharge switch Q2 is turned off.
5	Low-Side Discharge Current Limit Input	This pin is used to monitor the load induced voltage drop that appears across current sensing resistor $R_{lim(LS)}$ . This voltage drop is sensed by pins 13 and 5.
6	Charge Interrupt Mode Select	The logic level that is applied to this input determines if the charge current will be interrupted during the cell voltage sampling period. The charge current is interrupted when this input is connected to $V_C$ , and not interrupted when connected to ground, pin 13.
7	Discharge Gate Drive Output	This output connects to the gate of discharge switch Q2 allowing it to enable or disable battery pack discharging.
8	Charge and Discharge Gate Drive Common	This pin provides a gate turn-off path for charge switch Q1. The charge switch source and the battery pack positive terminal connect to this point.
9	Charge Gate Drive Output	This output connects to the gate of charge switch Q1 allowing it to enable or disable battery pack charging. Also, connecting this pin to 3.0V above $V_C$ the internal logic is held in reset state and both MOSFET switches are turned on.
10	Undervoltage Fault Output	This is an open drain output that is active low when an undervoltage fault limit has been exceeded. Discharge switch Q2 will turn off 16 seconds after the Fault goes low.
11	High-Side Discharge Current Limit Threshold	A resistor connects from this pin to ground and is used to program the high-side discharge current limit threshold. The programmed threshold voltage is sensed by pins 16 and 8.
12	Cell 2	This pin connects to a high impedance node of the Cell Selector where it is used to monitor the positive terminal of Cell 2 and the negative terminal of Cell 3.
13	Ground	This is the protection IC ground and all voltage ratings are with respect to this pin.
14	Balance 2	This pin is used if cell balancing is desired. It connects to the drain of an internal N-channel MOSFET and is active low during the balancing of Cell 2.
15	Cell 1/ $V_C$	This is a multi-function pin that connects to a high impedance node of the Cell Selector where it is used to monitor the positive terminal of Cell 1 and the negative terminal of Cell 2. This pin also provides bias for the internal logic.
16	$V_{CC}$ /High-Side Discharge Current Limit	This is a multi-function pin that connects to a high impedance node of the Cell Selector where it is used to monitor the positive terminal of Cell 3 and to provide positive supply voltage for the protection IC. This pin can also be used for high-side discharge current limit protection by monitoring the load induced voltage drop that appears across the on-resistance of switches Q2 and diode of Q1. This voltage drop is sensed by pins 16 and 8.
17	NC	No Connection
18	Cell 3	This pin connects to a high impedance node of the Cell Selector where it is used to monitor the positive terminal of Cell 3 and $V_{CC}$ .
19	Balance 3	This pin is used if cell balancing is desired. It connects to the drain of an internal P-channel MOSFET and is active high during the balancing of Cell 3.
20	Balance 1	This pin is used if cell balancing is desired. It connects to the drain of an internal N-channel MOSFET and is active low during the balancing of Cell 1.



# MC33351A

## PROTECTION CIRCUIT OPERATING MODE TABLE

Input Conditions Cell Status	Circuit Operation Battery Pack Status	Outputs		
		MOSFET Switches (Note 1)		Cell Balancing
		Charge Q1	Discharge Q2	Balancing Outputs
<b>CELL CHARGING/DISCHARGING</b>				
Storage or Nominal Operation: No current or voltage faults	Both Charge MOSFET Q1 and Discharge MOSFET Q2 are on. The battery pack is available for charging or discharging.	On	On	Active
<b>CELL CHARGING FAULT/RESET</b>				
Charge Voltage Limit Fault: $V_{Cell} \geq V_{th(OV)}$ for $t_{dly(OV)}$ $t_{dly(OV)} =$ 0 to 1.2 s, Pin 3 to 13 1.0 to 2.1 s, Pin 3 to 15	Charge MOSFET Q1 is latched off and the cells are disconnected from the charging source. An internal hysteresis voltage is generated when the overvoltage cell is sensed. The shutdown delay is programmable for either one or two successive overvoltage events by the state of Pin 3. The battery pack is available for discharging.	On to Off	On	Active
Charge Voltage Limit Reset: $V_{Cell} < (V_{th(OV)} - V_H)$ for 1.2 s	Charge MOSFET Q1 will turn on when the voltage across the overvoltage cell falls sufficiently to overcome the internal hysteresis voltage. This can be accomplished by applying a load to the battery pack.	Off to On	On	Active
<b>CELL DISCHARGING FAULT/RESET</b>				
Discharge Current Limit Fault: $V_{Pin\ 16} \geq (V_{Pin\ 8} + V_{th(HS\ dschg)})$ for $t_{dly(HS\ dschg)}$ or $V_{Pin\ 5} \geq (V_{Pin\ 13} + V_{th(LS\ dschg)})$ for $t_{dly(LS\ dschg)}$	Discharge MOSFET Q2 is latched off and the cells are disconnected from the load. Q2 will remain in the off state as long as $V_{Pin\ 16}$ exceeds $V_{Pin\ 8}$ by $\approx V_{TH(HSdschrg)}$ . A discharge current limit fault can be activated by either high-side or a low-side current sensing methods. The battery pack is available for charging.	On	On to Off	Active
Discharge Current Limit Reset: $V_{Pin\ 16} - V_{Pin\ 8} < V_{TH(HSdschrg)}$ $V_{Pin\ 5} - V_{Pin\ 13} < V_{TH(LSdschrg)}$	The Sense Enable circuit will reset and turn on discharge MOSFET Q2 when $V_{Pin\ 16}$ no longer exceeds $V_{Pin\ 8}$ by 2.0 V. This can be accomplished by either disconnecting the load from the battery pack, or by connecting the battery pack to the charger.	On	Off to On	Active
Discharge Voltage Limit Fault: $V_{Cell} \leq V_{th(UV)}$ for 2.1 s	Undervoltage Fault Output (Pin 10) is driven low after two successive undervoltage events are detected. After a 16 second delay, discharge MOSFET Q2 is latched off, the cells are disconnected from the load, and the protection circuit enters a low current sleepmode state. The battery pack is available for charging.	On	On to Off after 16 s (Note 2)	Disabled
Discharge Voltage Limit Reset: $V_{Pin\ 8} > (V_{Pin\ 16} + 0.6\ V)$	The Sense Enable circuit will reset and turn on discharge MOSFET Q2 when $V_{Pin\ 8}$ exceeds $V_{Pin\ 16}$ by 0.6 V. This can be accomplished by connecting the battery pack to the charger.	On	Off to On	Active
<b>FAULTY CELL</b>				
Simultaneous Charge and Discharge Voltage Limit Faults	This condition can happen if there is a defective cell in the battery pack. The protection circuit will remain in the sleepmode state until the battery pack is connected to a charger. If Cell 2, or 3 is faulty and a charger is connected, the protection circuit will cycle in and out of sleepmode. If Cell 1 is faulty (<1.5 V) the protection circuit logic will not function and the battery pack cannot be charged.	Cycles Cell 1 Good Disabled Cell 1 Faulty	Cycles Cell 1 Good Disabled Cell 1 Faulty	Cycles Cell 1 Good Disabled Cell 1 Faulty

**NOTE:** 1. Charge switch Q1 and discharge switch Q2 can be selectively turned off via the appropriate inhibit input except during the sleepmode state.  
2. The 16 s delay time can be reduced by strobing the Discharge Inhibit input low immediately after the Undervoltage Fault Output goes low.

## OPERATING DESCRIPTION

## INTRODUCTION

The demand for smaller lightweight portable electronic equipment has dramatically increased the requirements of battery performance. Today's most attractive chemistries include lithium-polymer, lithium-ion, and lithium-metal. Each of these chemistries require electronic protection in order to constrain cell operation to within the manufacturers limits.

Rechargeable lithium-based cells require precise charge and discharge termination limits for both voltage and current in order to maximize cell capacity, cycle life, and to protect the end user from a catastrophic event.

The MC33351A features internally-fixed cell voltage limits, programmable cell voltage balancing, low operating current, a virtually zero current sleepmode state, and requires few external components.

## OPERATING DESCRIPTION

The MC33351A is specifically designed to be placed in the battery pack where it can be continuously powered from three lithium cells. In order to maintain cell operation within specified limits, the protection circuit senses both cell voltage and discharge current, and correspondingly controls the state of two P-channel MOSFET switches. These switches, Q1 and Q2, are placed within the series path of the positive terminal of cell 3 and the positive terminal of the battery pack. For lowside current limit sense, a resistor is placed within the series path of the negative terminal of Cell 1 and the negative terminal of the battery pack. This configuration allows the protection circuit to interrupt the appropriate charge or discharge path FET in the event that a programmed voltage or current limit for any cell has been exceeded.

A functional description of the protection circuit blocks follows. Refer to the detailed block diagram shown in Figure 1.

## Voltage Sensing

Individual cell voltage sensing is accomplished by the use of the Cell Selector in conjunction with the Floating Over/Under Voltage Detector and Reference block. The Cell Selector applies the voltage of each cell across an internal resistor divider string. The voltage at each of the tap points is sequentially polled and compared to an internal reference. If a limit has been exceeded, the result is stored in the Over/Under Data Latch and Control Logic block. The Cell Selector is gated on for a 4.0 ms period at a fixed one second repetition rate. This low duty cycle sampling technique reduces the average load current that the divider presents across each cell, thus extending the useful battery pack capacity.

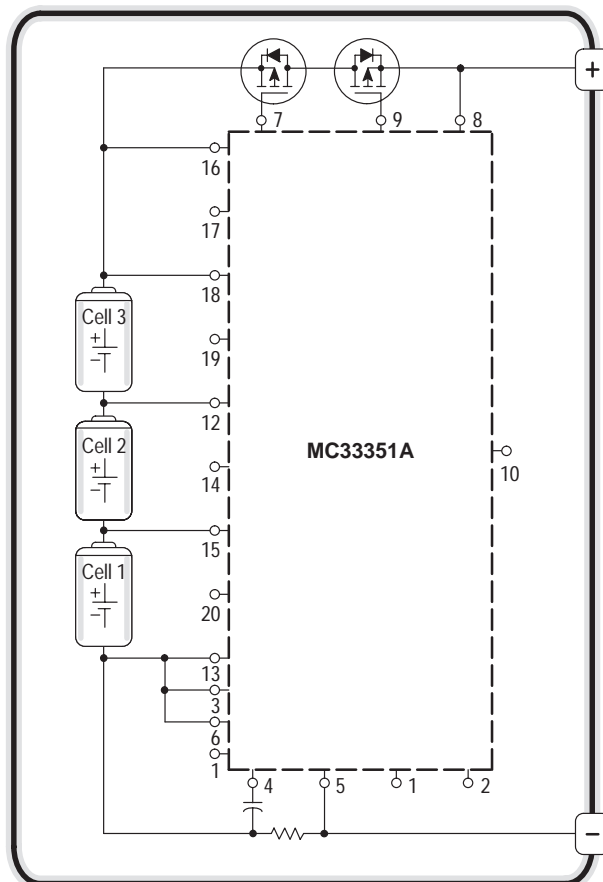


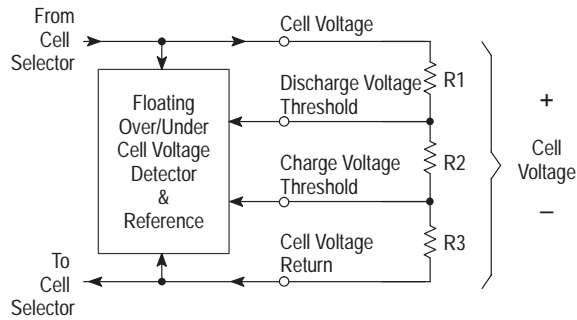
Figure 11. Simplified Smart Battery Pack

## Cell Sensing Sequence

Polling Sequence	Time (ms)	Cell Sensed	Tested Limit
1	0.25	Cell 1	Overvoltage
2	0.25	Cell 2	Overvoltage
3	0.25	Cell 3	Overvoltage
4	0.25	Cell 1	Undervoltage
5	0.25	Cell 2	Undervoltage
6	0.25	Cell 3	Undervoltage

By incorporating this polling technique with a single floating comparator and voltage divider, a significant reduction of circuitry and trim elements is achieved. This results in a smaller die size, lower cost, and reduced operating current.

**Figure 12. Cell Voltage Limit Sampling vs. Programming**



The cell charge and discharge voltage limits are controlled by the values selected for the internal resistor divider string. As the battery pack reaches full charge, the Cell Voltage Detector will sense an overvoltage fault condition on the first cell that exceeds the pre-set overvoltage limit. The fault information is stored in a data latch and charge MOSFET Q1 is turned off, disconnecting the battery pack from the charging source. An internal current source pull-up is then applied to the lower tap of the divider when the overvoltage cell is again sensed. This creates an input hysteresis voltage with divider resistors R1 and R2. As a result of an overvoltage fault, the battery pack is available for discharging only.

The overvoltage fault is reset by applying a load to the battery pack. As the voltage across the highest voltage cell falls below the hysteresis level, charge MOSFET Q1 will turn on and the current source pull-up will turn off. The battery pack will now be available for charging or discharging.

As the load eventually depletes the battery pack charge, the Cell Voltage Detector will sense an undervoltage fault condition on the first cell that falls below the designed undervoltage limit. After an undervoltage cell is detected, discharge MOSFET Q2 is turned off, disconnecting the battery pack from the load. The protection circuit will now enter a low current sleepmode state drawing less than 15.0 nA typically, thus preventing any further cell discharging. As a result of the undervoltage fault, the battery pack is available for charging only.

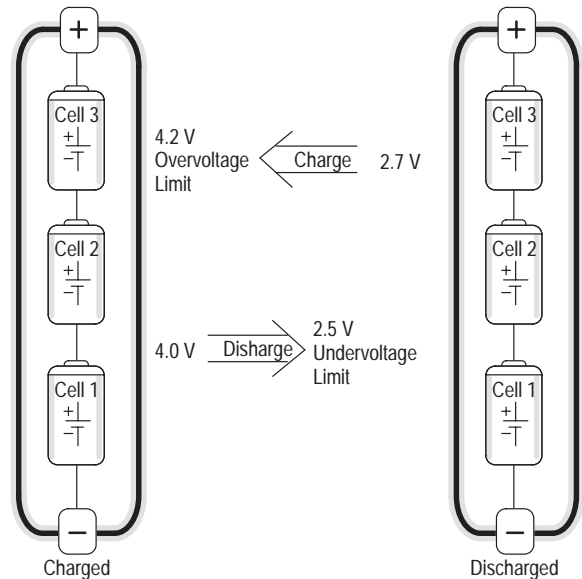
The undervoltage fault is reset by applying charge current to the battery pack. When the voltage on Pin 8 exceeds Pin 16 by 0.6 V, discharge MOSFET Q2 will be turned on. The battery pack will now be available for charging or discharging.

### Cell Voltage Balancing

With series connected cells, successive charge and discharge cycles can result in a significant difference in cell voltage with a corresponding degradation of battery pack capacity. Figure 13 illustrates the operation of an unbalanced three cell pack. As the cells become unbalanced, the full battery pack capacity is not realized. This is due to the requirement that charging must terminate when the highest voltage cell reaches the overvoltage limit, and

discharging must terminate when the lowest voltage cell reaches the undervoltage limit. By employing a method of keeping the cell voltages equal, each of the cells can be charged and discharged to their specified limits, thus attaining the maximum possible capacity.

**Figure 13. Unbalanced Battery Pack Operation**



The MC33351A contains a Cell Voltage Balancing Logic circuit that controls three internal MOSFETs. These MOSFETs are connected to an external transistor and resistor combination across the individual cells. The circuit samples the voltage of each cell during the polling period. If all of the cells are below the programmed overvoltage fault limit, no cell balancing takes place. If one or more cells reach the overvoltage fault limit, a specific latch is set for each cell. At the end of the polling period, charge MOSFET Q1 is turned off and the latches are interrogated. If all of the latches were set, no cell balancing takes place. If one, two, or three latches were set, the required cell balancing MOSFETs are then activated. The overvoltage cells are discharged to the pre-set level. As each cell attains this level, the balancing MOSFETs successively turn off. Upon completion of cell balancing, charge MOSFET Q1 is turned on. Cell voltage balancing can be active during charging and discharging, but is disabled during the low current sleepmode state.

### Test Mode

A test option is provided to speed up device and battery pack testing. By connecting Pin 9 to 3.0 V above  $V_C$  the internal logic is held in a reset state and both MOSFET switches are turned on. Upon release, the Control Logic becomes active and the cell are polled within 4.0 ms.

### Discharge Current Sensing

Discharge current limit protection can be selectively added to the battery pack with the addition of a sense resistor  $R_{lim}(dschg)$  on the Low-Side or by monitoring the voltage drop across the series FETs on the High-Side.

### Sense resistor – low–side

The sense resistor  $R_{Lim(dschg)}$  is placed in series with the negative terminal of Cell 1 and the negative terminal of the battery pack, Refer to Figure 1.

As the battery pack discharges, Pins 5 and 13 sense the voltage drop across  $R_{Lim(dschg)}$ .

A discharge current limit fault is detected if the voltage at Pin 5 is greater than Pin 13 by **50 mV for more than 3.0 ms**. The fault information is stored in a data latch and discharge MOSFET Q2 is turned off, disconnecting the battery pack from the load. As a result of the discharge current fault, the battery pack is available for charging only. The discharge current limit is given by:

$$I_{Lim(dschg)} = \frac{V_{th(dschg)}}{R_{Lim(dschg)}} = \frac{50 \text{ mV}}{R_{Lim(dschg)}}$$

### Voltage across FETs – high–side

A  $1\text{M}\Omega$  or  $2\text{M}\Omega$  resistor connected from pin# 11 to ground is used to program the high–side discharge current limit threshold.

The discharge current fault is reset by either disconnecting the load from the battery pack, or by connecting the battery pack to the charger. When the voltage on Pin 16 no longer exceeds Pin 8 by approximately 2.0 V, the Sense Enable circuit will turn on discharge MOSFET Q2. Discharge current sensing can be disabled by connecting Pin 16 to Pin 8.

***Upon assembly of the battery pack, it is imperative that Cell 1 be connected first so that  $V_C$  is properly biased. The remaining cells can then be connected in any order. This assembly method prevents forward biasing the protection IC substrate which can result in overheating and non–functionality.***

The discharge current protection *circuit contains a built in response delay of 3.0 ms. This helps to prevent fault activation when the battery pack is subjected to pulsed currents during charging or discharging.*

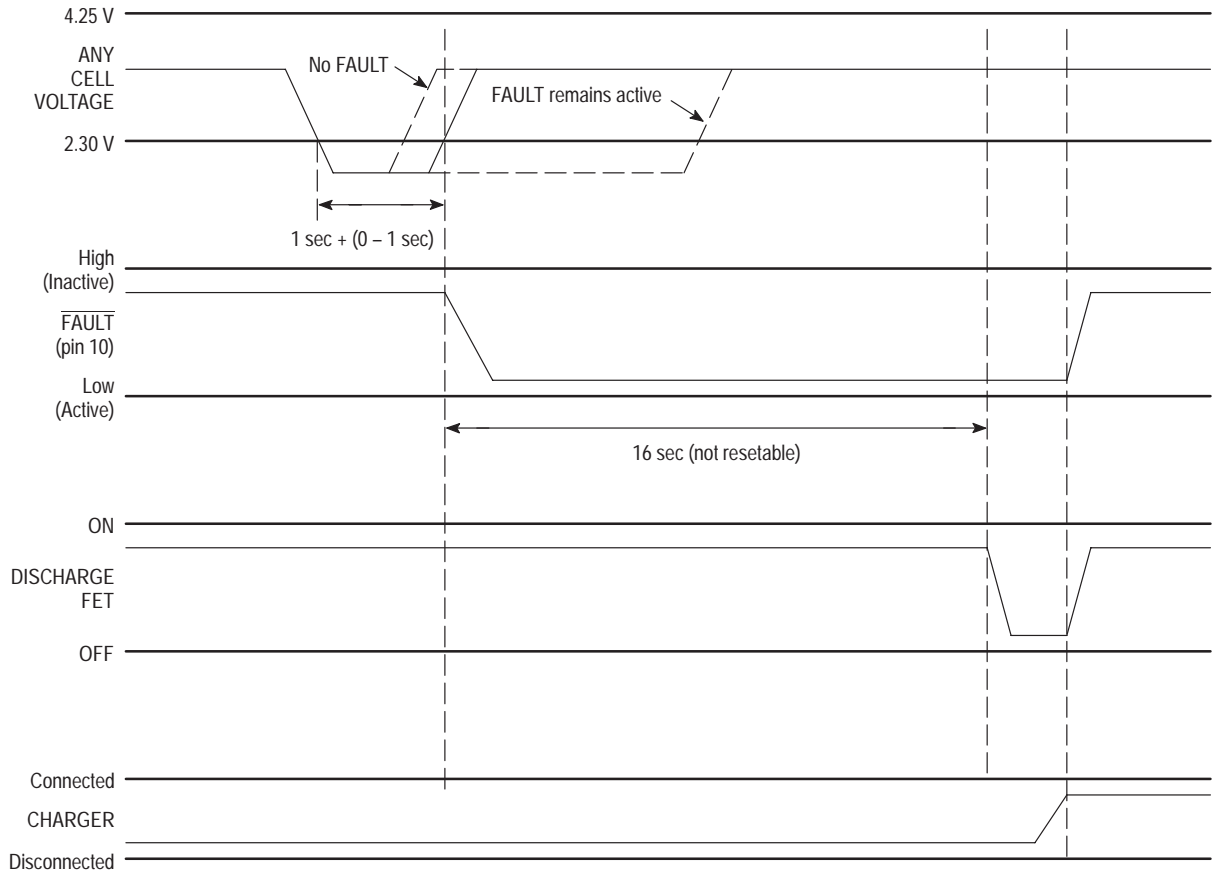
### Battery Pack Application

Each of the application figures show a capacitor labeled  $C_1$  that connects directly across the battery pack terminals, and two resistors labeled  $R_g$  that are placed in series with the charge and discharge gate drive outputs. These components prevent excessive currents from flowing into the MC33351A when the battery pack terminals are shorted or arced and are **mandatory**. Capacitor  $C_1$  is a **1.0  $\mu\text{F}$   $\pm 20\%$  ceramic leaded or surface mount type**. It must be placed directly across the battery pack plus and minus terminals with extremely short lead lengths ( $\leq 1/16''$ ) and as close to the IC as possible. The gate drive output resistors for both Q1 and Q2 are **10  $k\Omega$   $\pm 5.0\%$  carbon film type**.

In applications where inordinately low leakage MOSFETs are used, the protection circuit may take several seconds to reset from an overcurrent fault after the load is removed. If desired, this situation can be remedied by providing a small leakage path for charging  $C_1$ , thus allowing Pin 8 to rapidly rise, so that it no longer exceeds Pin 16 by approximately 2.0 V. A  $4.7 \text{ M}\Omega$  resistor placed across the MOSFET switches accomplishes this task with a minimum increase in cell discharge current when the battery pack is connected to the load.

# MC33351A

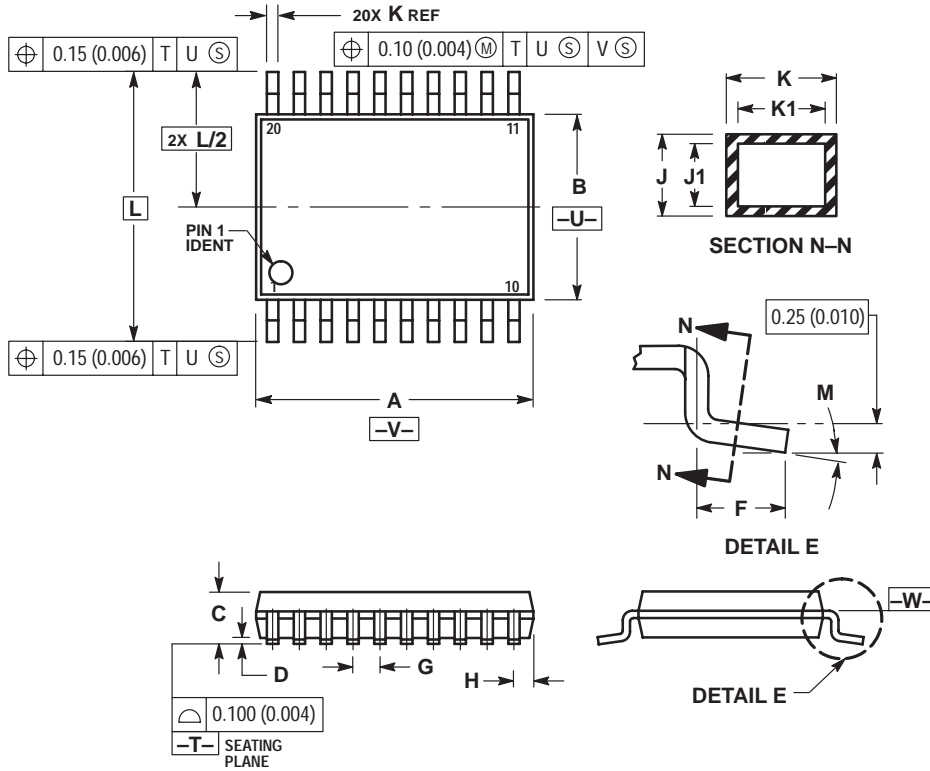
## MC33351A – Cell Voltage versus Undervoltage Fault



# MC33351A

## PACKAGE DIMENSIONS

TSSOP-20  
DTB SUFFIX  
PLASTIC PACKAGE  
CASE 948E-02  
ISSUE A




NOTES:

1. DIMENSIONING AND TOLERANCING PER ANSI Y14.5M, 1982.
2. CONTROLLING DIMENSION: MILLIMETER.
3. DIMENSION A DOES NOT INCLUDE MOLD FLASH, PROTRUSIONS OR GATE BURRS. MOLD FLASH OR GATE BURRS SHALL NOT EXCEED 0.15 (0.006) PER SIDE.
4. DIMENSION B DOES NOT INCLUDE INTERLEAD FLASH OR PROTRUSION. INTERLEAD FLASH OR PROTRUSION SHALL NOT EXCEED 0.25 (0.010) PER SIDE.
5. DIMENSION K DOES NOT INCLUDE DAMBAR PROTRUSION. ALLOWABLE DAMBAR PROTRUSION SHALL BE 0.08 (0.003) TOTAL IN EXCESS OF THE K DIMENSION AT MAXIMUM MATERIAL CONDITION.
6. TERMINAL NUMBERS ARE SHOWN FOR REFERENCE ONLY.
7. DIMENSION A AND B ARE TO BE DETERMINED AT DATUM PLANE -W-.

DIM	MILLIMETERS		INCHES	
	MIN	MAX	MIN	MAX
A	6.40	6.60	0.252	0.260
B	4.30	4.50	0.169	0.177
C	---	1.20	---	0.047
D	0.05	0.15	0.002	0.006
F	0.50	0.75	0.020	0.030
G	0.65 BSC		0.026 BSC	
H	0.27	0.37	0.011	0.015
J	0.09	0.20	0.004	0.008
J1	0.09	0.16	0.004	0.006
K	0.19	0.30	0.007	0.012
K1	0.19	0.25	0.007	0.010
L	6.40 BSC		0.252 BSC	
M	0°	8°	0°	8°

**Notes**

**ON Semiconductor** and  are trademarks of Semiconductor Components Industries, LLC (SCILLC). SCILLC reserves the right to make changes without further notice to any products herein. SCILLC makes no warranty, representation or guarantee regarding the suitability of its products for any particular purpose, nor does SCILLC assume any liability arising out of the application or use of any product or circuit, and specifically disclaims any and all liability, including without limitation special, consequential or incidental damages. "Typical" parameters which may be provided in SCILLC data sheets and/or specifications can and do vary in different applications and actual performance may vary over time. All operating parameters, including "Typicals" must be validated for each customer application by customer's technical experts. SCILLC does not convey any license under its patent rights nor the rights of others. SCILLC products are not designed, intended, or authorized for use as components in systems intended for surgical implant into the body, or other applications intended to support or sustain life, or for any other application in which the failure of the SCILLC product could create a situation where personal injury or death may occur. Should Buyer purchase or use SCILLC products for any such unintended or unauthorized application, Buyer shall indemnify and hold SCILLC and its officers, employees, subsidiaries, affiliates, and distributors harmless against all claims, costs, damages, and expenses, and reasonable attorney fees arising out of, directly or indirectly, any claim of personal injury or death associated with such unintended or unauthorized use, even if such claim alleges that SCILLC was negligent regarding the design or manufacture of the part. SCILLC is an Equal Opportunity/Affirmative Action Employer.

## PUBLICATION ORDERING INFORMATION

### North America Literature Fulfillment:

Literature Distribution Center for ON Semiconductor  
P.O. Box 5163, Denver, Colorado 80217 USA  
**Phone:** 303-675-2175 or 800-344-3860 Toll Free USA/Canada  
**Fax:** 303-675-2176 or 800-344-3867 Toll Free USA/Canada  
**Email:** ONlit@hibbertco.com

**N. American Technical Support:** 800-282-9855 Toll Free USA/Canada

**EUROPE:** LDC for ON Semiconductor — European Support

**German Phone:** 303-308-7140 (Mon-Fri 2:30pm to 5:00pm Munich Time)  
**German Email:** ONlit-german@hibbertco.com  
**French Phone:** 303-308-7141 (Mon-Fri 2:30pm to 5:00pm Toulouse Time)  
**French Email:** ONlit-french@hibbertco.com  
**English Phone:** 303-308-7142 (Mon-Fri 1:30pm to 5:00pm UK Time)  
**English Email:** ONlit@hibbertco.com

**ASIA/PACIFIC:** LDC for ON Semiconductor — Asia Support

**Phone:** 303-675-2121 (Tue-Fri 9:00am to 1:00pm, Hong Kong Time)  
Toll Free from Hong Kong 800-4422-3781  
**Email:** ONlit-asia@hibbertco.com

**JAPAN:** ON Semiconductor, Japan Customer Focus Center  
4-32-1 Nishi-Gotanda, Shinagawa-ku, Tokyo, Japan 141-8549

**Phone:** 81-3-5487-8345  
**Email:** r14153@onsemi.com

**Fax Response Line:** 303-675-2167  
800-344-3810 Toll Free USA/Canada

**ON Semiconductor Website:** <http://onsemi.com>

For additional information, please contact your local Sales Representative.