

# MF1070S-1

FOR PAGER, Rx

MF1070S-1

## DESCRIPTION

This SAW filter for the receiving RF circuit of pager equipment operating at 928 MHz ~ 932 MHz.

## FEATURES

1. SMD package insures small size, lightweight.
2. Adjustment free.
3. Low insertion loss and high stop band attenuation.
4. Wide and sharp passband characteristics.
5. High stability and reliability.
6. Designed for reflow solderings.

## APPLICATION

- Pager

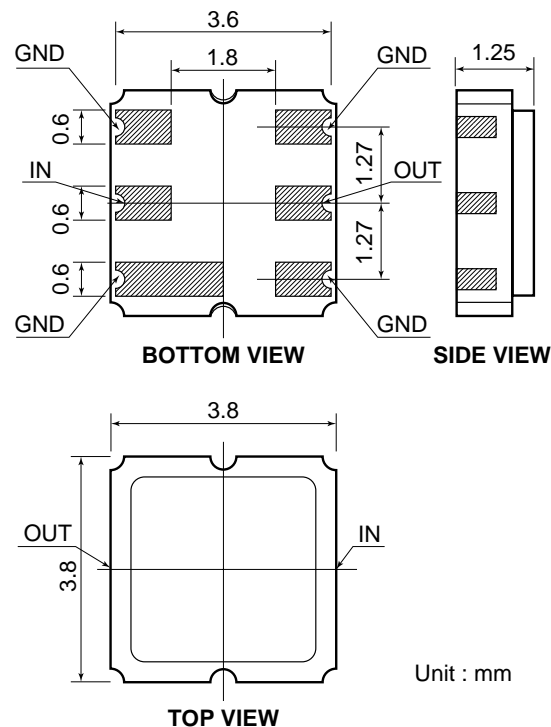
## MAXIMUM RATINGS

Rating	Value	Unit
Input Power	50	mW
Operating Temperature Range	-20 to 75	°C
Storage Temperature Range	-30 to 85	°C

## ELECTRICAL PERFORMANCE

Parameter	MF1070S-1			Units
	Min	Typ	Max	
PASSBAND FREQUENCY	928 – 932			MHz
PASSBAND CHARACTERISTICS				
Insertion Loss (@930 MHz)	3.4	4.5		dB
Insertion Loss (928 – 932 MHz)	3.7	4.5		dB
Ripple (928 – 932 MHz)	0.4	1.5		dBp-p
VSWR (928 – 932 MHz)	1.5	2.5		
STOPBAND ATTENUATION				
630.0 – 850.0 MHz	40	45		dB
850.0 – 910.7 MHz	30	38		dB
961.8 – 990.0 MHz	25	32		dB
990.0 – 1030.0 MHz	40	56		dB

## PACKAGE OUTLINE DIMENSIONS



DIMENSIONS ARE IN MILLIMETERS  
±0.2 UNLESS OTHERWISE SPECIFIED

## MF1070S-1 TYPICAL CHARACTERISTICS

