

# MF1073S-1

FOR PAGER, Rx

MF1073S-1

## DESCRIPTION

This SAW filter for the receiving RF circuit of pager equipment operating at 276 MHz ~ 284 MHz.

## FEATURES

1. SMD package insures small size, lightweight.
2. Adjustment free.
3. Low insertion loss and high stop band attenuation.
4. Wide and sharp passband characteristics.
5. High stability and reliability.
6. Designed for reflow solderings.

## APPLICATION

- Pager

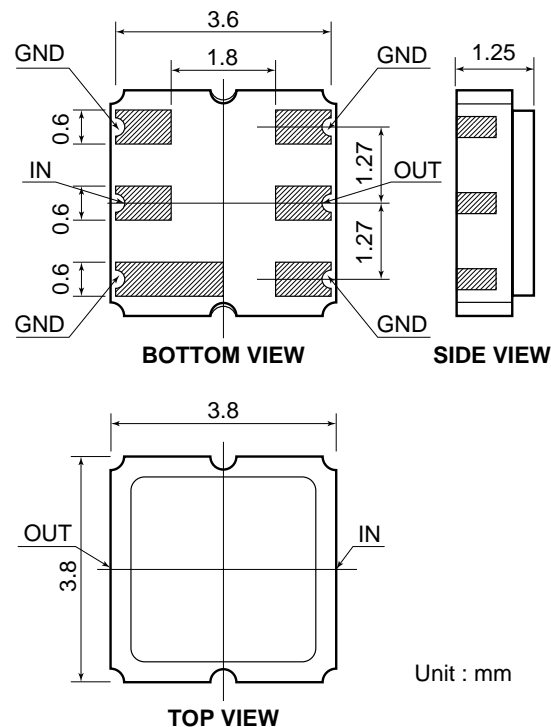
## MAXIMUM RATINGS

| Rating                      | Value     | Unit |
|-----------------------------|-----------|------|
| Input Power                 | 50        | mW   |
| Operating Temperature Range | -20 to 75 | °C   |
| Storage Temperature Range   | -30 to 85 | °C   |

## ELECTRICAL PERFORMANCE

| Parameter                      | MF1073S-1 |     |     | Units |
|--------------------------------|-----------|-----|-----|-------|
|                                | Min       | Typ | Max |       |
| PASSBAND FREQUENCY             | 276 – 284 |     |     | MHz   |
| PASSBAND CHARACTERISTICS       |           |     |     |       |
| Insertion Loss (@280 MHz)      |           | 1.4 | 3.5 | dB    |
| Insertion Loss (276 – 284 MHz) |           | 2.7 | 3.5 | dB    |
| Ripple (276 – 284 MHz)         |           | 1.2 | 2.0 | dBp-p |
| VSWR (276 – 284 MHz)           |           | 2.5 |     |       |
| STOPBAND ATTENUATION           |           |     |     |       |
| 180.0 – 220.0 MHz              | 50        | 53  |     | dB    |
| 220.0 – 239.7 MHz              | 35        | 39  |     | dB    |
| 320.3 – 380.0 MHz              | 50        | 54  |     | dB    |

## PACKAGE OUTLINE DIMENSIONS



DIMENSIONS ARE IN MILLIMETERS  
±0.2 UNLESS OTHERWISE SPECIFIED

## MF1073S-1 TYPICAL CHARACTERISTICS

