

DATA SHEET

TDA8574

**Class-H high-output voltage level
line driver**

Product specification
Supersedes data of 1997 Feb 26
File under Integrated Circuits, IC01

1998 Oct 16

Class-H high-output voltage level line driver

TDA8574

FEATURES

- Output voltage swing larger than supply voltage
- High supply voltage ripple rejection
- Low distortion
- Low noise
- ESD protected on all pins.

GENERAL DESCRIPTION

The TDA8574(T) is a two channel class-H high-output voltage line driver for use in car audio applications. The line driver behaves as a non-inverting amplifier with a gain of 8 dB and a single-ended output. Due to the class-H voltage lifting principle the voltage swing over the load is more than the supply voltage. With a supply voltage of 9 V the output voltage swing over the load will be 14 V (peak-to-peak).

The TDA8574 is available in a DIP16 package and the TDA8574T in a SO16 package.

Line drivers are necessary in car audio systems in which the power amplifiers are driven by long cables.

The signal-to-noise ratio of these car audio systems is improved by using the TDA8574(T) class-H high-output level line driver. The high-output level of TDA8574(T) enables a reduction of the gain of the power amplifier resulting in an improvement of the power amplifier performance.

QUICK REFERENCE DATA

SYMBOL	PARAMETER	CONDITIONS	MIN.	TYP.	MAX.	UNIT
V_{CC}	supply voltage		6	9	12	V
I_{CC}	supply current	$V_{CC} = 9\text{ V}$	–	8	13	mA
G_v	voltage gain		7.5	8	8.5	dB
$V_{o(rms)}$	maximal output voltage (RMS value)	THD = 0.1%	5.0	5.2	–	V
SVRR	supply voltage ripple rejection		50	65	–	dB
THD	total harmonic distortion	$V_{o(rms)} = 3\text{ V}; f = 1\text{ kHz}$	–	0.003	–	%
V_{no}	noise output voltage		–	5	–	μV
$ Z_o $	output impedance		–	–	10	Ω

ORDERING INFORMATION

TYPE NUMBER	PACKAGE		
	NAME	DESCRIPTION	VERSION
TDA8574T	SO16	plastic small outline package; 16 leads; body width 7.5 mm	SOT162-1
TDA8574	DIP16	plastic dual in-line package; 16 leads (300 mil)	SOT38-4

Class-H high-output voltage level line driver

TDA8574

BLOCK DIAGRAM

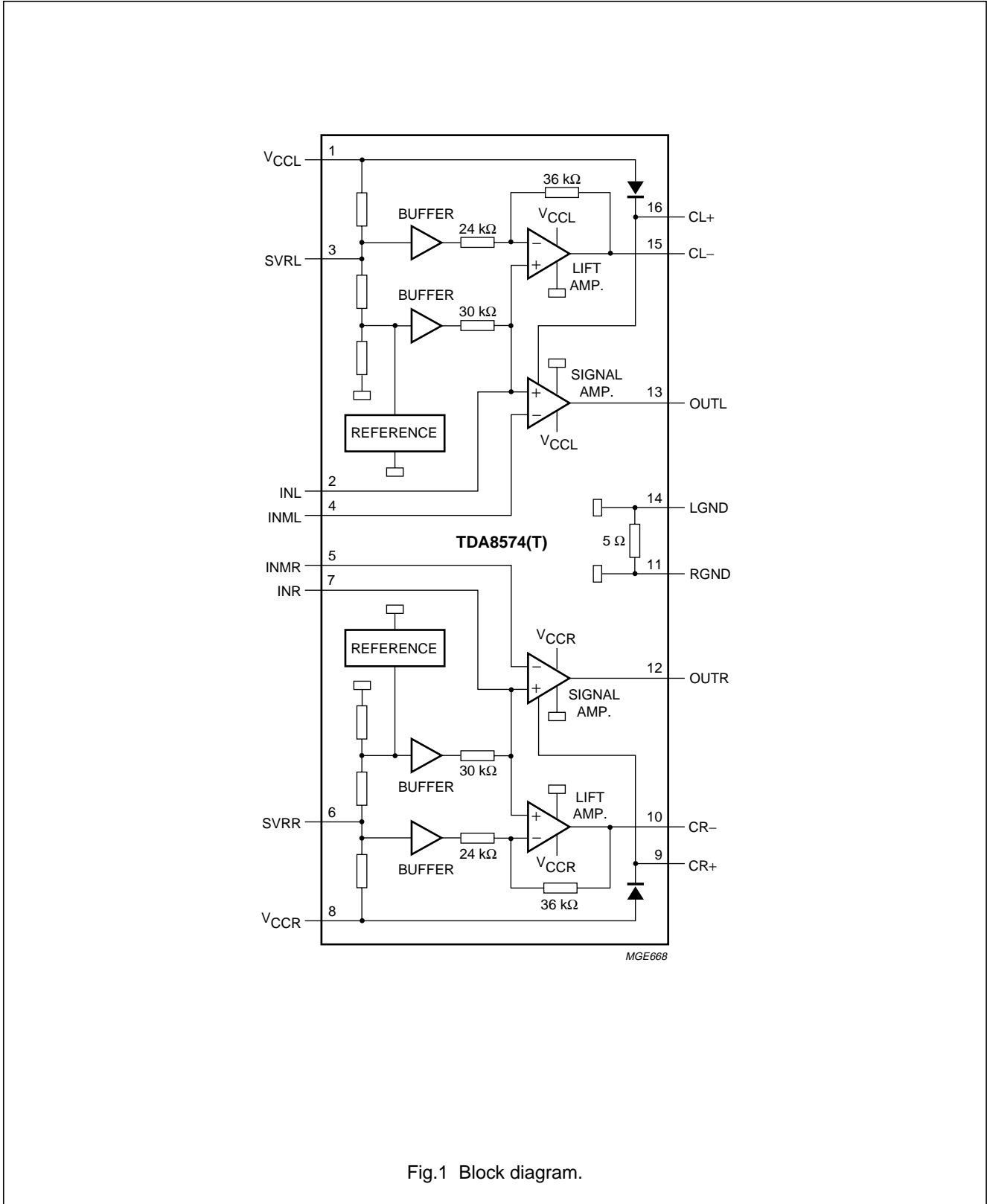


Fig.1 Block diagram.

Class-H high-output voltage level line driver

TDA8574

PINNING

SYMBOL	PIN	DESCRIPTION
V _{CCL}	1	supply voltage left channel
INL	2	input voltage left channel
SVRL	3	SVRR left channel
INML	4	inverting input left channel
INMR	5	inverting input right channel
SVRR	6	SVRR right channel
INR	7	input voltage right channel
V _{CCR}	8	supply voltage right channel
CR+	9	lift capacitor (+) right channel
CR-	10	lift capacitor (-) right channel
RGND	11	ground right channel
OUTR	12	output voltage right channel
OUTL	13	output voltage left channel
LGND	14	ground left channel
CL-	15	lift capacitor (-) left channel
CL+	16	lift capacitor (+) left channel

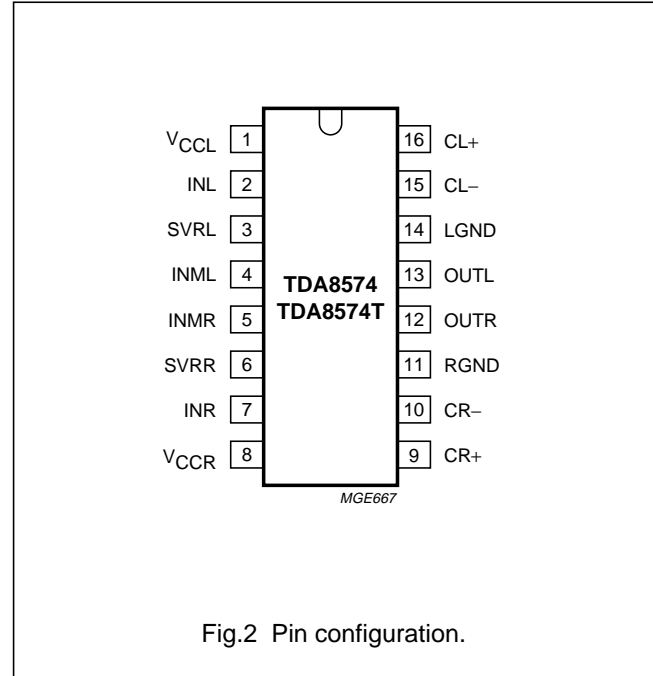


Fig.2 Pin configuration.

FUNCTIONAL DESCRIPTION

Lift amplifier

The lift amplifier, referred to as LIFT AMP. in Fig.1, is used as a non-inverting amplifier with a voltage gain of 8 dB set by an internal feedback network. If the output voltage of the signal amplifier is low, the external lift capacitor is recharged by the lift amplifier. As soon as the output voltage of the signal amplifier increases above $0.87 \times V_{CC}$ the lift amplifier switches the voltage of the lift capacitor in series with the supply voltage V_{CC} . The voltage at the positive side of the lift capacitor is referred to as lifted supply voltage.

Signal amplifier

The signal amplifier, referred to as SIGNAL AMP. in Fig.1, is used as a non-inverting amplifier. The voltage gain G_v is set by the feedback resistors according to the formula:

$$G_v = 1 + \frac{R_2}{R_1}$$

and should be set to 8 dB. The LIFT AMP. and SIG AMP. must have equal voltage gain G_v . The rail-to-rail output stage of the signal amplifier uses the lifted supply voltage to increase the output voltage swing.

The DC output level is set to $\approx 0.87 \times V_{CC}$. The maximum peak-to-peak output voltage of the signal amplifier is calculated with the formula:

$$V_{o(p-p)max} \approx 2 \times (0.87V_{CC} - 0.4)$$

Buffers

The buffers prevent loading of the internal voltage divider network made by a series connection of resistors. For a good supply voltage ripple rejection this internal voltage divider network has to be decoupled by an external capacitor.

Reference

This circuit supplies all currents needed in the device.

Class-H high-output voltage level line driver

TDA8574

LIMITING VALUES

In accordance with the Absolute Maximum Rating System (IEC 134).

SYMBOL	PARAMETER	CONDITIONS	MIN.	MAX.	UNIT
V_{CC}	supply voltage	operating	–	12	V
I_{ORM}	repetitive peak output current		–	20	mA
T_{stg}	storage temperature		–55	+150	°C
T_{amb}	operating ambient temperature		–40	+85	°C
T_j	junction temperature		–	+150	°C

THERMAL CHARACTERISTICS

SYMBOL	PARAMETER	VALUE	UNIT
$R_{th\ j-a}$	thermal resistance from junction to ambient in free air		
	TDA8574 (DIP16)	75	K/W
	TDA8574T (SO16)	110	K/W

Class-H high-output voltage level line driver

TDA8574

DC CHARACTERISTICS

$V_{CC} = 9\text{ V}$; $T_{amb} = 25\text{ }^{\circ}\text{C}$; $R_L = 10\text{ k}\Omega$; in accordance with application diagram (see Fig.3).

SYMBOL	PARAMETER	CONDITIONS	MIN.	TYP.	MAX.	UNIT
V_{CC}	supply voltage	$V_{in} = 0\text{ V}$	6	9	12	V
I_{CC}	supply current		–	8	13	mA
V_O	DC output voltage	note 1	–	7.8	–	V

Note

- The DC output voltage with respect to ground is $\approx 0.87 \times V_{CC}$.

AC CHARACTERISTICS

$V_{CC} = 9\text{ V}$; $f = 1\text{ kHz}$; $R_L = 10\text{ k}\Omega$; $T_{amb} = 25\text{ }^{\circ}\text{C}$; in accordance with test circuit (see Fig.3); note 1.

SYMBOL	PARAMETER	CONDITIONS	MIN.	TYP.	MAX.	UNIT
G_V	voltage gain		7.5	8	8.5	dB
$ \Delta G_V $	channel unbalance		–	–	0.5	dB
α_{CS}	channel separation	$R_S = 600\text{ }\Omega$; $V_{O(rms)} = 1\text{ V}$; note 1	80	90	–	dB
f_{lr}	low frequency roll-off	–1 dB; note 2	–	–	5	Hz
f_{hr}	high frequency roll-off	–1 dB	20	–	–	kHz
$ Z_i $	input impedance		22	30	38	k Ω
$ Z_o $	output impedance		–	–	10	Ω
$V_{O(max)(rms)}$	maximum output voltage (RMS value)	THD + N = 0.1%	5.0	5.2	–	V
V_{no}	noise output voltage	unweighted; note 3	–	7	9	μV
		A-weighted; note 4	–	5	–	μV
THD + N	total harmonic distortion plus noise	$f = 1\text{ kHz}$; $V_O = 3\text{ V (RMS)}$; note 5	–	0.003	0.01	%
		$f = 17\text{ Hz to } 20\text{ kHz}$; note 6	–	0.01	–	%
SVRR	supply voltage ripple rejection	note 7	50	65	–	dB
		$f = 20\text{ Hz to } 20\text{ kHz}$; note 8	–	55	–	dB

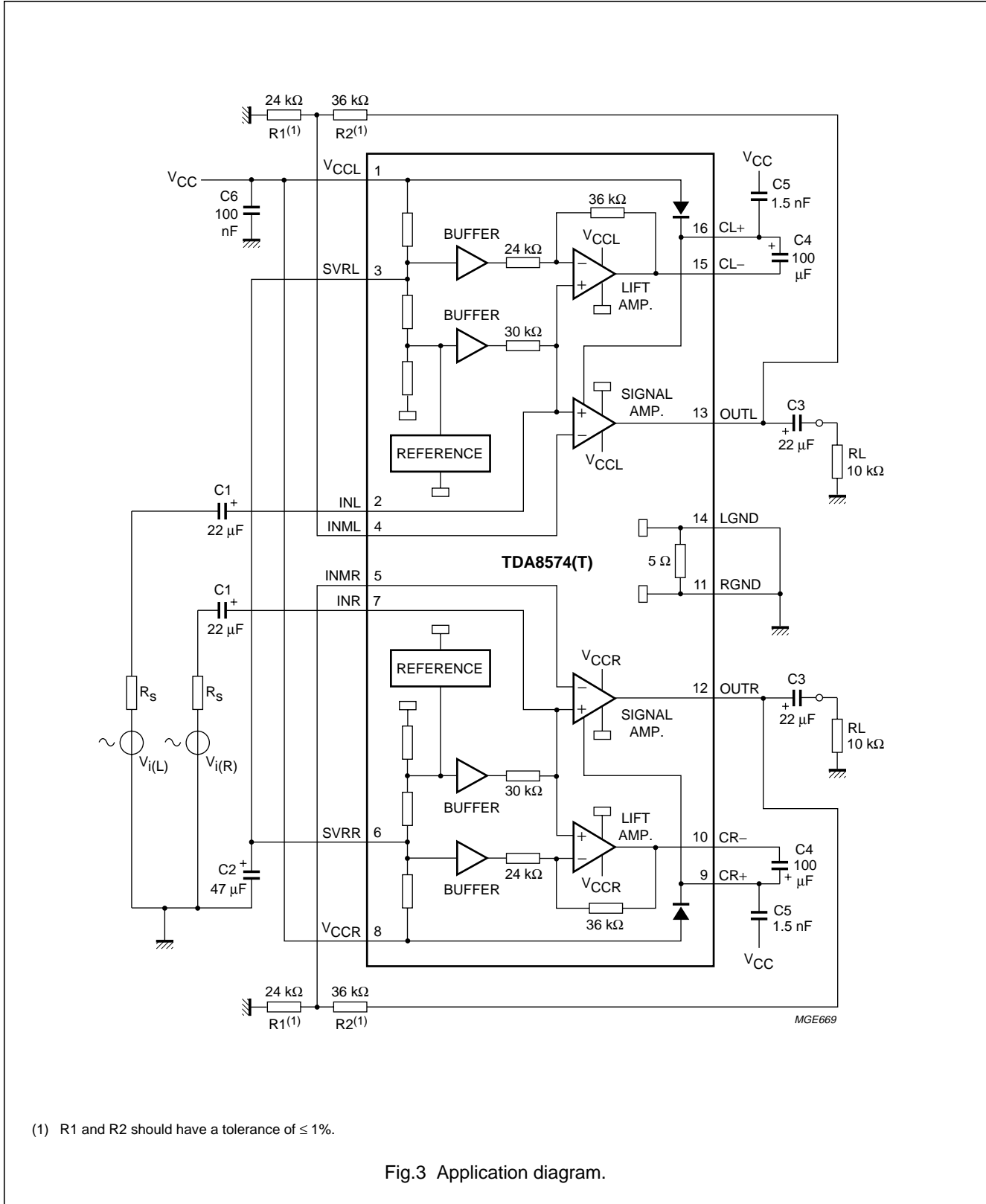
Notes

- The channel separation is determined by the parasitic capacitance between the inverting input left channel (pin 4) and the inverting input right channel (pin 5). The PCB layout has a major contribution to the parasitic capacitance. To obtain best results, the PCB tracks to pin 4 and pin 5 should be separated as much as possible.
- The frequency response is externally fixed by the input coupling capacitors.
- Noise output voltage is measured in a bandwidth of 20 Hz to 20 kHz with a source resistor $R_S = 600\text{ }\Omega$.
- Noise output voltage is measured in a bandwidth of 20 Hz to 20 kHz with an A-weighted filter with a source resistor $R_S = 600\text{ }\Omega$.
- Distortion is measured at a frequency of 1 kHz using an A-weighted filter.
- Distortion is measured at an output voltage of 3.0 V (RMS) at frequencies between 17 Hz and 20 kHz.
- Ripple rejection is measured at the output, using a source resistor $R_S = 600\text{ }\Omega$ and a ripple amplitude of 100 mV (RMS) at a frequency of 1 kHz.
- Ripple rejection is measured at the output, using a source resistor $R_S = 600\text{ }\Omega$ and a ripple amplitude of 100 mV (RMS) at frequencies between 20 Hz and 20 kHz.

Class-H high-output voltage level line driver

TDA8574

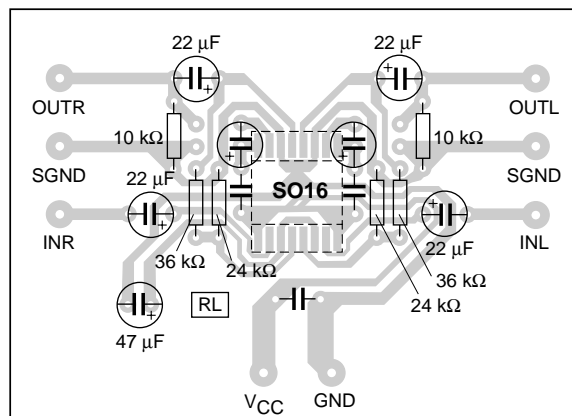
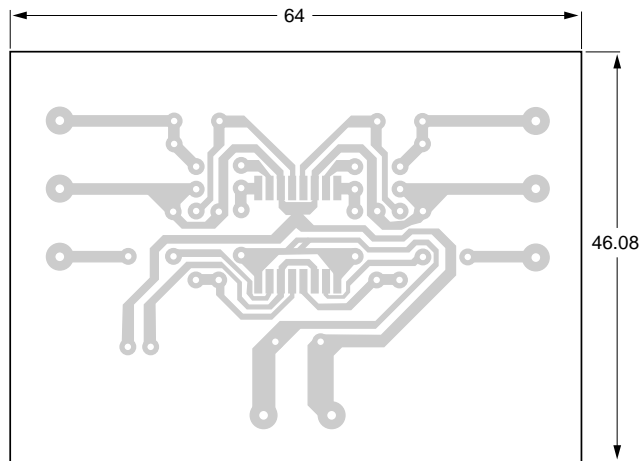
APPLICATION INFORMATION



Class-H high-output voltage level line driver

TDA8574

Printed-Circuit Board (PCB) layout



MBH883

Dimensions in mm.
 IC mounted on track side, additional components mounted on component side.
 Tracks viewed from component side.

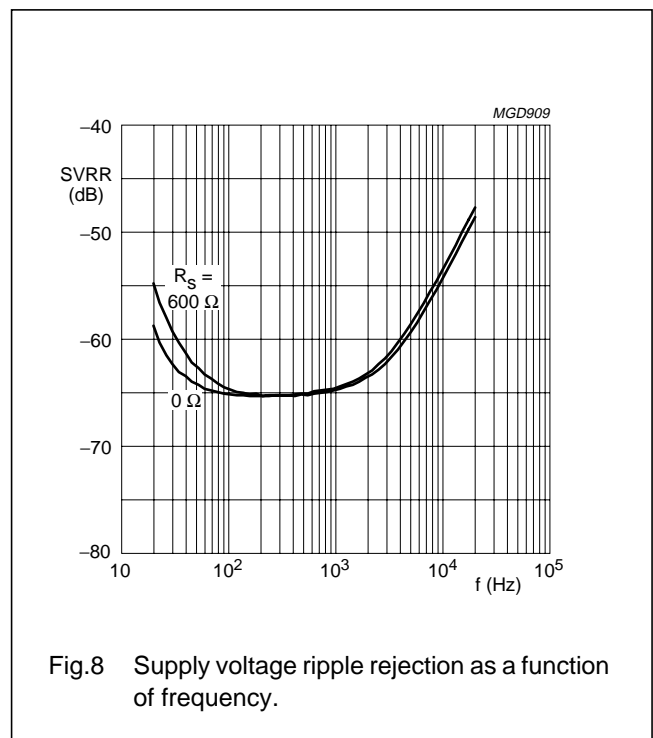
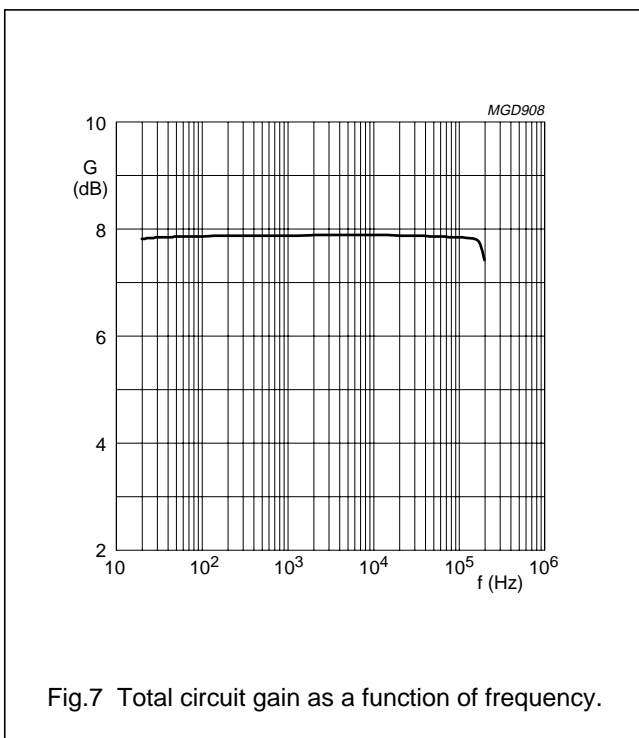
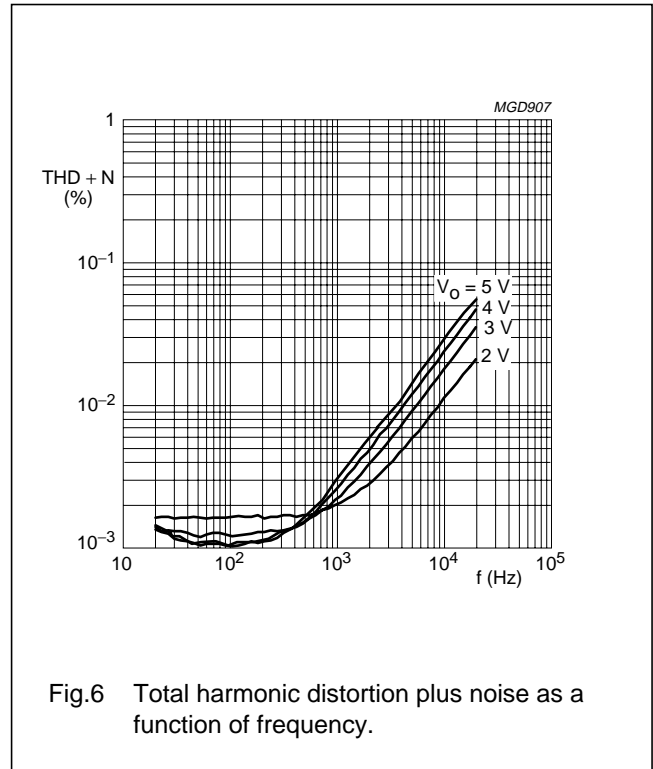
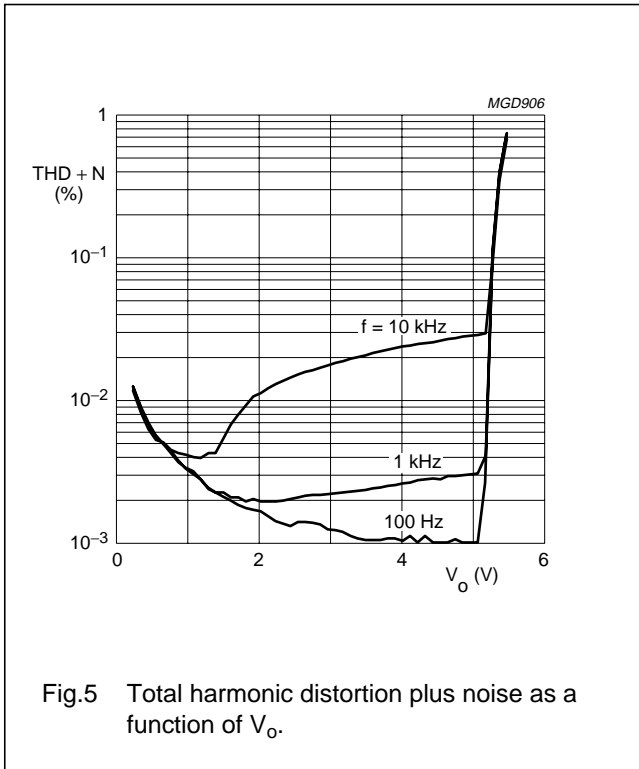
Fig.4 Recommended PCB-layout.

Class-H high-output voltage level line driver

TDA8574

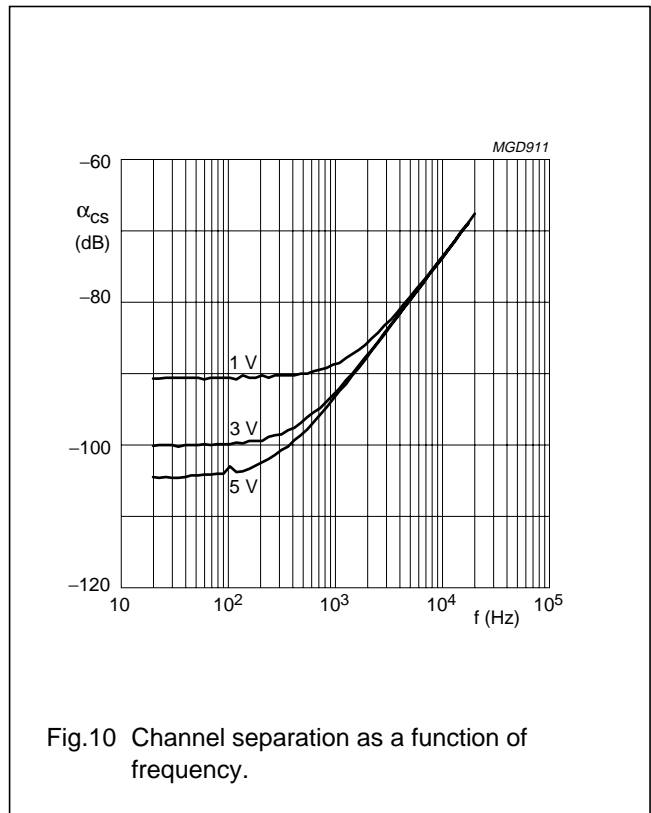
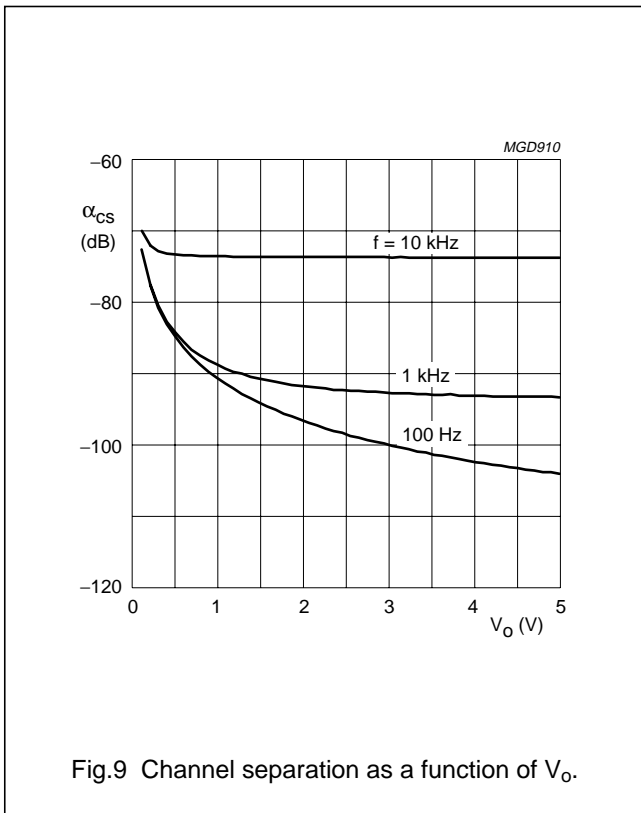
Application characteristics

$V_{CC} = 9\text{ V}$; $R_I = 10\text{ k}\Omega$; $T_{amb} = 25\text{ }^\circ\text{C}$; 80 kHz filter.



Class-H high-output voltage level line driver

TDA8574



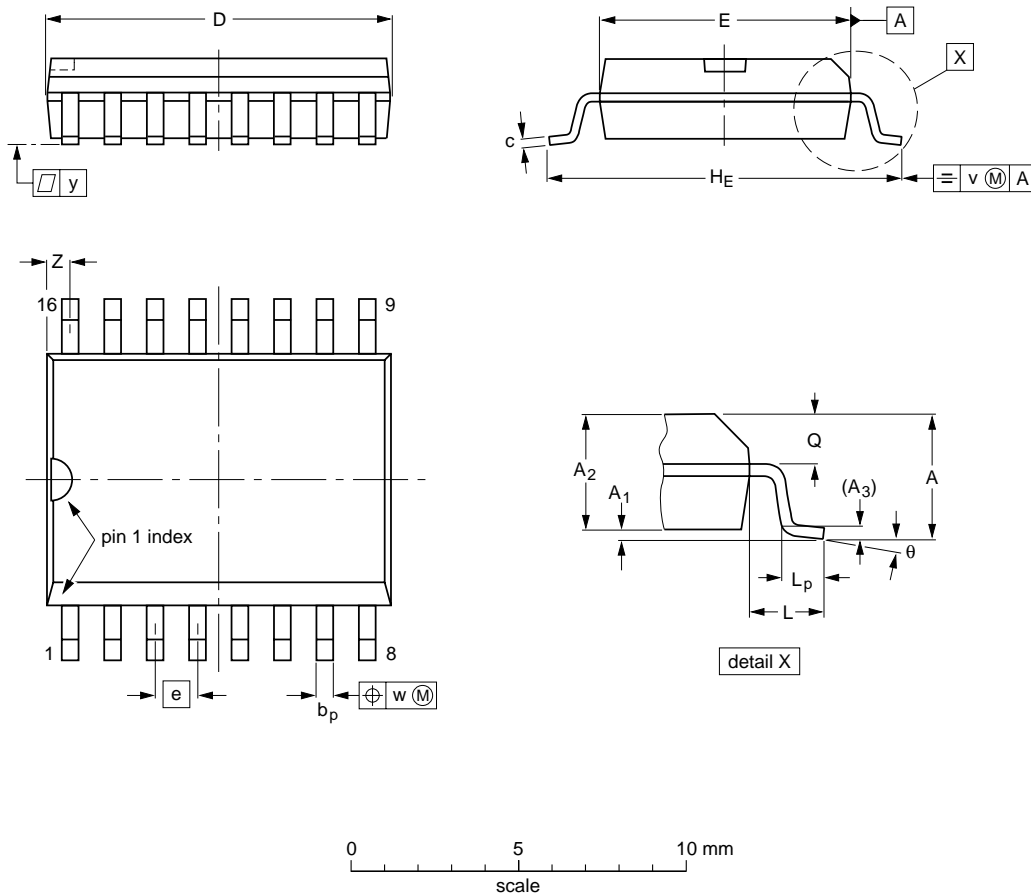
Class-H high-output voltage level line driver

TDA8574

PACKAGE OUTLINES

SO16: plastic small outline package; 16 leads; body width 7.5 mm

SOT162-1



DIMENSIONS (inch dimensions are derived from the original mm dimensions)

UNIT	A max.	A ₁	A ₂	A ₃	b _p	c	D ⁽¹⁾	E ⁽¹⁾	e	H _E	L	L _p	Q	v	w	y	z ⁽¹⁾	θ
mm	2.65	0.30 0.10	2.45 2.25	0.25	0.49 0.36	0.32 0.23	10.5 10.1	7.6 7.4	1.27	10.65 10.00	1.4	1.1 0.4	1.1 1.0	0.25	0.25	0.1	0.9 0.4	8° 0°
inches	0.10	0.012 0.004	0.096 0.089	0.01	0.019 0.014	0.013 0.009	0.41 0.40	0.30 0.29	0.050	0.419 0.394	0.055	0.043 0.016	0.043 0.039	0.01	0.01	0.004	0.035 0.016	

Note

1. Plastic or metal protrusions of 0.15 mm maximum per side are not included.

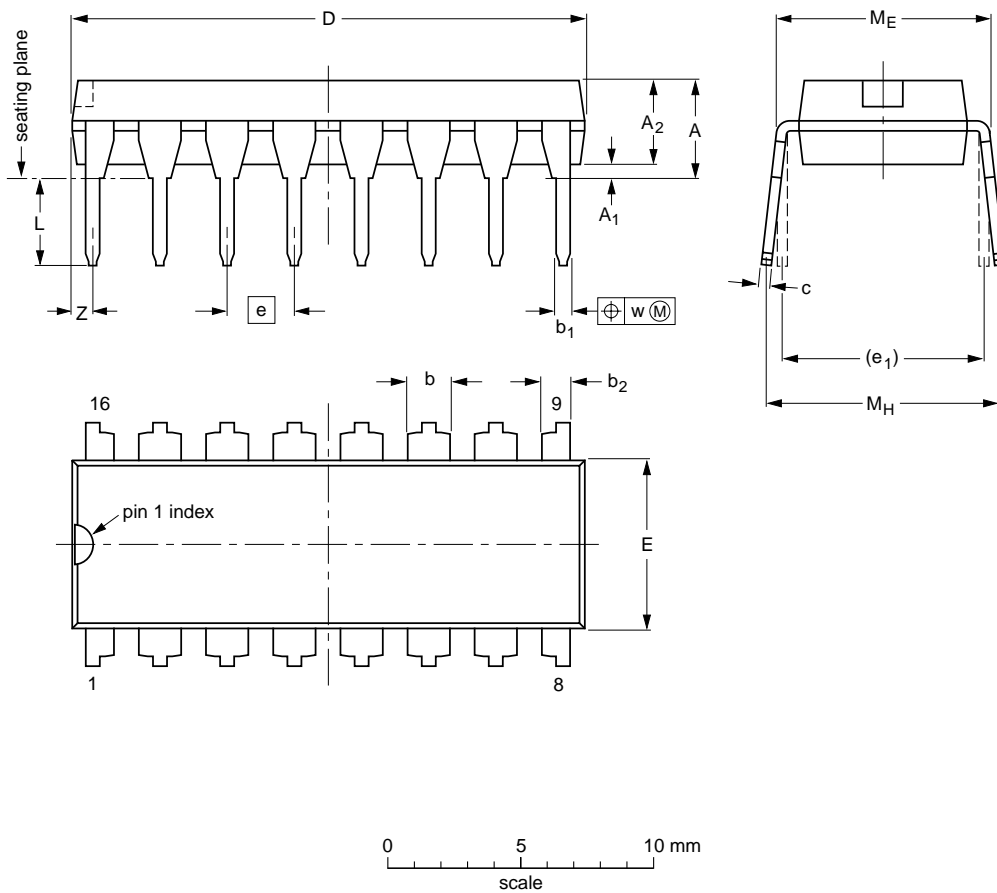
OUTLINE VERSION	REFERENCES				EUROPEAN PROJECTION	ISSUE DATE
	IEC	JEDEC	EIAJ			
SOT162-1	075E03	MS-013AA				95-01-24 97-05-22

Class-H high-output voltage level line driver

TDA8574

DIP16: plastic dual in-line package; 16 leads (300 mil)

SOT38-4



DIMENSIONS (inch dimensions are derived from the original mm dimensions)

UNIT	A max.	A ₁ min.	A ₂ max.	b	b ₁	b ₂	c	D ⁽¹⁾	E ⁽¹⁾	e	e ₁	L	M _E	M _H	w	Z ⁽¹⁾ max.
mm	4.2	0.51	3.2	1.73 1.30	0.53 0.38	1.25 0.85	0.36 0.23	19.50 18.55	6.48 6.20	2.54	7.62	3.60 3.05	8.25 7.80	10.0 8.3	0.254	0.76
inches	0.17	0.020	0.13	0.068 0.051	0.021 0.015	0.049 0.033	0.014 0.009	0.77 0.73	0.26 0.24	0.10	0.30	0.14 0.12	0.32 0.31	0.39 0.33	0.01	0.030

Note

1. Plastic or metal protrusions of 0.25 mm maximum per side are not included.

OUTLINE VERSION	REFERENCES			EUROPEAN PROJECTION	ISSUE DATE
	IEC	JEDEC	EIAJ		
SOT38-4					92-11-17 95-01-14

Class-H high-output voltage level line driver

TDA8574

SOLDERING

Introduction

There is no soldering method that is ideal for all IC packages. Wave soldering is often preferred when through-hole and surface mounted components are mixed on one printed-circuit board. However, wave soldering is not always suitable for surface mounted ICs, or for printed-circuits with high population densities. In these situations reflow soldering is often used.

This text gives a very brief insight to a complex technology. A more in-depth account of soldering ICs can be found in our *"Data Handbook IC26; Integrated Circuit Packages"* (order code 9398 652 90011).

DIP

SOLDERING BY DIPPING OR BY WAVE

The maximum permissible temperature of the solder is 260 °C; solder at this temperature must not be in contact with the joint for more than 5 seconds. The total contact time of successive solder waves must not exceed 5 seconds.

The device may be mounted up to the seating plane, but the temperature of the plastic body must not exceed the specified maximum storage temperature ($T_{stg\ max}$). If the printed-circuit board has been pre-heated, forced cooling may be necessary immediately after soldering to keep the temperature within the permissible limit.

REPAIRING SOLDERED JOINTS

Apply a low voltage soldering iron (less than 24 V) to the lead(s) of the package, below the seating plane or not more than 2 mm above it. If the temperature of the soldering iron bit is less than 300 °C it may remain in contact for up to 10 seconds. If the bit temperature is between 300 and 400 °C, contact may be up to 5 seconds.

SO

REFLOW SOLDERING

Reflow soldering techniques are suitable for all SO packages.

Reflow soldering requires solder paste (a suspension of fine solder particles, flux and binding agent) to be applied to the printed-circuit board by screen printing, stencilling or pressure-syringe dispensing before package placement.

Several techniques exist for reflowing; for example, thermal conduction by heated belt. Dwell times vary between 50 and 300 seconds depending on heating method. Typical reflow temperatures range from 215 to 250 °C.

Preheating is necessary to dry the paste and evaporate the binding agent. Preheating duration: 45 minutes at 45 °C.

WAVE SOLDERING

Wave soldering techniques can be used for all SO packages if the following conditions are observed:

- A double-wave (a turbulent wave with high upward pressure followed by a smooth laminar wave) soldering technique should be used.
- The longitudinal axis of the package footprint must be parallel to the solder flow.
- The package footprint must incorporate solder thieves at the downstream end.

During placement and before soldering, the package must be fixed with a droplet of adhesive. The adhesive can be applied by screen printing, pin transfer or syringe dispensing. The package can be soldered after the adhesive is cured.

Maximum permissible solder temperature is 260 °C, and maximum duration of package immersion in solder is 10 seconds, if cooled to less than 150 °C within 6 seconds. Typical dwell time is 4 seconds at 250 °C.

A mildly-activated flux will eliminate the need for removal of corrosive residues in most applications.

REPAIRING SOLDERED JOINTS

Fix the component by first soldering two diagonally-opposite end leads. Use only a low voltage soldering iron (less than 24 V) applied to the flat part of the lead. Contact time must be limited to 10 seconds at up to 300 °C. When using a dedicated tool, all other leads can be soldered in one operation within 2 to 5 seconds between 270 and 320 °C.

Class-H high-output voltage level line driver

TDA8574

DEFINITIONS

Data sheet status	
Objective specification	This data sheet contains target or goal specifications for product development.
Preliminary specification	This data sheet contains preliminary data; supplementary data may be published later.
Product specification	This data sheet contains final product specifications.
Limiting values	
Limiting values given are in accordance with the Absolute Maximum Rating System (IEC 134). Stress above one or more of the limiting values may cause permanent damage to the device. These are stress ratings only and operation of the device at these or at any other conditions above those given in the Characteristics sections of the specification is not implied. Exposure to limiting values for extended periods may affect device reliability.	
Application information	
Where application information is given, it is advisory and does not form part of the specification.	

LIFE SUPPORT APPLICATIONS

These products are not designed for use in life support appliances, devices, or systems where malfunction of these products can reasonably be expected to result in personal injury. Philips customers using or selling these products for use in such applications do so at their own risk and agree to fully indemnify Philips for any damages resulting from such improper use or sale.

Class-H high-output voltage level line
driver

TDA8574

NOTES

Philips Semiconductors – a worldwide company

Argentina: see South America

Australia: 34 Waterloo Road, NORTH RYDE, NSW 2113, Tel. +61 2 9805 4455, Fax. +61 2 9805 4466

Austria: Computerstr. 6, A-1101 WIEN, P.O. Box 213, Tel. +43 160 1010, Fax. +43 160 101 1210

Belarus: Hotel Minsk Business Center, Bld. 3, r. 1211, Volodarski Str. 6, 220050 MINSK, Tel. +375 172 200 733, Fax. +375 172 200 773

Belgium: see The Netherlands

Brazil: see South America

Bulgaria: Philips Bulgaria Ltd., Energoproject, 15th floor, 51 James Bourchier Blvd., 1407 SOFIA, Tel. +359 2 689 211, Fax. +359 2 689 102

Canada: PHILIPS SEMICONDUCTORS/COMPONENTS, Tel. +1 800 234 7381

China/Hong Kong: 501 Hong Kong Industrial Technology Centre, 72 Tat Chee Avenue, Kowloon Tong, HONG KONG, Tel. +852 2319 7888, Fax. +852 2319 7700

Colombia: see South America

Czech Republic: see Austria

Denmark: Prags Boulevard 80, PB 1919, DK-2300 COPENHAGEN S, Tel. +45 32 88 2636, Fax. +45 31 57 0044

Finland: Sinikalliontie 3, FIN-02630 ESPOO, Tel. +358 9 615800, Fax. +358 9 61580920

France: 51 Rue Carnot, BP317, 92156 SURESNES Cedex, Tel. +33 1 40 99 6161, Fax. +33 1 40 99 6427

Germany: Hammerbrookstraße 69, D-20097 HAMBURG, Tel. +49 40 23 53 60, Fax. +49 40 23 536 300

Greece: No. 15, 25th March Street, GR 17778 TAVROS/ATHENS, Tel. +30 1 4894 339/239, Fax. +30 1 4814 240

Hungary: see Austria

India: Philips INDIA Ltd, Band Box Building, 2nd floor, 254-D, Dr. Annie Besant Road, Worli, MUMBAI 400 025, Tel. +91 22 493 8541, Fax. +91 22 493 0966

Indonesia: PT Philips Development Corporation, Semiconductors Division, Gedung Philips, Jl. Buncit Raya Kav.99-100, JAKARTA 12510, Tel. +62 21 794 0040 ext. 2501, Fax. +62 21 794 0080

Ireland: Newstead, Clonskeagh, DUBLIN 14, Tel. +353 1 7640 000, Fax. +353 1 7640 200

Israel: RAPAC Electronics, 7 Kehilat Saloniki St, PO Box 18053, TEL AVIV 61180, Tel. +972 3 645 0444, Fax. +972 3 649 1007

Italy: PHILIPS SEMICONDUCTORS, Piazza IV Novembre 3, 20124 MILANO, Tel. +39 2 6752 2531, Fax. +39 2 6752 2557

Japan: Philips Bldg 13-37, Kohnan 2-chome, Minato-ku, TOKYO 108-8507, Tel. +81 3 3740 5130, Fax. +81 3 3740 5077

Korea: Philips House, 260-199 Itaewon-dong, Yongsan-ku, SEOUL, Tel. +82 2 709 1412, Fax. +82 2 709 1415

Malaysia: No. 76 Jalan Universiti, 46200 PETALING JAYA, SELANGOR, Tel. +60 3 750 5214, Fax. +60 3 757 4880

Mexico: 5900 Gateway East, Suite 200, EL PASO, TEXAS 79905, Tel. +9-5 800 234 7381

Middle East: see Italy

Netherlands: Postbus 90050, 5600 PB EINDHOVEN, Bldg. VB, Tel. +31 40 27 82785, Fax. +31 40 27 88399

New Zealand: 2 Wagener Place, C.P.O. Box 1041, AUCKLAND, Tel. +64 9 849 4160, Fax. +64 9 849 7811

Norway: Box 1, Manglerud 0612, OSLO, Tel. +47 22 74 8000, Fax. +47 22 74 8341

Pakistan: see Singapore

Philippines: Philips Semiconductors Philippines Inc., 106 Valero St. Salcedo Village, P.O. Box 2108 MCC, MAKATI, Metro MANILA, Tel. +63 2 816 6380, Fax. +63 2 817 3474

Poland: Ul. Lukiska 10, PL 04-123 WARSZAWA, Tel. +48 22 612 2831, Fax. +48 22 612 2327

Portugal: see Spain

Romania: see Italy

Russia: Philips Russia, Ul. Usatcheva 35A, 119048 MOSCOW, Tel. +7 095 755 6918, Fax. +7 095 755 6919

Singapore: Lorong 1, Toa Payoh, SINGAPORE 319762, Tel. +65 350 2538, Fax. +65 251 6500

Slovakia: see Austria

Slovenia: see Italy

South Africa: S.A. PHILIPS Pty Ltd., 195-215 Main Road Martindale, 2092 JOHANNESBURG, P.O. Box 7430 Johannesburg 2000, Tel. +27 11 470 5911, Fax. +27 11 470 5494

South America: Al. Vicente Pinzon, 173, 6th floor, 04547-130 SÃO PAULO, SP, Brazil, Tel. +55 11 821 2333, Fax. +55 11 821 2382

Spain: Balmes 22, 08007 BARCELONA, Tel. +34 93 301 6312, Fax. +34 93 301 4107

Sweden: Kottbygatan 7, Akalla, S-16485 STOCKHOLM, Tel. +46 8 5985 2000, Fax. +46 8 5985 2745

Switzerland: Allmendstrasse 140, CH-8027 ZÜRICH, Tel. +41 1 488 2741 Fax. +41 1 488 3263

Taiwan: Philips Semiconductors, 6F, No. 96, Chien Kuo N. Rd., Sec. 1, TAIPEI, Taiwan Tel. +886 2 2134 2865, Fax. +886 2 2134 2874

Thailand: PHILIPS ELECTRONICS (THAILAND) Ltd., 209/2 Sanpavuth-Bangna Road Prakanong, BANGKOK 10260, Tel. +66 2 745 4090, Fax. +66 2 398 0793

Turkey: Talatpasa Cad. No. 5, 80640 GÜLTEPE/ISTANBUL, Tel. +90 212 279 2770, Fax. +90 212 282 6707

Ukraine: PHILIPS UKRAINE, 4 Patrice Lumumba str., Building B, Floor 7, 252042 KIEV, Tel. +380 44 264 2776, Fax. +380 44 268 0461

United Kingdom: Philips Semiconductors Ltd., 276 Bath Road, Hayes, MIDDLESEX UB3 5BX, Tel. +44 181 730 5000, Fax. +44 181 754 8421

United States: 811 East Arques Avenue, SUNNYVALE, CA 94088-3409, Tel. +1 800 234 7381

Uruguay: see South America

Vietnam: see Singapore

Yugoslavia: PHILIPS, Trg N. Pasica 5/v, 11000 BEOGRAD, Tel. +381 11 625 344, Fax. +381 11 635 777

For all other countries apply to: Philips Semiconductors, International Marketing & Sales Communications, Building BE-p, P.O. Box 218, 5600 MD EINDHOVEN, The Netherlands, Fax. +31 40 27 24825

Internet: <http://www.semiconductors.philips.com>

© Philips Electronics N.V. 1998

SCA60

All rights are reserved. Reproduction in whole or in part is prohibited without the prior written consent of the copyright owner.

The information presented in this document does not form part of any quotation or contract, is believed to be accurate and reliable and may be changed without notice. No liability will be accepted by the publisher for any consequence of its use. Publication thereof does not convey nor imply any license under patent- or other industrial or intellectual property rights.

Printed in The Netherlands

545102/25/03/pp16

Date of release: 1998 Oct 16

Document order number: 9397 750 04393

Let's make things better.

**Philips
Semiconductors**



PHILIPS