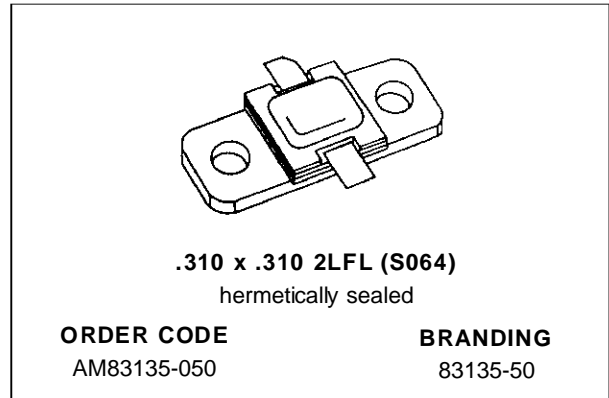


## RF & MICROWAVE TRANSISTORS S-BAND RADAR APPLICATIONS

- REFRACTORY/GOLD METALLIZATION
- EMITTER SITE BALLASTED
- RUGGEDIZED VSWR 3:1 @ 1dB OVERDRIVE
- LOW THERMAL RESISTANCE
- INPUT/OUTPUT MATCHING
- OVERLAY GEOMETRY
- METAL/CERAMIC HERMETIC PACKAGE
- P<sub>OUT</sub> = 50 W MIN. WITH 5.2 dB GAIN

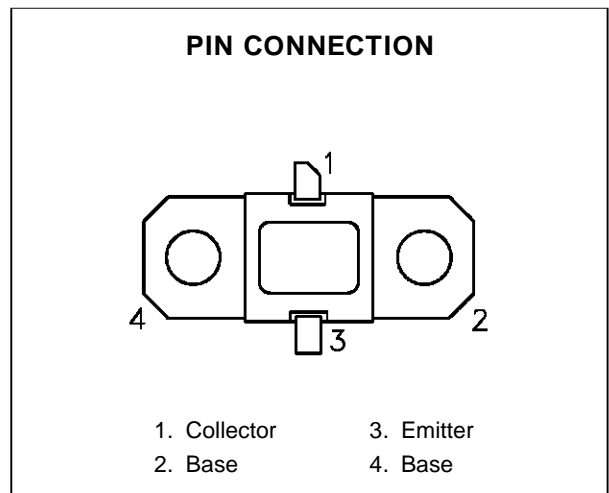


### DESCRIPTION

The AM83135-050 device is a high power silicon bipolar NPN transistor specifically designed for S-Band radar pulsed output and driver applications.

This device is characterized at 10 μsec pulsewidth and 10% duty cycle, but is capable of operation over a range of pulse widths, duty cycles and temperatures and can withstand a 3:1 output VSWR with a +1 dB input overdrive. Low RF thermal resistance, refractory/gold metallization, and computerized automatic wire bonding techniques ensure high reliability and product consistency (including phase characteristics).

The AM83135-050 is supplied in the IMPAC™ Hermetic Metal/Ceramic package with internal Input/Output impedance matching circuitry, and is intended for military and other high reliability applications.



### ABSOLUTE MAXIMUM RATINGS (T<sub>case</sub> = 25°C)

Symbol	Parameter	Value	Unit
P <sub>DISS</sub>	Power Dissipation* (T <sub>C</sub> ≤ 125°C)	312	W
I <sub>C</sub>	Device Current*	8.0	A
V <sub>CC</sub>	Collector-Supply Voltage*	48	V
T <sub>J</sub>	Junction Temperature (Pulsed RF Operation)	250	°C
T <sub>STG</sub>	Storage Temperature	- 65 to +200	°C

### THERMAL DATA

R <sub>TH(j-c)</sub>	Junction-Case Thermal Resistance*	0.40	°C/W
----------------------	-----------------------------------	------	------

\*Applies only to rated RF amplifier operation

**ELECTRICAL SPECIFICATIONS** ( $T_{case} = 25^{\circ}C$ )

**STATIC**

Symbol	Test Conditions			Value			Unit
				Min.	Typ.	Max.	
$BV_{CBO}$	$I_C = 25mA$	$I_E = 0mA$		55	—	—	V
$BV_{EBO}$	$I_E = 5mA$	$I_C = 0mA$		3.5	—	—	V
$BV_{CER}$	$I_C = 25mA$	$R_{BE} = 10W$		55	—	—	V
$I_{CES}$	$V_{BE} = 0V$	$V_{CE} = 42V$		—	—	20	mA
$h_{FE}$	$V_{CE} = 5V$	$I_C = 3A$		30	—	300	—

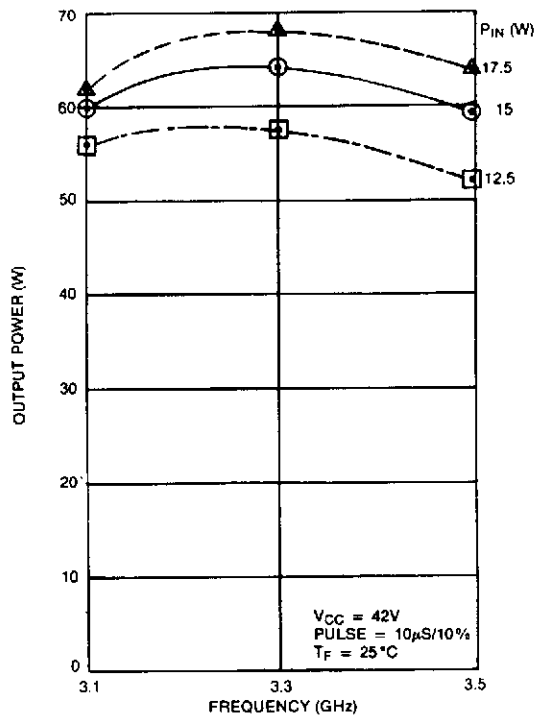
**DYNAMIC**

Symbol	Test Conditions			Value			Unit
				Min.	Typ.	Max.	
$P_{OUT}$	$f = 3.1 - 3.5GHz$	$P_{IN} = 15W$	$V_{CC} = 42V$	50	—	—	W
$\eta_C$	$f = 3.1 - 3.5GHz$	$P_{IN} = 15W$	$V_{CC} = 42V$	30	—	—	%
$G_P$	$f = 3.1 - 3.5GHz$	$P_{IN} = 15W$	$V_{CC} = 42V$	5.2	—	—	dB

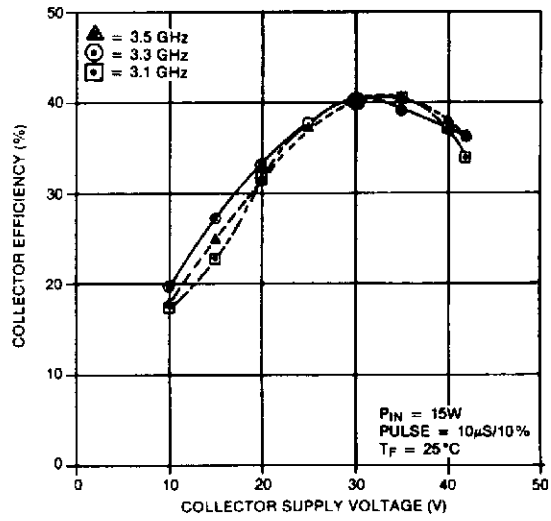
Note: Pulse Width = 10 $\mu$ Sec  
 Duty Cycle = 10%

TYPICAL PERFORMANCE

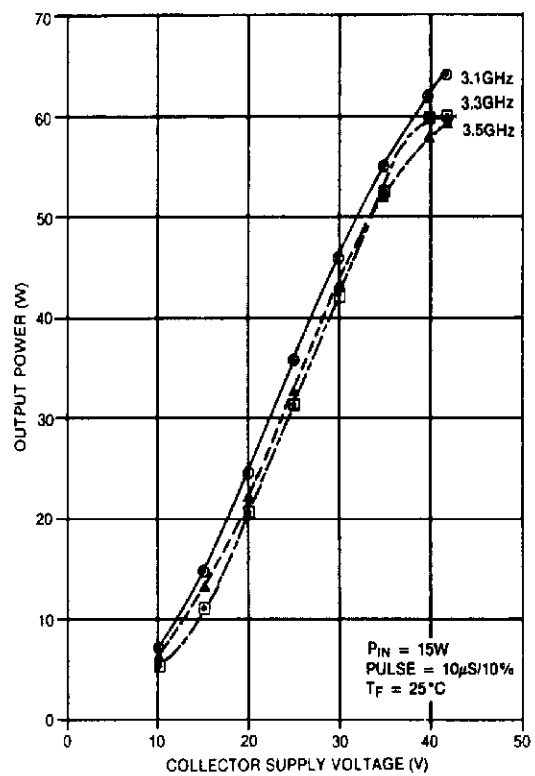
OUTPUT POWER vs FREQUENCY



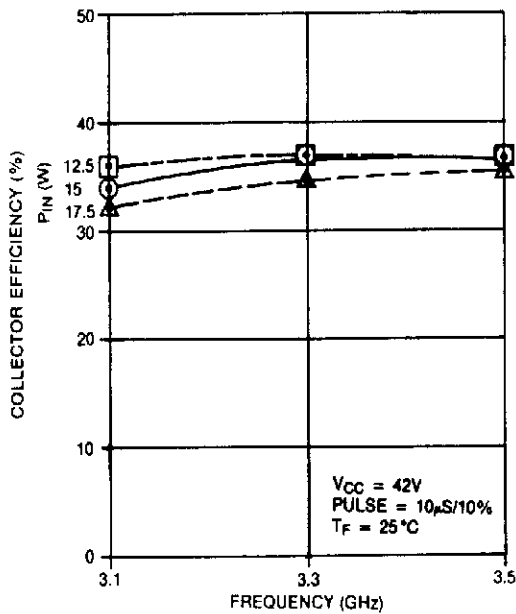
COLLECTOR EFFICIENCY vs COLLECTOR SUPPLY VOLTAGE



OUTPUT POWER vs COLLECTOR SUPPLY VOLTAGE

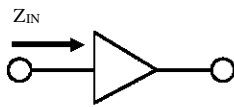


COLLECTOR EFFICIENCY vs FREQUENCY

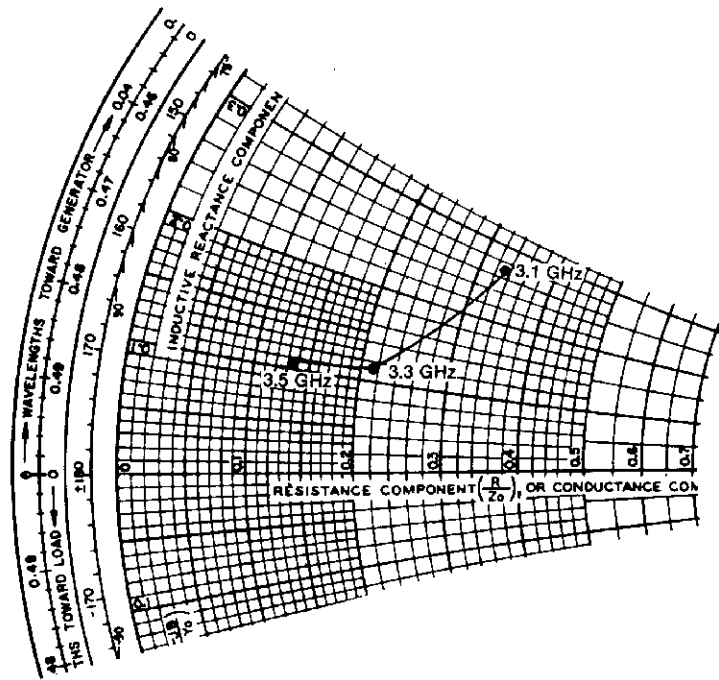


IMPEDANCE DATA

TYPICAL INPUT IMPEDANCE

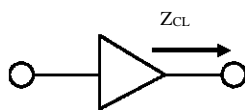


$P_{IN} = 15\text{ W}$   
 $V_{CC} = 42\text{ V}$   
 $Z_{O}^* = 50\text{ ohms}$

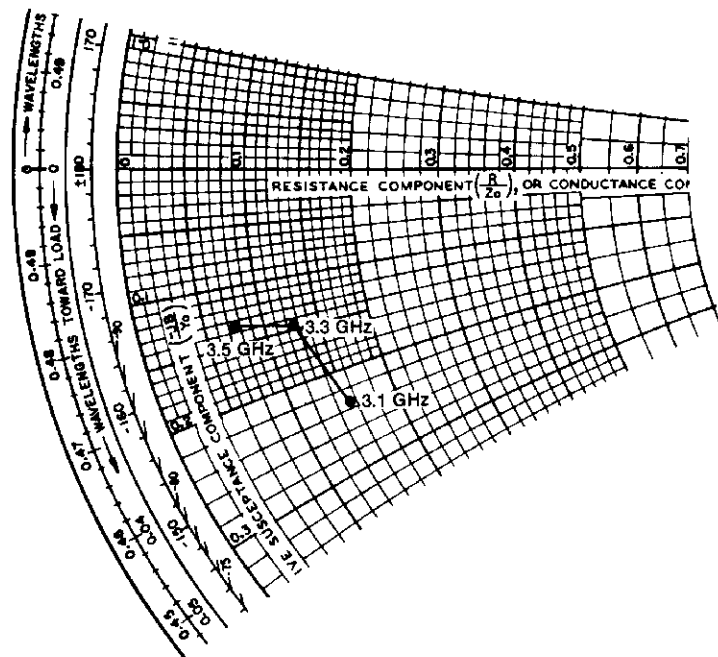


FREQ.	$Z_{IN} (\Omega)$	$Z_{CL} (\Omega)$
L = 3.1 GHz	$16.5 + j 13.5$	$7.7 - j 11.8$
M = 3.3 GHz	$10.8 + j 5.5$	$6.5 - j 7.2$
H = 3.5 GHz	$6.7 + j 5.2$	$3.8 - j 6.7$

TYPICAL COLLECTOR LOAD IMPEDANCE

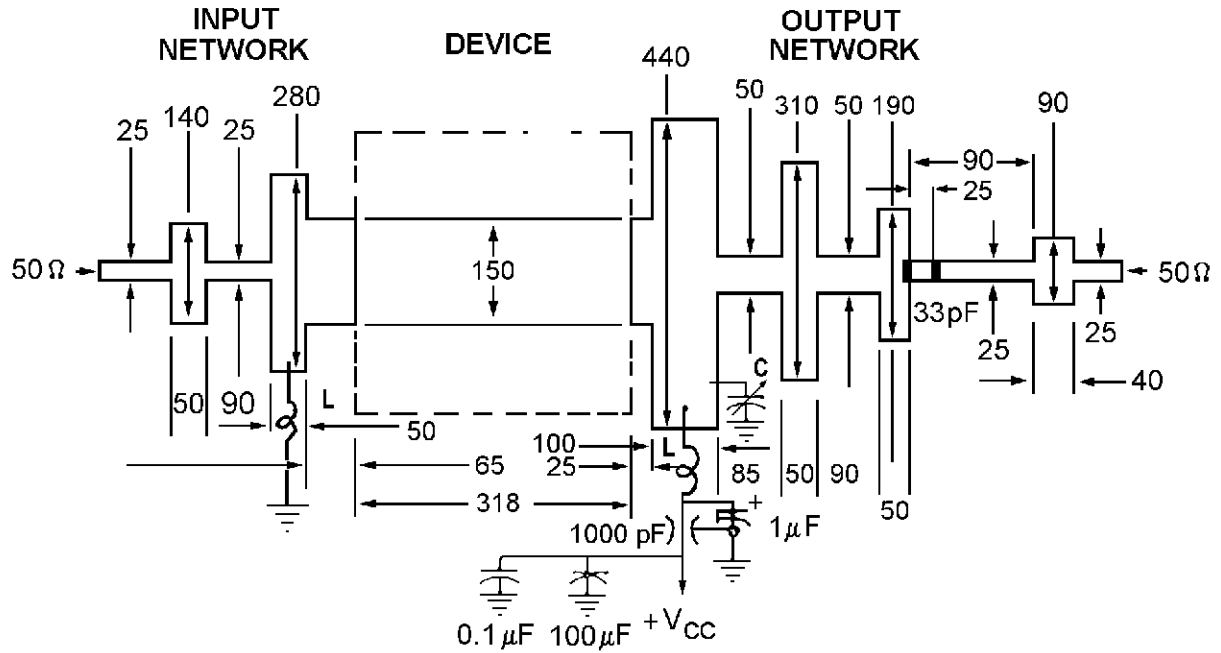


$P_{IN} = 15\text{ W}$   
 $V_{CC} = 42\text{ V}$   
 $Z_{O}^* = 50\text{ ohms}$



\*Normalized

## TEST CIRCUIT



All dimensions are in mils.

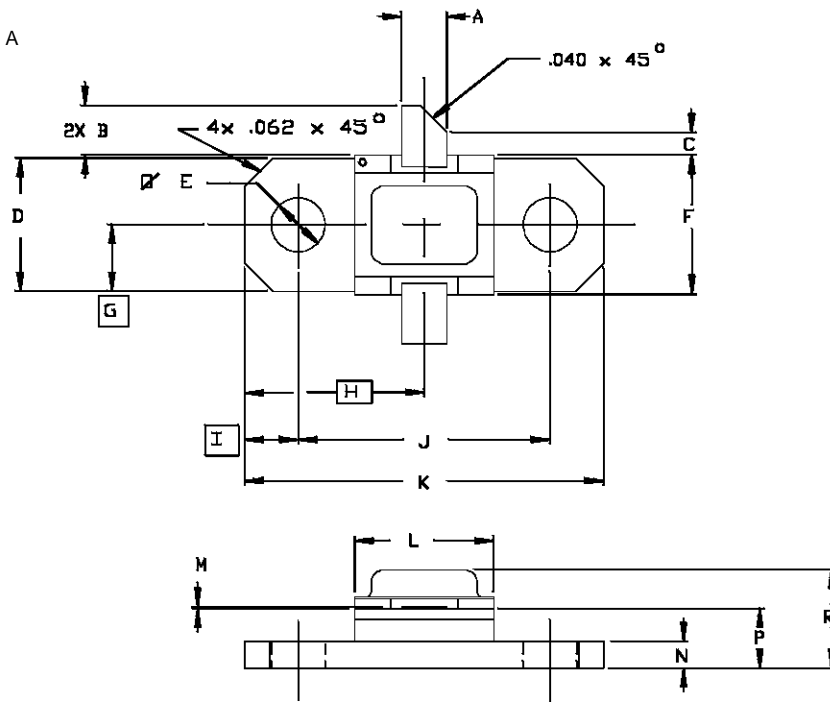
Substrate material: 25 mil thick Al<sub>2</sub>O<sub>3</sub> (E<sub>r</sub> = 9.6)

C - 0.3 to 1.2 pF Johanson Gigatrim

L - 1 Turn #26 wire .80 I.D.

PACKAGE MECHANICAL DATA

Ref.: Dwg. No. 12-0221  
UDCS No. 1011424 rev A



SGS-THOMSON MICROELECTRONICS		CONT'D			
	MINIMUM Inches/mm	MAXIMUM Inches/mm		MINIMUM Inches/mm	MAXIMUM Inches/mm
A	.095/2,41	.105/2,67	K	.790/20,07	.810/20,57
B	.100/2,54	.120/3,05	L	.300/7,62	.320/8,13
C	.050/1,27		M	.003/0,08	.006/0,15
D	.286/7,26	.306/7,77	N	.052/1,32	.072/1,83
E	.110/2,79	.130/3,30	P	.118/3,00	.131/3,33
F	.306/7,77	.318/8,08	R		.230/5,84
G	.148/3,76				
H	.400/10,16				
I	.119/3,02				
J	.552/14,02	.572/14,53			

Information furnished is believed to be accurate and reliable. However, SGS-THOMSON Microelectronics assumes no responsibility for the consequences of use of such information nor for any infringement of patents or other rights of third parties which may result from its use. No license is granted by implication or otherwise under any patent or patent rights of SGS-THOMSON Microelectronics. Specifications mentioned in this publication are subject to change without notice. This publication supersedes and replaces all information previously supplied. SGS-THOMSON Microelectronics products are not authorized for use as critical components in life support devices or systems without express written approval of SGS-THOMSON Microelectronics.

©1996 SGS-THOMSON Microelectronics - All Rights Reserved

SGS-THOMSON Microelectronics GROUP OF COMPANIES

Australia - Brazil - Canada - China - France - Germany - Hong Kong - Italy - Japan - Korea  
Malaysia - Malta - Morocco - The Netherlands - Singapore - Spain - Sweden - Switzerland  
Taiwan - Thailand - United Kingdom - U.S.A.