

AN8000MS

Ripple filter IC for cellular phones

■ Overview

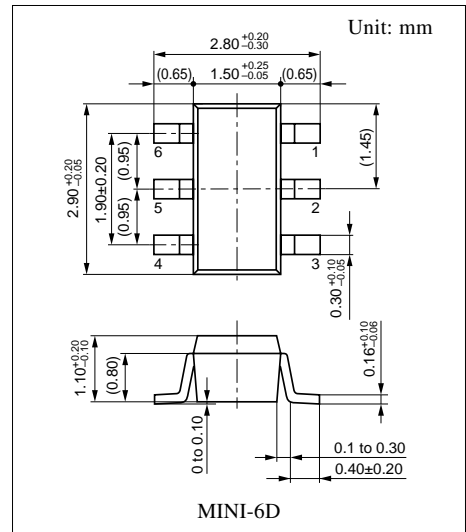
The AN8000MS is a ripple filter IC that rejects the ripple component superimposed on the regulator output. Use for the VCO bias of cellular phones improves C/N and S/N and makes the high-quality telephone communication possible. Furthermore, by decreasing the difference between I/O voltages, drop in the power supply voltage of VCO is reduced.

■ Features

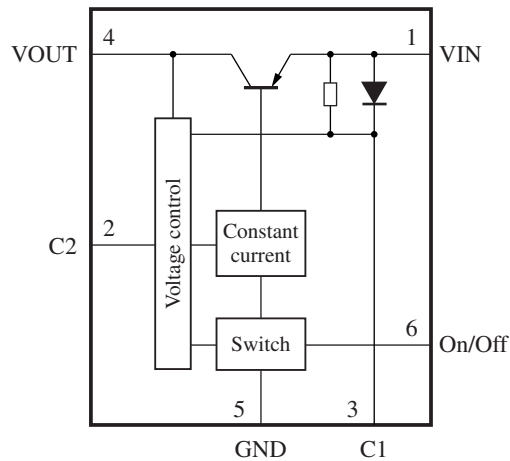
- The I/O drop voltage is reduced to 0.3 V (A PNP transistor is used for the pass transistor)
- The mounting area is reduced by adopting the mini-type 6-pin package

■ Applications

- Cellular phones and others



■ Block Diagram



■ Pin Descriptions

Pin No.	Symbol	Description
1	VIN	Input pin
2	C2	Capacitor connection pin 2
3	C1	Capacitor connection pin 1
4	VOUT	Output pin
5	GND	Ground pin
6	On/Off	Control pin

■ Absolute Maximum Ratings

Parameter	Symbol	Rating	Unit
Supply voltage	V _{IN}	7.0	V
Supply current	I _{IN}	20	mA
Output current	I _O	-15	mA
Allowable application voltage for on/off pin	V _{ON/OFF}	V _{IN}	V
Allowable maximum capacitance for C1 pin	C ₁	100	μF
Allowable maximum capacitance for C2 pin	C ₂	10	μF
Power dissipation *2	P _D	60	mW
Operating ambient temperature *1	T _{opr}	-25 to +75	°C
Storage temperature *1	T _{stg}	-40 to +125	°C

Note) *1: Except for the operating ambient temperature and storage temperature, all ratings are for T_a = 25°C.

*2: The power dissipation shown is the value for T_a = 75°C.

■ Recommended Operating Range

Parameter	Symbol	Range	Unit
Supply voltage	V _{CC}	2.5 to 6.5	V

■ Electrical Characteristics at T_a = 25°C

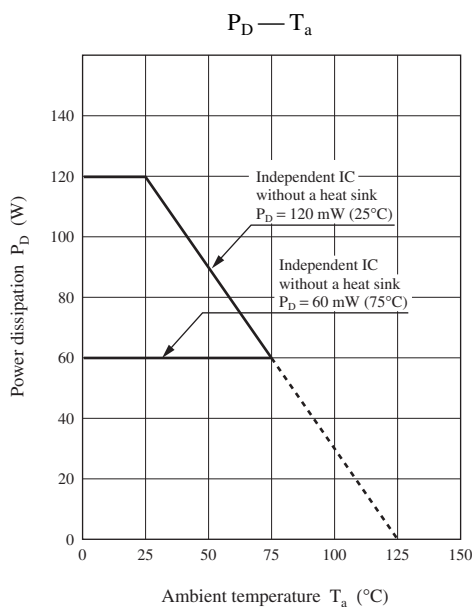
Parameter	Symbol	Conditions	Min	Typ	Max	Unit
Output voltage 1	V _{O1}	V _{IN} = 2.5 V, I _{OUT} = -1 μA	2.10	2.27	—	V
Output voltage 2	V _{O2}	V _{IN} = 2.5 V, I _{OUT} = -15 mA	1.95	2.14	—	V
Output voltage 3	V _{O3}	V _{IN} = 3.0 V, I _{OUT} = -1 μA	2.60	2.79	—	V
Output voltage 4	V _{O4}	V _{IN} = 3.0 V, I _{OUT} = -15 mA	2.60	2.66	—	V
Output voltage 5	V _{O5}	V _{IN} = 7.0 V, I _{OUT} = -1 μA	6.70	6.87	—	V
Output voltage 6	V _{O6}	V _{IN} = 7.0 V, I _{OUT} = -15 mA	6.60	6.74	—	V

■ Electrical Characteristics at $T_a = 25^\circ\text{C}$ (continued)

Parameter	Symbol	Conditions	Min	Typ	Max	Unit
Consumption current 1	I_{O1}	$V_{IN} = 2.5\text{ V}$, $I_{OUT} = -1\ \mu\text{A}$	-420	-322	—	μA
Consumption current 2	I_{O2}	$V_{IN} = 2.5\text{ V}$, $I_{OUT} = -15\text{ mA}$	-400	-304	—	μA
Consumption current 3	I_{O3}	$V_{IN} = 3.0\text{ V}$, $I_{OUT} = -1\ \mu\text{A}$	-600	-490	—	μA
Consumption current 4	I_{O4}	$V_{IN} = 3.0\text{ V}$, $I_{OUT} = -15\text{ mA}$	-550	-450	—	μA
Consumption current 5	I_{O5}	$V_{IN} = 7.0\text{ V}$, $I_{OUT} = -1\ \mu\text{A}$	-2.0	-1.5	—	mA
Consumption current 6	I_{O6}	$V_{IN} = 7.0\text{ V}$, $I_{OUT} = -15\text{ mA}$	-2.0	-1.7	—	mA
Load regulation 1	REG_{L1}	$V_{IN} = 2.5\text{ V}$, $I_{OUT} = -1\ \mu\text{A}$ to -15 mA	0	134	200	mV
Load regulation 2	REG_{L2}	$V_{IN} = 3.0\text{ V}$, $I_{OUT} = -1\ \mu\text{A}$ to -15 mA	0	122	200	mV
Load regulation 3	REG_{L3}	$V_{IN} = 7.0\text{ V}$, $I_{OUT} = -1\ \mu\text{A}$ to -15 mA	0	126	200	mV
Consumption current against load change 1	I_{REG1}	$V_{IN} = 2.5\text{ V}$, $I_{OUT} = -1\ \mu\text{A}$ to -15 mA	-100	-18	100	μA
Consumption current against load change 2	I_{REG2}	$V_{IN} = 3.0\text{ V}$, $I_{OUT} = -1\ \mu\text{A}$ to -15 mA	-100	-18	100	μA
Consumption current against load change 3	I_{REG3}	$V_{IN} = 7.0\text{ V}$, $I_{OUT} = -1\ \mu\text{A}$ to -15 mA	-150	-5	150	μA
Ripple rejection ratio 1	RR_1	$V_{IN} = 3\text{ V} \pm 0.15\text{ V}$, $I_{OUT} = -15\text{ mA}$, $f = 1\text{ kHz}$	20	23	—	dB
Ripple rejection ratio 2	RR_2	$V_{IN} = 3\text{ V} \pm 0.15\text{ V}$, $I_{OUT} = -15\text{ mA}$, $f = 25\text{ kHz}$	35	40	—	dB
Ripple rejection ratio 3	RR_3	$V_{IN} = 3\text{ V} \pm 0.15\text{ V}$, $I_{OUT} = -15\text{ mA}$, $f = 100\text{ kHz}$	30	36	—	dB

■ Application Notes

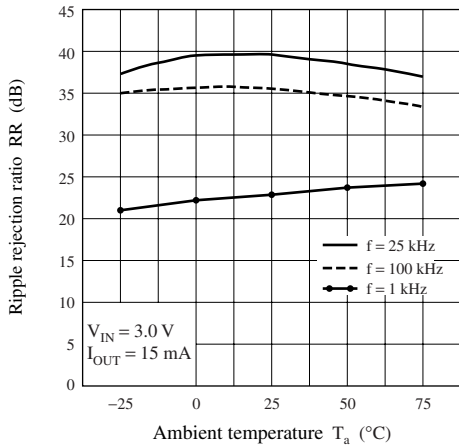
- P_D — T_a curves of MINI-6D package



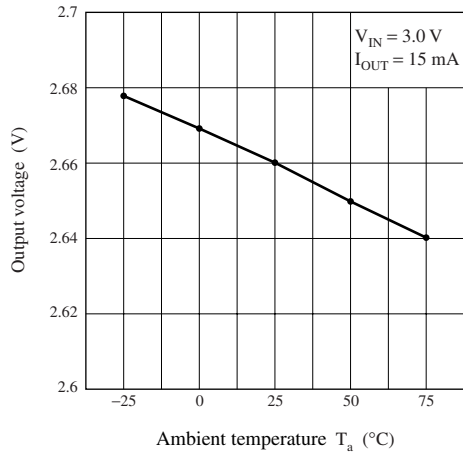
■ Application Notes (continued)

2. Main characteristics

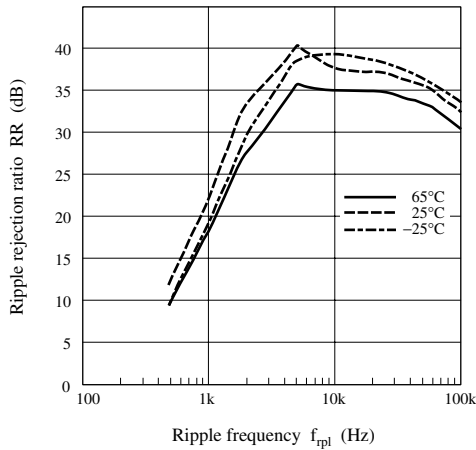
RR — T_a



Output voltage — T_a

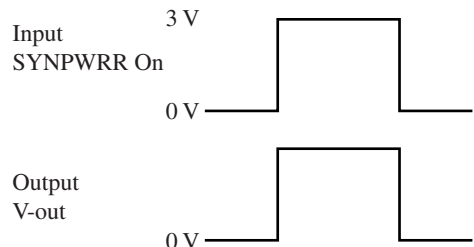
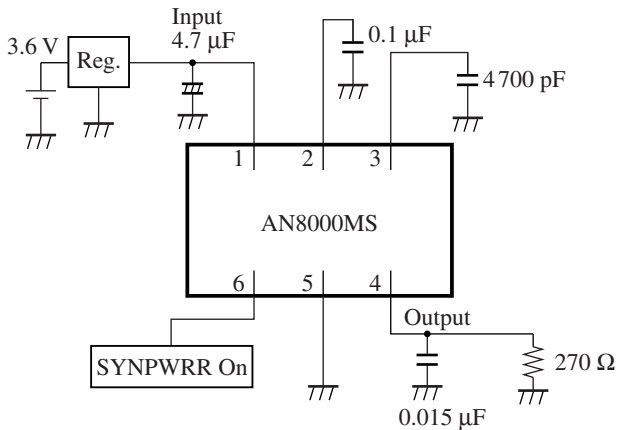


RR — f_{rpl}



3. Transient response

1) Test circuit and conditions

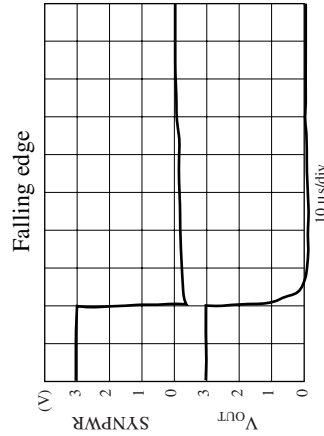
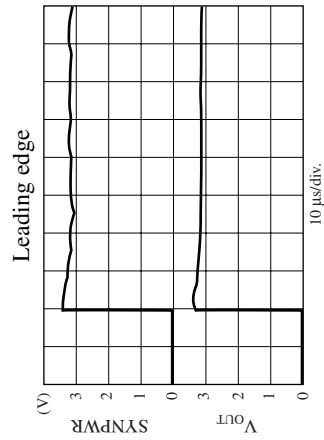
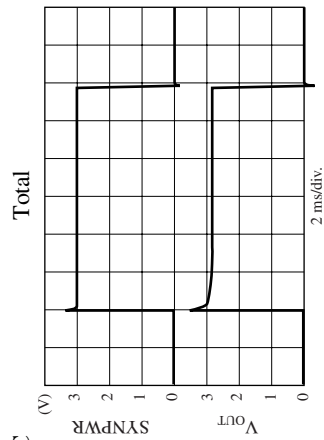


■ Application Notes (continued)

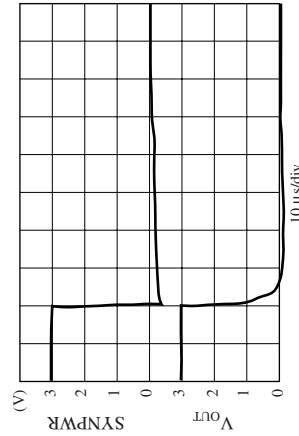
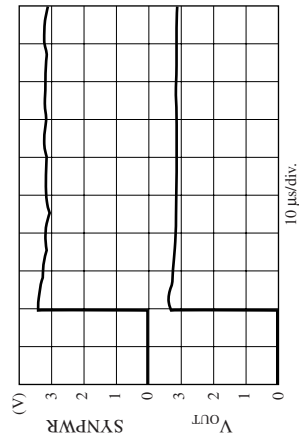
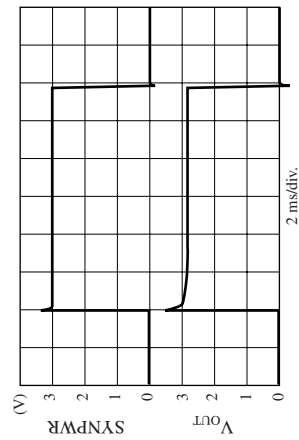
3. Transient response (continued)

2) Transient characteristics (SYNPNR, V_{OUT})

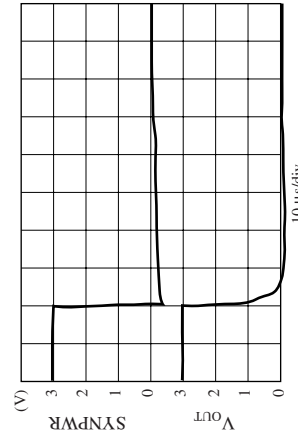
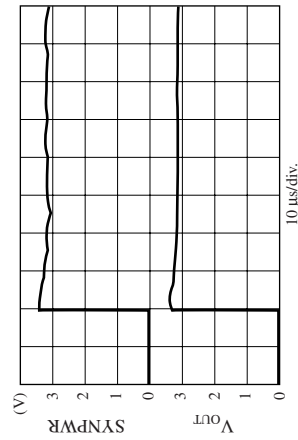
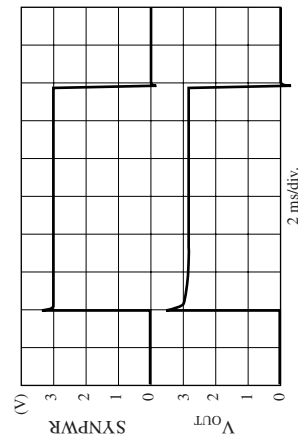
$T_a = -25^\circ\text{C}$



$T_a = 25^\circ\text{C}$

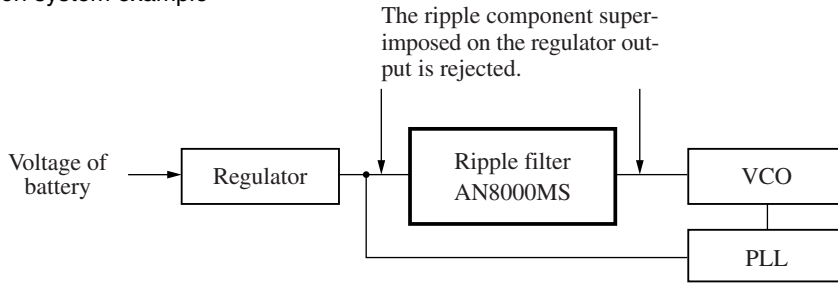


$T_a = 65^\circ\text{C}$

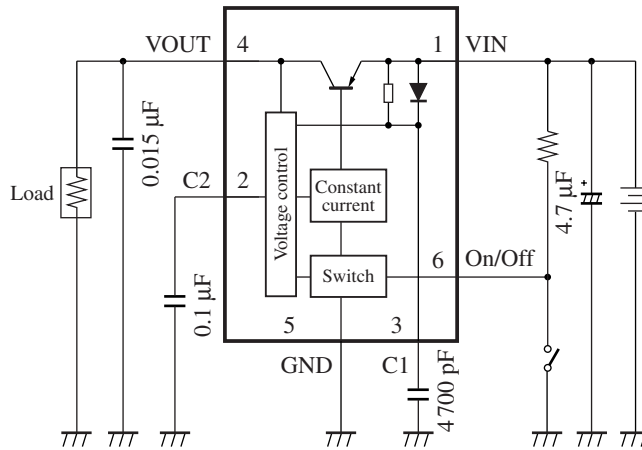


■ Application Circuit Examples

1. Application system example

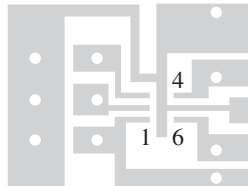


2. Application circuit example



3. PCB pattern

AN8000MS



Request for your special attention and precautions in using the technical information and semiconductors described in this material

- (1) An export permit needs to be obtained from the competent authorities of the Japanese Government if any of the products or technologies described in this material and controlled under the "Foreign Exchange and Foreign Trade Law" is to be exported or taken out of Japan.
- (2) The technical information described in this material is limited to showing representative characteristics and applied circuit examples of the products. It does not constitute the warranting of industrial property, the granting of relative rights, or the granting of any license.
- (3) The products described in this material are intended to be used for standard applications or general electronic equipment (such as office equipment, communications equipment, measuring instruments and household appliances).
Consult our sales staff in advance for information on the following applications:
 - Special applications (such as for airplanes, aerospace, automobiles, traffic control equipment, combustion equipment, life support systems and safety devices) in which exceptional quality and reliability are required, or if the failure or malfunction of the products may directly jeopardize life or harm the human body.
 - Any applications other than the standard applications intended.
- (4) The products and product specifications described in this material are subject to change without notice for reasons of modification and/or improvement. At the final stage of your design, purchasing, or use of the products, therefore, ask for the most up-to-date Product Standards in advance to make sure that the latest specifications satisfy your requirements.
- (5) When designing your equipment, comply with the guaranteed values, in particular those of maximum rating, the range of operating power supply voltage and heat radiation characteristics. Otherwise, we will not be liable for any defect which may arise later in your equipment.
Even when the products are used within the guaranteed values, redundant design is recommended, so that such equipment may not violate relevant laws or regulations because of the function of our products.
- (6) When using products for which dry packing is required, observe the conditions (including shelf life and after-unpacking standby time) agreed upon when specification sheets are individually exchanged.
- (7) No part of this material may be reprinted or reproduced by any means without written permission from our company.

Please read the following notes before using the datasheets

- A. These materials are intended as a reference to assist customers with the selection of Panasonic semiconductor products best suited to their applications.
Due to modification or other reasons, any information contained in this material, such as available product types, technical data, and so on, is subject to change without notice.
Customers are advised to contact our semiconductor sales office and obtain the latest information before starting precise technical research and/or purchasing activities.
- B. Panasonic is endeavoring to continually improve the quality and reliability of these materials but there is always the possibility that further rectifications will be required in the future. Therefore, Panasonic will not assume any liability for any damages arising from any errors etc. that may appear in this material.
- C. These materials are solely intended for a customer's individual use.
Therefore, without the prior written approval of Panasonic, any other use such as reproducing, selling, or distributing this material to a third party, via the Internet or in any other way, is prohibited.