

Model name

HK 10A-5

Nominal output voltage
 Name of series Output power
 10A: 10W type 50A: 50W type
 15A: 15W type 100A: 100W type
 25A: 25W type 150A: 150W type

Features

- Compact size/Standard power supply
Input: 85 ~ 132VAC
Height: 68mm (10 ~ 50W type)
- 30 models
3.3V output type is also lined up.
- Option: Cover
- 3 year warranty

Specifications

1. Input voltage range	85 ~ 132VAC (47 ~ 440Hz), DC110 ~ 175V
2. Output voltage range	±10%
3. Cooling	Convection Cooling
4. Operating ambient temperature (Standard mounting)	HK10A, 15A, 25A, 50A: 100% at 0 ~ +50°C, 50% at +60°C HK100A, 150A: 100% at -10 ~ +50°C, 50% at +60°C
5. Withstand voltage	Input-output: 2kVAC, Output-chassis: 2kVAC, Output-chassis: 500VAC for 1 min.
6. Safety standard	Approved by UL1950 and CSA950(C-UL)
7. EMI	Conforms to FCC class B and VCCI-class B
8. Functions	Over voltage protection, Over current protection, Remote sensing (HK100A, 150A)

Product lineup

Model name		Nominal output voltage	Max. output current	Max. output power	UL	CSA	EN
HK10A	HK10A-3	3.3V	2.0A	6.6W	○	△	×
	HK10A-5	5V	2.0A	10.0W	○	○	×
	HK10A-12	12V	0.9A	10.8W	○	○	×
	HK10A-15	15V	0.7A	10.5W	○	○	×
	HK10A-24	24V	0.5A	12.0W	○	○	×
HK15A	HK15A-3	3.3V	3.0A	9.9W	○	△	×
	HK15A-5	5V	3.0A	15.0W	○	○	×
	HK15A-12	12V	1.3A	15.6W	○	○	×
	HK15A-15	15V	1.0A	15.0W	○	○	×
HK25A	HK25A-3	3.3V	5.0A	16.5W	○	△	×
	HK25A-5	5V	5.0A	25.0W	○	○	×
	HK25A-12	12V	2.1A	25.2W	○	○	×
	HK25A-15	15V	1.7A	25.5W	○	○	×
	HK25A-24	24V	1.1A	26.4W	○	○	×

Model name		Nominal output voltage	Max. output current	Max. output power	UL	CSA	EN
HK50A	HK50A-3	3.3V	10.0A	33.0W	○	△	×
	HK50A-5	5V	10.0A	50.0W	○	○	×
	HK50A-12	12V	4.2A	50.4W	○	○	×
	HK50A-15	15V	3.4A	51.0W	○	○	×
	HK50A-24	24V	2.2A	52.8W	○	○	×
HK100A	HK100A-3	3.3V	20.0A	66W	○	○	×
	HK100A-5	5V	20.0A	100W	○	○	×
	HK100A-12	12V	8.5A	102W	○	○	×
	HK100A-15	15V	7.0A	105W	○	○	×
	HK100A-24	24V	4.5A	108W	○	○	×
HK150A	HK150A-3	3.3V	30.0A	99W	○	○	×
	HK150A-5	5V	30.0A	150W	○	○	×
	HK150A-12	12V	12.5A	150W	○	○	×
	HK150A-15	15V	10.0A	150W	○	○	×
	HK150A-24	24V	6.5A	156W	○	○	×

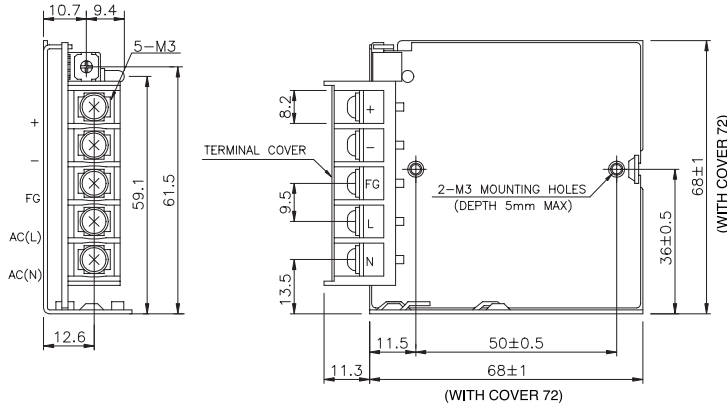
- Request customer specification for further details of specifications, outline, characteristics, etc. Read the instruction manual before usage.
- Contact us about delivery before ordering.

○ : Safety standard approved
 △ : Conforms to safety standard

HK-A-SERIES

Unit Type Power Supply

HK10A

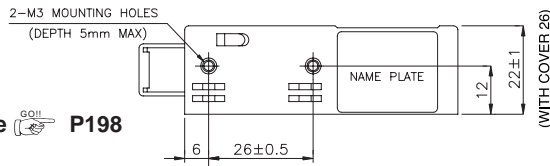


● Recommended Noise Filter

MAW-12R5-22



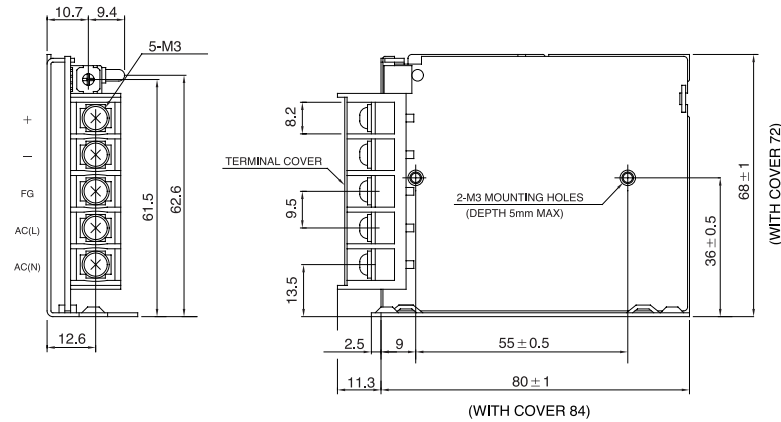
P134



● Recommended Power Supply Fixture **P198**

(Unit: mm)

HK15A

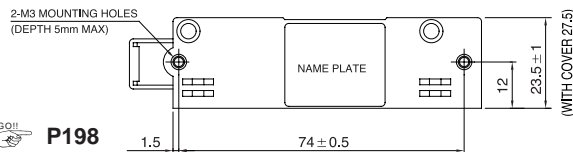


● Recommended Noise Filter

MAW-1201-22



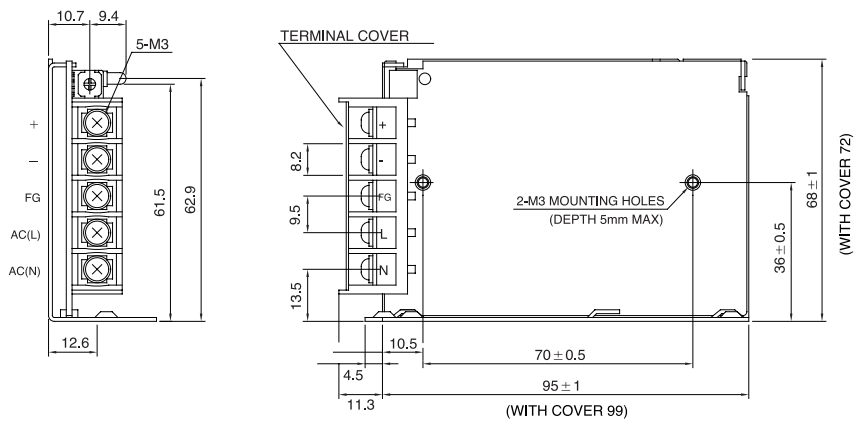
P134



● Recommended Power Supply Fixture **P198**

(Unit: mm)

HK25A

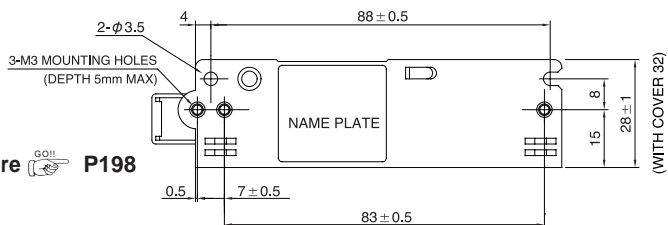


● Recommended Noise Filter

MAW-1201-22



P134

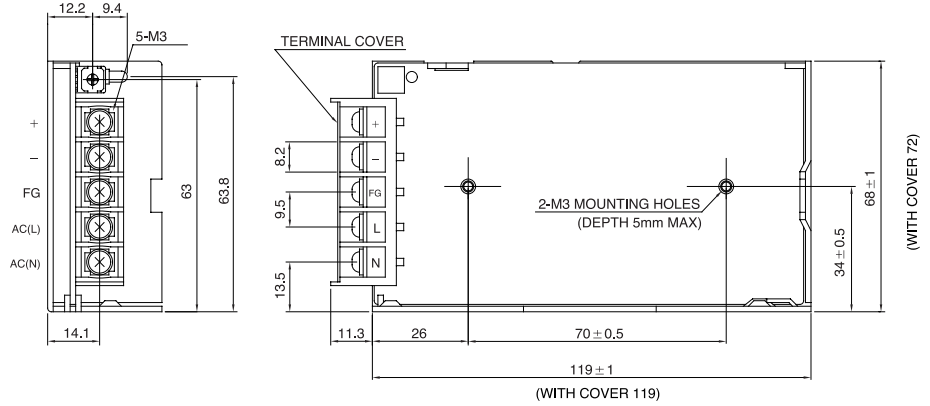


● Recommended Power Supply Fixture **P198**

(Unit: mm)

HK-A-SERIES

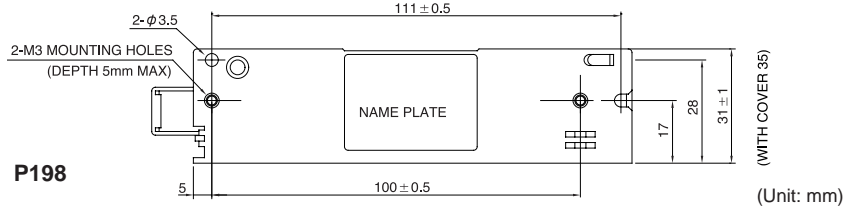
HK50A



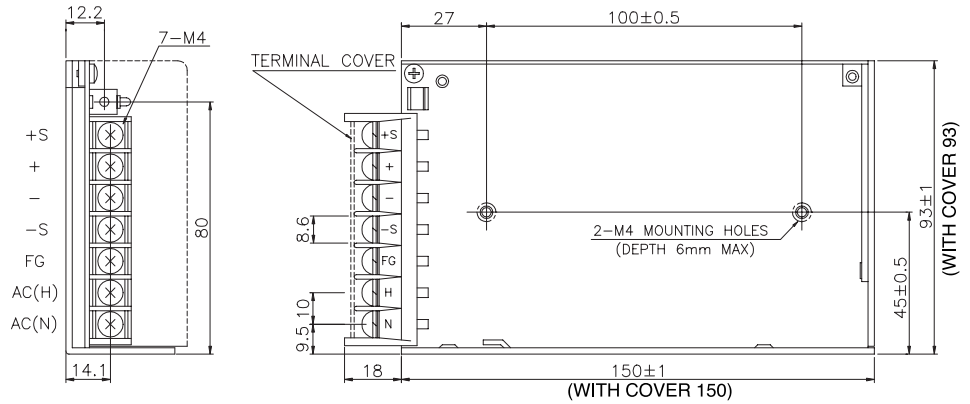
● Recommended Noise Filter



● Recommended Power Supply Fixture P198



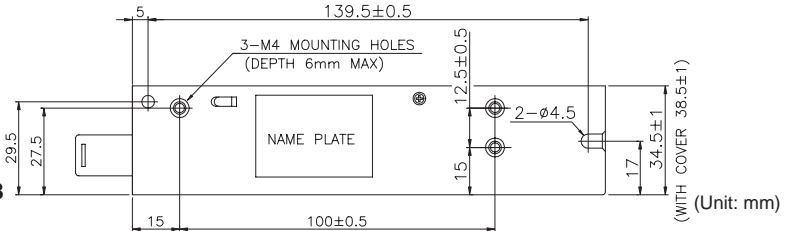
HK100A



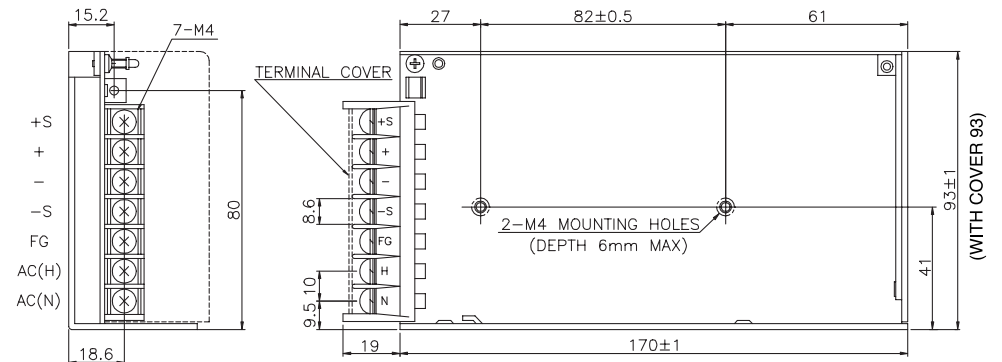
● Recommended Noise Filter



● Recommended Power Supply Fixture P198



HK150A



● Recommended Noise Filter



● Recommended Power Supply Fixture P198

