



# LA5611

## Multifunctional Voltage Regulator for TVs and VCRs

### Applications

- Audiovisual equipment, VCRs and TVs

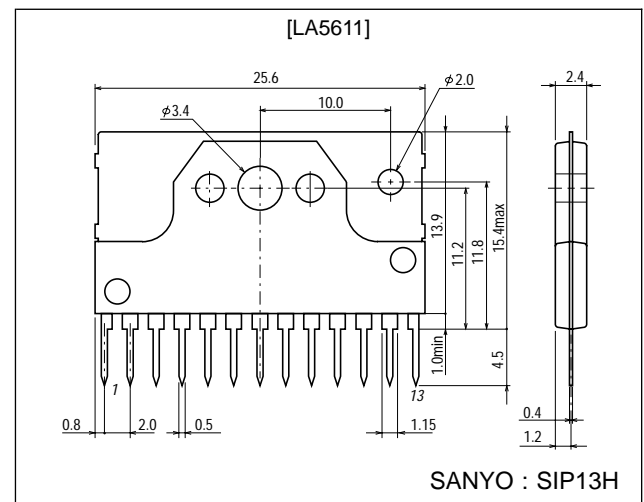
### Features

- Low saturation type of regulator (ON/OFF function built in)
- Control amplifier built in.
- Current limit and thermal limit circuits built in
- Reverse current prevention provided ( $V_{O4}$ )

### Package Dimensions

unit : mm

#### 3107-SIP13H



### Specifications

#### Maximum Ratings at $T_a = 25^\circ\text{C}$

Parameter	Symbol	Conditions	Ratings	Unit
Maximum input voltage	$V_{IN1}$ max		22	V
	$V_{IN2}$ max	$V_{IN1} \geq V_{IN2}$	$V_{IN1}$	
Allowable power dissipation	$P_d$ max	No heat sink	2	W
Thermal resistance between junction and case	$\theta_{j-c}$		4.7	$^\circ\text{C/W}$
Operating temperature	$T_{opr}$		-20 to +80	$^\circ\text{C}$
Storage temperature	$T_{stg}$		-40 to +150	$^\circ\text{C}$

■ Any and all SANYO products described or contained herein do not have specifications that can handle applications that require extremely high levels of reliability, such as life-support systems, aircraft's control systems, or other applications whose failure can be reasonably expected to result in serious physical and/or material damage. Consult with your SANYO representative nearest you before using any SANYO products described or contained herein in such applications.

■ SANYO assumes no responsibility for equipment failures that result from using products at values that exceed, even momentarily, rated values (such as maximum ratings, operating condition ranges, or other parameters) listed in products specifications of any and all SANYO products described or contained herein.

**SANYO Electric Co.,Ltd. Semiconductor Company**

TOKYO OFFICE Tokyo Bldg., 1-10, 1 Chome, Ueno, Taito-ku, TOKYO, 110-8534 JAPAN

92895HA (II) No.5196-1/5

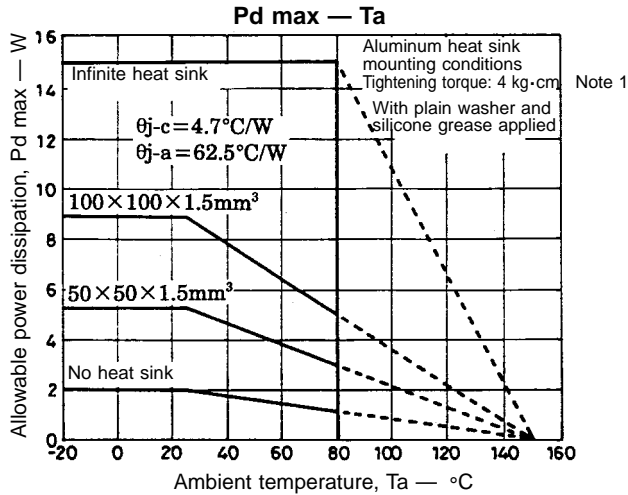
# LA5611

## Operating Conditions at Ta = 25 °C

Parameter	Symbol	Conditions	Ratings	Unit
Input voltage	V <sub>IN1</sub>		11.5 to 20	V
	V <sub>IN2</sub>		6.2 to 20	V
Output current 1	I <sub>O1</sub>	Within ASO of external Tr		mA
Output current 2	I <sub>O2</sub>		10 to 480	mA
Output current 3	I <sub>O3</sub>		10 to 240	mA
Output current 4	I <sub>O4</sub>		5 to 48	mA

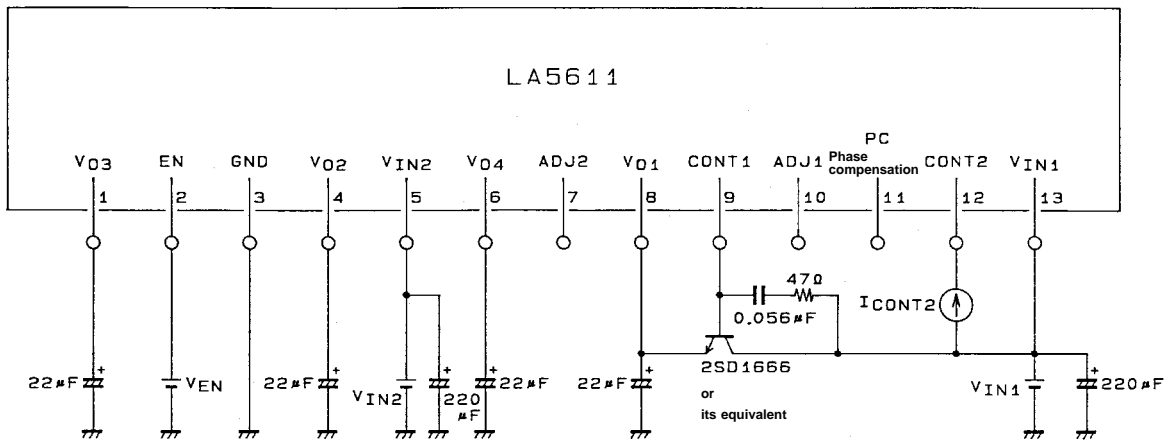
## Operating Characteristics at Ta = 25 °C, See specified Test Circuit.

Parameter	Symbol	Conditions	min	typ	max	Unit
[No-load mode] V <sub>EN</sub> = low, V <sub>IN1</sub> = 14 V, V <sub>IN2</sub> = 6.6 V, I <sub>O1</sub> to I <sub>O4</sub> = 0 mA						
Quiescent current	I <sub>IN1</sub>			8	16	mA
	I <sub>IN2</sub>			2	4	mA
[Regulator 1] V <sub>EN</sub> = low, V <sub>IN1</sub> = 14 V, V <sub>IN2</sub> = 6.6 V, I <sub>O1</sub> = 500 mA, with specified external transistor						
Output voltage 1	V <sub>O1</sub>		8.5	9.0	9.5	V
Dropout voltage	V <sub>DROP1</sub>			0.8	1.6	V
Line regulation	ΔV <sub>OLN1</sub>	12 V ≤ V <sub>IN1</sub> ≤ 16 V			140	mV
Load regulation	ΔV <sub>OLD1</sub>	0.1 A ≤ I <sub>O1</sub> ≤ 1 A			150	mV
Ripple rejection	R <sub>rej1</sub>			50		dB
Output low-level voltage	V <sub>O1</sub> OFF				0.2	V
Control output current	I <sub>CONT1</sub>		10			mA
Output voltage/temperature coefficient	ΔV <sub>O1</sub> /ΔTa			±1		mV/ °C
[Regulator 2] V <sub>EN</sub> = low, V <sub>IN1</sub> = 14 V, V <sub>IN2</sub> = 6.6 V, I <sub>O2</sub> = 400 mA						
Output voltage 2	V <sub>O2</sub>		4.80	5.05	5.30	V
Dropout voltage	V <sub>DROP2</sub>			0.5	1.0	V
Line regulation	ΔV <sub>OLN2</sub>	6 V ≤ V <sub>IN2</sub> ≤ 7.2 V			20	mV
Load regulation	ΔV <sub>OLD2</sub>	0.1 A ≤ I <sub>O2</sub> ≤ 0.4 A			100	mV
Peak output current	I <sub>OP2</sub>		480			mA
Output short-circuit current	I <sub>OSC2</sub>			90	240	mA
Ripple rejection	R <sub>rej2</sub>			50		dB
Output low-level voltage	V <sub>O2</sub> OFF				0.2	V
Output voltage/temperature coefficient	ΔV <sub>O2</sub> /ΔTa			±0.5		mV/ °C
[Regulator 3] V <sub>EN</sub> = high, V <sub>IN1</sub> = 14 V, V <sub>IN2</sub> = 6.6 V, I <sub>O3</sub> = 200 mA						
Output voltage 3	V <sub>O3</sub>		4.80	5.05	5.30	V
Dropout voltage	V <sub>DROP3</sub>			0.5	1.0	V
Line regulation	ΔV <sub>OLN3</sub>	6 V ≤ V <sub>IN2</sub> ≤ 7.2 V			20	mV
Load regulation	ΔV <sub>OLD3</sub>	10 mA ≤ I <sub>O3</sub> ≤ 200 mA			100	mV
Peak output current	I <sub>OP3</sub>		240			mA
Output short-circuit current	I <sub>OSC3</sub>			40	120	mA
Ripple rejection	R <sub>rej3</sub>			50		dB
Output voltage/temperature coefficient	ΔV <sub>O3</sub> /ΔTa			±0.5		mV/ °C
[Regulator 4] V <sub>EN</sub> = high, V <sub>IN1</sub> = 14 V, V <sub>IN2</sub> = 6.6 V, I <sub>O4</sub> = 40 mA						
Output voltage 4	V <sub>O4</sub>		5.4	5.7	6.0	V
Dropout voltage	V <sub>DROP4</sub>			3.8	5.0	V
Line regulation	ΔV <sub>OLN4</sub>	12 V ≤ V <sub>IN1</sub> ≤ 16 V			40	mV
Load regulation	ΔV <sub>OLD4</sub>	10 mA ≤ I <sub>O4</sub> ≤ 40 mA			65	mV
Peak output current	I <sub>OP4</sub>		40			mA
Output short-circuit current	I <sub>OSC4</sub>			70		mA
Ripple rejection	R <sub>rej4</sub>			50		dB
Output voltage/temperature coefficient	ΔV <sub>O4</sub> /ΔTa			±1		mV/ °C
[Output on/off control] V <sub>IN1</sub> = 14 V, V <sub>IN2</sub> = 6.6 V						
Output on control voltage	V <sub>ENL</sub>	V <sub>O1</sub> , V <sub>O2</sub> : on			1.0	V
Output off control voltage	V <sub>ENH</sub>	V <sub>O1</sub> , V <sub>O2</sub> : off	3.0		V <sub>IN1</sub>	V
[Control Amplifier] V <sub>IN1</sub> = 14 V, V <sub>IN2</sub> = 6.6 V						
Control output current	I <sub>CONT2</sub>		10			mA
Resistance ratio	K <sub>R</sub>	K <sub>R</sub> = R <sub>4</sub> /R <sub>3</sub> , V <sub>ref</sub> = 1.28 V typ		9.94		



Note 1: The tightening torque referred to in the above figure is a condition specified for the heat dissipation characteristics and not a working condition to be met when mounting the heat sink.

**Test Circuit**



A04329

**Pin Functions**

No.	Symbol	Function
1	VO3	5.05 V/240 mA regulator, with current limit, thermal shutdown.
2	EN	Regulator 1 and regulator 2 on/off control. Low active.
3	GND	Substrate of the LA5611 (minimum potential).
4	VO2	5.05 V/480 mA regulator, with on/off, current limit, thermal shutdown.
5	VIN2	Low voltage input.
6	VO4	5.7 V/40 mA regulator with reverse current prevention.
7	ADJ2	VO1 adjustment pin. Resistance between pin 7 and ground → VO1 up. Resistance between pin 7 and pin 8 → VO1 down
8	VO1	Output voltage sensor of 9.0 V regulator
9	CONT1	Base control of external NPN transistor. ICONT1 = 10 mA, with on/off, thermal shutdown coupled with the internal thermal shutdown of this regulator.
10	ADJ1	VIN1 adjustment pin. Resistance between pin 10 and ground → VIN1 up. Resistance between pin 13 and pin 10 → VIN1 down
11	PC	Phase correction pin of switching regulator control amplifier.
12	CONT2	Drive output of switching regulator control amplifier.
13	VIN1	High voltage input.

# LA5611

## Function Table (○: built in, ×: not built in)

Function	Circuit block	V <sub>O1</sub>	V <sub>O2</sub>	V <sub>O3</sub>	V <sub>O4</sub>	Control amplifier
Input line		V <sub>IN1</sub>	V <sub>IN2</sub>	V <sub>IN2</sub>	V <sub>IN1</sub>	V <sub>IN1</sub>
Current limit		×	○	○	○	×
Thermal limit		○	○	○	×	×
On/off control		○	○	×	×	×

## Usage Notes

- (1) Apply voltages to the voltage input pins on condition that  $V_{IN1} \cong V_{IN2}$ .
- (2) Supply the voltages simultaneously to V<sub>IN1</sub> and V<sub>IN2</sub>. Do not use the LA5611 with voltage applied to only one of these pins.
- (3) Since the control circuit of regulator 1 does not have current limit protection of such as an external NPN transistor, provide this protection in each application.

## Logic Table

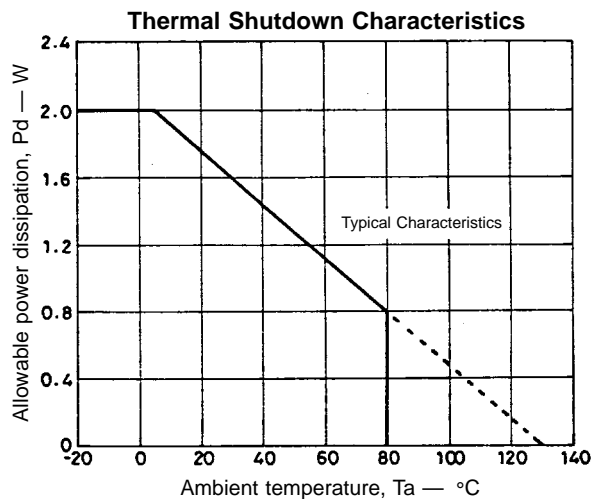
Conditions : when  $V_{IN1} \cong V_{IN2}$  (at  $V_{IN1} \cong 11.5$  V,  $V_{IN2} \cong 6.2$  V)

EN	V <sub>O1</sub> , V <sub>O2</sub>
L or open	H
H	L

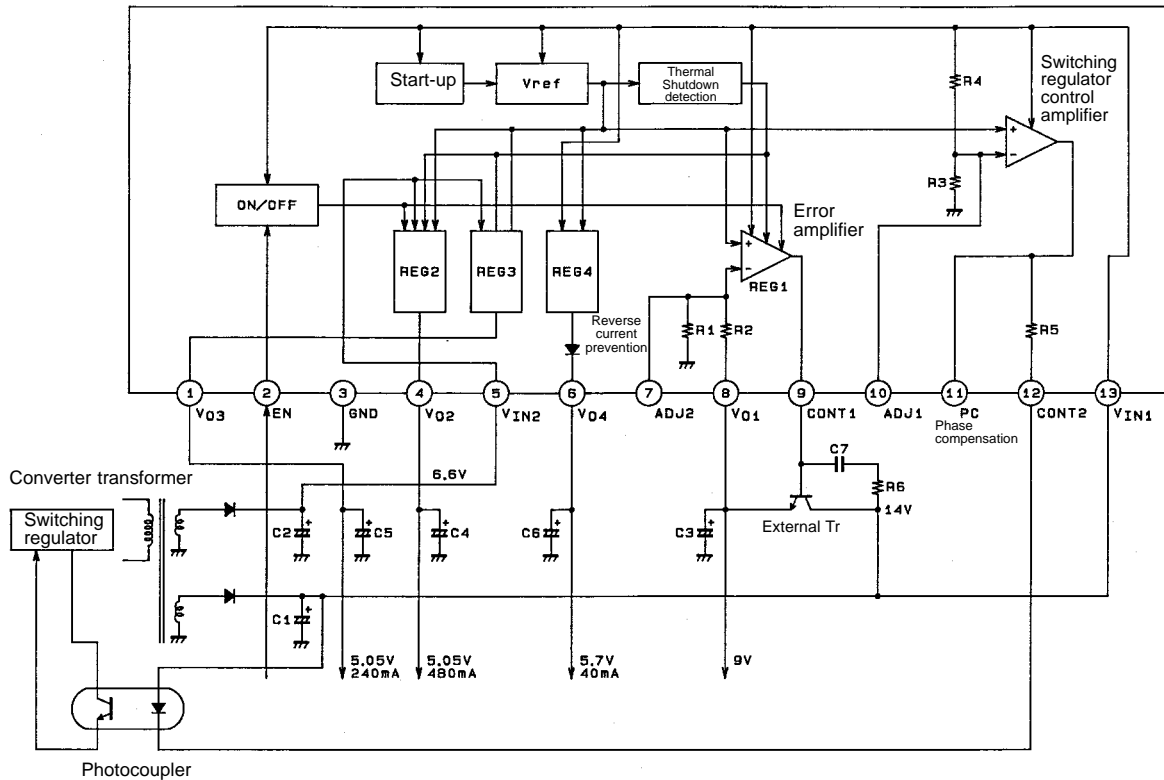
- (1) “H” for EN denotes high level; “L” denotes low level.
- (2) “H” for V<sub>O</sub> denotes output ON voltage; “L” denotes output OFF voltage.

## Thermal Design Notes

- (1) In the LA5611, the junction temperature (T<sub>j</sub>) at which thermal shutdown is activated is approximately equal to 130°C.
- (2) Consequently, the operating temperature range of REG1, REG2 and REG3 with the thermal shutdown function is restricted by the thermal shutdown characteristics (typical value) shown in the figure below.
- (3) The thermal shutdown characteristics vary  $\pm 20^\circ\text{C}$  or so. Since thermal shutdown is liable to occur with inadequate heat dissipation, sufficient consideration must be given to the heat dissipation design.



Equivalent Circuit Block Diagram and Sample Application Circuit



A04328

Application Notes

- (1) Depending on the type, load current and connection position (distance from the LA5611) of the external NPN transistor, the capacitor C7 and resistance R6 is necessary for preventing oscillation.
- (2) C1 to C6 are bypass capacitors for preventing oscillation: as such, they must be positioned as close to the LA5611 as possible in order to stabilize operation.

- Specifications of any and all SANYO products described or contained herein stipulate the performance, characteristics, and functions of the described products in the independent state, and are not guarantees of the performance, characteristics, and functions of the described products as mounted in the customer's products or equipment. To verify symptoms and states that cannot be evaluated in an independent device, the customer should always evaluate and test devices mounted in the customer's products or equipment.
- SANYO Electric Co., Ltd. strives to supply high-quality high-reliability products. However, any and all semiconductor products fail with some probability. It is possible that these probabilistic failures could give rise to accidents or events that could endanger human lives, that could give rise to smoke or fire, or that could cause damage to other property. When designing equipment, adopt safety measures so that these kinds of accidents or events cannot occur. Such measures include but are not limited to protective circuits and error prevention circuits for safe design, redundant design, and structural design.
- In the event that any or all SANYO products (including technical data, services) described or contained herein are controlled under any of applicable local export control laws and regulations, such products must not be exported without obtaining the export license from the authorities concerned in accordance with the above law.
- No part of this publication may be reproduced or transmitted in any form or by any means, electronic or mechanical, including photocopying and recording, or any information storage or retrieval system, or otherwise, without the prior written permission of SANYO Electric Co., Ltd.
- Any and all information described or contained herein are subject to change without notice due to product/technology improvement, etc. When designing equipment, refer to the "Delivery Specification" for the SANYO product that you intend to use.
- Information (including circuit diagrams and circuit parameters) herein is for example only; it is not guaranteed for volume production. SANYO believes information herein is accurate and reliable, but no guarantees are made or implied regarding its use or any infringements of intellectual property rights or other rights of third parties.

This catalog provides information as of September, 1995. Specifications and information herein are subject to change without notice.