



LC898093

40× Playback/12× Write CD-R/RW Encoder/Decoder IC with Built-in ATAPI Interface

Preliminary

BURN-Proof™

Functions

- CD-ROM decoder/encoder functions
- CD decoder/encoder functions
- Pit and wobble CLV servo
- CAV audio functions
- ATAPI interface (include the register block)
- Subcode encoder/decoder functions
- ATIP demodulator/ATIP decoder
- Write strategy function (CD-R/RW)

Features

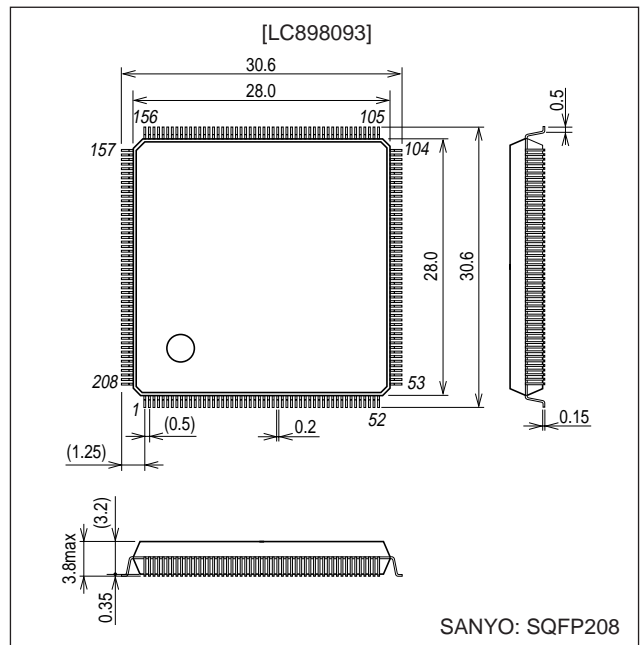
- ECC and EDC correction/addition (decoding/encoding) for CD-ROM data.
- ECC error correction/addition (decoding/encoding) for subcode data
- Servo control implemented in a digital servo system (decoding/encoding)
- CLV servo control using ATIP data (encoding)
- ATIP decoding function and CRC check function (decoding/encoding)
- CIRC code generation and addition and EFM modulation (encoding)
- CAV audio functions
- Provides high-precision CD-R/RW write strategy signal output
- Built-in ATAPI interface (with Ultra DMA 33 support)
- Supports 40× decoding and 12× encoding.
Clock frequency: 33.8688 MHz
- Transfer rates: Up to 16.6 MB/s (when 32× IORDY used), up to 33 MB/s when Ultra DMA used. These values apply when 16-bit 45 ns EDO DRAM is used.

- From 1 to 64 Mbits of buffer RAM can be used. (16-bit data bus EDO DRAM)
- The user can freely set up the CD main channel, C2 flag, and subcode areas in buffer RAM.
- Batch transfer function (Function for transferring the CD main channel, C2 flag, subcode, and other data in a single operation)
- Multi-transfer function (Function for automatically transferring multiple block to the host in a single operation)
- CAV audio functions
- Supports Ultra DMA modes 0, 1, and 2.

Package Dimensions

unit: mm

3210-SQFP208



“BURN-Proof” stands for Proof against Buffer Under Run error, not for proof against burning.
“BURN-Proof” is a trademark of SANYO Electric Co., Ltd.

- Any and all SANYO products described or contained herein do not have specifications that can handle applications that require extremely high levels of reliability, such as life-support systems, aircraft's control systems, or other applications whose failure can be reasonably expected to result in serious physical and/or material damage. Consult with your SANYO representative nearest you before using any SANYO products described or contained herein in such applications.
- SANYO assumes no responsibility for equipment failures that result from using products at values that exceed, even momentarily, rated values (such as maximum ratings, operating condition ranges, or other parameters) listed in products specifications of any and all SANYO products described or contained herein.

SANYO Electric Co.,Ltd. Semiconductor Company

TOKYO OFFICE Tokyo Bldg., 1-10, 1 Chome, Ueno, Taito-ku, TOKYO, 110-8534 JAPAN

Specifications

Absolute Maximum Ratings at $V_{SS} = 0\text{ V}$

Parameter	Symbol	Conditions	Ratings	Unit
Supply voltage	$V_{DD5\text{ max}}$	$T_a \leq 25^\circ\text{C}$	-0.3 to +6.0	V
	$V_{DD3\text{ max}}$	$T_a \leq 25^\circ\text{C}$	-0.3 to +4.6	V
I/O voltages	V_{I5}, V_{O5}	$T_a \leq 25^\circ\text{C}$	-0.3 to $V_{DD5} + 0.3$	V
	V_{I3}, V_{O3}	$T_a \leq 25^\circ\text{C}$	-0.3 to $V_{DD3} + 0.3$	V
Allowable power dissipation	$P_d\text{ max}$	$T_a \leq 70^\circ\text{C}$	750	mW
Operating temperature	T_{opr}		-30 to +70	$^\circ\text{C}$
Storage temperature	T_{stg}		-55 to +125	$^\circ\text{C}$
Soldering conditions (pins only)		10 seconds	260	$^\circ\text{C}$

Allowable Operating Ranges at $T_a = -30\text{ to }+70^\circ\text{C}$, $V_{SS} = 0\text{ V}$

Parameter	Symbol	Conditions	Ratings			Unit
			min	typ	max	
[I/O cells, 5.0 V power supply]						
Supply voltage	V_{DD5}		4.5	5.0	5.5	V
Input voltage range	V_{IN}		0		V_{DD5}	V
[Internal cells, 3.3 V power supply]						
Supply voltage	V_{DD3}		3.0	3.3	3.6	V
Input voltage range	V_{IN}		0		V_{DD3}	V

Electrical Characteristics at $T_a = -30\text{ to }+70^\circ\text{C}$, $V_{SS} = 0\text{ V}$, $V_{DD} = 4.5\text{ to }5.5\text{ V}$

Parameter	Symbol	Conditions	Ratings			Unit
			min	typ	max	
High-level input voltage	V_{IH}	TTL level inputs: (1)	2.2			V
Low-level input voltage	V_{IL}				0.8	V
High-level input voltage	V_{IH}	TTL level inputs with built-in pull-up resistors: (4)	2.2			V
Low-level input voltage	V_{IL}				0.8	V
High-level input voltage	V_{IH}	TTL level Schmitt trigger inputs: (0), (7)	2.4			V
Low-level input voltage	V_{IL}				0.8	V
High-level input voltage	V_{IH}	TTL level Schmitt trigger inputs Built-in pull-up resistors: (9), (14)	2.4			V
Low-level input voltage	V_{IL}				0.8	V
High-level input voltage	V_{IH}	CMOS level inputs with built-in pull-up resistors: (10)	0.7 V_{DD}			V
Low-level input voltage	V_{IL}				0.3 V_{DD}	V
Analog input voltage	V_{ANI}	(11)	1/4 V_{DD}		3/4 V_{DD}	V
High-level output voltage	V_{OH}	$I_{OH} = -8\text{ mA}$: (3), (8)	$V_{DD} - 2.1$			V
Low-level output voltage	V_{OL}	$I_{OL} = 8\text{ mA}$: (3), (8)			0.4	V
High-level output voltage	V_{OH}	$I_{OH} = -2\text{ mA}$: (2), (4), (6)	$V_{DD} - 2.1$			V
Low-level output voltage	V_{OL}	$I_{OL} = 2\text{ mA}$: (2), (4), (6)			0.4	V
Low-level output voltage	V_{OL}	$I_{OL} = 2\text{ mA}$: (5)			0.4	V
High-level output voltage	V_{OH}	$I_{OH} = -8\text{ mA}$: (7), (12), (14), (15)	$V_{DD} - 2.1$			V
Low-level output voltage	V_{OL}	$I_{OL} = 24\text{ mA}$: (7), (12), (14), (15)			0.4	V
Input leakage current	I_{IL}	$V_I = V_{SS}$, V_{DD} : (0), (1), (7), (9)	-10		+10	μA
Output leakage current	I_{OZ}	In the high-impedance output state: (2), (7), (8), (12), (13), (14), (15)	-10		+10	μA
Pull-up resistance	R_{UP}	(10)	50	100	200	$\text{k}\Omega$
Pull-up resistance	R_{UP}	(4), (5)	40	80	160	$\text{k}\Omega$
Pull-up resistance	R_{UP}	(9), (13), (14)	7	10	13	$\text{k}\Omega$
Pull-up resistance	R_{UP}	(15)	7	10	13	$\text{k}\Omega$

The applicable pin groups are listed on the following page.

Applicable Pins**[INPUT]**

- (0) $\overline{\text{CS}}$, $\overline{\text{RD}}$, $\overline{\text{WR}}$, WRITE, SUA0 to SUA7, $\overline{\text{RESET}}$, WOBBLE, $\overline{\text{CS1FX}}$, $\overline{\text{CS3FX}}$, $\overline{\text{DIOR}}$, $\overline{\text{DIOW}}$, $\overline{\text{HRST}}$
- (9) $\overline{\text{DMACK}}$
- (1) TEST0 to TEST4
- (10) FG
- (11) AD0, AD1, RREC, FE, TE, VREF, AD2, TES

[OUTPUT]

- (2) PDS1 to PDS3, DSLB
- (3) RA0 to RA9, $\overline{\text{CAS0}}$ and $\overline{\text{CAS1}}$, $\overline{\text{RAS0}}$ to $\overline{\text{RAS2}}$, $\overline{\text{LWE}}$, $\overline{\text{UWE}}$, $\overline{\text{OE}}$, SSP2/1, RAPC, WAPC, H11T0, LDH, ATEST3/1, WDAT, NWDAT, EFMG, SHOCK, LOCK, EFMO, ATIPSYNC, ACRCNG, PCK2
- (6) LDON
- (12) INTRQ, $\overline{\text{IOCS16}}$
- (13) IORDY
- (15) DMARQ

[INOUT]

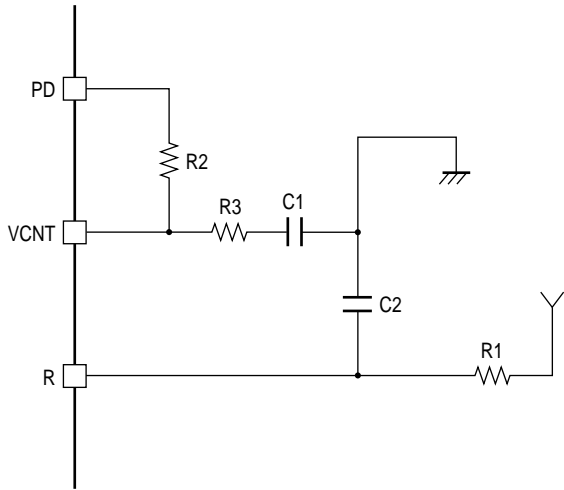
- (4) D0 to D7, IO0 to IO15
- (5) $\overline{\text{INT0}}$ and $\overline{\text{INT1}}$, $\overline{\text{SWAIT}}$
- (7) DD0 to DD15
- (8) BIDATA, BICLK
- (14) DASP, $\overline{\text{PDIAG}}$

Note: The XTAL0 pin is not specified in the DC characteristics.

The pull-up and pull-down resistors on pins (9), (13), (14), and (15) are disabled after a reset.

External Circuit for the PLL Circuit

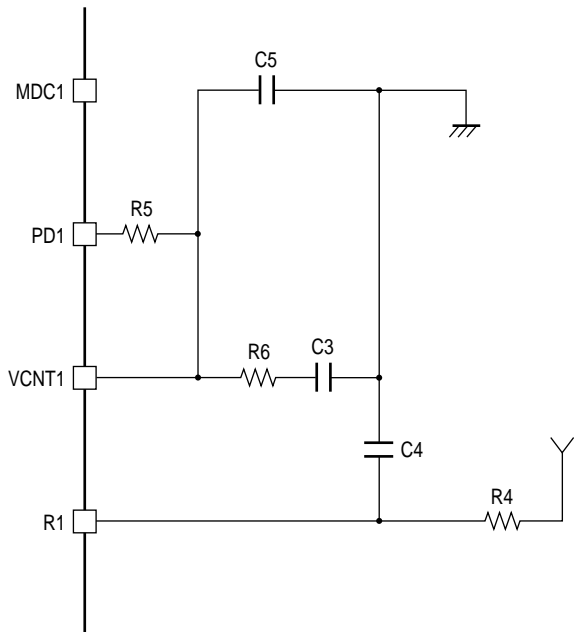
1. Internal Reference Clock Oscillator Block



Symbol	Value (typ)	Unit
R1	5.6 k	Ω
R2	10 k	Ω
R3	200	Ω
C1	0.1 μ	F
C2	0.1 μ	F

A13192

2. Write Strategy Block

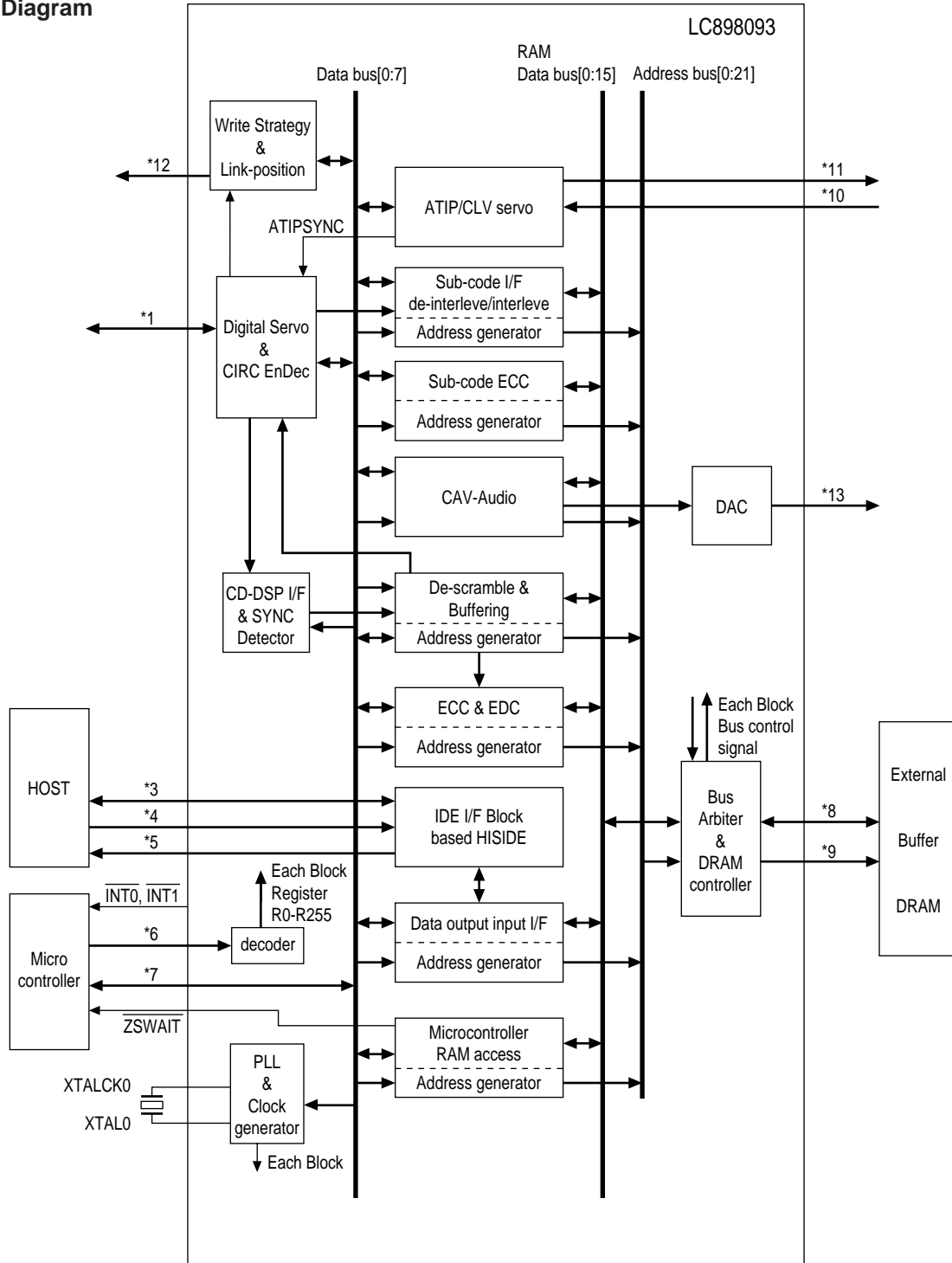


Symbol	Value (typ)	Unit
R4	5.6 k	Ω
R5	15 k	Ω
R6	220	Ω
C3	0.1 μ	F
C4	0.1 μ	F
C5	0.1 μ	F

A13193

The analog V_{DD} and V_{SS} pins (pins 52, 53, 90, and 91) must be completely isolated from the logic system power supply and must not be influenced by fluctuations in the logic system power supply.

Block Diagram



*1 DSLB (pin96) to SUBSYNC (pin145), SHOCK (pin147) to PCK2 (pin155)

A13194

*3 DD0 to DD15, $\overline{\text{DASP}}$, $\overline{\text{PDIAG}}$

*4 $\overline{\text{CS1FX}}$, $\overline{\text{CS3FX}}$, DA0 to DA2, $\overline{\text{DIOR}}$, $\overline{\text{DIOW}}$, $\overline{\text{DMACK}}$

*5 $\overline{\text{DMARQ}}$, $\overline{\text{HINTRQ}}$, $\overline{\text{IOCS16}}$, $\overline{\text{IORDY}}$

*6 $\overline{\text{RD}}$, $\overline{\text{WR}}$, SUA0 to SUA7, $\overline{\text{CS}}$

*7 D0 to D7

*8 IO0 to IO15

*9 RA0 to RA9, $\overline{\text{RAS0}}$, $\overline{\text{RAS1}}$, $\overline{\text{RAS2}}$, $\overline{\text{CAS0}}$, $\overline{\text{CAS1}}$, $\overline{\text{OE}}$, $\overline{\text{UWE}}$, $\overline{\text{LWE}}$

*10 WOBBLE

*11 ATIPSYNC, BIDATA, BICLK

*12 WRITE, SSP2/1, RAPC, WAPC, H11T0, LDH, ATEST3, ATEST1, WDAT, NWDAT, EFMG

*13 LOUT, ROUT

**1 HISIDE (WD25C32) is made by WESTERN DIGITAL.

Pin Functions

Pin type					
I	Input	B	Bidirectional pin	NC	Not connected
O	Output	P	Power supply	A	Analog pin

Pin No.	Pin name	Type	Pin function
1	V _{SS}	P	Digital system ground (V _{SS})
2	RA4	O	CD-ROM encoder/decoder DRAM address lines
3	RA5	O	
4	RA6	O	
5	RA7	O	
6	RA8	O	
7	RA9	O	
8	V _{DD}	P	Digital system power supply (5 V)
9	V _{SS}	P	Digital system ground (V _{SS})
10	IO0	B	CD-ROM encoder/decoder buffer RAM data lines These pins have built-in pull-up resistors.
11	IO1	B	
12	IO2	B	
13	IO3	B	
14	IO4	B	
15	IO5	B	
16	V _{DD}	P	Digital system power supply (3.3 V)
17	V _{SS}	P	Digital system ground (V _{SS})
18	IO6	B	CD-ROM encoder/decoder buffer RAM data lines These pins have built-in pull-up resistors.
19	IO7	B	
20	IO8	B	
21	IO9	B	
22	IO10	B	
23	V _{SS}	P	
24	V _{DD}	P	Digital system power supply (5 V)
25	IO11	B	CD-ROM encoder/decoder buffer RAM data lines These pins have built-in pull-up resistors.
26	IO12	B	
27	IO13	B	
28	IO14	B	
29	IO15	B	
30	ATIPSYNC	O	ATIP SYNC detection signal
31	BIDATA	B	ATIP demodulator signals
32	BICLK	B	
33	WOBBLE	I	
34	V _{DD}	P	Digital system power supply (5 V)
35	V _{SS}	P	Digital system ground (V _{SS})
36	ACRCNG	O	ATIP CRC result output signal
37	WRITE	I	Write strategy signal control input
38	SSP2	O	Servo sampling pulse output
39	SSP1	O	Servo sampling pulse output
40	RAPC	O	Laser control sampling pulse output
41	WAPC	O	Laser control sampling pulse output
42	H11T0	O	Running OPC sampling pulse

Continued on next page.

LC898093

Continued from preceding page.

Pin No.	Pin name	Type	Pin function
43	LDH	O	Recording laser diode control signal output
44	V _{DD}	P	Analog system power supply (3.3 V)
45	V _{SS}	P	Analog system ground (V _{SS})
46	ATEST3	O	RW output
47	ATEST1	O	Internal monitor test output
48	WDAT	O	Recording laser diode control signal output
49	NWDAT	O	Recording laser diode control signal output (WDAT inverted)
50	V _{DD}	P	Analog system power supply (3.3 V)
51	V _{SS}	P	Analog system ground (V _{SS})
52	V _{DD}	P	Digital system power supply (5 V)
53	V _{SS}	P	Digital system ground (V _{SS})
54	R1	I	Write strategy analog signals
55	VCNT1	I	
56	MDC1	O	
57	PD1	O	
58	$\overline{\text{SWAIT}}$	O	Wait signal to the microcontroller
59	$\overline{\text{INT0}}$	O	Interrupt request signal outputs to the microcontroller
60	$\overline{\text{INT1}}$	O	These are open-drain outputs with built-in pull-up resistors.
61	D0	B	Microcontroller data signal lines These pins have built-in pull-up resistors.
62	D1	B	
63	D2	B	
64	D3	B	
65	D4	B	
66	D5	B	
67	D6	B	
68	V _{DD}	P	Digital system power supply (5 V)
69	V _{SS}	P	Digital system ground (V _{SS})
70	D7	B	Microcontroller data signal line
71	SUA0	I	Command register selection address
72	SUA1	I	
73	SUA2	I	
74	SUA3	I	
75	SUA4	I	
76	SUA5	I	
77	SUA6	I	
78	SUA7	I	
79	$\overline{\text{CS}}$	I	Chip select signal input from the microcontroller
80	$\overline{\text{RD}}$	I	Data read signal input from the microcontroller
81	$\overline{\text{WR}}$	I	Data write signal input from the microcontroller
82	TEST0	I	Test pin. This pin must be tied to V _{SS} .
83	VCNT	I	VCO control voltage
84	R	I	VCO bias resistor connection
85	PD	O	Charge pump output
86	V _{DD}	P	Analog system power supply (3.3 V)
87	V _{SS}	P	Analog system ground (V _{SS})
88	TEST1	I	Test pin. This pin must be tied to V _{SS} .
89	$\overline{\text{RESET}}$	I	Reset input
90	XTALCK0	I	Crystal oscillator circuit input (33.8688 MHz)

Continued on next page.

LC898093

Continued from preceding page.

Pin No.	Pin name	Type	Pin function
91	XTAL0	O	Crystal oscillator circuit output
92	ROUT	O	D/A converter output
93	V _{SS}	P	Analog system ground (V _{SS})
94	V _{DD}	P	Analog system power supply (5 V)
95	LOUT	O	D/A converter output
96	DSL B	O	SLC PWM output
97	SLCIST1	I	EFM slice level setting input
98	SLCIST2	I	
99	V _{SS}	P	Analog system ground (V _{SS})
100	V _{DD}	P	Analog system power supply (3.3 V)
101	SLCO0	O	EFM slice level output
102	SLCO1	O	
103	SLCO2	O	
104	V _{DD}	P	Digital system power supply (5 V)
105	V _{SS}	P	Digital system ground (V _{SS})
106	SLCO3	O	EFM slice level output
107	EFMIN	I	EFM input
108	EFMIN2	I	
109	JITIN	I	Jitter discrimination input
110	JITC	O	Jitter output
111	RPO	O	P/N balance adjustment
112	OPP	I	
113	PCKISTF	I	Frequency comparator charge pump
114	PCKISTP	I	Phase comparator charge pump
115	V _{SS}	P	Analog system ground (V _{SS})
116	V _{DD}	P	Analog system power supply (3.3 V)
117	PDO	O	Charge pump filter
118	PDS1	O	Charge pump selection
119	PDS2	O	
120	V _{DD}	P	Digital system power supply (3.3 V)
121	V _{SS}	P	Digital system ground (V _{SS})
122	PDS3	O	Charge pump selection
123	FR	I	VCO frequency setting
124	TEST2	I	Test pin. This pin must be tied to V _{SS} .
125	TEST3	I	Test pin. This pin must be tied to V _{SS} .
126	TEST4	I	Test pin. This pin must be tied to V _{SS} .
127	AD0	I	AD input
128	RREC	I	Optical signal discrimination input
129	FE	I	FE input
130	TE	I	TE input
131	VREF	I	VREF input
132	AD1	I	AD input
133	V _{SS}	P	Analog system ground (V _{SS})
134	DA0	O	DA output
135	DA1	O	DA output
136	DA2	O	DA output
137	TDO	O	Tracking output

Continued on next page.

LC898093

Continued from preceding page.

Pin No.	Pin name	Type	Pin function
138	V _{DD}	P	Analog system power supply (5 V)
139	V _{SS}	P	Analog system ground (V _{SS})
140	FDO	O	Focus output
141	SLDO	O	Sled output
142	SPDO	O	Spindle output
143	V _{SS}	P	Digital system ground (V _{SS})
144	V _{DD}	P	Digital system power supply (3.3 V)
145	SUBSYNC	O	Subcode SYNC signal
146	EFMG	O	Write gate signal
147	SHOCK	O	Shock detection signal
148	LOCK	O	PLL lock state output
149	DEF	I	Defect detection signal input
150	HFL	I	Mirror detection signal input
151	TES	I	Tracking zero cross signal input
152	EFMO	O	Post-binarization EFM signal output
153	LDON	O	Laser control
154	FG	I	FG input
155	PCK2	O	PCK output
156	V _{DD}	P	Digital system power supply (5 V)
157	V _{SS}	P	Digital system ground (V _{SS})
158	HRST	I	IDE interface signals
159	DASP	B	
160	CS3FX	I	
161	CS1FX	I	
162	DA2	I	
163	DA0	I	
164	PDIAG	B	
165	DAI	I	
166	IOCS16	O	
167	INTRQ	O	
168	DMACK	I	
169	IORDY	O	
170	DIOR	I	
171	DIOW	I	
172	V _{DD}	P	Digital system power supply (5 V)
173	V _{SS}	P	Digital system ground (V _{SS})
174	DMARQ	O	IDE interface signals
175	DD15	B	
176	DD0	B	
177	DD14	B	
178	DD1	B	
179	DD13	B	
180	DD2	B	
181	V _{SS}	P	Digital system ground (V _{SS})
182	DD12	B	IDE interface signals
183	DD3	B	
184	DD11	B	

Continued on next page.

Continued from preceding page.

Pin No.	Pin name	Type	Pin function
185	DD4	B	IDE interface signals
186	DD10	B	
187	DD5	B	
188	DD9	B	
189	DD6	B	
190	V _{DD}	P	Digital system power supply (3.3 V)
191	V _{SS}	P	Digital system ground (V _{SS})
192	DD8	B	IDE interface signals
193	DD7	B	
194	$\overline{\text{RAS0}}$	O	DRAM $\overline{\text{RAS}}$ signal outputs
195	$\overline{\text{RAS1}}$	O	
196	$\overline{\text{RAS2}}$	O	
197	$\overline{\text{LWE}}$	O	DRAM lower write enable
198	V _{DD}	P	Digital system power supply (5 V)
199	V _{SS}	P	Digital system ground (V _{SS})
200	$\overline{\text{UWE}}$	O	DRAM upper write enable
201	$\overline{\text{CAS0}}$	O	DRAM $\overline{\text{CAS}}$ signal output
202	$\overline{\text{CAS1}}$	O	
203	$\overline{\text{OE}}$	O	DRAM output enable
204	RA0	O	CD-ROM encoder/decoder DRAM address lines
205	RA1	O	
206	RA2	O	
207	RA3	O	
208	V _{DD}	P	Digital system power supply (5 V)

Pin Functions

<ATAPI Pins>

CS1FX (input)

Chip select signal that selects the command block register.

CS3FX (input)

Chip select signal that selects the control block register.

DA0 to DA2 (input)

Address for accessing the ATAPI interface registers.

DASP (input/output)

Drive 1 is output and drive 0 is input.

Signal used to indicate to drive 0 that drive 1 exists.

DD0 to DD15 (input/output)

16-bit data bus. This interface supports both 8-bit and 16-bit transfers.

DIOR (input)

Read strobe from the host.

DIOW (input)

Write strobe from the host.

DMACK (input)

Acknowledge signal from the host used during DMA transfers. Corresponds to the DMARQ request signal from the drive.

DMARQ (input)

Drive request signal used during DMA transfers.

HINTRQ (output)

Drive interrupt request signal to the host.

IOCS16 (output)

Signal asserted by the drive when the drive supports 16-bit transfers.

This signal is not asserted during DMA transfers.

IRDY (output)

Indicates that the drive is ready to respond. Used during data transfers.

This signal will be low when the drive is not ready.

PDIAG (input/output)

Signal asserted by drive 1 to indicate to drive 0 that diagnostics have completed.

HRST (input)

Reset signal from the host. The IDE interface is reset by a low-level input to this pin.

<Microcontroller Interface Pins>

CS (input)

Chip select signal from the microcontroller. The microcontroller interface is active when this pin is low.

RD, WR (input)

Connect the microcontroller read and write lines to these inputs.

SWAIT (input)

Wait signal output to the microcontroller. When accessing buffer RAM, the microcontroller must wait if this pin is low.

SUA0 to SUA7 (input)

Internal register address lines

D0 to D7 (input/output)

Microcontroller data bus. These pins have built-in pull-up resistors.

INT0, INT1 (output)

Interrupt request signals output to the microcontroller. $\overline{\text{INT1}}$ can be set to output the ATAPI interrupt by setting INT1EN (Conf-R11 bit 7)

These are open drain outputs with built-in 80 k Ω (at room temperature, 5 V) pull-up resistors.

<Buffer RAM Pins>

I/O0 to I/O15 (input/output)

Buffer RAM data bus. These pins have built-in pull-up resistors.

RA0 to RA9 (output)

Buffer RAM address lines.

RAS0, RAS1, RAS2 (output)

Buffer DRAM RAS outputs. Normally, $\overline{\text{RAS0}}$ is used. However, if two 16-Mbit DRAMs are used, connect the $\overline{\text{RAS0}}$ and $\overline{\text{RAS1}}$ lines to the RAS pins on the DRAMs. If four 16-Mbit DRAMs are used, connect the $\overline{\text{RAS0}}$, $\overline{\text{RAS1}}$, $\overline{\text{RAS2}}$, and $\overline{\text{LWE}}$ lines to the RAS pins on the DRAMs.

CAS0, CAS1 (output)

Buffer DRAM CAS outputs. Normally, $\overline{\text{CAS0}}$ is used. However, if two 16-Mbit DRAMs are used, connect the $\overline{\text{CAS0}}$ output to the CAS pins on the DRAMs. If 2-CAS type DRAMs are used, connect $\overline{\text{CAS0}}$ to UCAS and $\overline{\text{CAS1}}$ to LCAS.

OE (output)

Buffer RAM read output.

UWE, LWE (output)

Buffer RAM write outputs. Connect these to the corresponding pins. If 2-CAS type DRAMs are used, UWE must be connected. (Leave LWE open.)

1. Analog Interface Pins

RREC (input)

Optical discrimination input.

FE (input)

Focus error signal input.

TE (input)

Tracking error signal input.

VREF (input)

Input for the servo system reference voltage.

AD0, AD1 (input)

A/D converter auxiliary inputs.

DA0, DA1, DA2 (input)

D/A converter auxiliary inputs.

TES (input)

TES comparator input.

TDO (output)

Tracking control signal output.

FDO (output)

Focus control signal output.

SLDO (output)

Sled control signal output.

SPDO (output)

Spindle control signal output.

2. EFM Input Block Pins

EFMIN (input)

EFM signal input.

The high-frequency components of the RF signal acquired from the RF amplifier are cut with a capacitor, and this pin inputs that signal biased by the value of the SLCO0 to SLCO3 outputs passed through a low-pass filter.

EFMIN2 (input)

Used to change the time constant of the low-pass filter.

SLCIST1, SLCIST2 (input)

Slice level controller charge pump bias resistor connection.

SLCO0, SLCO1, SLCO2, SLCO3 (output)

Slice level controller charge pump outputs.

These levels bias the RF signal input to the EFMIN pin after being passed through a low-pass filter.

DSL B (output)

Slice level control PWM output.

EFMO (output)

Post-binarization EFM signal output. (For monitoring)

3. EFM Clock Generation Block Pins

FR (input)

EFM reproduction PLL VCO bias resistor connection.

PDO, PDS1, PDS2, PDS3 (output)

EFM reproduction PLL lag-lead filter connection.

PCKISTF (input)

EFM reproduction PLL frequency comparator charge pump bias resistor connection.

PCKISTP (input)

EFM reproduction PLL phase comparator charge pump bias resistor connection.

RPO (output)

P/N balance adjustment.

OPP (input)

P/N balance adjustment.

PCK2 (output)

EFM reproduction bit clock output.

4. Jitter Discrimination Pins

JITIN (input)

Jitter discrimination input.

JITC (output)

Jitter output.

5. Spindle Speed Detection Pins

FG (input)

Input for the speed monitor signal from the spindle driver.

6. Audio Interface Pins

LOUT, ROUT (output)

Left and right channel audio signal outputs.

7. RF Amplifier Interface Pins

LDON (output)

RF amplifier interface.

8. Write Strategy Pins

WRITE, SSP2/1, RAPC, WAPC, H11T0, LDH, ATEST3, 1, WDAT, NWDAT (I/O)

Write strategy signal connections.

9. ATIP Decoder Related Pins

ATIPSYNC (output)

ATIP synchronization detection signal. (For monitoring)

BIDATA, BICLK (I/O)

Input mode: Input for the biphase data and biphase clock when an external ATIP demodulator is used.

Output mode: Output of the biphase data and biphase clock when the internal ATIP demodulator is used. (For monitoring)

WOBBLE (input)

Wobble signal input when the internal ATIP demodulator is used.

ACRCNG (output)

Outputs the result of the ATIP decoder CRC check. (For monitoring)

<Other Pins>

RESET (input)

The LC898093 reset input. A low level input resets the LC898093.

This pin must be held low for at least 1 μ s when power is first applied.

TEST4 to TEST0 (input)

Test inputs. These pins must be connected to ground.

XTALCKO (input), **XTALO** (output)

Drive these pins at 33.8688 MHz. This signal is used, without modification, as main clock for the CD-ROM encoder and decoder blocks, including the DRAM interface.

Consult the manufacturer of the oscillator element concerning the design of the oscillator circuit.

R, VCNT, PDO, R1, VCNT1, PD1, MDC1 (I/O)

Clock reproduction PLL circuit pins.

SUBSYNC (output)

Subcode SYNC output signal from the CIRC encoder during encoding. (For monitoring)

EFMG (output)

Outputs a high-level signal (5 V) during write operations.

SHOCK (output)

Outputs a high level (5 V) when a mechanical shock is detected during decoding.

LOCK (output)

Outputs a high level (5 V) when the PLL circuit is locked.

DEF (input)

Inputs the defect detection signal.

HFL (input)

Inputs the mirror detection signal.

- Specifications of any and all SANYO products described or contained herein stipulate the performance, characteristics, and functions of the described products in the independent state, and are not guarantees of the performance, characteristics, and functions of the described products as mounted in the customer's products or equipment. To verify symptoms and states that cannot be evaluated in an independent device, the customer should always evaluate and test devices mounted in the customer's products or equipment.
- SANYO Electric Co., Ltd. strives to supply high-quality high-reliability products. However, any and all semiconductor products fail with some probability. It is possible that these probabilistic failures could give rise to accidents or events that could endanger human lives, that could give rise to smoke or fire, or that could cause damage to other property. When designing equipment, adopt safety measures so that these kinds of accidents or events cannot occur. Such measures include but are not limited to protective circuits and error prevention circuits for safe design, redundant design, and structural design.
- In the event that any or all SANYO products (including technical data, services) described or contained herein are controlled under any of applicable local export control laws and regulations, such products must not be exported without obtaining the export license from the authorities concerned in accordance with the above law.
- No part of this publication may be reproduced or transmitted in any form or by any means, electronic or mechanical, including photocopying and recording, or any information storage or retrieval system, or otherwise, without the prior written permission of SANYO Electric Co., Ltd.
- Any and all information described or contained herein are subject to change without notice due to product/technology improvement, etc. When designing equipment, refer to the "Delivery Specification" for the SANYO product that you intend to use.
- Information (including circuit diagrams and circuit parameters) herein is for example only; it is not guaranteed for volume production. SANYO believes information herein is accurate and reliable, but no guarantees are made or implied regarding its use or any infringements of intellectual property rights or other rights of third parties.

This catalog provides information as of August, 2000. Specifications and information herein are subject to change without notice.