

SCHOTTKY BARRIER DUAL DIODE

DESCRIPTION:

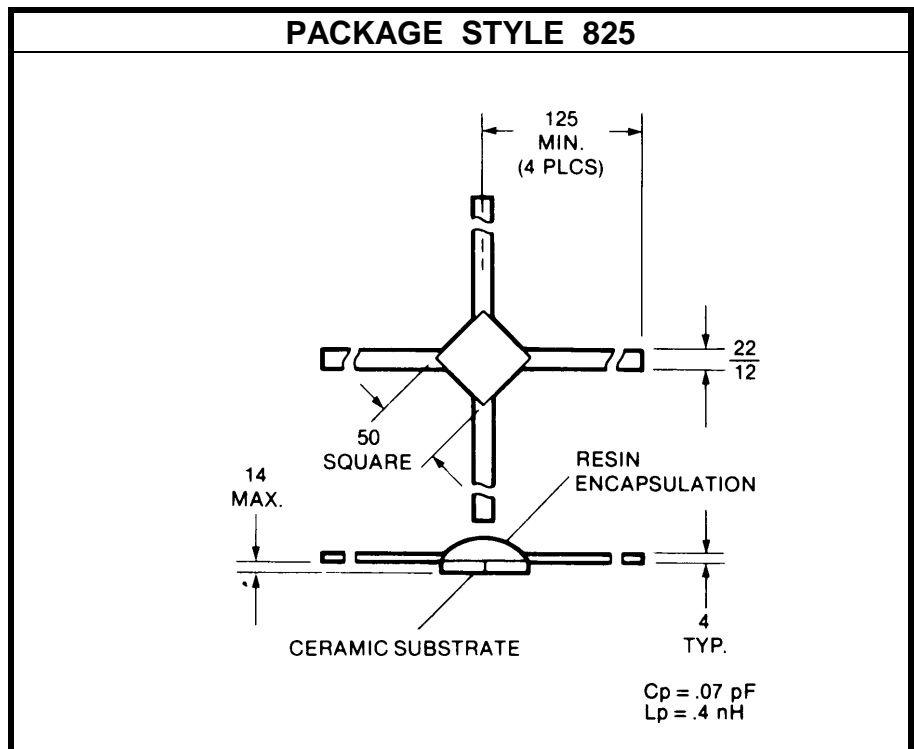
The **5082-2271** is a Low Barrier Schottky Barrier Dual Diode Designed for Single Balanced Mixer, Phase Detector and Modulator Applications up to 4 GHz.

FEATURES INCLUDE:

- Low Barrier
- Excellent Matching
- Replacement for **DMF-3070**

MAXIMUM RATINGS

I_F	100 mA
P_{DISS}	75 mW @ $T_C = 25^\circ\text{C}$ per Junction
T_J	-65°C to $+175^\circ\text{C}$
T_{STG}	-65°C to $+175^\circ\text{C}$
T_{SOLDER}	$+235^\circ\text{C}$ for 10 seconds


CHARACTERISTICS $T_C = 25^\circ\text{C}$

SYMBOL	TEST CONDITIONS	MINIMUM	TYPICAL	MAXIMUM	UNITS
V_F	$I_F = 1 \text{ mA}$	220	250	290	mV
V_{BR}	$I_R = 10 \mu\text{A}$	2			V
C_T	$V_R = 0 \text{ V}$ $f = 1.0 \text{ MHz}$			0.50	pF
R_D	$I_F = 10 \text{ mA}$			5	Ω