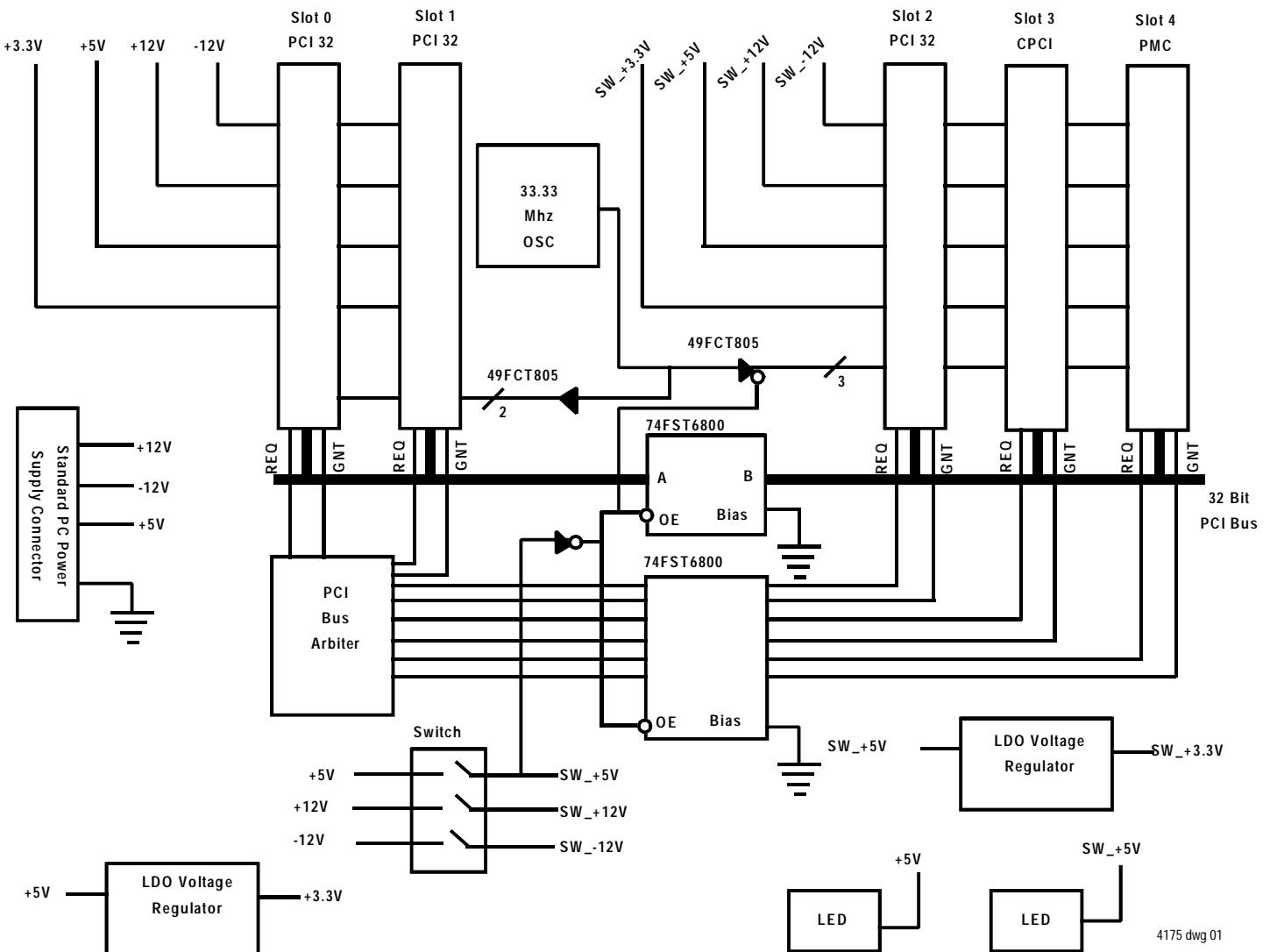




FEATURES:

- Five 32-bit 5V PCI slots including:
 - Three PCI card edge slots (Slots 0, 1, 2)
 - One compact PCI slot (Slot 3)
 - One PCI mezzanine card (PMC) slot (Slot 4)
- Any PCI slot can act as a master
- Pushbutton reset
- Uses standard PC power supply connectors
- 5 Volt to 3.3 volt regulator supports 3.3V PCI devices
- In system programmable PCI bus arbiter
- On-board switch allows power-down of slots 2, 3, and 4 while slots 0 and 1 remain energized

BLOCK DIAGRAM



ORDERING INFORMATION

