



# INFRARED REMOTE CONTROL RECEIVER MODULES

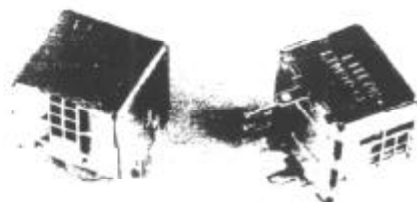
LTM-9034 SERIES SIDE VIEWING

## FEATURES

- EASY TO HANDLE SMALL TYPE MODULE.
- EXCELLENT MECHANICALLY STRENGTH AND ELECTRICAL STABILITY.
- CAN BE INSTALLED DIRECTLY TO EQUIPMENT.
- RECEIVE INFRARED MODULATED PULSES.

## DESCRIPTION

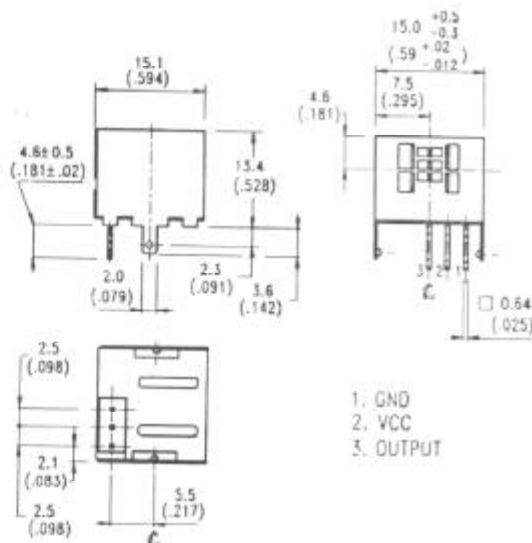
- The module is a small type infrared remote control system receiver which has been developed and designed by utilizing the latest hybrid technology.
- It is a single unit type module which incorporates a PIN diode and a receiving preamplifier IC.
- It can be used for TVs, VTRs, audio equipment, air conditioners, car stereo radio, toys, home computers and all other equipments requiring remote control.



## CARRIER FREQUENCY

LTM-9034-1	33 KHZ
LTM-9034-3	36 KHZ
LTM-9034-4	38 KHZ
LTM-9034-9	40 KHZ
LTM-9034-2	56.8 KHZ

## PACKAGE DIMENSIONS



## TECHNICAL INFORMATION

- See page 4-9

## NOTES:

1. All dimensions are in millimeters (inches).
2. Tolerance is ±0.25mm (.010") unless otherwise noted.

# TECHNICAL INFORMATION

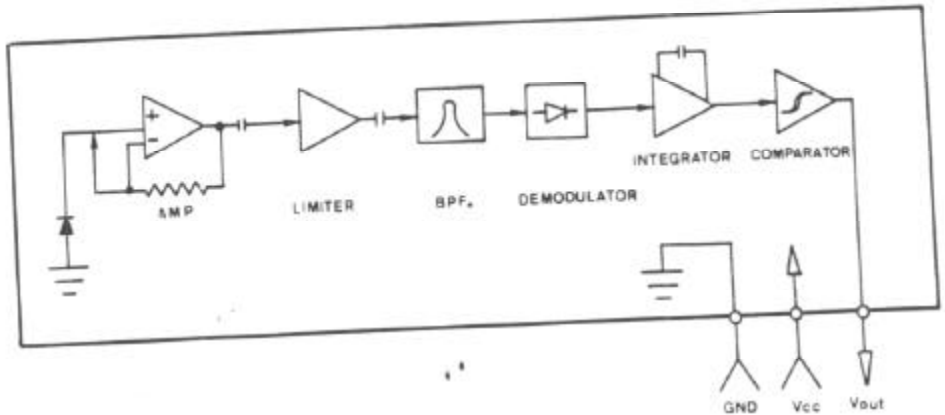
## 1. ABSOLUTE MAXIMUM RATINGS ( $T_a = 25^\circ\text{C}$ )

• Supply voltage	$V_{cc}$	6.3	V
• Storage temperature	$T_{stg}$	-20 to +70	$^\circ\text{C}$
• Operating temperature	$T_{opr}$	-10 to +60	$^\circ\text{C}$

## 2. RECOMMENDED OPERATING CONDITION

• Supply voltage	$V_{cc}$	4.7 to 5.3	V
------------------	----------	------------	---

## 3. MODULE SCHEMATIC



## 4. EQUIVALENT CIRCUIT

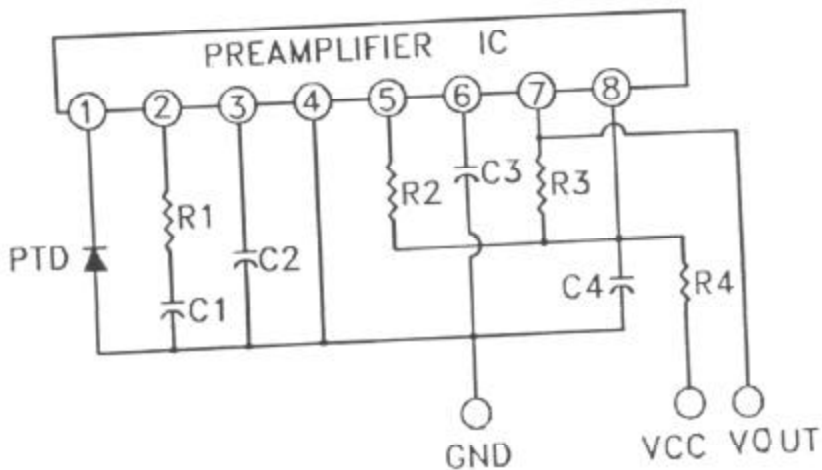


Fig. 3-3 LTM-9034 Series

