

MN673794

1. Overview

This IC is used to process a variety of items including the following ones: NTSC/PAL signal (Y/C and composite video) I/O, 3D Y/C separation, TBC, DD conversion, frame sync, sync/clock generation, Rec 656 I/O, and DV input.

■ Features

- Analog input block
 - Composite video/Component Y input (10 bits at 27.0 MHz)
 - Component C input (10 bits at 27.0 MHz)

- Analog control block
 - AGC (Auto Gain Control) control, clamp control, ACC (Auto Color Control) control

- Digital I/O block
 - Digital video I/O (ITU-R Rec 656: Y/Cr/Cb multiple, 8 bits at 27 MHz)

- Signal processing block
 - 3D Y/C separation (image movement adaptive processing: NTSC), 2D Y/C separation (PAL)
 - TBC (Time Base Corrector) processing (velocity error correction/jitter correction)
 - Frame sync processing (See Note.)
 - NR processing (Y/C recursive NR)
 - Y/C separation is performed only in two dimensions (due to memory sharing) when the NR function is in use.

- Copyright VBLK detection
 - Macrovision (AGC pulse and color stripe) detection
 - VBID detection
 - Closed caption detection
 - WSS detection

Note: This IC uses a 27-MHz fixed clock. Therefore, input signals into the IC are not synchronized with output signals from the IC. Therefore, a frame-skip or frame-hold occurs to standard and nonstandard signals, the frequency of occurrence of which varies with the difference in frame frequency between input signals and the 27-MHz fixed clock.

If the user does not want the occurrence of any frame-skip or frame-hold to standard signals, externally generate 27-MHz clock pulses synchronized with the frames of the input signals, and input the clock pulses into the IC.

A frame-skip refers to loss of the image in a single frame.

A frame-hold refers to the duplicated output of the image in the previous frame.

2. Specifications

2.1 Electrical Characteristics

- Maximum operating frequency
27.0 MHz

- Operating supply voltage
 - 3.0 V to 3.6 V (Analog power supply)
 - 3.0 V to 3.6 V (Digital I/O power supply 1)
 - 2.0 V to 2.4 V (Digital I/O power supply 2: DV interface only)
3.0 V to 3.6 V when DV interface is not in use.
 - 1.65 V to 1.95 V (Internal digital power supply)
 - 2.3 V to 2.7 V (Internal DRAM power supply)

- Package
 - 208-pin QFP with 28-mm square (0.5-mm pitch)
 - (Package code No. LQFP208-P-2828)

2.2 Pin Descriptions

Table 2.2 shows the explanation of the pins of the IC.

Table 2.2 Pin Descriptions (1/4)

Pin No.	Pin name	I/O	Voltage	Type	Drive	Function	Clock	BST
1	CLK18O2	O	3.3 V	CMOS	4 mA	18-MHz clock output 2	18 MHz	-
2	VDD3	Power supply	3.3 V	-	-	Digital I/O (3.3 V) use	-	-
3	CLK45I	I	-	Crystal interface	-	4.5-MHz clock input (VSS when not used)	4.5 MHz	-
4	VSS	GND	-	-	-	Digital use	-	-
5	VDD1	Power supply	1.8 V	-	-	Internal digital use	-	-
6	DSF7	I/O	2.2 V	CMOS-100 kΩ PD	4 mA	Shuffling data I/O (MSB) (open or VSS when not used)	18 MHz	YES
7	DSF6	I/O	2.2 V	CMOS-100 kΩ PD	4 mA	Shuffling data I/O (open or VSS when not used)	18 MHz	YES
8	VSS	GND	-	-	-	Digital use	-	-
9	DSF5	I/O	2.2 V	CMOS-100 kΩ PD	4 mA	Shuffling data I/O (open or VSS when not used)	18 MHz	YES
10	DSF4	I/O	2.2 V	CMOS-100 kΩ PD	4 mA	Shuffling data I/O (open or VSS when not used)	18 MHz	YES
11	VDD2	Power supply	2.2 V	-	-	Digital I/O (2.2 V) use	-	-
12	DSF3	I/O	2.2 V	CMOS-100 kΩ PD	4 mA	Shuffling data I/O (open or VSS when not used)	18 MHz	YES
13	DSF2	I/O	2.2 V	CMOS-100 kΩ PD	4 mA	Shuffling data I/O (open or VSS when not used)	18 MHz	YES
14	VSS	GND	-	-	-	Digital use	-	-
15	DSF1	I/O	2.2 V	CMOS-100 kΩ PD	4 mA	Shuffling data I/O (open or VSS when not used)	18 MHz	YES
16	DSF0	I/O	2.2 V	CMOS-100 kΩ PD	4 mA	Shuffling data I/O (LSB) (open or VSS when not used)	18 MHz	YES
17	VDD2	Power supply	2.2 V	-	-	Digital I/O (2.2 V) use	-	-
18	CASHD	O	2.2 V	CMOS	2 mA	CAS HD output	18 MHz	YES
19	CASVD	O	2.2 V	CMOS	2 mA	CAS VD output	18 MHz	YES
20	VSS	GND	-	-	-	Digital use	-	-
21	CLK188	O	2.2 V	CMOS	2 mA	Clock	-	-
22	CLK450	O	2.2 V	CMOS	2 mA	Clock	-	-
23	VDD2	Power supply	2.2 V	-	-	Digital I/O (2.2 V) use	-	-
24	CLK18O1	O	2.2 V	CMOS	4 mA	18-MHz clock output 1	18 MHz	-
25	VSS	GND	-	-	-	Digital use	-	-
26	AVSS1	GND	-	-	-	PLL (18 MHz) use	-	-
27	TPLL	I/O	-	Analog	-	PLL (18 MHz) test use	-	-
28	AVDD1	Power supply	3.3 V	-	-	PLL (18 MHz) use	-	-
29	AVSS2	GND	3.3 V	-	-	D/A (CLK) use	-	-
30	VREFCK	I	-	Analog	-	D/A (CLK) reference voltage input	-	-
31	IREFCK	I	-	Analog	-	D/A (CLK) bias current setting	-	-
32	COMPCK	I	-	Analog	-	D/A (CLK) stabilization	-	-
33	CK450	O	-	Analog	-	4.5-MHz clock output	-	-
34	AVDD2	Power supply	3.3 V	-	-	D/A (CLK) use	-	-
35	AVSS3	GND	3.3 V	-	-	D/A (COUT) use	-	-
36	VREFC	I	-	Analog	-	D/A (COUT) reference voltage input	-	-
37	IREFC	I	-	Analog	-	D/A (COUT) bias current setting	-	-
38	COMP	I	-	Analog	-	D/A (COUT) stabilization	-	-
39	OUTC	O	-	Analog	-	C output (analog)	27 MHz	-
40	AVDD3	Power supply	3.3 V	-	-	D/A (COUT) use	-	-
41	AVSS4	GND	-	-	-	D/A (YOUT) use	-	-
42	VREFY	I	-	Analog	-	D/A (YOUT) reference voltage input	-	-
43	IREFY	I	-	Analog	-	D/A (YOUT) bias current setting	-	-
44	COMPY	I	-	Analog	-	D/A (YOUT) stabilization	-	-
45	OUTY	O	-	Analog	-	Y output (analog)	27 MHz	-
46	AVDD4	Power supply	3.3 V	-	-	D/A (YOUT) use	-	-
47	AGCO	O	-	Analog	-	AGC control output	1 MHz	-
48	AVSS5	GND	-	-	-	Voltage dividing resistor DAC (ACC, CLAMP, and AGC) use	-	-
49	CLPOS	O	-	Analog	-	Clamp control output (for sync tip clamp use)	1 MHz	-
50	VREFMA	I	-	Analog	-	Reference voltage input for voltage dividing resistor DAC use (Capacitance coupling to AVSS)	-	-
51	AVDD5	Power supply	3.3 V	-	-	Voltage dividing resistor DAC (ACC, CLAMP, and AGC) use	-	-
52	ACCO	O	-	Analog	-	ACC control output	1 MHz	-

Table 2.2 Pin Descriptions (2/4)

Pin No.	Pin name	I/O	Voltage	Type	Drive	Function	Clock	BST
53	AVDD6	Power supply	3.3 V	Analog	-	A/D (C) use	-	-
54	CIN	I	-	Analog	-	C input (analog)	27 MHz	-
55	AVSS6	GND	-	-	-	A/D (C) use	-	-
56	VREFLC	I	-	Analog	-	A/D (C) reference voltage low-level input	-	-
57	VREFMLC	I	-	Analog	-	A/D (C) intermediate reference potential input (AVSS capacitance connection)	-	-
58	VREFMC	I	-	Analog	-	A/D (C) intermediate reference potential input (AVSS capacitance connection)	-	-
59	VREFHMC	I	-	Analog	-	A/D (C) intermediate reference potential input (AVSS capacitance connection)	-	-
60	VREFHC	I	-	Analog	-	A/D (C) reference voltage high-level input	-	-
61	AVSS7	GND	-	-	-	A/D (C) use	-	-
62	AVDD7	Power supply	3.3 V	Analog	-	A/D (C) use	-	-
63	AVDD8	Power supply	3.3 V	-	-	A/D (Y and composite) use	-	-
64	VIDEO	I	-	Analog	-	Composite video input (analog)	27 MHz	-
65	AVSS8	GND	-	-	-	A/D (Y and composite) use	-	-
66	VREFLY	I	-	Analog	-	A/D (Y and composite) reference voltage low-level input	-	-
67	VREFMLY	I	-	Analog	-	A/D (Y and composite) intermediate reference potential input (AVSS capacitance connection)	-	-
68	VREFMY	I	-	Analog	-	A/D (Y and composite) intermediate reference potential input (AVSS capacitance connection)	-	-
69	VREFHMY	I	-	Analog	-	A/D (Y and composite) intermediate reference potential input (AVSS capacitance connection)	-	-
70	VREFHY	I	-	Analog	-	A/D (Y and composite) reference voltage high-level input	-	-
71	AVSS9	GND	-	-	-	A/D (Y and composite) use	-	-
72	AVDD9	Power supply	3.3 V	-	-	A/D (Y and composite) use	-	-
73	VSS	GND	-	-	-	Digital use	-	-
74	ANACLK	O	3.3 V	CMOS	2 mA	6.75-MHz output	-	-
75	VDD3	Power supply	3.3 V	-	-	Digital I/O (3.3 V) use	-	-
76	GCP	O	3.3 V	CMOS	2 mA	Clamp pulse (sync chip) output	27 MHz	-
77	TESTIO9	I/O	3.3 V	CMOS-100 kΩ PD	4 mA	Test I/O (MSB) (open or VSS)	-	-
78	TESTIO8	I/O	3.3 V	CMOS-100 kΩ PD	4 mA	Test I/O (open or VSS)	-	-
79	VSS	GND	-	-	-	Digital use	-	-
80	TESTIO7	I/O	3.3 V	CMOS-100 kΩ PD	4 mA	Test I/O (open or VSS)	-	-
81	TESTIO6	I/O	3.3 V	CMOS-100 kΩ PD	4 mA	Test I/O (open or VSS)	-	-
82	VDDI	Power supply	1.8 V	-	-	Internal digital use	-	-
83	TESTIO5	I/O	3.3 V	CMOS-100 kΩ PD	4 mA	Test I/O (open or VSS)	-	-
84	TESTIO4	I/O	3.3 V	CMOS-100 kΩ PD	4 mA	Test I/O (open or VSS)	-	-
85	VSS	GND	-	-	-	Digital use	-	-
86	VDDDRAM0	Power supply	2.5 V	-	-	DRAM (5 Mbits) use	-	-
87	VSSDRAM0	GND	-	-	-	Digital use	-	-
88	TESTIO3	I/O	3.3 V	CMOS-100 kΩ PD	4 mA	Test I/O (open or VSS)	-	-
89	TESTIO2	I/O	3.3 V	CMOS-100 kΩ PD	4 mA	Test I/O (open or VSS)	-	-
90	VDD3	Power supply	3.3 V	-	-	Digital I/O (3.3 V) use	-	-
91	TESTIO1	I/O	3.3 V	CMOS-100 kΩ PD	4 mA	Test I/O (open or VSS)	-	-
92	TESTIO0	I/O	3.3 V	CMOS-100 kΩ PD	4 mA	Test I/O (LSB) (open or VSS)	-	-
93	VSS	GND	-	-	-	Digital use	-	-
94	TCK	I	3.3 V	CMOS-100 kΩ PD	-	Boundary scan clock input	-	-
95	TDO	O	3.3 V	3-state CMOS	2 mA	Boundary scan data output	-	-
96	VDDI	Power supply	1.8 V	-	-	Internal digital use	-	-
97	TDI	I	3.3 V	CMOS-100 kΩ PU	-	Boundary scan data input	-	-
98	TRST	I	3.3 V	CMOS-100 kΩ PU	-	Boundary scan reset input (VSS or RST when not used)	-	-
99	TMS	I	3.3 V	CMOS-100 kΩ PU	-	Boundary scan mode input	-	-
100	VSS	GND	-	-	-	Digital use	-	-
101	TEST15	I	3.3 V	CMOS-100 kΩ PD	-	Test mode (MSB) (open or VSS)	-	-
102	TEST4	I	3.3 V	CMOS-100 kΩ PD	-	Test mode (open or VSS)	-	-
103	TEST3	I	3.3 V	CMOS-100 kΩ PD	-	Test mode (open or VSS)	-	-
104	TEST12	I	3.3 V	CMOS-100 kΩ PD	-	Test mode (open or VSS)	-	-

When the boundary scan function is not used, set the TRST pin (pin 98) to reset input or Vss.

Table 2.2 Pin Descriptions (3/4)

Pin No.	Pin name	I/O	Voltage	Type	Drive	Function	Clock	BST
105	TEST1	I	3.3 V	CMOS-100 kΩ PD	-	Test mode (open or VSS)	-	-
106	TEST0	I	3.3 V	CMOS-100 kΩ PD	-	Test mode (LSB) (open or VSS)	-	-
107	VDDI	Power supply	1.8 V	-	-	Internal digital use	-	-
108	VSS	GND	-	-	-	Digital use	-	-
109	MINTC1	I	3.3 V	CMOS	-	Test input (VSS)	-	-
110	MINTIN1	I	3.3 V	CMOS	-	Test input (VSS)	-	-
111	MINTEST	I	3.3 V	CMOS-30 kΩ PD	-	Test input (open or VSS)	-	-
112	VDD3	Power supply	3.3 V	-	-	Digital I/O (3.3 V) use	-	-
113	PDRAM0	I	3.3 V	CMOS-100 kΩ PD	-	DRAM test input (open or VSS)	-	-
114	PDRAM1	I	3.3 V	CMOS-100 kΩ PD	-	DRAM test input (open or VSS)	-	-
115	VSSDRAM1	GND	-	-	-	Digital use	-	-
116	VDDDRAM1	Power supply	2.5 V	-	-	DRAM (5 Mbits) use	-	-
117	NTDRAM	I	3.3 V	CMOS-100 kΩ PD	-	DRAM test input (open or VSS)	-	-
118	VSS	GND	-	-	-	Digital use	-	-
119	VDDI	Power supply	1.8 V	-	-	Internal digital use	-	-
120	CLK27I	I	3.3 V	CMOS	-	27-MHz clock for Rec 656 input (VSS when not used)	27 MHz	-
121	VSS	GND	-	-	-	Digital use	-	-
122	R656IN7	I	3.3 V	CMOS-100 kΩ PD	-	Digital video (Rec 656) input (MSB) (open or VSS when not used)	27 MHz	YES
123	R656IN6	I	3.3 V	CMOS-100 kΩ PD	-	Digital video (Rec 656) input (open or VSS when not used)	27 MHz	YES
124	VDD3	Power supply	3.3 V	-	-	Digital I/O (3.3 V) use	-	-
125	R656IN5	I	3.3 V	CMOS-100 kΩ PD	-	Digital video (Rec 656) input (open or VSS when not used)	27 MHz	YES
126	R656IN4	I	3.3 V	CMOS-100 kΩ PD	-	Digital video (Rec 656) input (open or VSS when not used)	27 MHz	YES
127	VSS	GND	-	-	-	Digital use	-	-
128	VDDDRAM2	Power supply	2.5 V	-	-	DRAM (7 Mbits) use	-	-
129	VSSDRAM2	GND	-	-	-	Digital use	-	-
130	R656IN3	I	3.3 V	CMOS-100 kΩ PD	-	Digital video (Rec 656) input (open or VSS when not used)	27 MHz	YES
131	R656IN2	I	3.3 V	CMOS-100 kΩ PD	-	Digital video (Rec 656) input (open or VSS when not used)	27 MHz	YES
132	VDD3	Power supply	3.3 V	-	-	Digital I/O (3.3 V) use	-	-
133	R656IN1	I	3.3 V	CMOS-100 kΩ PD	-	Digital video (Rec 656) input (open or VSS when not used)	27 MHz	YES
134	R656IN0	I	3.3 V	CMOS-100 kΩ PD	-	Digital video (Rec 656) input (LSB) (open or VSS when not used)	27 MHz	YES
135	VSS	GND	-	-	-	Digital use	-	-
136	CLK27O	O	3.3 V	CMOS	4 mA	27-MHz clock output	27 MHz	-
137	VDDI	Power supply	1.8 V	-	-	Internal digital use	-	-
138	R656OUT7	O	3.3 V	CMOS	4 mA	Digital video (Rec 656) output (MSB)	27 MHz	YES
139	R656OUT6	O	3.3 V	CMOS	4 mA	Digital video (Rec 656) output	27 MHz	YES
140	VSS	GND	-	-	-	Digital use	-	-
141	R656OUT5	O	3.3 V	CMOS	4 mA	Digital video (Rec 656) output	27 MHz	YES
142	R656OUT4	O	3.3 V	CMOS	4 mA	Digital video (Rec 656) output	27 MHz	YES
143	VDD3	Power supply	3.3 V	-	-	Digital I/O (3.3 V) use	-	-
144	R656OUT3	O	3.3 V	CMOS	4 mA	Digital video (Rec 656) output	27 MHz	YES
145	R656OUT2	O	3.3 V	CMOS	4 mA	Digital video (Rec 656) output	27 MHz	YES
146	VSS	GND	-	-	-	Digital use	-	-
147	R656OUT1	O	3.3 V	CMOS	4 mA	Digital video (Rec 656) output	27 MHz	YES
148	R656OUT0	O	3.3 V	CMOS	4 mA	Digital video (Rec 656) output (LSB)	27 MHz	YES
149	VDDI	Power supply	1.8 V	-	-	Internal digital use	-	-
150	VSS	GND	-	-	-	Digital use	-	-
151	HD	I/O	3.3 V	CMOS-100 kΩ PU	4 mA	Test I/O (open or VDD3)	27 MHz	YES
152	VD	I/O	3.3 V	CMOS-100 kΩ PU	4 mA	Test I/O (open or VDD3)	27 MHz	YES
153	VDD3	Power supply	3.3 V	-	-	Digital I/O (3.3 V) use	-	-
154	APCE	O	3.3 V	3-state CMOS	2 mA	Phase error output	27 MHz	-
155	VSS	GND	-	-	-	Digital use	-	-
156	CSYNCO	O	3.3 V	CMOS	2 mA	Composite sync detection output	27 MHz	YES

Table 2.2 Pin Descriptions (4/4)

Pin No.	Pin name	I/O	Voltage	Type	Drive	Function	Clock	BST
157	MICONRWW	O	3.3 V	CMOS	2 mA	Microcontroller interrupt (write) sync signal output	27 MHz	YES
158	VDD3	Power supply	3.3 V	-	-	Digital I/O (3.3 V) use	-	-
159	MICONRWR	O	3.3 V	CMOS	2 mA	Microcontroller interrupt (read) sync signal output	27 MHz	YES
160	VSSDRAM3	GND	-	-	-	Digital use	-	-
161	VDDDRAM3	Power supply	2.5 V	-	-	DRAM (7 Mbits) use	-	-
162	RST	I	3.3 V	CMOS-100 kΩ PU	-	Reset input	-	-
163	VSS	GND	-	-	-	Digital use	-	-
164	CLK27XI	I	-	Crystal interface	-	27-MHz clock (crystal) input	27 MHz	-
165	CLK27XO	O	-	Crystal interface	-	27-MHz clock (crystal) output	27 MHz	-
166	VDDI	Power supply	1.8 V	-	-	Internal digital use	-	-
167	VSS	GND	-	-	-	Digital use	-	-
168	MAD6	I/O	3.3 V	Schmitt CMOS	4 mA	Microcontroller interface data/address input (MSB)	-	YES
169	MAD5	I/O	3.3 V	Schmitt CMOS	4 mA	Microcontroller interface data/address input	-	YES
170	MAD4	I/O	3.3 V	Schmitt CMOS	4 mA	Microcontroller interface data/address input	-	YES
171	VDD3	Power supply	3.3 V	-	-	Digital I/O (3.3 V) use	-	-
172	MAD3	I/O	3.3 V	Schmitt CMOS	4 mA	Microcontroller interface data/address input	-	YES
173	MAD2	I/O	3.3 V	Schmitt CMOS	4 mA	Microcontroller interface data/address input	-	YES
174	MAD1	I/O	3.3 V	Schmitt CMOS	4 mA	Microcontroller interface data/address input	-	YES
175	MAD0	I/O	3.3 V	Schmitt CMOS	4 mA	Microcontroller interface data/address input (LSB)	-	YES
176	VSS	GND	-	-	-	Digital use	-	-
177	MDA15	I/O	3.3 V	CMOS	8 mA	Microcontroller interface data/address I/O (MSB)	-	YES
178	MDA14	I/O	3.3 V	CMOS	8 mA	Microcontroller interface data/address I/O	-	YES
179	VDDI	Power supply	1.8 V	-	-	Internal digital use	-	-
180	MDA13	I/O	3.3 V	CMOS	8 mA	Microcontroller interface data/address I/O	-	YES
181	MDA12	I/O	3.3 V	CMOS	8 mA	Microcontroller interface data/address I/O	-	YES
182	VSS	GND	-	-	-	Digital use	-	-
183	MDA11	I/O	3.3 V	CMOS	8 mA	Microcontroller interface data/address I/O	-	YES
184	MDA10	I/O	3.3 V	CMOS	8 mA	Microcontroller interface data/address I/O	-	YES
185	VDD3	Power supply	3.3 V	-	-	Digital I/O (3.3 V) use	-	-
186	MDA9	I/O	3.3 V	CMOS	8 mA	Microcontroller interface data/address I/O	-	YES
187	MDA8	I/O	3.3 V	CMOS	8 mA	Microcontroller interface data/address I/O	-	YES
188	VSS	GND	-	-	-	Digital use	-	-
189	MDA7	I/O	3.3 V	CMOS	8 mA	Microcontroller interface data/address I/O	-	YES
190	MDA6	I/O	3.3 V	CMOS	8 mA	Microcontroller interface data/address I/O	-	YES
191	VDDI	Power supply	1.8 V	-	-	Internal digital use	-	-
192	MDA5	I/O	3.3 V	CMOS	8 mA	Microcontroller interface data/address I/O	-	YES
193	MDA4	I/O	3.3 V	CMOS	8 mA	Microcontroller interface data/address I/O	-	YES
194	VSS	GND	-	-	-	Digital use	-	-
195	MDA3	I/O	3.3 V	CMOS	8 mA	Microcontroller interface data/address I/O	-	YES
196	MDA2	I/O	3.3 V	CMOS	8 mA	Microcontroller interface data/address I/O	-	YES
197	VDD3	Power supply	3.3 V	-	-	Digital I/O (3.3 V) use	-	-
198	MDA1	I/O	3.3 V	CMOS	8 mA	Microcontroller interface data/address I/O	-	YES
199	MDA0	I/O	3.3 V	CMOS	8 mA	Microcontroller interface data/address I/O (LSB)	-	YES
200	VSS	GND	-	-	-	Digital use	-	-
201	MCSALE	I/O	3.3 V	Schmitt CMOS	-	Microcontroller interface chip select input	-	YES
202	MNRE	I/O	3.3 V	Schmitt CMOS	-	Microcontroller interface read input	-	YES
203	MNWENBW	I/O	3.3 V	Schmitt CMOS	-	Microcontroller interface write input	-	YES
204	MICOMSEL	I/O	3.3 V	Schmitt CMOS	-	Microcontroller interface selection input	-	YES
205	NC3	I/O	3.3 V	Schmitt CMOS	-	Microcontroller interface mode selection input (Normal mode: VSS)	-	-
206	VDDI	Power supply	1.8 V	-	-	Internal digital use	-	-
207	INF	I	3.3 V	CMOS-100 kΩ PD	-	DV interface frame signal input (open or VSS when not used)	24 MHz	YES
208	FRP	O	3.3 V	CMOS	4 mA	FRP output	18 MHz	YES

2.3 Pin Assignment

Figure 2.3 shows the pin assignment of the IC.

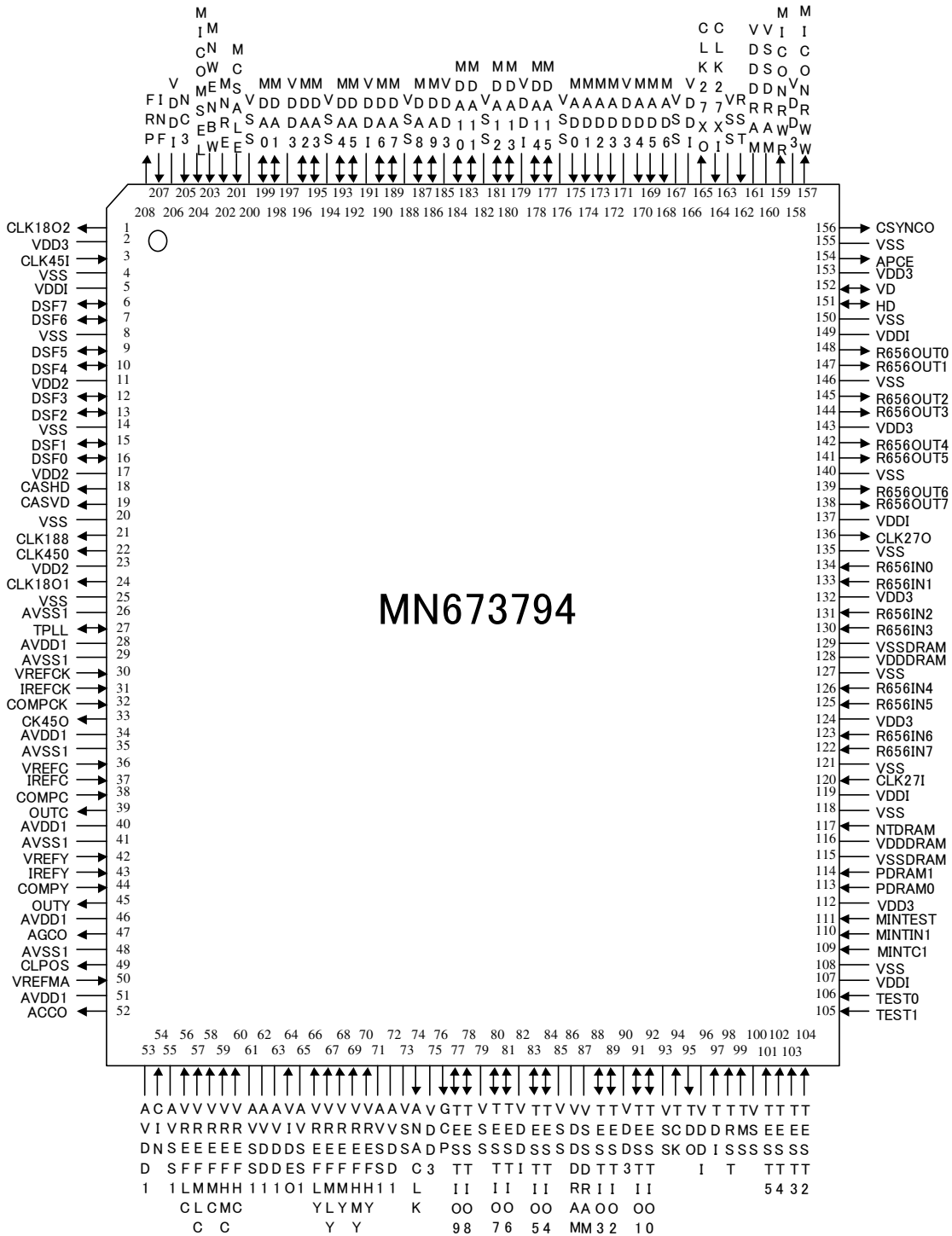


Figure 2.3 Pin Assignment

2.4 Block Diagram

Figure 2.4 shows the block diagram of the IC.

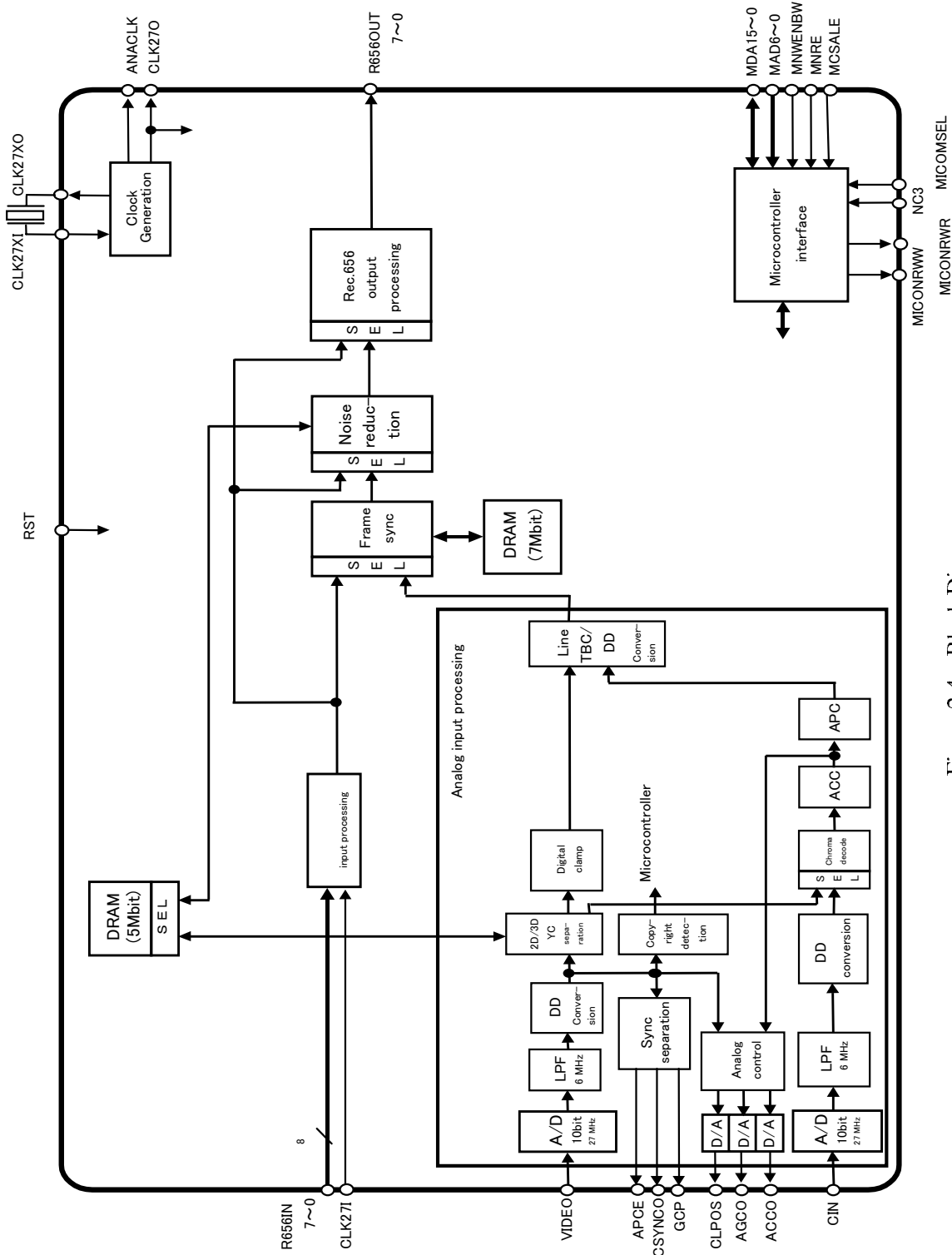


Figure 2.4 Block Diagram

3. Microcontroller Interface

(1) Overview

Data is written to and read from the internal registers of the IC through microcontroller interfaces. A microcontroller to be connected to the IC has two types of interfaces in consideration of two cases, where the address, data, and control line are synchronous with the system clock of the IC and where they are not synchronous with the system clock. The two types of interfaces are available in both cases. One of them is an address/data multiple bus interface, which enables the data bus to be overlapped with addresses, and the other is an interface for address/data bus separation. These cases and types are selectable with the external pins of the IC as shown in table 3.1.

Table 3.1 Protocol Settings for Microcontroller Interface

Pin setting (Pin number)		Protocol	
No. 204 (MICOMSEL)	No. 205 (NC3)	Sync/Async with system clock	Separation/Multiple address data bus
0	0	Async	Separation
0	1	Sync	Separation
1	0	Async	Multiple
1	1	Sync	Multiple

(2) Microcontroller Interface Signals

Table 3.2 shows the respective microcontroller interface signals and corresponding pins that appear in the microcontroller timing chart.

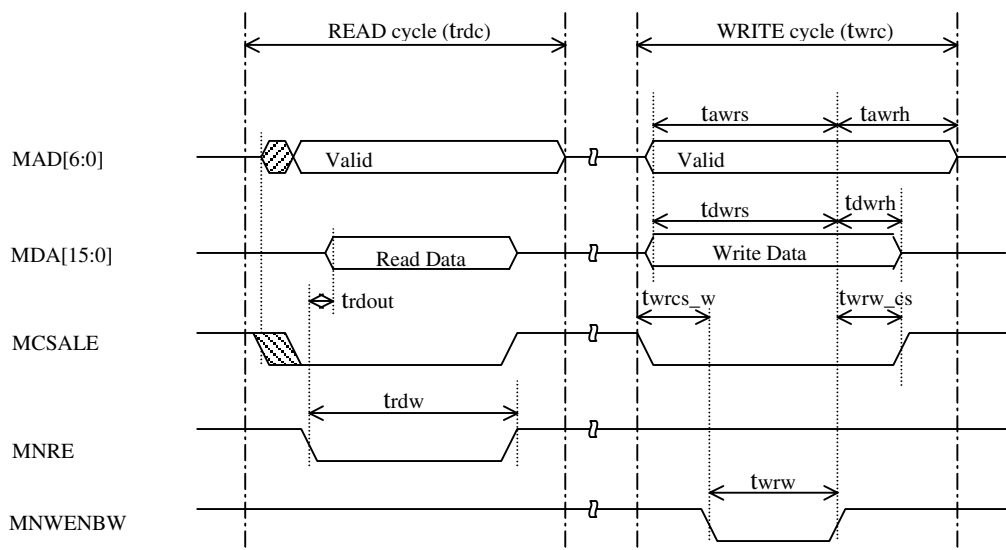
Table 3.2 Interface Signals and Corresponding Pins

Signal	Interface (separation/multiple) signals not synchronous with system clock	Interface (separation/multiple) signals synchronous with system clock
Address	MAD	Adress
Data	MDA	Data
CS (chip select)	MCSALE	CS
WE (write enable)	MNWENBW	WE
RE (read enable)	MNRE	RE

(3) Timing

[a] System Clock Async/Separation Bus Interface

Figure 3.3 (a) is the timing chart of the interface.



Timing		[ns]	
		Min	Max
trdc	Read cycle	148	–
trdout	Read data valid	–	30
twrc	Write cycle	148	–
trdw	Read pulse (MNRE) width	74	–
twrw	Write pulse (MNWENBW) width	74	–
twrcs_w	CS enable after WE active	10	–
twrw_es	WE negate after CS disable	10	–
tdwrs	Write data setup	twrw	–
tdwrh	Write data hold	0	–
tawrs	Write address setup	twrw	–
tawrh	Write address hold	10	–

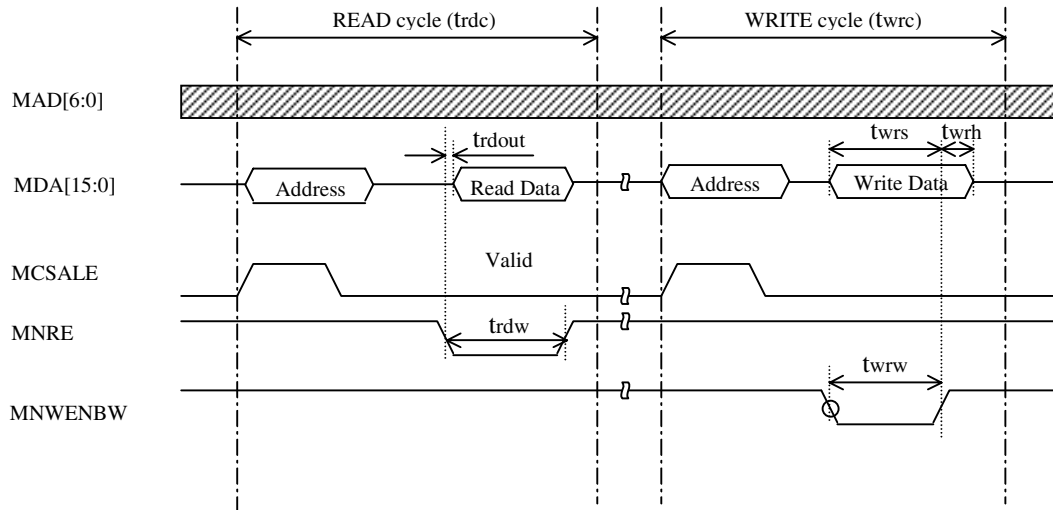
Figure 3.3 (a) Microcontroller Interface Timing 1

* Note)

- When the signal timing changes to the read cycle from the write cycle, data reading must start at least 50 ns after the write cycle completes.
- In the case of continuous data writing, a minimum of 148 ns is required between the falling edge of the present write enable (MNWENBW) and that of the next write enable.

[b] System Clock Async/Multiple Bus Interface

Figure 3.3 (b) is the timing chart of the interface.

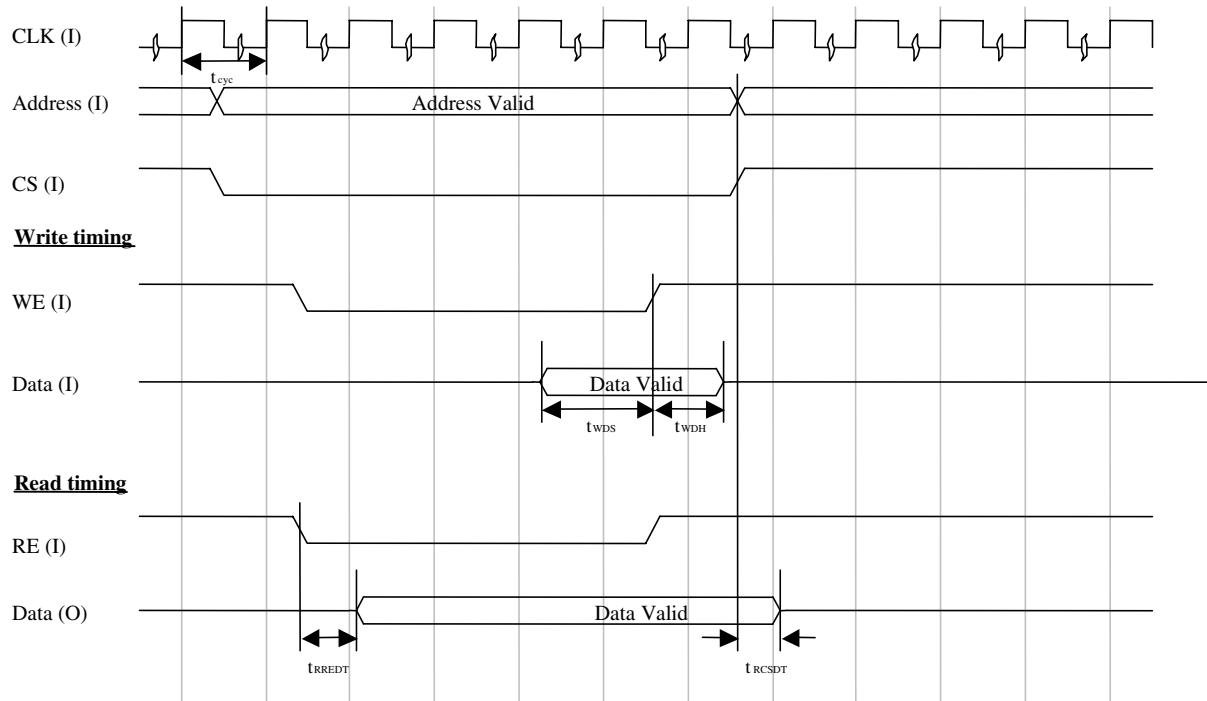


Timing		[ns]	
		Min	Max
trdc	Read cycle	148	–
trdout	Read data valid	–	30
twrc	Write cycle	148	–
trdw	Read pulse (MNRE) width	74	–
twrw	Write pulse (MNWENBW) width	74	–
twrs	Write data setup	twrw	–
twrh	Write data hold	10	–

Figure 3-3 (b) Microcontroller Interface Timing 2

[c] System Clock Sync /Separation Bus Interface

Figure 3.3 (c) is the timing chart of the interface.



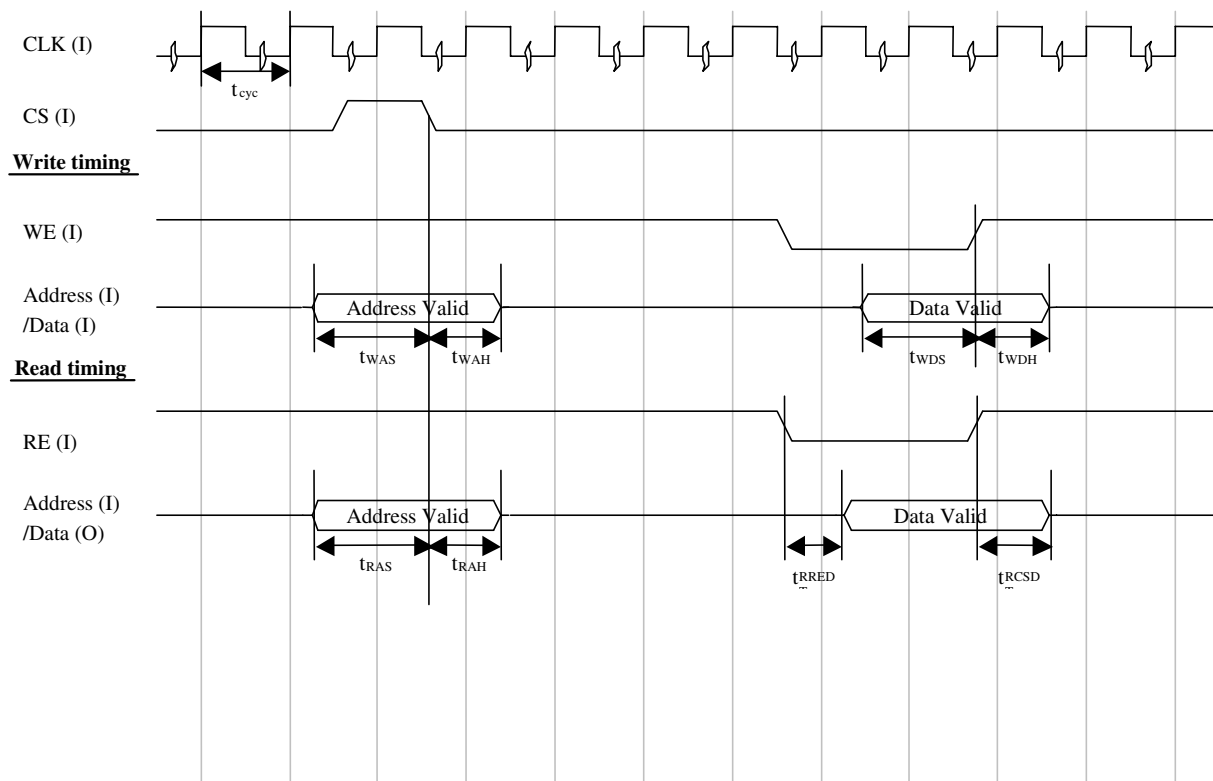
Parameter	Symbol	Min	Typ	Max	Unit
27-MHz clock cycle	tCYC		37		ns
Write data setup (based on rising edge of write enable WE)	tWDS	tCYC			ns
Write data hold (based on rising edge of write enable WE)	tWDH	tCYC			ns
Read data delay (based on falling edge of read enable RE)	tRR EDT	0		tCYC	ns
Read data hold (based on rising edge of chip select CS)	tRCS DT	0			ns

Figure 3.3 (c) Microcontroller Interface Timing 3

- Address, Data, CS, WE, and RE input signals are input not synchronous with the CLK clock signal.
- The CS must be disabled (i.e., set high) whenever data is read from or written to any address.

[d] System Clock Async/Multiple Bus Interface

Figure 3.4 (d) is the timing chart of the interface.



Parameter	Symbol	Min	Typ	Max	Unit
27-MHz clock cycle	tCYC		37		ns
Write address setup (based on falling edge of address latch enable ALE)	tWAS	tCYC			ns
Write address hold (based on falling edge of address latch enable ALE)	tWAH	tCYC			ns
Read address setup (based on falling edge of address latch enable ALE)	tRAS	tCYC			ns
Read address hold (based on falling edge of address latch enable ALE)	tRAH	tCYC			ns
Write data setup (based on rising edge of write enable WE)	tWDS	tCYC			ns
Write data hold (based on rising edge of write enable WE)	tWDH	tCYC			ns
Read data delay (based on falling edge of read enable RE)	tRRREDT	0		tCYC	ns
Read data hold (based on rising edge of chip select CS)	tRCSDT	0			ns

Figure 3.3 (d) Microcontroller Interface Timing 4

* Address, Data, CS, WE, and RE input signals are input not synchronous with the CLK clock signal.

(4) Microcontroller Registers

[a] Read/Write

Addresses 0040h to 0046h, 0048h, and 004Ah are read-only registers.

Data can be written to and read from addresses with register marks if they are not read-only registers. Although data can be written to addresses with no register marks, the accuracy of data read from such addresses is not guaranteed.

[b] Special Registers

Addresses 0043h and 0044h are registers the functions of which vary with the signal mode settings for the registers.

- NTSC mode: Register for VBID detection
- PAL mode: Register for WSS detection (The register table in WSS mode is different.)

[c] Video Signal Mode Settings

A video signal mode is set with three bits. These bits have the following meanings.

Bit	Meaning	0	1
[2]	Line	525-line mode	625-line mode
[1]	Processing frequency (4fsc)	14 MHz line	17 MHz line
[0]	Phase Alt	No	Yes

Make the following settings for respective signal modes.

[2:0]	System
000	NTSC
001	PAL-M
010	NTSC443
011	(PAL-60)
100	–
101	PAL-N
110	–
111	PAL

Make sigmod 0000h [2:0] settings for the signal modes of the analog input processing block, frame sync processing block, Rec 656 input processing block, and Rec 656 output processing block.

Make sigmodpb 0000h [6:4] settings for the signal modes of the analog output processing block.

[d] Write Registers

Figure 3.4 shows the block diagram for the write registers.

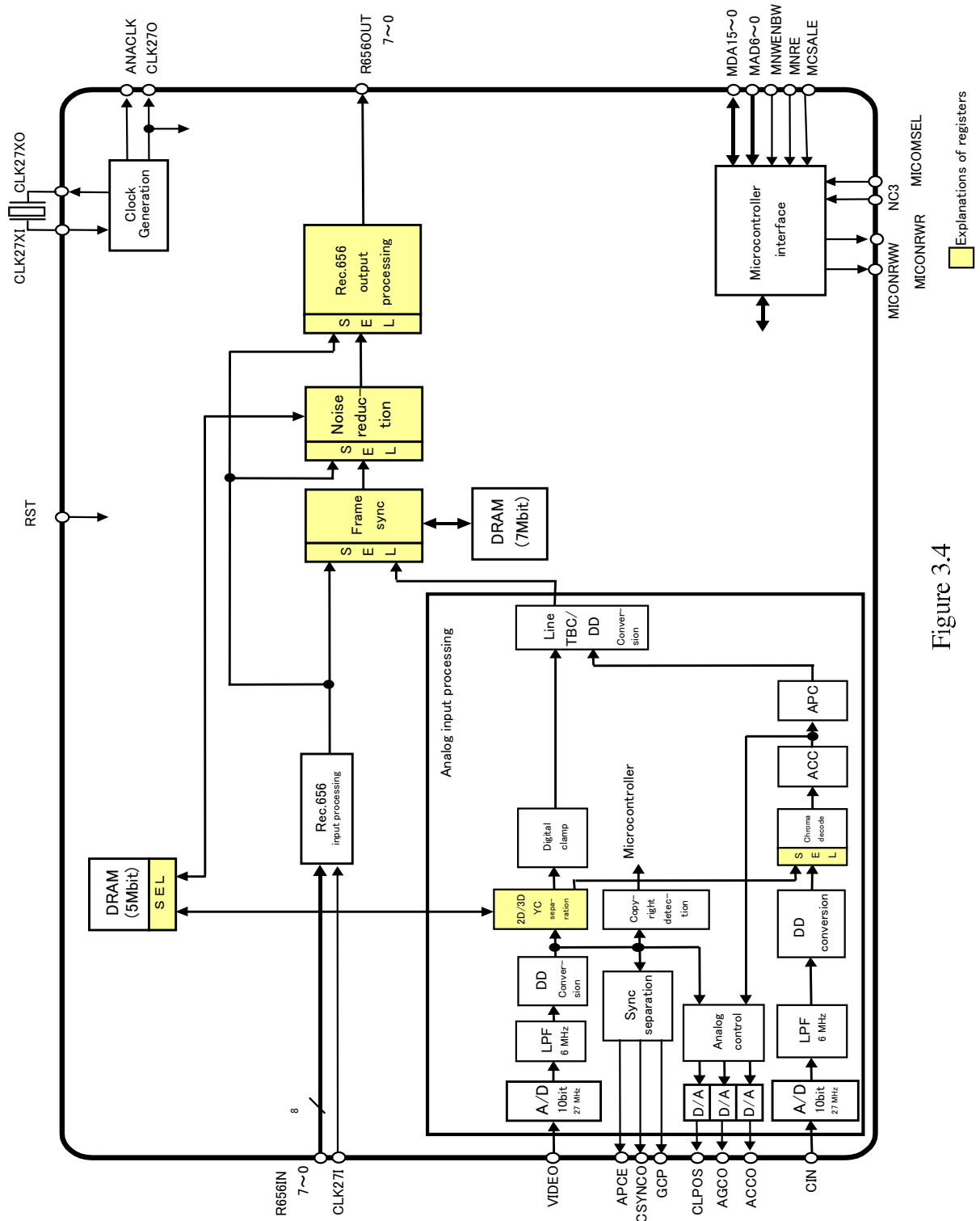


Figure 3.4

1. Control system

Register name	Address	Description	Default
cpsh	0000h[15]	Used to select the mode of the analog input processing block. 0: Component input, 1: Composite input	1
fsinsel	0000h[13:12]	Used to select the input of the frame sync block. 00: Analog input, 01: Rec 656 input, 10: Test use, 11: Not used	00
r656outsel	0000h[11]	Used to select the input of the Rec 656 output processing block. 0: Noise reduction output, 1: Rec 656 input	0
sigmod	0000h[2:0]	Used to set the signal modes of the analog input processing block, frame sync processing block, Rec 656 input processing block, and Rec 656 output processing block. 000: NTSC, 001: PAL-M 010: NTSC443, 011: PAL-60 100: -, 101: PAL-N 110: -, 111: PAL	00

2. Y/C separation

Register name	Address	Description	Default
HYOZI	0008h[6]	The detected movement area is displayed dark (for evaluation). 0: Normal, 1: Movement detection display	0
F3DSEL	0008h[5:3]	A threshold value to determine movement with two-frame differential movement detected. (Compared with the 9-bit absolute value converted from the 10-bit difference between the 9-bit input signal and 2-frame, 9-bit delay signal.) 000: 3D fixed, 001: 4 or more, 010: 8 or more, 011: 12 or more 100: 16 or more, 101: 20 or more, 110: 24 or more, 111: 28 or more (To fix the setting to 3D, set the F3DSEL register to 000 and the F2DSEL register to 000. To fix the setting to 2D, set the F3DSEL to any value other than 000 and set the F2DSEL to 000.)	100
F2DSEL	0008h[2:0]	A threshold value to determine movement with one-frame differential movement detected. (Compared with the 9-bit absolute value converted from the 10-bit difference between the 9-bit input signal and 1-frame, 9-bit delay signal.) 000: 2D fixed, 001: 4 or more, 010: 8 or more, 011: 12 or more 100: 16 or more, 101: 20 or more, 110: 24 or more, 111: 28 or more (To fix the setting to 3D, set the F3DSEL register to 000 and the F2DSEL register to 000. To fix the setting to 2D, set the F3DSEL to any value other than 000 and set the F2DSEL to 000.)	100

3. Y/C delay adjustment

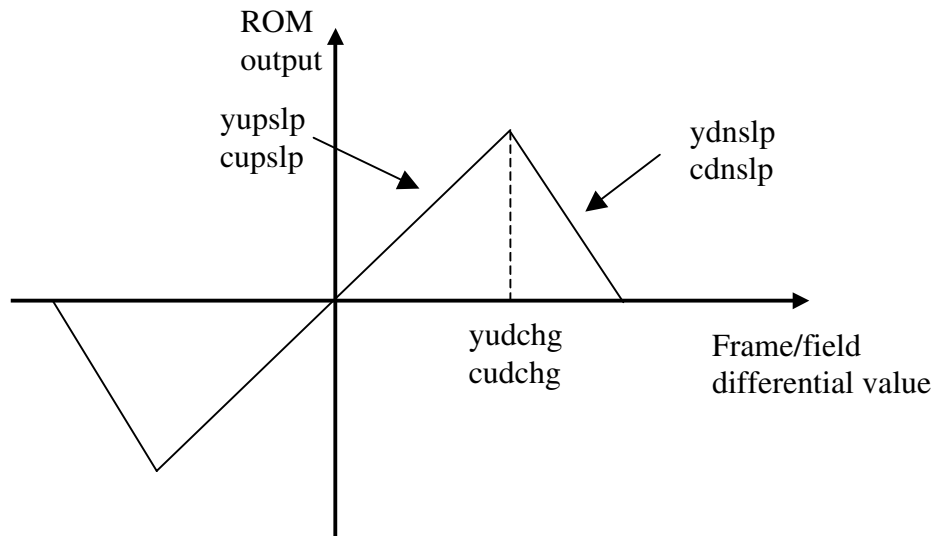
Register name	Address	Description	Default
cdly2	0009h[7:6]	Used to adjust the delay of the component C signal (in 4fsc increments). (DD conversion output of C signal of analog input processing block) 00: No delay, 01: +1 clock 10: -2 clock, 11: -1 clock	00
cdly1	0009h[5]	Used to adjust the delay of the component C signal (in 27 MHz increments). (LPF output of C signal of analog input processing block) 0: No delay, 1: +1 clock	0
tbcdly	0009h[9:8]	Used to adjust the delay of the CbCr multiple signal (in 4fsc increments). (Before TBC input into the analog input processing block) 00: No delay, 01: +1 clock 10: -2 clock, 11: -1 clock	00
cflgdly	0029h[0]	Used to reverse the polarity of the CbCr separation flag for the CbCr multiple signal. If the tint is reversed with tbcdly delay adjustments, invert this flag. (Before TBC input into the analog input processing block) 0: No reversion, 1: Reversion	0

4. Rec 656 output

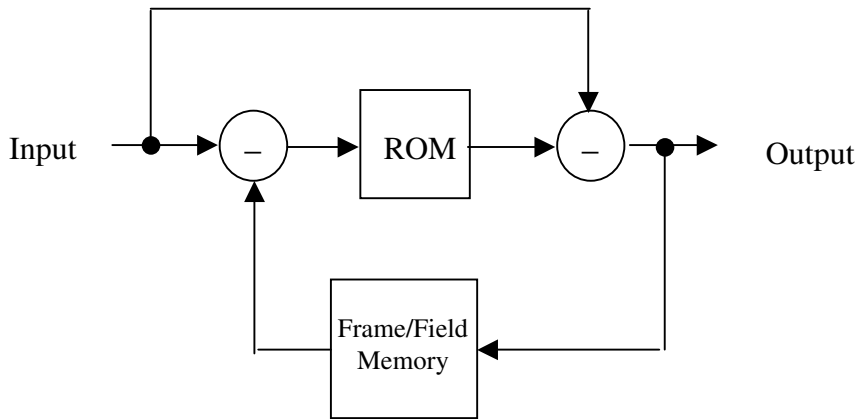
Register name	Address	Description	Default
VideoOutsel	002Eh[1:0]	Used to switch over the valid pixels of the Rec 656 output signal to blue or black background. 0X: Normal, 10: Black background, 11: Blue background	00

5. Noise reduction (NR)

Register name	Address	Description	Default
Setnrin	003Ch[15]	Used to switch over the input into the noise reduction block. 0: Frame sync output, 1: Rec 656 input	0
SetTof	003Ch[14:13]	Used to make through/NR settings in the noise reduction block. 0X: NR block through 10: NR OFF, 11: NR ON	00
Set3dnr	003Ch[12]	Used to set the circulation-type 3D control. 0: Frame circulation NR, 1: Field circulation NR	0
SetMdet	003Ch[9:5]	Used to set the threshold value that enables the C in the Y frame/field differential signal to bypass the NR. Threshold value=SetMdet[6:2]*2 (Example: If the SetMdet value is 01000, a threshold of 16 will be set.)	01000
	003Ch[4:3]	Used to set the width (range) that enables the C in the Y frame/field differential signal to bypass the NR. 00: +1, 01: ±1, 10: ±2, 11: ±3	01
SetMvVi	003Ch[2]	The detected movement area is displayed dark (for evaluation). 0: Normal, 1: Movement detection display	0
ydnslp	003Dh[12:10]	Used to set the negative slope of the maximum Y frame/field differential value. (See below for the characteristics.)	010
yupslp	003Dh[9:6]	Used to set the positive slope of the minimum Y frame/field differential value. Gain=yupslp[3:0]/16 (See below for the characteristics.)	1000
yudchg	003Dh[5:0]	Used to set the change point between the above ydnslp (negative slope) and yupslp (positive slope). (See below for the characteristics.)	010000
cdnslp	003Eh[12:10]	Used to set the negative slope of the maximum C frame/field differential value. (Same as Y in characteristics.)	010
cupslp	003Eh[9:6]	Used to set the positive slope of the minimum C frame/field differential value. Gain=cupslp[3:0]/16 (Same as Y in characteristics.)	1000
cudchg	003Eh[5:0]	Used to set the change point between the above cdnslp (negative slope) and cupslp (positive slope). (Same as Y in characteristics.)	010000



NR-ROM Characteristics



NR Block Diagram

6. Frame sync

Register name	Address	Description	Default
wr_offset	0017h[4:0]	Frame sync, write line start position offset (23 lines + offset value)	00000

7. Analog power down

(Possible to reduce the power consumption of the corresponding functions when the functions are not in use.)

Register name	Address	Description	Default
yadpwn	0039h[8]	Used to power down the component Y/composite Y (analog output) ADC. 0: Normal, 1: Power down	0
cadpwn	0039h[7]	Used to power down the component C (analog output) ADC. 0: Normal, 1: Power down	0
ydapwn	0039h[6]	Used to power down the component Y (analog output) DAC. 0: Normal, 1: Power down	0
cdapwn	0039h[5]	Used to power down the component C (analog output) DAC. 0: Normal, 1: Power down	0
clkdapwn	0039h[4]	Used to power down the DAC for DV 18-MHz clock generation. 0: Normal, 1: Power down	0
agcdapwn	0039h[3]	Used to power down the AGC control DAC. 0: Normal, 1: Power down	0
accdapwn	0039h[2]	Used to power down the ACC control DAC. 0: Normal, 1: Power down	0
clpdapwn	0039h[1]	Used to power down the clamp control DAC. 0: Normal, 1: Power down	0
pllpdwn	0039h[1]	Used to power down the 4x PLL for DV 18-MHz clock generation. 0: Normal, 1: Power down	0

[e] Read Registers

1. Macrovision

immvh	0041h[15]	Result of AGC pulse detection 0: No, 1: Yes	
spiso	0041h[14:13]	Result of color stripe phase detection 00: 0°, 01: 90°, 10: 180°, 11: 270°	
spgcnt	0041h[12:8]	Result of detection of the number of color stripe groups per field	
spos	0041h[7:6]	Result of detection of the color stripe split position 00: No, 01: Latter half, 10: First half, 11: Indefinite	
spcnt	0041h[5:0]	Result of detection of the number of color stripe lines per field (Implement the spcnt/spgcnt based on the result of spcnt and spgcnt detection. Then determine if the 4- or 2-line mode is set.)	
agcflg	0042h[9:8]	Result of detection of sync reduction 00: V=H, 01: H>V, 11: V>H	

2. VBI

imdatavw	0043h[13:0]	Detection data First data = 0043h[0]	
immidvw1	0044h[13:9]	Number of data items the intermediate values of which are detected (from the 600 kHz LPF signal) (Number of bits out of the 14 data bits)	
immidvw2	0044h[8:4]	Number of data items the intermediate values of which are detected (from the 6 MHz LPF signal) (Number of bits out of the 14 data bits)	
imvwlno	0044h[3:2]	The number of line where the data is detected 00: Not detected, 01: 19(282)H, 10: 20(283)H, 11: 21(284)H	
imvwdet	0044h[0]	Result of reference pulse detection 0: Not detected, 1: Detected	
imvwok	0044h[1]	Reliability of the detection result 0: Not good 1: OK (The imvwdet bit is set to 1 and all data fixed with CRC added.)	

3. WSS

imdatavw	0043h[13:0]	Detection data First data = 0043h[0]	
immidvw1	0044h[13:9]	Number of data items the intermediate values of which are detected (from the 1 MHz LPF signal)	
immidvw2	0044h[8:4]	Number of data items the intermediate values of which are detected (from the 6 MHz LPF signal)	
imvwlno	0044h[3:2]	The number of line where the data is detected 00: Not detected, 01: 19(282)H, 10: 20(283)H, 11: 21(284)H	
imvwdet	0044h[0]	Result of Clock Run-In detection 0: Not detected, 1: Detected	
imvwok	0044h[1]	Reliability of the detection result 0: Not good 1: OK (The imvwdet bit is set to 1 and start code and bi-phase acceptable)	

4. Closed caption

imdatacc	0045h[15:0]	Detection data First data = 0045h[0]	
immidcc1	0046h[12:9]	Number of data items the intermediate values of which are detected (from the 600 kHz LPF signal)	
immidcc2	0046h[7:4]	Number of data items the intermediate values of which are detected (from the 6 MHz LPF signal)	
imccino	0046h[3:2]	The number of line where the data is detected 00: Not detected, 01: 20(283)H, 10: 21(284)H, 11: 22(285)H	
imccdct	0046h[0]	Result of Clock Run-In detection 0: Not detected, 1: Detected	
imccok	0046h[1]	Reliability of the detection result 0: Not good 1: OK (The imccdct bit is set to 0 and all data fixed)	

5. Others

Register name	Address	Description	Default
bg32cnt	0040h[7:4]	Color killer use 1/4 of the number of lines with no burst gate generated during a period of 128H.	
ckreg	0040h[3:0]	Color killer use The total number (absolute value) of APC errors resulted during a period of 128H.	
imjack	0042h[7:0]	Result of detection of weak electromagnetic field sync noise (The number of pulses in the sliced and binary-coded Csync in a single field)	
NSTD	0046h[15]	Standard signal discrimination (Discriminated as a standard signal if the number of clocks per 1H period is within a range of 910 ± 7 .) 0: Standard 1: Nonstandard	
odev	0048h[5]	Field discrimination 0: Second field (even), 1: First field (odd)	
ghsfew	0048h[4]	Signal detection result 0: Detected, 1: Not detected	
lownoise	0048h[3:0]	Result of weak electromagnetic field detection The integrated noise value (0 to 15) in a period of 6H V-blanking.	
frmchg_skip	004Ah[1]	Discrimination of frame skipping in the frame sync block 0: No skip, 1: Skipped	
frmchg_hold	004Ah[0]	Discrimination of frame hold in the frame sync block 0: No hold, 1: Hold	

[f] Register map
 Tables 3.4-1 and 3.4-2 show the register maps.

Table 3.4-1 Write Register Map

		0008h	0009h	0017h	0029h	002Eh	0039h	003Ch	003Dh	003Eh
D[15]	cpsb	-	-	-	-	-	-	Setnrin	-	-
D[14]	fsinsel [1:0]	-	-	-	-	-	-	SetTof [1:0]	-	-
D[13]		-	-	-	-	-	-		-	-
D[12]	-	-	-	-	-	-	-	Set3dnr	ydnslp [2:0]	cdnslp [2:0]
D[11]	r656 outsel	-	-	-	-	-	-			
D[10]	-	-	-	-	-	-	-	Set Mdet [6:0]	yupslp [3:0]	cupslp [3:0]
D[9]	-	-	tbccdly [1:0]	-	-	-	-			
D[8]	-	-		-	-	-	yad pdwn			
D[7]	-	-	cdly2 [1:0]	-	-	-	cad pdwn			
D[6]	-	HYOZI		-	-	-	yda pdwn			
D[5]	-	F3D SEL [2:0]	cdly1	-	-	-	cda pdwn			
D[4]	-		-	wr_ offset [4:0]	-	-	-		clkda pdwn	
D[3]	-		-		-	-	-		agcda pdwn	
D[2]	sigmod [2:0]	F2D SEL [2:0]	-		-	-	-		accda pdwn	
D[1]			-		-	Video OutSel [1:0]	-		-	clpda pdwn
D[0]			-	-	cflgdly		-	-	pll pdwn	
Default	8000	8124	0000	0000	0000	0000	0000	0108	0A10	0BA0

Table 3.4-2 Read Register Map

	0040h	0041h	0042h	0043h	0044h	0045h	0046h	0048h	004Ah		
D[15]	-	immvh	-	-	-	imdata cc [15:0]	NSTD	-	-		
D[14]	-	spiso [1:0]	-	-	-		-	-	-		
D[13]	-		-	-	-		-	-	-		
D[12]	-	spgcnt [4:0]	-	imdata vw [13:0]	immid vw1 [4:0]		immid cc1 [3:0]	-	-		
D[11]	-		-					-	-	-	
D[10]	-		-		-			-	-	-	
D[9]	-		agcflg [1:0]		-		-	-	-	-	
D[8]	-	-			-		-	-	-		
D[7]	bg32 cnt [4:0]	sppos [1:0]	imjack [7:0]		immid vw2 [4:0]		immid cc2 [3:0]	imcc lno [1:0]	-	-	
D[6]									-	-	-
D[5]		ckreg [3:0]			spcnt [5:0]			imvw lno [1:0]	imccok	low noise [3:0]	odev
D[4]							ghsfew				-
D[3]	-	-					imvwok	imccdct		-	-
D[2]	-	-			-				-	frmchg _skip	
D[1]	-	-			imvwdet				-	-	frmchg _hold
D[0]	-	-				-	-	-			
Default	-	-			-	-	-	-	-	-	

Product standards

A. Absolute Maximum Ratings

(V_{SS}= 0 V)

Parameter	Symbol	Rating	Unit	
A1	External supply voltage	V _{DD}	-0.3 to 4.6	V
A2	Internal supply voltage	V _{DDI}	-0.3 to 3.6	
A3	Input pin voltage	V _I	-0.3 to V _{DD} +0.3 (Upper limit: 4.6)	
A4	Output pin voltage	V _O	-0.3 to V _{DD} +0.3 (Upper limit: 4.6)	
A5	Output current (TYPE-HL2)	I _O	±6	mA
A6	Output current (TYPE-HL4)	I _O	±12	
A7	Output current (TYPE-HL8)	I _O	±24	
A8	Power dissipation	P _D	1920	mW
A9	Operating ambient temperature	T _{OPR}	-20 to +80	°C
A10	Storage temperature	T _{STG}	-40 to 125	

TYPE-HL2 pins: CASHD, CASVD, CLK188, CLK450, ANACLK, GCP, CSYNCO,
MICONRWW, MICONRWR, APCE, TDO

TYPE-HL4 pins: CLK270, CLK1802, CLK1801, R656OUT7 to R656OUT0, FRP, HD, VD,
TESTIO9 to TESTIO0, DSF7 to DSF0, MAD6 to MAD0, MCSALE, MNR,
MNWENBW, MICOMSEL, NC3

TYPE-HL8 pins: MDA15 to MDA0

Note)

- (1) The external supply pins are V_{DD3}, V_{DD2}, and AV_{DD} pins and the internal supply pins are V_{DDI} and V_{DDDRAM} pins.
- (2) The absolute maximum ratings are the limit values beyond which the IC may be broken. They do not assure operations.
- (3) Connect all V_{DD} pins externally and directly to the power supply. Connect all V_{SS} pins externally and directly to ground.
- (4) Connect one or more bypass capacitors of 0.1 μF or larger between the power supply pin and ground.
- (5) Connect MINTEST pin to V_{SS} pin.

B. Recommended Operating Conditions

(V_{SS} = 0 V)

Parameter	Symbol	Conditions	Limits			Unit
			Min	Typ	Max	
B1	Supply voltage (External 1)	V _{DD3}				V
B2	Supply voltage (External 2)	V _{DD2}				V
B3	Supply voltage (Internal)	V _{DDI}				V
B4	Supply voltage (Internal DRAM)	V _{DDDRAM}				V
B5	Supply voltage (Analog)	AV _{DD}				V
B6	Ambient temperature	T _a	-20		80	°C
B7	Oscillator frequency	f _{OSC}		27		MHz
B8	Clock 1 input frequency	f _{IN1}		27		MHz
B9	Clock 2 input frequency	f _{IN2}		4.5		MHz

C. Pin Capacitance

C1	Input pin	C _{IN}	V _{DD} =V _I =0 V f _{in} =1 MHz T _a =25°C		7	8	pF
C2	Output pin	C _{OUT}			7	8	pF
C3	I/O pin	C _{IO}			7	8	pF

D. Electrical Characteristics

(1) DC Characteristics

 $(V_{SS}=AV_{SS}=V_{SSDRAM}=0\text{ V}, T_a=-20^\circ\text{C to }80^\circ\text{C})$

Parameter	Symbol	Conditions	Limits			Unit
			Min	Typ	Max	
D1 Operating supply current	I_{DDI}	$V_{DD3}=AV_{DD}=3.6\text{ V}$ $V_{DD2}=2.4\text{ V}$ $V_{DDI}=1.95\text{ V}$ $V_{DDDRAM}=2.7\text{ V}$ $V_I=V_{DD}\text{ or }V_{SS}$ $f_{IN1}=27\text{ MHz}$ $f_{IN2}=4.5\text{ MHz}$ $f_{OSC1}=27\text{ MHz}$ Output: Open			300	mA
D2 Operating supply current	I_{DDDRAM}	$V_{DD3}=AV_{DD}=3.6\text{ V}$ $V_{DD2}=2.4\text{ V}$ $V_{DDI}=1.95\text{ V}$ $V_{DDDRAM}=2.7\text{ V}$ $V_I=V_{DD}\text{ or }V_{SS}$ $f_{IN1}=27\text{ MHz}$ $f_{IN2}=4.5\text{ MHz}$ $f_{OSC1}=27\text{ MHz}$ Output: Open			80	mA
D3 Operating supply current	I_{DDANA}	$V_{DD3}=AV_{DD}=3.6\text{ V}$ $V_{DD2}=2.4\text{ V}$ $V_{DDI}=1.95\text{ V}$ $V_{DDDRAM}=2.7\text{ V}$ $V_I=V_{DD}\text{ or }V_{SS}$ $f_{IN1}=27\text{ MHz}$ $f_{IN2}=4.5\text{ MHz}$ $f_{OSC1}=27\text{ MHz}$ Output: Open			302	mA

Parameter	Symbol	Conditions	Limits			Unit
			Min	Typ	Max	

<Input: CMOS level>

CLK27I

D4	High-level input voltage	V_{IH3}		V_{DD3} $\times 0.7$		V_{DD3}	V
D5	Low-level input voltage	V_{IL3}		0		V_{DD3} $\times 0.3$	V
D6	Input leakage current	I_{LIPD3}	$V_I = V_{DD3}$ or V_{SS}			± 5	μA

<Input: CMOS level with pull-up resistor>

RST, TDI, TRST, TMS

D7	High-level input voltage	V_{IH4}		V_{DD3} $\times 0.7$		V_{DD3}	V
D8	Low-level input voltage	V_{IL4}		0		V_{DD3} $\times 0.3$	V
D9	Input leakage current	I_{LIPD4}	$V_I = V_{DD3}$			± 10	μA
D10	Pull-up resistor	R_{PU4}	$V_{DD3} = 0.0$ V	33	100	300	k Ω

<Input: CMOS level with pull-down resistor>

TCK, TEST5 to TEST0, PDRAM1, PDRAM0, NTD RAM, R656IN7 to R656IN0, INF

D11	High-level input voltage	V_{IH5}		V_{DD3} $\times 0.7$		V_{DD3}	V
D12	Low-level input voltage	V_{IL5}		0		V_{DD3} $\times 0.3$	V
D13	Input leakage current	I_{LIPD5}	$V_I = V_{SS}$			± 10	μA
D14	Pull-up resistor	R_{PD5}	$V_{DD3} = 3.3$ V	33	100	300	k Ω

<Input: CMOS level with pull-down resistor>

MINTEST

D15	High-level input voltage	V_{IH6}		V_{DD3} $\times 0.7$		V_{DD3}	V
D16	Low-level input voltage	V_{IL6}		0		V_{DD3} $\times 0.3$	V
D17	Input leakage current	I_{LIPD6}	$V_I = V_{SS}$			± 10	μA
D18	Pull-up resistor	R_{PD6}	$V_{DD3} = 3.3$ V	10	30	90	k Ω

Parameter	Symbol	Conditions	Limits			Unit	
			Min	Typ	Max		
<Input: CMOS level>		MINTC1, MINTIN1					
D19	High-level input voltage	V_{IH7}		V_{DD3} $\times 0.7$		V_{DD3}	V
D20	Low-level input voltage	V_{IL7}		0		V_{DD3} $\times 0.3$	V
D21	Input leakage current	I_{LIPD7}	$V_I = V_{DD3}$ or V_{SS}			± 5	μA

Parameter	Symbol	Conditions	Limits			Unit
			Min	Typ	Max	

<Output: Normal buffer>

ANACLK, GCP, CSYNCO, MICONRWW, MICONRWR

D22	High-level output voltage	V_{OH9}	$I_{OH}=-2\text{ mA}, V_I=V_{DD3}\text{ or }V_{SS}$	V_{DD3} -0.6			V
D23	Low-level output voltage	V_{OL9}	$I_{OL}=2\text{ mA}, V_I=V_{DD3}\text{ or }V_{SS}$			0.4	V

<Output: Normal buffer>

CLK270, CLK1802, R656OUT7 to R656OUT0, FRP

D24	High-level output voltage	V_{OH10}	$I_{OH}=-4\text{ mA}, V_I=V_{DD3}\text{ or }V_{SS}$	V_{DD3} -0.6			V
D25	Low-level output voltage	V_{OL10}	$I_{OL}=4\text{ mA}, V_I=V_{DD3}\text{ or }V_{SS}$			0.4	V

<Output: Tri-state buffer>

APCE, TDO

D26	High-level output voltage	V_{OH11}	$I_{OH}=-2\text{ mA}, V_I=V_{DD3}\text{ or }V_{SS}$	V_{DD3} -0.6			V
D27	Low-level output voltage	V_{OL11}	$I_{OL}=2\text{ mA}, V_I=V_{DD3}\text{ or }V_{SS}$			0.4	V
D28	Output leakage current	I_{OZ11}	$V_O=Hi\text{-}z\text{ state}$ $V_I=V_{DD3}\text{ or }V_{SS}$ $V_O=V_{DD3}\text{ or }V_{SS}$			± 5	μA

<Output: Normal buffer>

CASHD, CASVD, CLK188, CLK450

D29	High-level output voltage	V_{OH12}	$I_{OH}=-0.5\text{ mA}, V_I=V_{DD2}\text{ or }V_{SS}$	V_{DD2} -0.4			V
D30	Low-level output voltage	V_{OL12}	$I_{OL}=0.5\text{ mA}, V_I=V_{DD2}\text{ or }V_{SS}$			0.4	V

<Output: Normal buffer>

CLK1801

D31	High-level output voltage	V_{OH13}	$I_{OH}=-1.0\text{ mA}, V_I=V_{DD2}\text{ or }V_{SS}$	V_{DD2} -0.4			V
D32	Low-level output voltage	V_{OL13}	$I_{OL}=1.0\text{ mA}, V_I=V_{DD2}\text{ or }V_{SS}$			0.4	V

Parameter	Symbol	Conditions	Limits			Unit
			Min	Typ	Max	

<Output: Tri-state buffer / Input: CMOS level>

MDA15 to MDA0

D33	High-level input voltage	V_{IH14}		V_{DD3} $\times 0.7$		V_{DD3}	V
D34	Low-level input voltage	V_{IL14}		0		V_{DD3} $\times 0.3$	V
D35	High-level output voltage	V_{OH14}	$I_{OH} = -8 \text{ mA}, V_I = V_{DD3} \text{ or } V_{SS}$	V_{DD3} -0.6			V
D36	Low-level output voltage	V_{OL14}	$I_{OL} = 8 \text{ mA}, V_I = V_{DD3} \text{ or } V_{SS}$			0.4	V
D37	Output leakage current	I_{OZ14}	$V_O = \text{Hi-z state}$ $V_I = V_{DD3} \text{ or } V_{SS}$ $V_O = V_{DD3} \text{ or } V_{SS}$			± 5	μA

<Output: Tri-state buffer / Input: CMOS level with pull-up resistor>

HD, VD

D38	High-level input voltage	V_{IH15}		V_{DD3} $\times 0.7$		V_{DD3}	V
D39	Low-level input voltage	V_{IL115}		0		V_{DD3} $\times 0.3$	V
D40	Input pull-up resistor	R_{PU15}	$V_I = 0.0 \text{ V}$	33	100	300	$\text{k}\Omega$
D41	High-level output voltage	V_{OH15}	$I_{OH} = -4 \text{ mA}, V_I = V_{DD3} \text{ or } V_{SS}$	V_{DD3} -0.6			V
D42	Low-level output voltage	V_{OL15}	$I_{OL} = 4 \text{ mA}, V_I = V_{DD3} \text{ or } V_{SS}$			0.4	V
D43	Output leakage current	I_{OZ15}	$V_O = \text{pull-up state}$ $V_I = V_{DD3} \text{ or } V_{SS}$ $V_O = V_{DD3}$			± 10	μA

Parameter	Symbol	Conditions	Limits			Unit
			Min	Typ	Max	

<Output: Tri-state buffer / Input: CMOS level with pull-down resistor>

TESTIO9 to TESTIO0

D44	High-level input voltage	V_{IH16}		V_{DD3} $\times 0.7$		V_{DD3}	V
D45	Low-level input voltage	V_{IL116}		0		V_{DD3} $\times 0.3$	V
D46	Input pull-down resistor	R_{PD16}	$V_I = V_{DD3}$	33	100	300	k Ω
D47	High-level output voltage	V_{OH16}	$I_{OH} = -4 \text{ mA}, V_I = V_{DD3} \text{ or } V_{SS}$	V_{DD3} -0.6			V
D48	Low-level output voltage	V_{OL16}	$I_{OL} = 4 \text{ mA}, V_I = V_{DD3} \text{ or } V_{SS}$			0.4	V
D49	Output leakage current	I_{OZ16}	$V_O = \text{pull-down state}$ $V_I = V_{DD3} \text{ or } V_{SS}$ $V_O = V_{SS}$			± 10	μA

<Output: Tri-state buffer / Input: CMOS level schmitt>

MAD6 to MAD0, MCSALE, MNRE, MNWENBW, MICOMSEL, NC3

D50	High-level output voltage	V_{OH17}	$I_{OH} = -4 \text{ mA}, V_I = V_{DD3} \text{ or } V_{SS}$	V_{DD3} -0.6			V
D51	Low-level output voltage	V_{OL17}	$I_{OL} = 4 \text{ mA}, V_I = V_{DD3} \text{ or } V_{SS}$			0.4	V
D52	Output leakage current	I_{OZ17}	$V_O = \text{Hi-z state}$ $V_I = V_{DD3} \text{ or } V_{SS}$ $V_O = V_{DD3} \text{ or } V_{SS}$			± 5	μA

Parameter	Symbol	Conditions	Limits			Unit
			Min	Typ	Max	

<Output: Tri-state buffer / Input: CMOS level with pull-down resistor>

DSF7 to DSF0

D53	High-level input voltage	V_{IH18}		$V_{DD2} \times 0.7$		V_{DD2}	V
D54	Low-level input voltage	V_{IL118}		0		$V_{DD2} \times 0.3$	V
D55	Input pull-down resistor	R_{PD18}	$V_I = V_{DD3}$	33	100	300	k Ω
D56	High-level output voltage	V_{OH18}	$I_{OH} = -1.0 \text{ mA}, V_I = V_{DD2} \text{ or } V_{SS}$	$V_{DD2} - 0.4$			V
D57	Low-level output voltage	V_{OL18}	$I_{OL} = 1.0 \text{ mA}, V_I = V_{DD2} \text{ or } V_{SS}$			0.4	V
D58	Output leakage current	I_{OZ18}	$V_O = \text{pull-down state}$ $V_I = V_{DD3} \text{ or } V_{SS}$ $V_O = V_{DD3}$			± 10	μA

<Oscillator circuit>

CLK27XO

D59	Internal feedback resistor	R_{f7}	$V_I = V_{DD3} \text{ or } V_{SS}$ $V_{DD3} = 3.3 \text{ V}$	0.33	1.00	3.00	M Ω
-----	----------------------------	----------	---	------	------	------	------------

(2) AC Characteristics

(Under the recommended operating conditions)

Parameter	Symbol	Conditions	Limits			Unit
			Min	Typ	Max	

<R656 digital video input> R656IN7 to R656IN0

D60	Input setup time	t_{S1}	Fig. 3-1	10.0			ns
D61	Input hold time	t_{H1}		5.0			ns

<R656 digital video output> R656OUT to R656OUT0

D62	Output delay time	t_{D2}	Fig. 3-1	5.0		27.0	ns
-----	-------------------	----------	----------	-----	--	------	----

<DV video input> DSF7 to DSF0

D63	Input setup time	t_{S3}	Fig. 3-2	10.0			ns
D64	Input hold time	t_{H3}		5.0			ns

<DV control signal input> CASHD, CASVD

D65	Output delay time	t_{D4}	Fig. 3-2	5.0		45.0	ns
-----	-------------------	----------	----------	-----	--	------	----

<DV control signal input> FRP

D66	Output delay time	t_{D5}	Fig. 3-2	5.0		45.0	ns
-----	-------------------	----------	----------	-----	--	------	----

E. Analog Characteristics

(AV_{DD} = 3.3 V, AV_{SS} = 0 V, Ta = 25°C)

Parameter	Symbol	Conditions	Limits			Unit	
			Min	Typ	Max		
<10-bit A/D converter>		VIDEO, CIN					
E1	Low-level reference voltage	V _{REFL1}		AV _{SS}	0.5		V
E2	High-level reference voltage	V _{REFH1}			2.5	AV _{DD}	V
E3	Integral nonlinearity	NLE1	f _{ADCK1} =27.0 MHz V _{REFH} =2.5 V V _{REFL} =0.5 V		±6.0	±8.0	LSB
E4	Differential nonlinearity	DNLE1	f _{ADCK1} =27.0 MHz V _{REFH} =2.5 V V _{REFL} =0.5 V		±2.0	±4.0	LSB
E5	Clock frequency	f _{ADCK1}				27	MHz

<10-bit high-speed D/A converter>

E6	Zero-scale output voltage	V _{ZS2}	V _{REF} =1.235 V D9 to D0=ALL "L"		0		V[p-p]
E7	Full-scale output voltage	V _{FS2}	V _{REF} =1.235 V D9 to D0=ALL "H"		1.0		V[p-p]
E8	Integral nonlinearity	NLE2	f _{ADCK2} =27 MHz V _{REF} =1.235 V		±1.5	±3.0	LSB
E9	Differential nonlinearity	DNLE2	f _{ADCK2} =27 MHz V _{REF} =1.235 V		±1.0	±3.0	LSB
E10	Clock frequency	f _{ADCK2}				27	MHz

(AV_{DD} = 3.3 V, AV_{SS} = 0 V, Ta = 25°C)

Parameter	Symbol	Conditions	Limits			Unit	
			Min	Typ	Max		
<10-bit voltage dividing type D/A converter>							
E11	Zero-scale output voltage	V _{ZS3}	D9 to D0=ALL "L"	-0.1	0	0.1	V
E12	Full-scale output voltage	V _{FS3}	D9 to D0=ALL "H"	3.1	3.2	3.3	V
E13	Integral nonlinearity	NLE3	f _{ADCK3} =1 MHz		±1.0	±3.0	LSB
E14	Differential nonlinearity	DNLE3	f _{ADCK3} =1 MHz		±1.0	±2.0	LSB
E15	Clock frequency	f _{ADCK3}				1	MHz

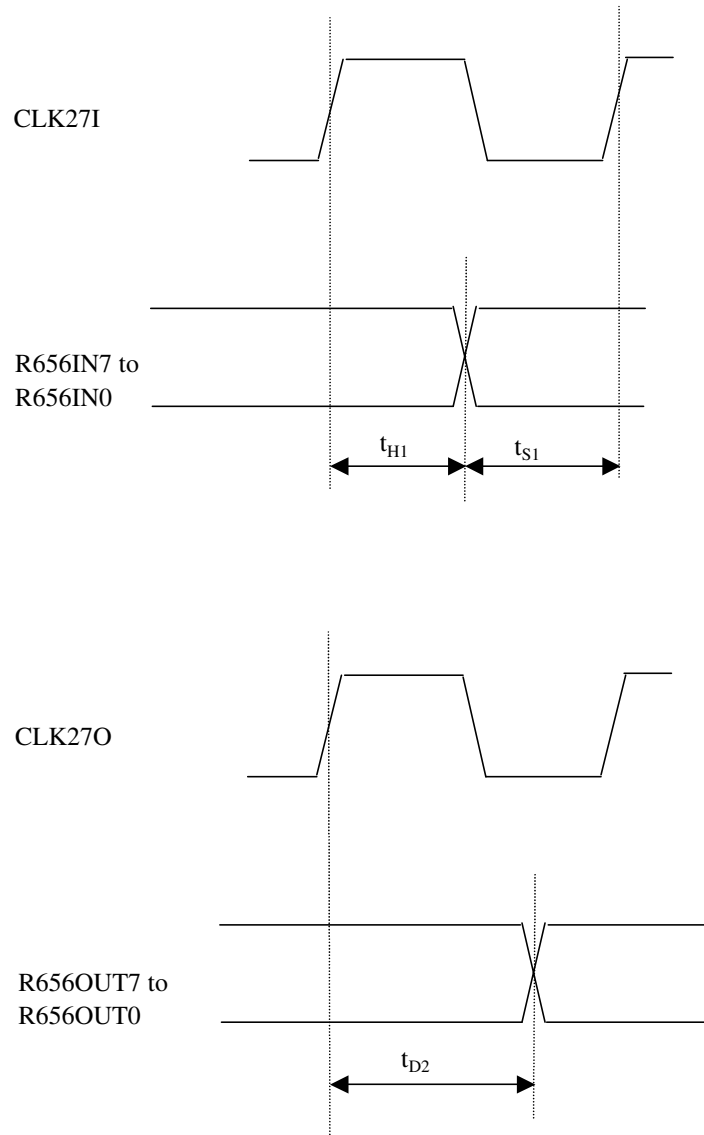


Fig. 3-1 I/O signal timing

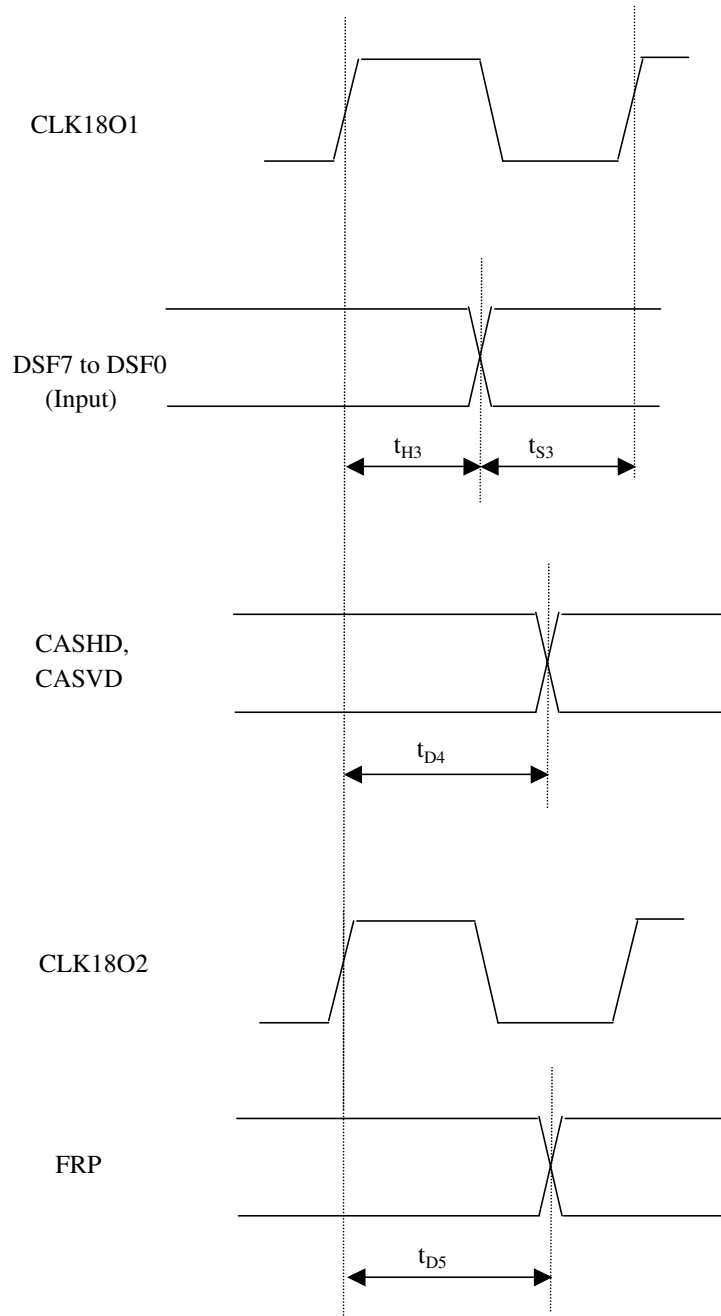
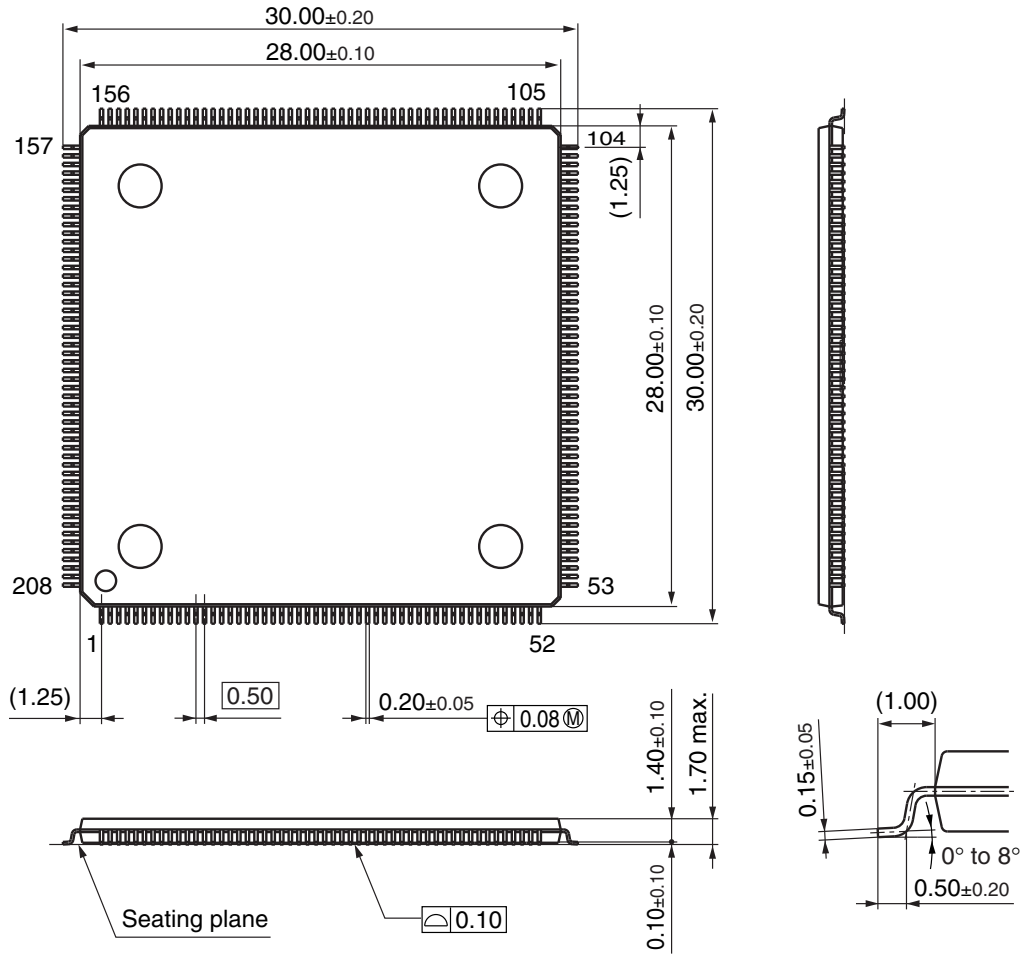


Fig. 3-2 I/O signal timing

Package Dimensions (Unit: mm)

LQFP208-P-2828 (Lead-free package)



Request for your special attention and precautions in using the technical information and semiconductors described in this book

- (1) An export permit needs to be obtained from the competent authorities of the Japanese Government if any of the products or technologies described in this book and controlled under the "Foreign Exchange and Foreign Trade Law" is to be exported or taken out of Japan.
- (2) The technical information described in this book is limited to showing representative characteristics and applied circuits examples of the products. It neither warrants non-infringement of intellectual property right or any other rights owned by our company or a third party, nor grants any license.
- (3) We are not liable for the infringement of rights owned by a third party arising out of the use of the product or technologies as described in this book.
- (4) The products described in this book are intended to be used for standard applications or general electronic equipment (such as office equipment, communications equipment, measuring instruments and household appliances).
Consult our sales staff in advance for information on the following applications:
 - Special applications (such as for airplanes, aerospace, automobiles, traffic control equipment, combustion equipment, life support systems and safety devices) in which exceptional quality and reliability are required, or if the failure or malfunction of the products may directly jeopardize life or harm the human body.
 - Any applications other than the standard applications intended.
- (5) The products and product specifications described in this book are subject to change without notice for modification and/or improvement. At the final stage of your design, purchasing, or use of the products, therefore, ask for the most up-to-date Product Standards in advance to make sure that the latest specifications satisfy your requirements.
- (6) When designing your equipment, comply with the guaranteed values, in particular those of maximum rating, the range of operating power supply voltage, and heat radiation characteristics. Otherwise, we will not be liable for any defect which may arise later in your equipment.
Even when the products are used within the guaranteed values, take into the consideration of incidence of break down and failure mode, possible to occur to semiconductor products. Measures on the systems such as redundant design, arresting the spread of fire or preventing glitch are recommended in order to prevent physical injury, fire, social damages, for example, by using the products.
- (7) When using products for which damp-proof packing is required, observe the conditions (including shelf life and amount of time let standing of unsealed items) agreed upon when specification sheets are individually exchanged.
- (8) This book may be not reprinted or reproduced whether wholly or partially, without the prior written permission of Matsushita Electric Industrial Co., Ltd.