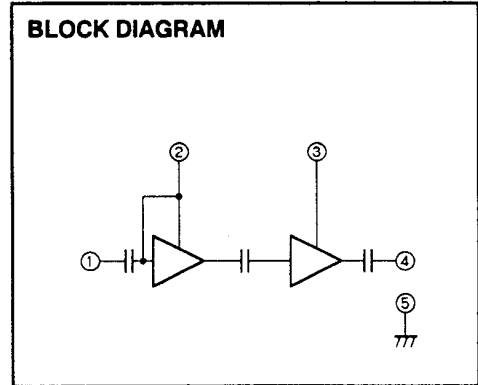
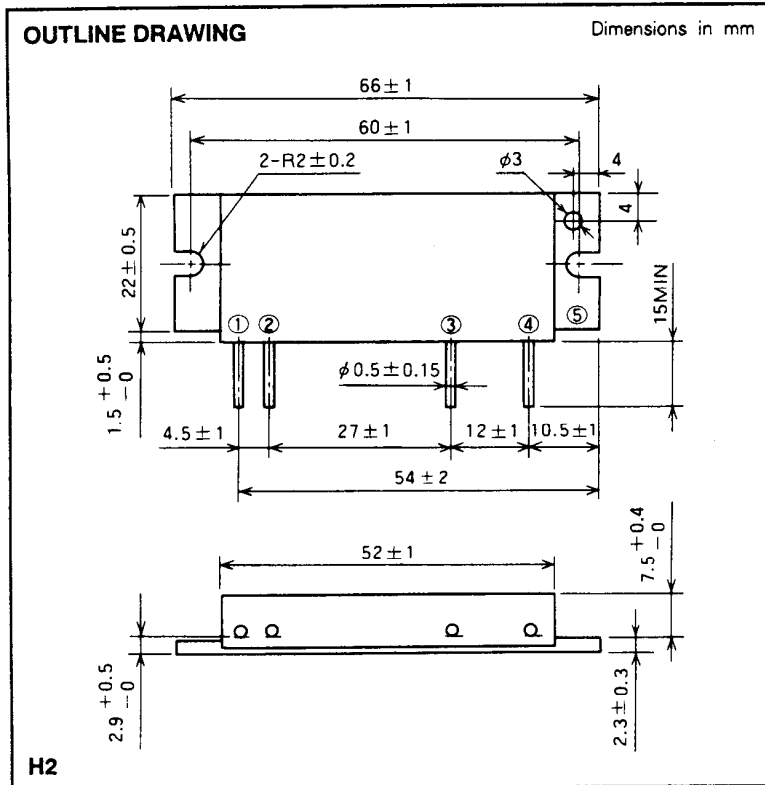


M68729

220-245MHz, 12.5V, 30W, FM MOBILE RADIO



- PIN :
- ① Pin : RF INPUT
 - ② Vcc1 : 1st. DC SUPPLY
 - ③ Vcc2 : 2nd. DC SUPPLY
 - ④ Po : RF OUTPUT
 - ⑤ GND : FIN

ABSOLUTE MAXIMUM RATINGS (Tc = 25°C unless otherwise noted)

Symbol	Parameter	Conditions	Ratings	Unit
Vcc	Supply voltage		17	V
Icc	Total current		10	A
Pin(max)	Input power	Vcc1 ≤ 12.5V, ZG = ZL = 50Ω	600	mW
PO(max)	Output power	ZG = ZL = 50Ω	40	W
Tc(OP)	Operation case temperature	ZG = ZL = 50Ω	- 30 to 110	°C
Tstg	Storage temperature		- 40 to 110	°C

Note. Above parameters are guaranteed independently.

ELECTRICAL CHARACTERISTICS (Tc = 25°C unless otherwise noted)

Symbol	Parameter	Test conditions	Limits		Unit
			Min	Max	
f	Frequency range	Vcc = 12.5V Pin = 300mW ZG = ZL = 50Ω	220	245	MHz
Po	Output power		30		W
ηT	Total efficiency		40		%
2fo	2nd. harmonic			- 30	dBc
3fo	3rd. harmonic		- 30	dBc	
ρin	Input VSWR		3	-	
-	Load VSWR tolerance	Vcc = 15.2V Po = 30W (Pin : controlled) Load VSWR=20:1 (All phase), ZG = 50Ω	No degradation or destroy		-

Note. Above parameters, ratings, limits and conditions are subject to change.