

# SCI7654M<sub>0A</sub>/C<sub>0A</sub>

## DC/DC Converter

- Double/Triple/Quadruple Boosting
- 95% Excellent Power Conversion Efficiency
- Built-in Voltage Regulator

### DESCRIPTION

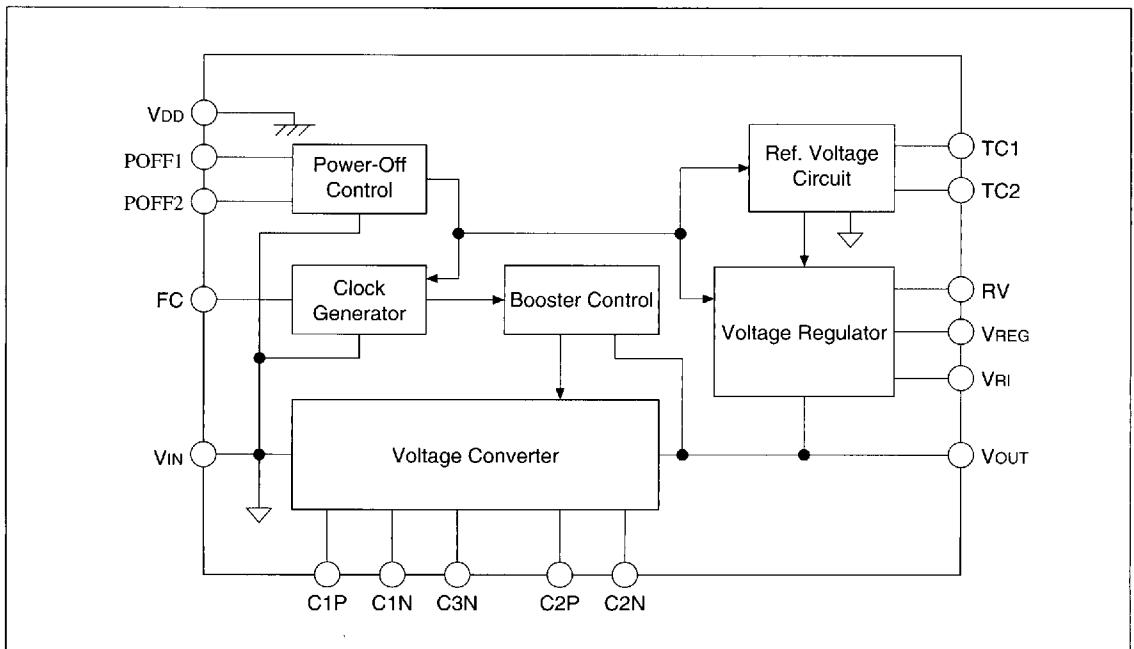
The SCI7654 is a highly efficient, but low power-consumption DC-to-DC converter based on the advanced CMOS technologies. It can generate an output voltage double/triple/quadruple times higher than the input (in negative direction) if 4/3/2 external capacitors are attached.

With a built-in voltage regulator, the SCI7654 can provide a stable output by setting the DC/DC output to any voltage via two external resistors. This is optimum to the LCD panel power supply as the stable output can have the negative temperature gradient required for an LCD panel.

### FEATURES

- An input voltage can be boosted double/triple/quadruple to negative potential.
- Input voltages:  $-2.0$  to  $-5.5\text{V}$  (quadruple boosting),  $-2.0$  to  $-7.3\text{V}$  (triple boosting),  $-2.0$  to  $-11.0\text{V}$  (double boosting)
- Excellent voltage conversion efficiency: 95% (Typ.)
- Large output current: 20 mA (Max.) during quadruple boosting
- Built-in voltage regulator (for stable voltage output)
- Built-in reference voltage source for accurate regulation:  $-1.5 \pm 0.05\text{V}$
- Regulator output voltage temperature gradient function:  $-0.02, -0.15, -0.35, -0.55\%/^{\circ}\text{C}$
- Low current consumption: 130  $\mu\text{A}$  (Typ.)
- Low standby current: 5.0  $\mu\text{A}$  (Max.)
- Built-in oscillator circuit
- 5/6-time voltage boosting in negative potential by serial connection
- Package: SCI7654M<sub>0A</sub> SSOP2-16pin (plastic), SCI7654C<sub>0A</sub> DIP-16pin (plastic)

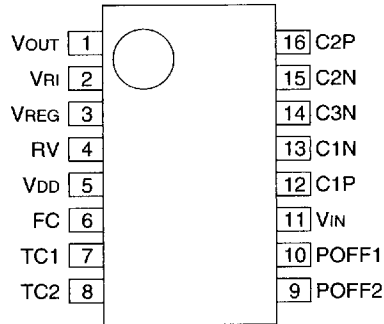
### BLOCK DIAGRAM



3364134 0003900 888

## PIN CONFIGURATION

SSOP2-16pin/DIP-16pin



## PIN DESCRIPTION

| Pin No. | Pin Name | Function   |
|---------|----------|--|
| 1       | VOUT     | Voltage output   |
| 2       | VRI      | Regulator input  |
| 3       | VREG     | Regulator output   |
| 4       | RV       | Input for regulator output voltage adjustment  |
| 5       | VDD      | Power pin (Positive)   |
| 6       | FC       | Internal clock rate switch input, and clock input in serial/parallel connection (Common input pin) |
| 7       | TC1      | Input for regulator output temperature gradient setup (1)  |
| 8       | TC2      | Input for regulator output temperature gradient setup (2)  |
| 9       | POFF2    | Power-off control input (2)  |
| 10      | POFF1    | Power-off control input (1)  |
| 11      | VIN      | Power voltage (negative side)  |
| 12      | C1P      | Common double and quadruple boosting capacitor positive pin  |
| 13      | C1N      | Double boosting capacitor negative pin   |
| 14      | C3N      | Quadruple boosting capacitor negative pin  |
| 15      | C2N      | Triple boosting capacitor negative pin   |
| 16      | C2P      | Triple boosting capacitor positive pin   |

3364134 0003901 714

**ABSOLUTE MAXIMUM RATINGS**

| Rating                         | Symbol           | Min.                   | Max.                     | Unit | Remark   |
|--------------------------------|------------------|------------------------|--------------------------|------|--|
| Input Power Voltage            | V <sub>IN</sub>  | -26.0/N                | V <sub>DD</sub> +0.3     | V    | N=Boosting time; at V <sub>IN</sub> pin                        |
| Input Pin Voltage              | V <sub>I</sub>   | V <sub>IN</sub> -0.3   | V <sub>DD</sub> +0.3     | V    | POFF1, POFF2<br>TC1, TC2, FC pins                              |
| Output Pin Voltage 1           | V <sub>OC1</sub> | V <sub>IN</sub> -0.3   | V <sub>DD</sub> +0.3     | V    | At C1P and C2P pins  |
| Output Pin Voltage 2           | V <sub>OC2</sub> | 2×V <sub>IN</sub> -0.3 | V <sub>IN</sub> +0.3     | V    | At C1N pin   |
| Output Pin Voltage 3           | V <sub>OC3</sub> | 3×V <sub>IN</sub> -0.3 | 2 × V <sub>IN</sub> +0.3 | V    | At C2N pin   |
| Output Pin Voltage 4           | V <sub>OC4</sub> | 4×V <sub>IN</sub> -0.3 | 3 × V <sub>IN</sub> +0.3 | V    | At C3N pin   |
| Regulator Input Power Voltage  | V <sub>RI</sub>  | N×V <sub>IN</sub> -0.3 | V <sub>DD</sub> +0.3     | V    | N=Boosting time; at V <sub>RI</sub> pin                        |
| Regulator Input Pin Voltage    | V <sub>RV</sub>  | N×V <sub>IN</sub> -0.3 | V <sub>DD</sub> +0.3     | V    | N=Boosting time; at RV pin                                     |
| Output Voltage                 | V <sub>O</sub>   | N×V <sub>IN</sub> -0.3 | V <sub>DD</sub> +0.3     | V    | N=Boosting time; at V <sub>OUT</sub> and V <sub>REG</sub> pins |
| Input Current                  | I <sub>IN</sub>  | —                      | 80                       | mA   | At V <sub>IN</sub> pin   |
| Output Current                 | I <sub>OUT</sub> | —                      | N≤4: 20<br>N>4: 80/N     | mA   | N=Boosting time; at V <sub>OUT</sub> and V <sub>REG</sub> pins |
| Allowable Loss                 | P <sub>d</sub>   | —                      | 210                      | mW   | —  |
| Operating Temperature          | T <sub>opr</sub> | -30                    | 85                       | °C   | —  |
| Storage Temperature            | T <sub>stg</sub> | -55                    | 150                      | °C   | —  |
| Soldering Temperature and Time | T <sub>sol</sub> | —                      | 260•10                   | °C•S | Temperature at leads   |

**ELECTRICAL CHARACTERISTICS**

(Unless otherwise designated: Ta=-30°C to +85°C, V<sub>DD</sub>=0V, V<sub>IN</sub>=-5.0V)

| Characteristic                          | Symbol            | Condition   | Min.  | Typ. | Max. | Unit |
|---|-------------------|---|-------|------|------|------|
| Input Power Voltage 1                   | V <sub>IN1</sub>  | During quadruple boosting   | -5.5  | —    | -2.0 | V    |
| Input Power Voltage 2                   | V <sub>IN2</sub>  | During triple boosting  | -7.3  | —    | -2.0 | V    |
| Input Power Voltage 3                   | V <sub>IN3</sub>  | During double boosting  | -11   | —    | -2.0 | V    |
| Input Power Voltage N                   | V <sub>INN</sub>  | During large-time boosting using external diodes  | -22/N | —    | -2.0 | V    |
| Boost Startup Input Power Voltage       | V <sub>STA</sub>  | N=Boosting time, I <sub>OUT</sub> <200 μA, FC=V <sub>DD</sub>   | -22/N | —    | -2.4 | V    |
| Booster Output Voltage                  | V <sub>OUT</sub>  | —   | -22   | —    | —    | V    |
| Regulator Input Voltage                 | V <sub>RI</sub>   | —   | -22   | —    | -2.0 | V    |
| Regulator Output Voltage                | V <sub>REG</sub>  | I <sub>REG</sub> =0, V <sub>RI</sub> =-22V, R <sub>RV</sub> =1MΩ  | —     | —    | -2.0 | V    |
| Booster Output Impedance                | R <sub>OUT</sub>  | I <sub>OUT</sub> =10mA, during quadruple boosting   | —     | 200  | 300  | Ω    |
| Booster Power Conversion Efficiency     | P <sub>eff</sub>  | I <sub>OUT</sub> =2 mA; during quadruple boosting; C1, C2, C3, C <sub>OUT</sub> =10μF Tantalum                                      | —     | 95   | —    | %    |
| Booster Operating Current Consumption 1 | I <sub>OPR1</sub> | FC=V <sub>DD</sub> , POFF1=V <sub>IN</sub> , POFF2=V <sub>DD</sub> ; during no loading; C1, C2, C3, C <sub>OUT</sub> =10μF Tantalum | —     | 130  | 220  | μA   |
| Booster Operating Current Consumption 2 | I <sub>OPR2</sub> | FC=V <sub>IN</sub> , POFF1=V <sub>IN</sub> , POFF2=V <sub>DD</sub> ; during no loading; C1, C2, C3, C <sub>OUT</sub> =10μF Tantalum | —     | 520  | 880  | μA   |
| Regulator Operating Current Consumption | I <sub>OPVR</sub> | V <sub>RI</sub> =-20 V, during no loading, R <sub>RV</sub> =1 MΩ  | —     | 10   | 15   | μA   |

3364134 0003902 650

## ■ ELECTRICAL CHARACTERISTICS (continued)

| Characteristic   | Symbol                   | Condition  | Min.               | Typ.  | Max.               | Unit |
|--|--------------------------|--|--------------------|-------|--------------------|------|
| Static Current   | I <sub>Q</sub>           | POFF1=V <sub>IN</sub> , POFF2=V <sub>IN</sub> , FC=V <sub>DD</sub>                     | —                  | —     | 5.0                | μA   |
| Input Leakage Current                                  | I <sub>LN</sub>          | At POFF1, POFF2, FC, TC1, TC2 pins   | —                  | —     | 0.5                | μA   |
| Stable Output Saturation Resistance                    | R <sub>SAT</sub><br>(*1) | 0<I <sub>REG</sub> <20mA<br>RV=V <sub>DD</sub><br>Ta=25°C                              | —                  | 10    | 20                 | Ω    |
| Stable Output Voltage Stability                        | D <sub>VR</sub><br>(*2)  | -20V<V <sub>RI</sub> <-10V, I <sub>REG</sub> =1mA<br>V <sub>REG</sub> =-15V<br>Ta=25°C | —                  | 0.2   | —                  | %/V  |
| Stable Output Load Variation                           | D <sub>V0</sub><br>(*3)  | V <sub>RI</sub> =-20V V <sub>REG</sub> =-15V<br>Ta=25°C<br>0<I <sub>REG</sub> <20mA    | —                  | 30    | 50                 | mV   |
| Reference Voltage<br>(Ta = 25°C)                       | V <sub>REF0</sub>        | TC1 = V <sub>DD</sub> , TC2 = V <sub>DD</sub>  | -1.55              | -1.50 | -1.45              | V    |
|  | V <sub>REF1</sub>        | TC1 = V <sub>DD</sub> , TC2 = V <sub>IN</sub>  | -1.70              | -1.50 | -1.30              | V    |
|  | V <sub>REF2</sub>        | TC1 = V <sub>IN</sub> , TC2 = V <sub>DD</sub>  | -1.90              | -1.50 | -1.10              | V    |
|  | V <sub>REF3</sub>        | TC1 = V <sub>IN</sub> , TC2 = V <sub>IN</sub>  | -2.15              | -1.50 | -0.85              | V    |
| Reference Voltage Temperature Coefficient (*4)<br>(*5) | CT <sub>0</sub>          | TC1 = V <sub>DD</sub> , TC2 = V <sub>DD</sub> , SSO package                            | -0.07              | -0.04 | 0                  | %/°C |
|  | CT <sub>1</sub>          | TC1 = V <sub>DD</sub> , TC2 = V <sub>IN</sub> , SSO package                            | -0.25              | -0.15 | -0.07              | %/°C |
|  | CT <sub>2</sub>          | TC1 = V <sub>IN</sub> , TC2 = V <sub>DD</sub> , SSO package                            | -0.45              | -0.35 | -0.20              | %/°C |
|  | CT <sub>3</sub>          | TC1 = V <sub>IN</sub> , TC2 = V <sub>IN</sub> , SSO package                            | -0.75              | -0.55 | -0.30              | %/°C |
| Input Voltage Level                                    | V <sub>IH</sub>          | V <sub>IN</sub> = -2.0V to -5.5V<br>At POFF1, POFF2, FC, TC1,<br>TC2 pins              | 0.2V <sub>IN</sub> | —     | —                  | V    |
|  | V <sub>IL</sub>          | V <sub>IN</sub> = -2.0V to -5.5V<br>At POFF1, POFF2, FC, TC1,<br>TC2 pins              | —                  | —     | 0.8V <sub>IN</sub> | V    |
| Capacitance of Booster Capacitors                      | C <sub>MAX</sub>         | Capacitors<br>C1, C2, C3   | —                  | —     | 47                 | μF   |

$$(*1) R_{SAT} = \frac{\Delta(V_{REG} - V_{OUT})}{\Delta I_{REG}}$$

$$(*2) V_R = \frac{\Delta V_{REG}}{\Delta V_{OUT} \cdot V_{REG}}$$

$$(*3) R_0 = \frac{\Delta V_{REG}}{\Delta I_{REG}}$$

$$(*4) CT = \frac{|V_{REF}(50^\circ C) - V_{REF}(0^\circ C)|}{50^\circ C - 0^\circ C} \times \frac{100}{|V_{REF}(25^\circ C)|}$$

(\*5) The reference voltage temperature coefficient of each chip product may vary depending on the used molding materials. Perform the temperature test before use.

**FUNCTIONAL DESCRIPTION**

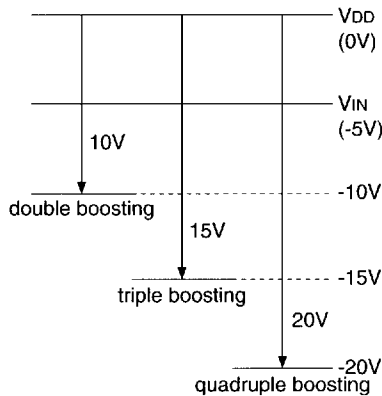
**● Clock Generator Circuit**

As the SCI7654 has a built-in clock generator circuit, it requires no external source at all. The clock rate changes depending on the FC pin signal level, and the Low Output or High Output mode can be selected. This allows a frequency selection according to the current capacitance and load current when the booster output impedance changes depending on the clock rate and external booster capacitance.

| FC pin  | Mode        | Clock Rate      | Current Consumption    | Output Ripple           |
|---------|-------------|-----------------|------------------------|-------------------------|
| H (VDD) | Low Output  | 4.0 kHz (Typ.)  | IOP                    | VRP                     |
| L (VIN) | High Output | 16.0 kHz (Typ.) | Approx. 4 times of IOP | Approx. 1/4 time of VRI |

**● Voltage Converter Circuit**

The voltage converter receives a clock from the clock generator, and boosts the VIN input power voltage quadruple, triple or double. Four converter circuits are required for quadruple boosting, three converters are required for triple boosting, and dual converters are required for double boosting.



Voltage step-up diagram (during -5V input)

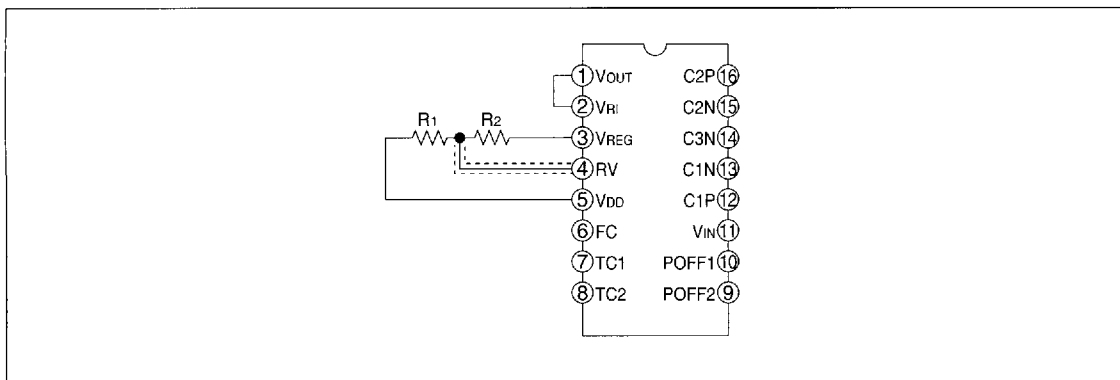
**● Reference Voltage Circuit**

The SCI7654 has a built-in reference voltage circuit for the voltage regulator. The temperature coefficient of reference voltage can be changed using pins TC1 and TC2, and a voltage having one of four types of temperature gradients can be output at VREG pin for LCD driving.

| Mode | TC1    | TC2    | Reference Voltage, VREF (V) |      |       | Temperature Coefficient, CT (%/°C) |       |       |
|------|--------|--------|-----------------------------|------|-------|------------------------------------|-------|-------|
|      |        |        | Min.                        | Typ. | Max.  | Min.                               | Typ.  | Max.  |
| CT0  | H(VDD) | H(VDD) | -1.55                       | -1.5 | -1.45 | -0.07                              | -0.04 | 0     |
| CT1  | H      | L(VIN) | -1.70                       | -1.5 | -1.30 | -0.25                              | -0.15 | -0.07 |
| CT2  | L(VIN) | H      | -1.90                       | -1.5 | -1.10 | -0.45                              | -0.35 | -0.20 |
| CT3  | L      | L      | -2.15                       | -1.5 | -0.85 | -0.75                              | -0.55 | -0.30 |

## ● Voltage Regulator Circuit

The circuit receives a voltage from V<sub>RI</sub> pin, stabilizes it, and outputs at any voltage. The output is adjustable with a ratio of R<sub>1</sub> and R<sub>2</sub> external divider resistors. Although the sum of divider resistors is desirable to be minimum to prevent an interference due to external noise, 100 to 1 megohms are recommended as the current consumption may be increased by the divider resistors.



## ● Power Off Control

The SCI7654 has an automatic power-off function, and can turn on or off each function depending on the external signals entered in POFF1 and POFF2 pins.

| Mode | POFF1               | POFF2               | Function Status |          |           |  |
|------|---------------------|---------------------|-----------------|----------|-----------|--|
|      |                     |                     | Oscillator      | Booster  | Regulator | Description  |
| PS1  | H(V <sub>DD</sub> ) | L(V <sub>IN</sub> ) | ON              | ON       | ON        | All circuits are turned ON.  |
| PS2  | L                   | L                   | OFF             | OFF (*1) | OFF (*2)  | All circuits are turned OFF.   |
| PS3  | H                   | H                   | OFF             | ON       | ON        | Slave side (booster and regulator) in parallel connection                                    |
| PS4  | L                   | H                   | ON              | ON       | OFF       | Master side (for booster only) in parallel connection; first stage in serial connection (*3) |

\*1 When the booster circuit is OFF, approximately V<sub>IN</sub> +0.6V voltage appears at V<sub>OUT</sub> pin.

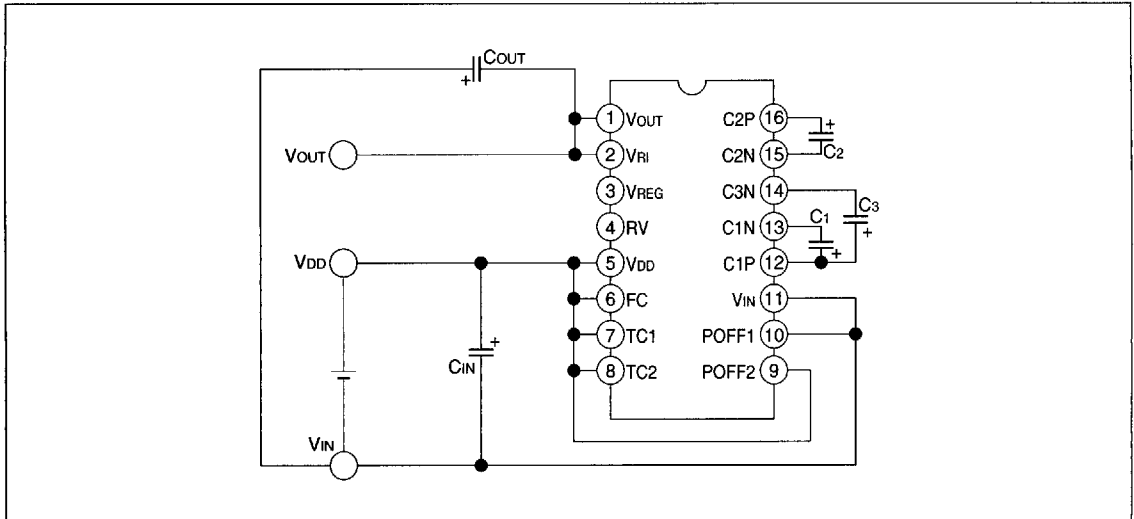
\*2 When the regulator is OFF, the V<sub>REG</sub> pin is set to the high-impedance status.

\*3 The mode selected depends on the line connection at the second stage of serial connection.

REFERENCE CIRCUIT EXAMPLE

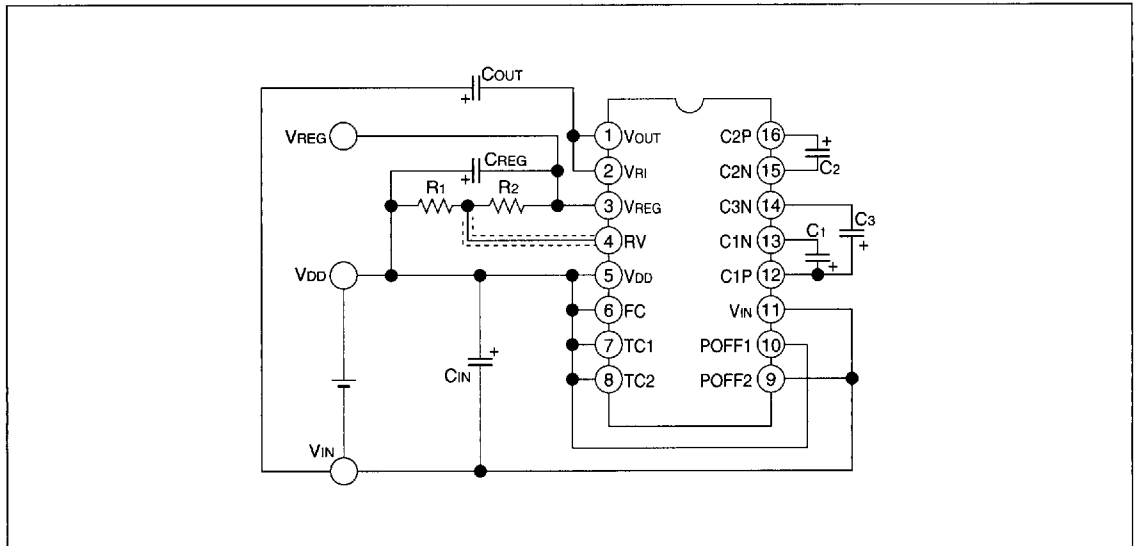
● Four-time booster circuit

This example drives the booster circuit only, boosts the  $V_{IN}$  input voltage four times in negative direction, and outputs it at the  $V_{OUT}$  pin. However, this does not have a voltage regulator and the voltage at  $V_{OUT}$  pin may have a ripple.

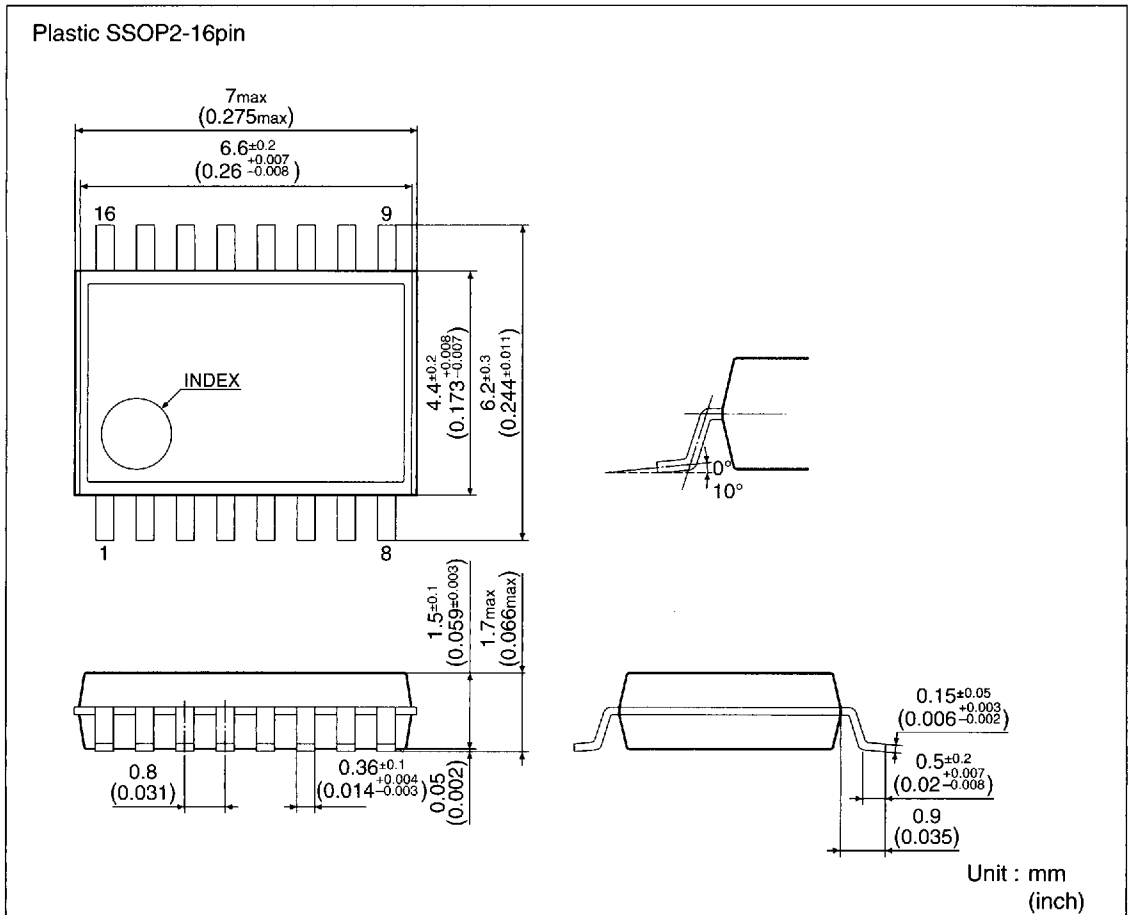


● Four-time booster and regulator circuits

This example receives a boost output from  $V_{OUT}$  pin, stabilizes it via the voltage regulator circuit, and outputs a voltage having the temperature gradient at  $V_{REG}$  pin via the temperature gradient selector circuit.



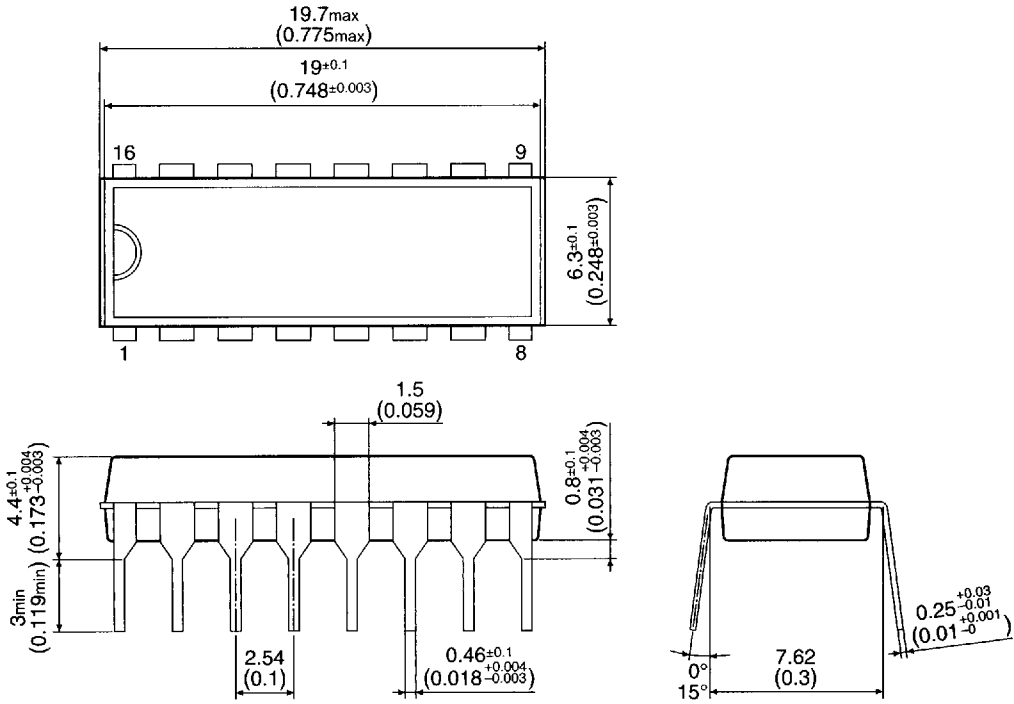
## ■ PACKAGE DIMENSIONS



■ 3364134 0003907 132 ■



Plastic DIP-16pin



Unit : mm  
(inch)

3364134 0003908 079