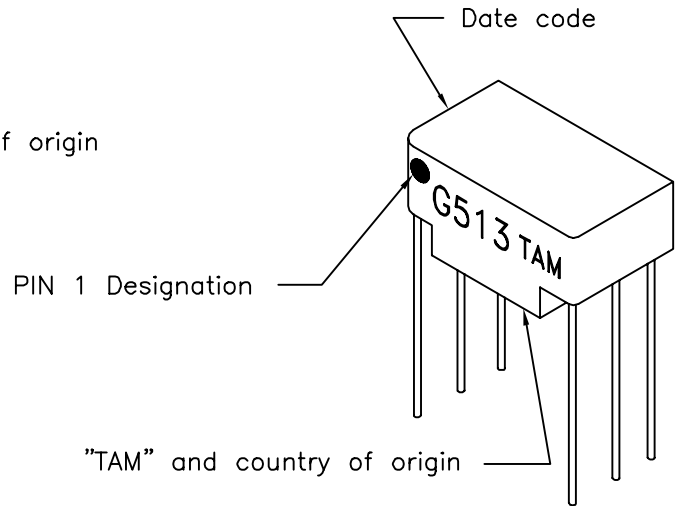
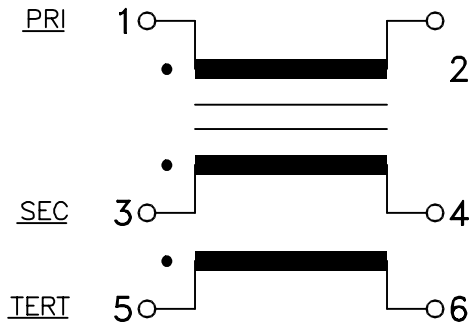


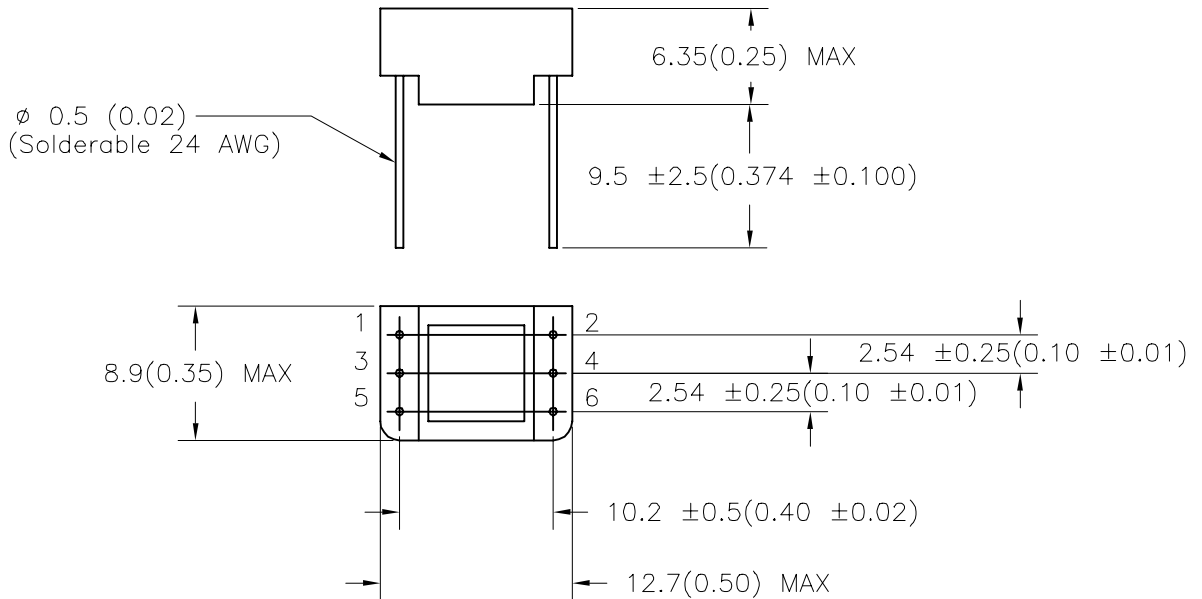
- A. Electrical specification (@ 25°C)
1. Power rating;
500 mW
 2. Dielectric strength;
1.5K VAC 1 minute between primary and secondary, primary and tertiary
 3. Insulation resistance;
10,000 MΩ MIN @ 500 VDC
 4. Turns ratio;
(1-2) : (3-4) : (5-6) = 1 : 1 : 1 ±5%
 5. Primary open circuit inductance;
1.2 mH MIN @ 10 KHz, 20 mV (1-2)
 6. Primary ET-constant
10.0V- μs MIN
 7. Rise time;
5.3 ns MAX
 8. Interwinding capacitance between primary and secondary;
25 PF MAX @ 100 KHz
 9. Primary leakage inductance with shorted secondary;
0.5 μH MAX @ 100 KHz
 10. DC Resistance;
Primary (1-2) 0.7 Ω MAX
Secondary (3-4) 0.7 Ω MAX
Tertiary (5-6) 0.7 Ω MAX

- B. Marking;
G513, TAM, date code and country of origin

- C. Schematic diagram



- D. Mechanical Specification



PREPARED BY: K. Brennan	DWG CONTROL NO. P-A1-11330 ACAD\G-SER\A113301.DWG	REV -	PULSE TRANSFORMER	G513 MODEL SPECIFICATION		
ENGINEER: T. Shiozawa	CONTENTS OF THIS DRAWING ARE SUBJECT TO CHANGE WITHOUT PRIOR NOTICE		TAMURA CORPORATION OF AMERICA 43352 BUSINESS PARK DRIVE, TEMECULA, CA. 92590-6624 (909) 699-1270 FAX 9096769482			
APPROVED: V. Casey	PROPRIETARY NOTICE: THIS DRAWING PRINT OR DOCUMENT AND SUBJECT MATTER DISCLOSED HEREIN ARE PROPRIETARY ITEMS TO WHICH TAMURA RETAINS THE EXCLUSIVE RIGHT OF DISSEMINATION, REPRODUCTION, MANUFACTURE AND SALE. THIS DRAWING, PRINT OR DOCUMENT IS SUBMITTED IN CONFIDENCE FOR CONSIDERATION BY THE RECIPIENT ALONE UNLESS PERMISSION FOR FURTHER DISCLOSURE IS EXPRESSLY GRANTED IN WRITING.			DIM: mm(In)	SCL: 2/1	SH: 1 OF 1