



LB8111V

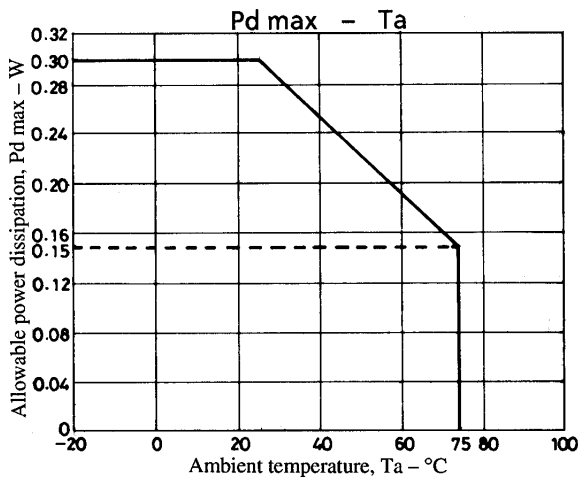
8mm VCR Sensor Amplifier

Overview

The LB8111V is equipped with built-in amplifiers for use with reel FG, drum FG and drum PG applications to make this IC most suitable for portable VCR (Video Cassette Recorder) applications.

Features

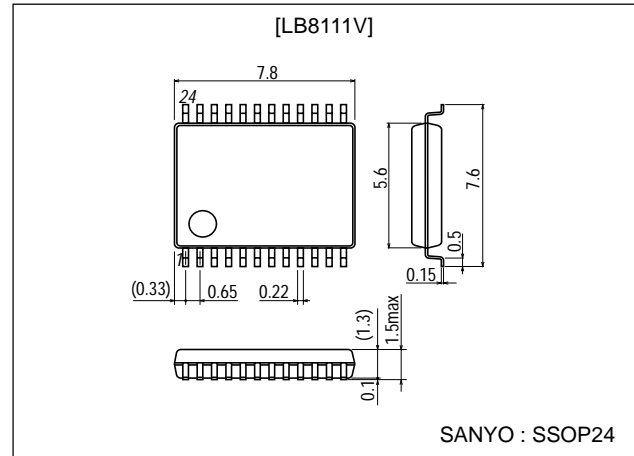
- Built-in 2-channel reed FG amplifier.
- Built-in drum FG amplifier.
- Built-in drum PG amplifier.



Package Dimensions

unit:mm

3175B-SSOP24



Specifications

Absolute Maximum Ratings at Ta = 25°C

Parameter	Symbol	Conditions	Ratings	Unit
Maximum supply voltage	V _{CC} max		7	V
Allowable power dissipation	Pd max		0.3	W
Operating temperature	Topr		-20 to +75	°C
Storage temperature	Tstg		-55 to +125	°C

Allowable Operating Ranges at Ta = 25°C

Parameter	Symbol	Conditions	Ratings	Unit
Supply voltage	V _{CC}		4.0 to 5.5	V

■ Any and all SANYO products described or contained herein do not have specifications that can handle applications that require extremely high levels of reliability, such as life-support systems, aircraft's control systems, or other applications whose failure can be reasonably expected to result in serious physical and/or material damage. Consult with your SANYO representative nearest you before using any SANYO products described or contained herein in such applications.

■ SANYO assumes no responsibility for equipment failures that result from using products at values that exceed, even momentarily, rated values (such as maximum ratings, operating condition ranges, or other parameters) listed in products specifications of any and all SANYO products described or contained herein.

SANYO Electric Co., Ltd. Semiconductor Company

TOKYO OFFICE Tokyo Bldg., 1-10, 1 Chome, Ueno, Taito-ku, TOKYO, 110-8534 JAPAN

22801TN (KT)/42093TS A8-8956 No.4184-1/6

LB8111V

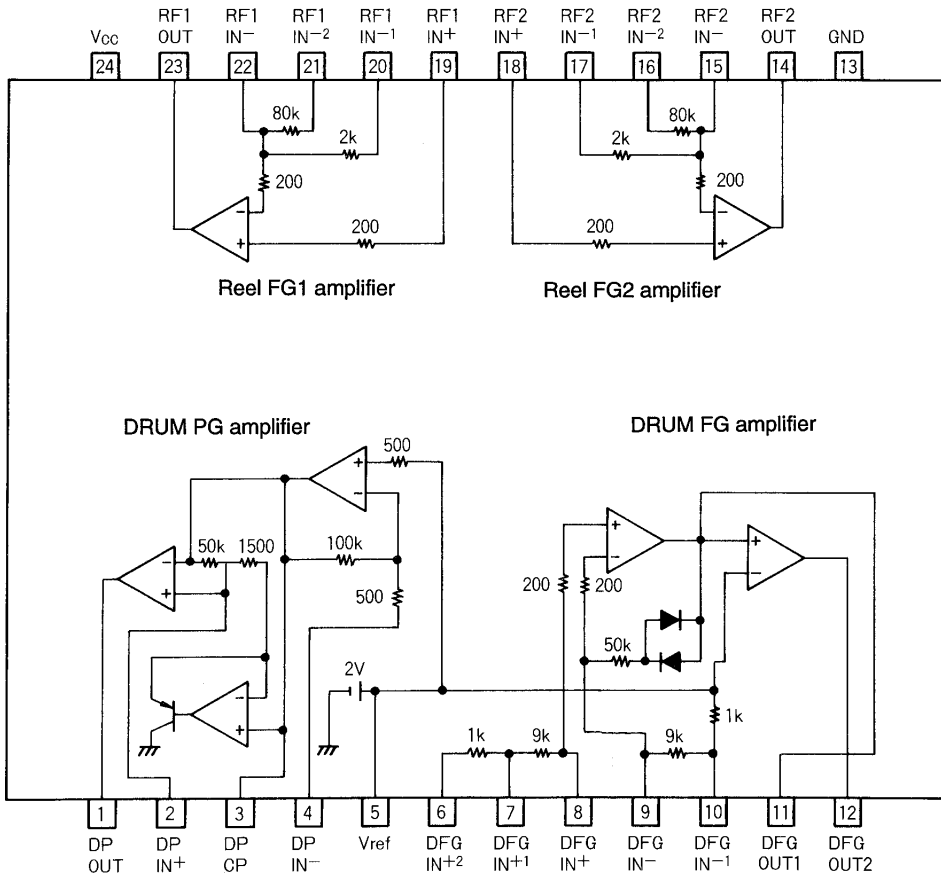
Electrical Characteristics at Ta = 25°C, VCC=5V

Parameter	Symbol	Conditions	Ratings			Unit
			min	typ	max	
Supply current	I_{CC}			3	5	mA
Internal reference voltage	V_{REF}		1.8	2.0	2.2	V
[Reel FG amplifier]						
Input offset voltage	V_{IO}			± 1	± 5	mV
Input bias current	I_B				250	nA
In-phase input voltage range	V_{ICM}		1		4	V
In-phase signal clearance ratio	CMR	*	65	80		dB
Open-loop gain	G_V			55		dB
Source side output saturation voltage	V_{OU}	$I_O = -500\mu A$	3.7			V
Sink side output saturation voltage	V_{OD}	$I_O = 500\mu A$			1.3	V
[Drum FG amplifier]						
Input offset voltage	V_{IO}	*		± 1	± 5	mV
Input bias current	I_B	*			250	nA
In-phase input voltage range	V_{ICM}	*	1		4	V
Output current (sink)	I_{OL}				2	mA
Output ON voltage	V_{OL}			0.2	0.4	V
Output OFF voltage	V_{OH}		4.8			V
Hysteresis width	V_{HIS}	*	70	100	130	mV
[Drum PG amplifier]						
Input offset voltage	V_{IO}			± 1	± 5	mV
Input bias current	I_B	*			500	nA
In-phase input voltage range	V_{ICM}	*	1		4	V
Output current (sink)	I_{OL}				2	mA
Output ON voltage	V_{OL}			0.2	0.4	V
Output OFF voltage	V_{OH}		4.8			V
Schmitt amplifier hysteresis width	V_{SHIS}	*		20		mV

Note : * marks indicate items that were not subject to testing.

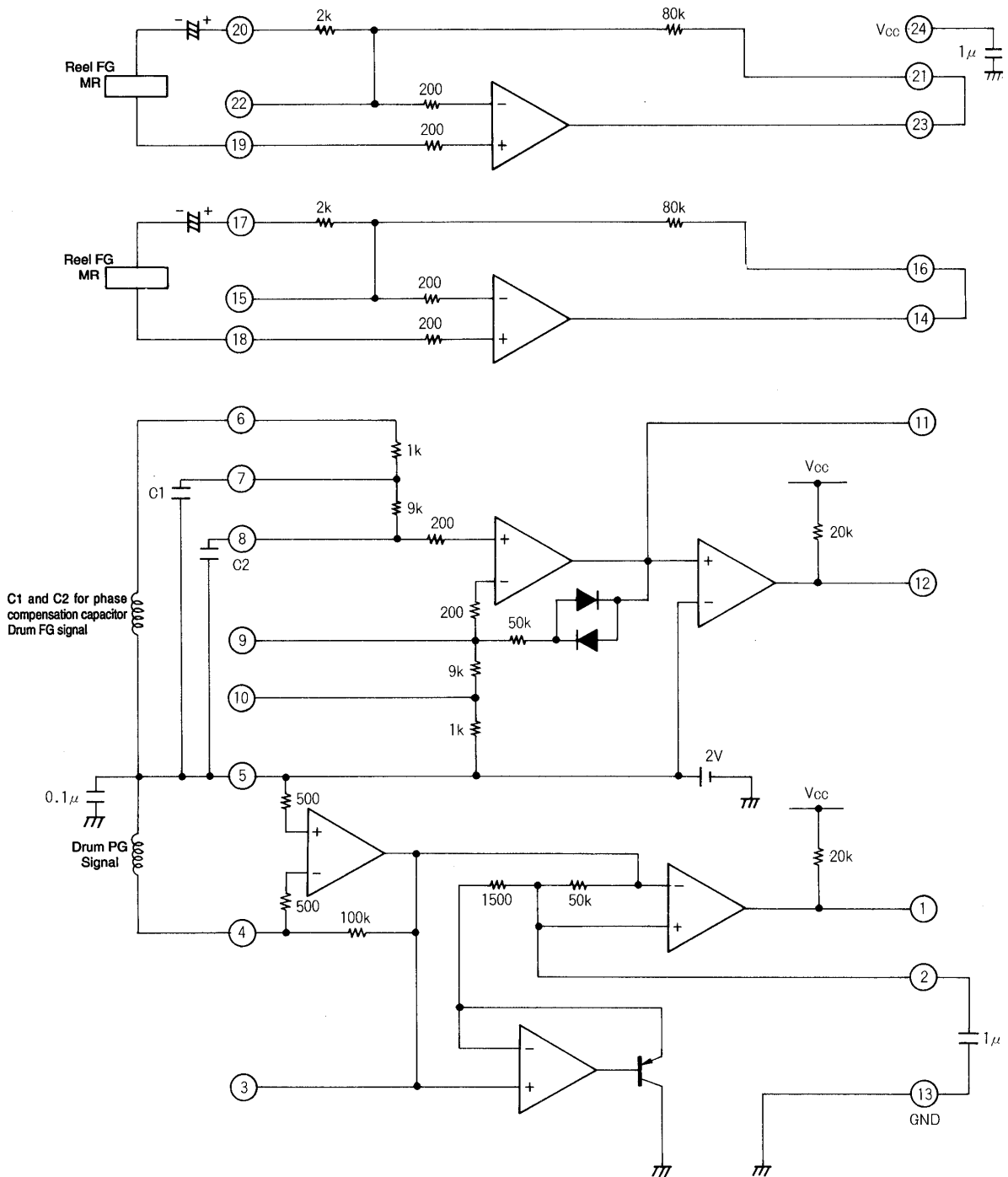
Pin Assignment

Unit (resistance: Ω)



LB8111V

Block Diagram



Unit (resistance: Ω, capacitance: F)

LB8111V

Pin Function

Unit (resistance : Ω)

Pin No.	Pin Symbol	Pin Voltage	Equivalent Circuit	Pin Description
Power supply reel amplifier				
24	V _{CC}			This pin is for total circuit power supply.
13	GND			This pin is for total circuit ground (GND).
5	V _{ref}			This pin is for internal reference voltage (-2V). This voltage is reference voltage for Drum FG and Drum PG amplifiers.
18	R _{EE} LFG2 _{in} ⁺			These pins are for positive (+) inputs for the reel FG amplifiers.
15	R _{EE} LFG2 _{in} ⁻			These pins are for negative (-) inputs for the reel FG amplifiers.
22	R _{EE} LFG1 _{in} ⁻			These pins are for reel FG amplifier negative (-) inputs equipped with 2k input resistors.
17	R _{EE} LFG2 _{in} ⁻ 1			These pins are for reel FG amplifier negative (-) inputs equipped with 80kΩ feed-back resistors.
20	R _{EE} LFG1 _{in} ⁻ 1			
16	R _{EE} LFG2 _{in} ⁻ 2			These pins are for reel FG amplifier output pins.
23	R _{EE} LFG1 _{out}			
Drum PG amplifier				
4	DRUM PGin-			This pin is for Drum PG amplifier input. Inputs PG signal to interval with V _{REF} .

Continued on next page.

LB8111V

Continued from preceding page.

Unit (resistance : Ω)

Pin No.	Pin Symbol	Pin Voltage	Equivalent Circuit	Pin Description
3	DRUM PGC.P			This pin is for Drum PG amplifier first-stage amplifier output. This is the check pin for PG amplifier measurement. (With actual applications, this pin is not used.)
2	DRUM PGin+			This pin is for connecting a Drum PG amplifier peak hold capacitor.
1	DRUM PG _{OUT}			This pin is the Drum PG amplifier output pin.
Drum FG amplifier				
6	DRUM FGin ⁺²			This pin is for Drum FG amplifier positive (+) input equipped with a 1k input resistor. Inputs FG signal to interval with V_{REF} .
7	DRUM FGin ⁺¹			This pin is for Drum FG amplifier positive (+) input equipped with a 9k input resistor.
8	DRUM FGin ⁺			This pin is for Drum FG amplifier positive (+) input.
10	DRUM FGin ⁻¹			This pin is for Drum FG amplifier negative (-) input equipped with a 9k input resistor.
9	DRUM FGin ⁻			This pin is for Drum FG amplifier negative (-) input.

Continued on next page.

LB8111V

Continued from preceding page.

Unit (resistance : Ω)

Pin No.	Pin Symbol	Pin Voltage	Equivalent Circuit	Pin Description
11	DRUM FG _{OUT1}			<p>This pin is for Drum FG amplifier first-stage amplifier output. This is the check pin for FG amplifier measurement. (With actual applications, this pin is not used.)</p>
12	DRUM FG _{OUT2}			<p>This pin is for the Drum FG amplifier output pin.</p>

- Specifications of any and all SANYO products described or contained herein stipulate the performance, characteristics, and functions of the described products in the independent state, and are not guarantees of the performance, characteristics, and functions of the described products as mounted in the customer's products or equipment. To verify symptoms and states that cannot be evaluated in an independent device, the customer should always evaluate and test devices mounted in the customer's products or equipment.
- SANYO Electric Co., Ltd. strives to supply high-quality high-reliability products. However, any and all semiconductor products fail with some probability. It is possible that these probabilistic failures could give rise to accidents or events that could endanger human lives, that could give rise to smoke or fire, or that could cause damage to other property. When designing equipment, adopt safety measures so that these kinds of accidents or events cannot occur. Such measures include but are not limited to protective circuits and error prevention circuits for safe design, redundant design, and structural design.
- In the event that any or all SANYO products (including technical data, services) described or contained herein are controlled under any of applicable local export control laws and regulations, such products must not be exported without obtaining the export license from the authorities concerned in accordance with the above law.
- No part of this publication may be reproduced or transmitted in any form or by any means, electronic or mechanical, including photocopying and recording, or any information storage or retrieval system, or otherwise, without the prior written permission of SANYO Electric Co., Ltd.
- Any and all information described or contained herein are subject to change without notice due to product/technology improvement, etc. When designing equipment, refer to the "Delivery Specification" for the SANYO product that you intend to use.
- Information (including circuit diagrams and circuit parameters) herein is for example only ; it is not guaranteed for volume production. SANYO believes information herein is accurate and reliable, but no guarantees are made or implied regarding its use or any infringements of intellectual property rights or other rights of third parties.

This catalog provides information as of February, 2001. Specifications and information herein are subject to change without notice.