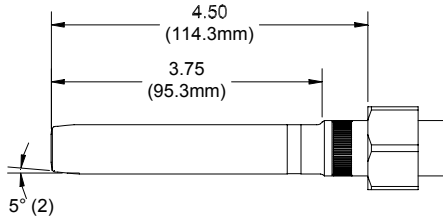
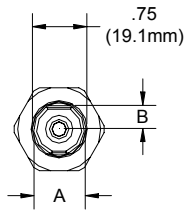


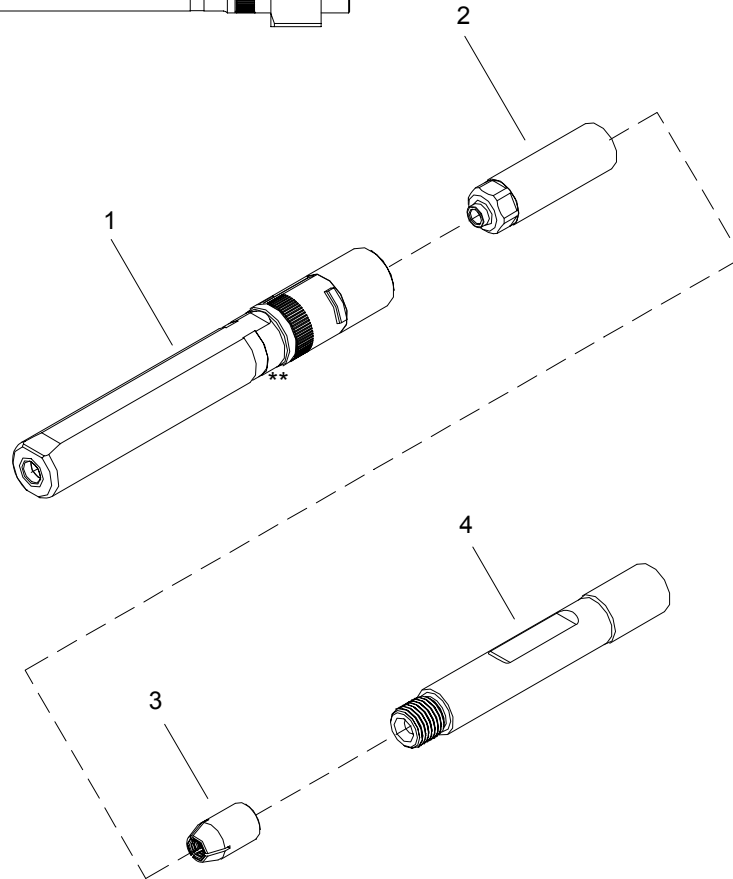
NOSE ASSEMBLY DATA SHEET



Use Hex-Key in rear of piston for nose assembly attachment.

A 05-.635 (16.1mm)
06-.705 (17.9mm)
08-.750 (19.1mm)

B 05-.290 (7.4mm)
06-.320 (8.1mm)
08-.350 (8.9mm)



*Anvil Assembly includes 35208 retainer.

**Yellow band designates nose assemblies for lightweight GP® fasteners.

4/00

GAGE BILT

GAGE BILT PRODUCTS CORP.

14500 Barber Drive (586) 771-7664
Warren, Mi 48088 (586) 771-2665 Fax
e-mail: solutions@gagebilt.com / www.gagebilt.com

Type:
Non Self-Releasing
Chisel Nose
5/32, 3/16 & 1/4 Ø

Fastener:

LGP® Lockbolts

Recommended Tool:
GBP730B
Alternate Tools:
GBP712 & GBP2400

Ref. No.	Qty.	Description	LGP05-730B-45CN	LGP06-730B-45CN	LGP08-730B-45CN
1	1	Anvil Assy.	10573	16611	18808
2	1	Collet	20537	20655	20869
3	1	Super Grip Jaw Assembly	30542-S	30651-S	30858-S
4	1	Collet Extension	70551	70637	70834

LGP® is a registered trademark of Huck Int'l. Inc.