

SEVEN SEGMENT NUMERIC DISPLAY

High Performance Dice
 0.43 inch Character Height
 High Contrast
 Wide Viewing Angle
 Common Anode - MS246A-B (Red), MG246A-B (Green)
 Common Cathode - MS246C-B (Red), MG246C-B (Green)

ABSOLUTE MAXIMUM RATINGS

	MS246A/C-B	MG246A/C-B
Power Dissipation / Segment	40mW	90mW
Peak Forward Current / Segment*	60mA	100mA
Continuous Forward Current / Segment	15mA	30mA
Reverse Voltage / Segment		5V
Operating Temperature Range		-25 to +85°C
Storage Temperature Range		-25 to +85°C
Lead Soldering Temperature (1/16" from body)		260°C for 5 sec.

* Note : Pulse Width = 0.1mS, Duty Ratio = 1/10.

ELECTRO-OPTICAL CHARACTERISTICS /Segment (Ta=25°C)

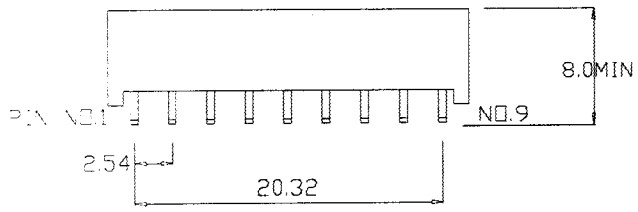
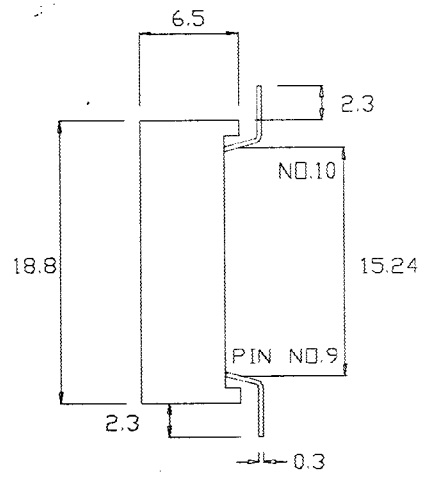
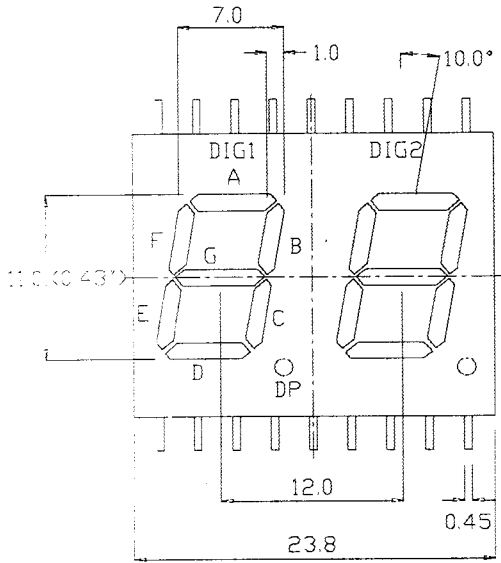
PARAMETER	SYMBOL	MIN	TYP	MAX	UNIT	CONDITIONS
Forward Voltage	MS246			3.0	V	I _F = 20mA
	MG246			3.0	V	I _F = 20mA
Luminous Intensity	MS246	350			mcd	I _F = 10mA
	MG246	800			mcd	I _F = 10mA
Segment to Segment Luminous Intensity Ratio	MS246			2:1		I _F = 20mA
	MG246			2:1		I _F = 20mA
Wave length at Peak Emission	MS246		700		nm	I _F = 20mA
	MG246		570		nm	I _F = 20mA
Spectral Line Half Width	MS246		100		nm	I _F = 20mA
	MG246		30		nm	I _F = 20mA



MICRO ELECTRONICS LTD.

38, Hung To Road, Microtron Bulding, Kwun Tong, Kowloon, Hong Kong.
 Kwun Tong P.O. Box 69477 Hong Kong. Fax No. 2341 0321 Telex:43510 Micro Hx. Tel: 2343 0181-5

MECHANICAL OUTLINE:

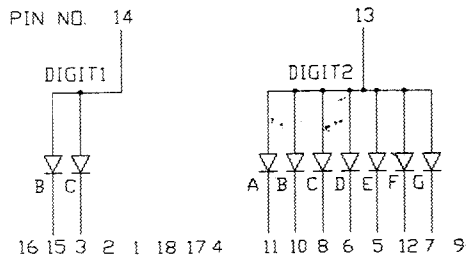


UNIT: MM
TOL: ±0.3MM

CIRCUIT DIAGRAM:

(A)

A/C



(B)

C/C

