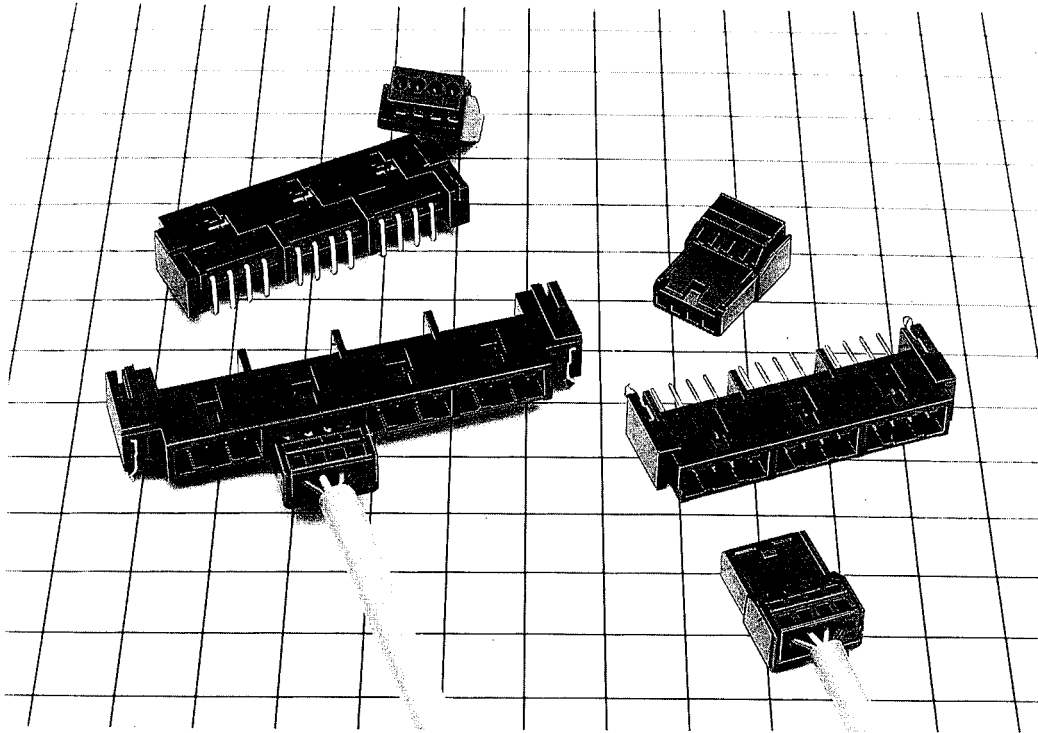


TELEPHONE SWITCH SYSTEM IDC CONNECTOR MQ115 SERIES

Scope

MQ115 series connectors are 2.54mm pitch (1 row) connector. MQ115 series connectors meet the demand of con-

nection in main units and branch boxes of telephone switch systems.



Feature

1. Applicable cable diameter: 0.4 ~ 0.65mm
2. IDC crimping
3. United insulator of body and cover prevents piece parts loss and provides easy assembling.
4. Easy assembling without special jigs.
5. Reliable assembling by cut only of the excess wires and

easy examination of contact continuity under mating condition.

6. Gang jack receptable provides multi connection.
7. Black and blue are available for insulator color. This provides easy distinction of input and output.

Application

Digital telephone, digital PBX, interphone and various equipments.

Electric Performance

Items	Standard Valve
Current rating	2A
Rated voltage	AC 250V
Insulation resistance	Min. 100MΩ at DC 500V
Contact resistance	Max. 30mΩ at DC 100mA
Withstanding voltage	Min. 1 minute at AC 750Vr.m.s.

Material & Finish

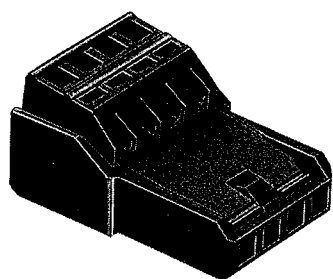
Parts		Materials	Finish
Plug	Insulator	Polyamide resin	black, blue UL94V-0
	Contact	Copper alloy	Solder plating
Receptacle	Insulator	PBT resin	black, blue UL94V-0
	Contact	Copper alloy	Solder plating
	Metal plate	Copper alloy	Solder plating

Ordering Information

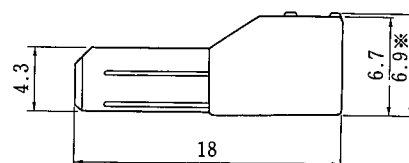
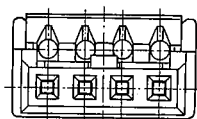
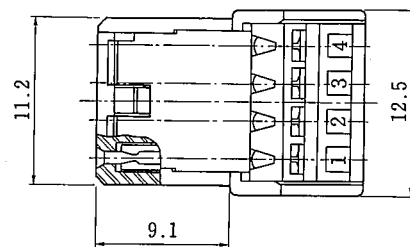
MQ115 - 4 PA - 1 A (01)
 (1) (2) (3) (4) (5) (6)

- (1) Series No.
- (2) No. of pins
- (3) Type
 - P: PCB mount receptacle
Straight dip
 - PA: PCB mount receptacle
Right angle dip
 - S: IDC plug
- (4) No. of gangs
 - 2: 2 gangs
 - 3: 3 gangs
- (5) Contacts/Cavities
 - A: 4/4 (4 contacts/4 cavities)
 - B: 2/4 (2 contacts in the center/4 cavities)
- (6) Insulation color
 - Blank: Black (Standard)
 - (01) : Blue

IDC Plug



CL206-5131-0
MQ115-4S-1A



※ Dimension after crimping

CL code	Part No.	No. of contact
CL206-5131-0	MQ115-4S-1A	4

Applicable wire	
Core diameter	Jacket diameter
$\phi 0.4$	$\phi 0.66$
$\phi 0.5$	$\phi 0.8$
$\phi 0.65$	$\phi 1.05$ (MAX1.2)

Assembling Procedure

1. Run wires through insertion holes of plug (Fig. 1)
2. IDC crimp with pincher (Fig. 2)
3. Cut the excess wires with cutting plier (Fig. 3)

Note 1. Push cover until cover is locked on body (IDC crimping)

2. Pull the excess wires (Fig. 3), thrust wires into V-shaped channel and cut the excess wires at the slope of insulator.

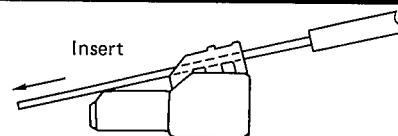


Fig. 1

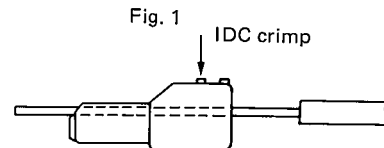


Fig. 2

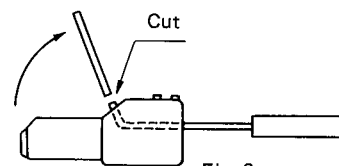
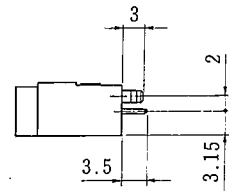
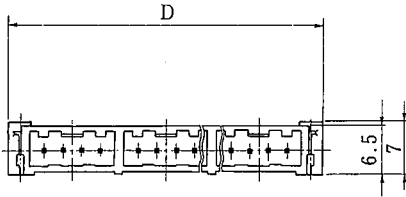
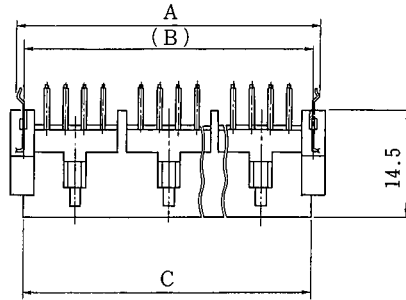
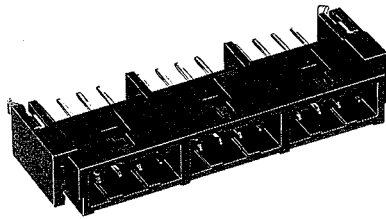


Fig. 3

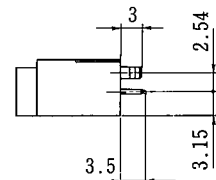
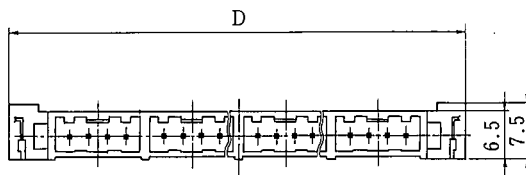
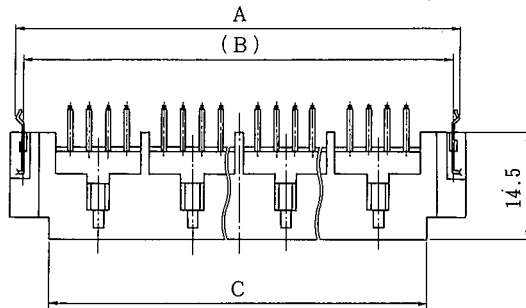
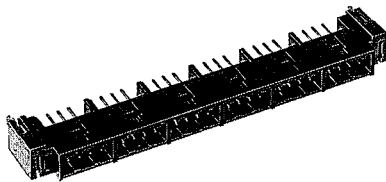
PCB Mount Receptacle (Straight Dip Type)



Unit: mm

CL206-5146-8
MQ115-12P-3A

CL code	Part No.	No. of pin	A	B	C	D
CL206-5133-6	MQ115-4P-1A	4	16.27	13.97	13.67	17.3
CL206-5144-2	MQ115-8P-2A	8	28.97	26.67	26.37	30
CL206-5146-8	MQ115-12P-3A	12	41.67	39.37	39.07	42.7



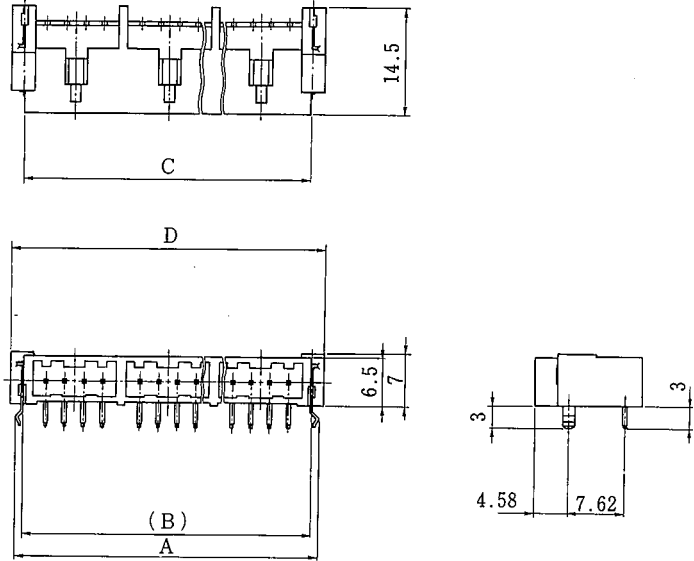
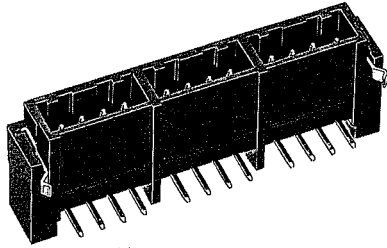
Unit: mm

CL206-5148-3
MQ115-24P-6A

CL code	Part No.	No. of pin	A	B	C	D
CL206-5135-1	MQ115-16P-4A	16	60.72	58.42	51.47	61.9
CL206-5148-3	MQ115-24P-6A	24	86.12	83.82	76.87	87.3
* CL206-5156-1	MQ115-32P-8A	32	111.52	109.22	102.27	112.7

* Note: Items with asterisk are not available yet.

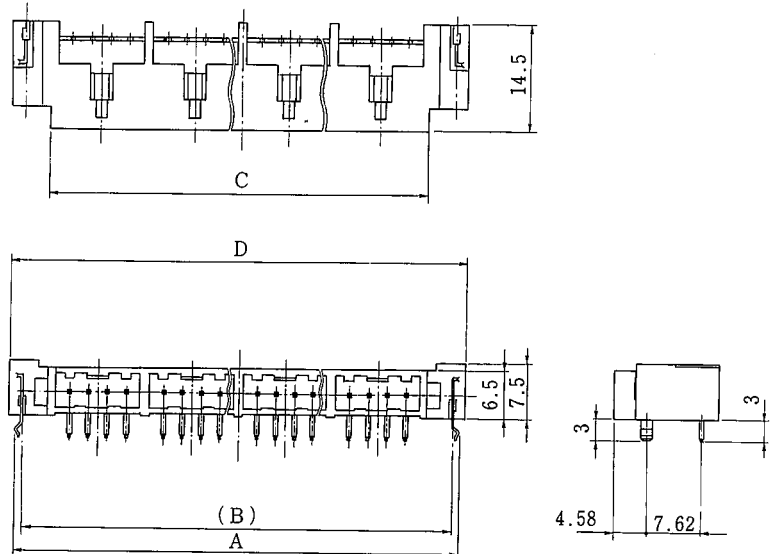
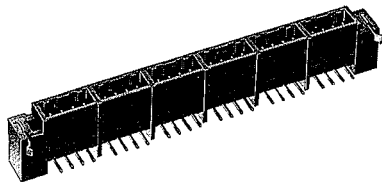
PCB Mount Receptacle (Right Angle Dip Type)



Unit: mm

CL206-5147-0
MQ115-12PA-3A

CL code	Part No.	No. of pin	A	B	C	D
CL206-5134-9	MQ115-4PA-1A	4	16.27	13.97	13.67	17.3
CL206-5145-5	MQ115-8PA-2A	8	28.97	26.67	26.37	30
CL206-5147-0	MQ115-12PA-3A	12	41.67	39.37	39.07	42.7



Unit: mm

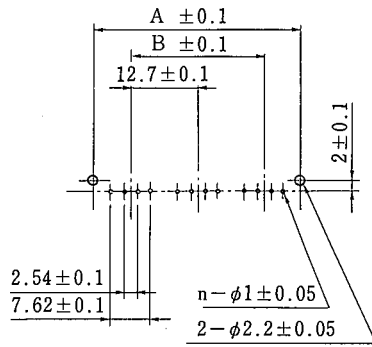
CL206-5149-6
MQ115-24PA-6A

CL code	Part No.	No. of pin	A	B	C	D
CL206-5136-4	MQ115-16PA-4A	16	60.72	58.42	51.47	61.9
CL206-5149-6	MQ115-24PA-6A	24	86.12	83.82	76.87	87.3
* CL206-5157-4	MQ115-32PA-8A	32	111.52	109.22	102.27	112.7

* Note: Items with asterisk are not available yet.

PCB Layout (Applicable PCB Thickness :1.6mm)

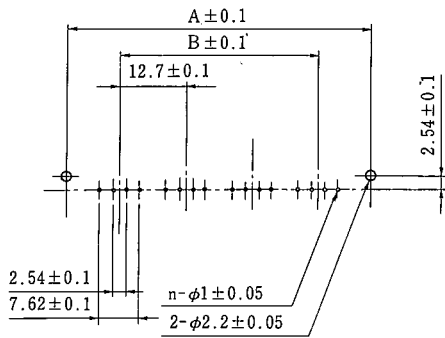
Straight Dip Type



n = No. of contact

Unit: mm

CL code	Part No.	No. of pin	A	B
CL206-5133-6	MQ115-4P-1A	4	13.97	
CL206-5144-2	MQ115-8P-2A	8	26.67	12.7
CL206-5146-8	MQ115-12P-3A	12	39.37	25.4

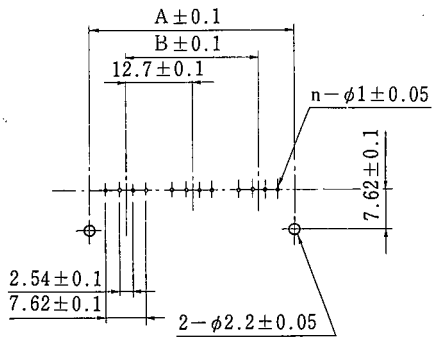


n = No. of contact

Unit: mm

CL code	Part No.	No. of pin	A	B
CL206-5135-1	MQ115-16P-4A	16	58.42	38.1
CL206-5148-3	MQ115-24P-6A	24	83.82	63.5
CL206-5156-1	MQ115-32P-8A	32	109.22	88.9

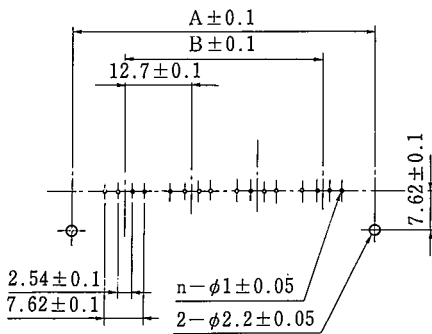
Right Angle Dip Type



n = No. of contact

Unit: mm

CL code	Part No.	No. of pin	A	B
CL206-5134-9	MQ115-4PA-1A	4	13.97	
CL206-5145-5	MQ115-8PA-2A	8	26.67	12.7
CL206-5147-0	MQ115-12PA-3A	12	39.37	25.4



n = No. of contact

Unit: mm

CL code	Part No.	No. of pin	A	B
CL206-5136-4	MQ115-16PA-4A	16	58.42	38.1
CL206-5149-6	MQ115-24PA-6A	24	83.82	63.5
CL206-5157-4	MQ115-32PA-8A	32	109.22	88.9