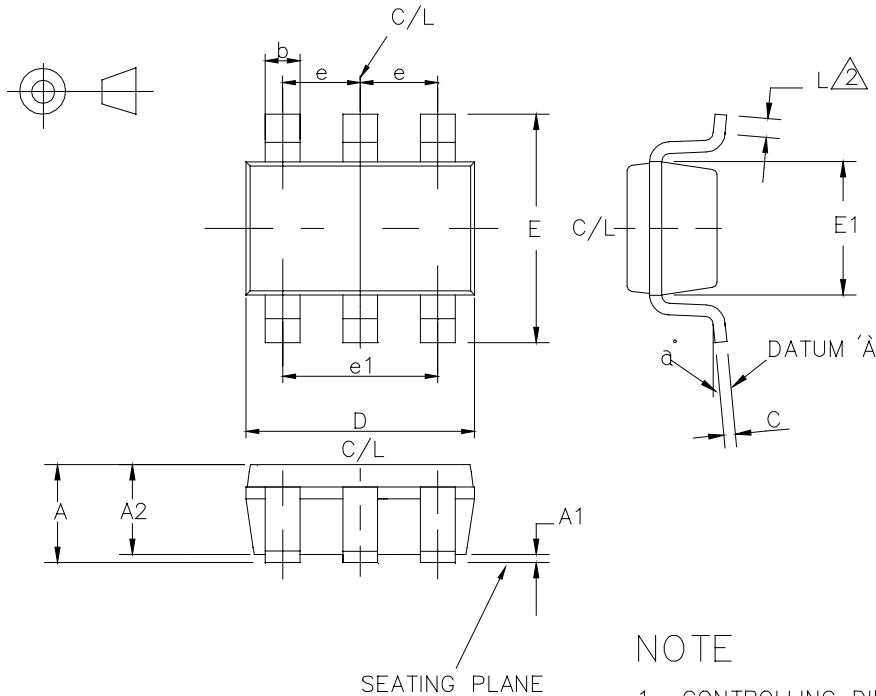
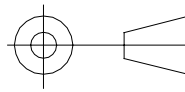


THE COPYRIGHT IN THIS WORK IS VESTED IN ZETEX plc AND THE DOCUMENT IS ISSUED IN CONFIDENCE FOR THE PURPOSE ONLY FOR WHICH IT IS SUPPLIED. IT MUST NOT BE REPRODUCED IN WHOLE OR IN PART OR USED FOR TENDERING OR MANUFACTURING PURPOSES EXCEPT UNDER AN AGREEMENT OR WITH THE CONSENT IN WRITING OF ZETEX plc AND THEN ONLY ON THE CONDITION THAT THIS NOTICE IS INCLUDED IN ANY SUCH REPRODUCTION



DIM	MILLIMETRES		INCHES	
	MIN	MAX	MIN	MAX
A	0.80	1.10	0.0315	0.0433
A1		0.10		0.0039
A2	0.80	1.00	0.0315	0.0394
b	0.15	0.30	0.006	0.0118
C	0.08	0.25	0.0031	0.0098
D	2.00	BSC	0.0787	BSC
E	2.10	BSC	0.0826	BSC
E1	1.25	1.35	0.0492	0.0531
e	0.65	BSC	0.0255	BSC
e1	1.30	BSC	0.0511	BSC
L	0.26	0.46	0.0102	0.0181
alpha	0°	8°	0°	8°

NOTE

- 1 CONTROLLING DIMENSIONS ARE IN MILLIMETRES
- 2 FORMED LEADS SHALL BE PLANER WITH RESPECT TO ONE ANOTHER WITHIN 0.10mm AT SEATING PLANE
- 3 PACKAGE OUTLINE EXCLUSIVE OF MOLD FLASH AND METAL BURR.
- 4 PACKAGE OUTLINE INCLUSIVE OF SOLDER PLATING
- 5 COMPLY TO SC88

ISSUE	1	2			
A.E.D.	8502	8813			
DR/N BY	T.C.C.	D.R.			
DATE	24/7/01	5/8/03			
APP ENG.					
DATE					

CONTROLLING DIMENSIONS IN MILLIMETRES
APPROX CONVERTED DIM/N IN INCHES

STANDARD TOLERANCES UNLESS OTHERWISE STATED.	
INCHES	MILLIMETRES
1.0000 = ±0.0005	1.000 = ±0.01
1.000 = ±0.005	1.00 = ±0.1
1.00 = ±0.10	1.0 = ±0.2
FRACTIONS = ±1/64	1 = ±0.4

DRAWN BY	T.C.CROSS
DATE	27/8/99
APP. ENG.	
DATE	
SCALE	16 = 1

ZETEX plc
FIELDS NEW ROAD, CHADDERTON, OLDHAM, OL9 8NP

TITLE
OUTLINE DRAWING FOR:-
SC706 LEAD



A3 DRAWING NUMBER
TD/D 1162