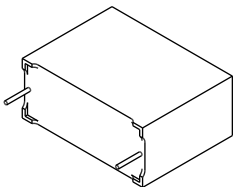
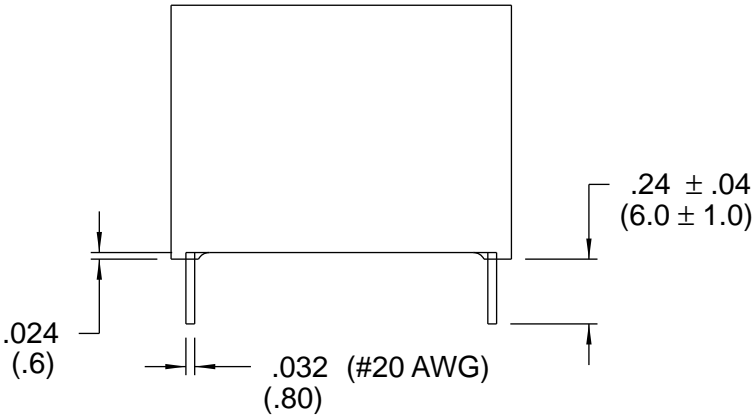
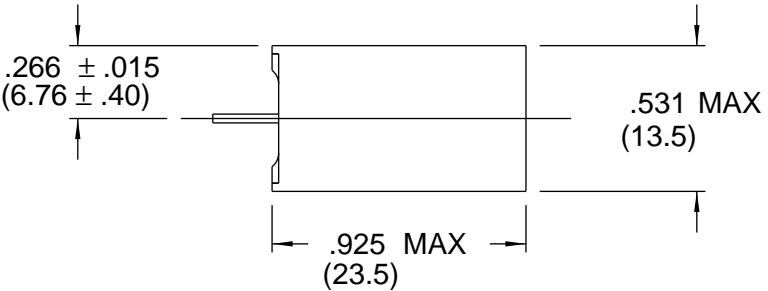
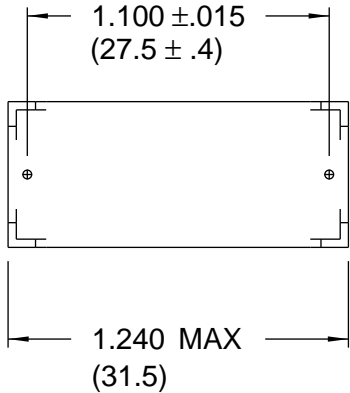


VICOR CONFIDENTIAL
 THIS DOCUMENT AND THE DATA DISCLOSED
 HEREIN OR HEREWITH IS NOT TO BE REPRODUCED,
 USED, OR DISCLOSED IN WHOLE OR IN PART
 TO ANYONE WITHOUT PERMISSION OF VICOR CORP.

REV	DESCRIPTION	DATE	APP'D
01	RELEASED PER E950600 DPK	8/14/95	RCM
02	REVISED PER E970093 DPK	2/28/97	RCM

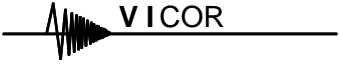
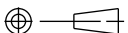


SCALE: FULL



NOTES

- 1. UL RECOGNIZED (APPROVED).
- 2. FOR FURTHER DETAILED INFORMATION REFER TO DOCUMENT CONTROL, CONCEPTION FOLDER

DRAWN BY		DATE			
		8/95			
UNLESS OTHERWISE SPECIFIED DIMENSIONS ARE IN INCHES- TOLERANCES ARE: FRACTIONS DECIMALS ANGLES ± 1/64 .XX ± .01 ± 1 .XXX ± .005				CAP 0.68uf/-20/250V	
THIRD ANGLE PROJECTION		SIZE	FSCM NO.	DWG NO	REV
		B	67131	11217	02
DO NOT SCALE DRAWING		SCALE	2=1	SHEET 1 OF 1	