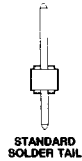
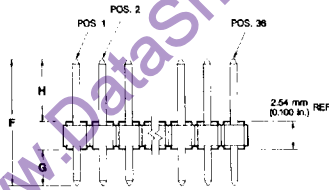
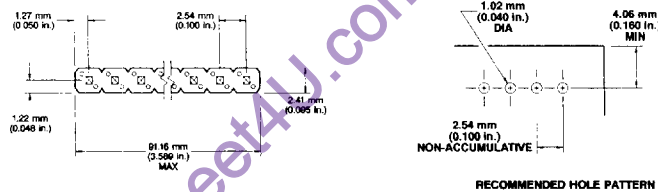


## Description

### Straight 1-Row BergStik® II Headers



A113366 01/74

## Ordering Data

Base number specifies pin length and style

These digits specify total number of positions (1 through 36 available)

This digit specifies plating

High temperature plastic

□ □ □ □ - XYY H

0.76 µm (30 µin.) gold over 1.27 µm (50 µin.) nickel  
0.38 µm (15 µin.) gold over 1.27 µm (50 µin.) nickel  
1.27 µm (50 µin.) gold over 1.27 µm (50 µin.) nickel

-1YY  
-2YY  
-3YY

3.81 µm (150 µin.) tin-lead  
0.38 µm (15 µin.) GXT™ over 1.27 µm (50 µin.) nickel  
0.76 µm (30 µin.) GXT™ over 1.27 µm (50 µin.) nickel

-4YY  
-5YY  
-6YY

## Plating

Part Numbers	Dimensions					
	H-Mating (Length Above Plastic)		G-Tail (Length Below Plastic)		F (Overall Pin Length)	
	mm	in.	mm	in.	mm	in.
68797-XYHH	2.54	0.100	5.41	0.213	10.49	0.413
68659-XYHH	2.79	0.110	10.11	0.398	15.44	0.608
68796-XYHH	2.79	0.110	10.74	0.423	16.08	0.633
68657-XYHH	3.05	0.120	9.35	0.368	14.94	0.588
94611-XYHH	3.18	0.125	2.41	0.095	8.13	0.320
68033-XYHH	3.43	0.135	12.01	0.473	17.98	0.708
94063-XYHH	3.51	0.138	3.51	0.138	9.55	0.376
95104-XYHH	3.66	0.144	3.20	0.126	9.40	0.370
87827-XYHH	4.06	0.160	3.05	0.120	9.65	0.380
69751-XYHH	4.32	0.170	4.32	0.170	11.18	0.440
78998-XYHH	4.45	0.175	3.94	0.155	10.92	0.430
92020-XYHH	4.52	0.178	2.39	0.094	9.45	0.372
90719-XYHH	4.52	0.178	2.69	0.106	9.75	0.384
94094-XYHH	4.52	0.178	7.98	0.314	15.04	0.592
68705-XYHH	5.08	0.200	2.41	0.095	10.03	0.395
86506-XYHH	5.59	0.220	3.05	0.120	11.18	0.440
89232-XYHH	5.84	0.230	0.00	0.000	8.26	0.325
93992-XYHH	5.84	0.230	2.16	0.085	10.54	0.415
68000-XYHH	5.84	0.230	2.41	0.095	10.80	0.425
90726-XYHH	5.84	0.230	2.79	0.110	11.18	0.440
68001-XYHH	5.84	0.230	3.05	0.120	11.43	0.450
68002-XYHH	5.84	0.230	3.81	0.150	12.19	0.480
68031-XYHH	5.84	0.230	4.65	0.183	13.03	0.513
68003-XYHH	5.84	0.230	4.95	0.195	13.34	0.525
68032-XYHH	5.84	0.230	5.41	0.213	13.79	0.543
68730-XYHH	5.84	0.230	5.72	0.225	14.10	0.555
68630-XYHH	5.84	0.230	6.93	0.273	15.32	0.603
68717-XYHH	5.84	0.230	7.24	0.285	15.62	0.615
78240-XYHH	5.84	0.230	8.46	0.333	16.84	0.663
68479-XYHH	5.84	0.230	9.86	0.388	18.24	0.718
68418-XYHH	5.84	0.230	10.16	0.400	18.54	0.730
68632-XYHH	5.84	0.230	10.49	0.413	18.87	0.743
68443-XYHH	5.84	0.230	10.80	0.425	19.18	0.755
68416-XYHH	5.84	0.230	12.27	0.483	20.65	0.813
68642-XYHH	5.84	0.230	14.81	0.583	23.19	0.913
68465-XYHH	5.84	0.230	15.11	0.595	23.50	0.925

Ordering data shown is for our standard product offering. for non-standard or custom products, contact your authorized Berg Electronics representative.

9005411 0002557 5T4

Ordering Data (continued)

Part Numbers	Dimensions					
	H-Mating (Length Above Plastic)		G-Tail (Length Below Plastic)		F (Overall Pin Length)	
	mm	in.	mm	in.	mm	in.
68634-XYHH	5.84	0.230	17.35	0.683	25.73	1.013
68490-XYHH	5.84	0.230	17.65	0.695	26.04	1.025
68489-XYHH	5.84	0.230	19.43	0.765	27.81	1.095
93167-XYHH	5.97	0.235	1.50	0.059	10.01	0.394
68771-XYHH	6.86	0.270	2.54	0.100	11.94	0.470
68762-XYHH	6.99	0.275	5.41	0.213	14.94	0.588
68654-XYHH	7.11	0.280	17.02	0.670	26.67	1.050
69173-XYHH	7.49	0.295	3.43	0.135	13.46	0.530
90547-XYHH	7.95	0.313	2.41	0.095	12.90	0.508
68004-XYHH	8.08	0.318	2.72	0.107	13.34	0.525
78511-XYHH	8.08	0.318	3.05	0.120	13.67	0.538
68457-XYHH	8.08	0.318	3.30	0.130	13.92	0.548
68024-XYHH	8.08	0.318	3.81	0.150	14.43	0.568
68629-XYHH	8.08	0.318	5.16	0.203	15.77	0.621
68422-XYHH	8.08	0.318	5.41	0.213	16.03	0.631
68633-XYHH	8.08	0.318	5.72	0.225	16.33	0.643
68781-XYHH	8.08	0.318	6.93	0.273	17.55	0.691
68655-XYHH	8.08	0.318	7.37	0.290	17.98	0.708
69188-XYHH	8.08	0.318	8.46	0.333	19.08	0.751
68483-XYHH	8.08	0.318	10.59	0.417	21.21	0.835
94544-XYHH	8.38	0.330	3.30	0.130	13.97	0.550
68603-XYHH	8.51	0.335	3.05	0.120	14.10	0.555
68795-XYHH	8.59	0.338	1.57	0.062	12.70	0.500
68731-XYHH	8.64	0.340	11.18	0.440	22.35	0.880
88005-XYHH	8.66	0.341	2.41	0.095	13.61	0.536
69148-XYHH	8.89	0.350	0.00	0.000	11.43	0.450
68760-XYHH	8.89	0.350	8.97	0.353	20.40	0.803
92418-XYHH	8.99	0.354	3.00	0.118	14.53	0.572
68604-XYHH	9.65	0.380	3.05	0.120	15.24	0.600
68735-XYHH	10.06	0.396	13.21	0.520	25.81	1.016
95017-XYHH	10.16	0.400	1.52	0.060	14.22	0.560
93287-XYHH	10.16	0.400	2.16	0.085	14.86	0.585
68415-XYHH	10.16	0.400	2.92	0.115	15.62	0.615
79849-XYHH	10.16	0.400	3.05	0.120	15.75	0.620
95648-XYHH	10.16	0.400	3.94	0.155	16.64	0.655
68631-XYHH	10.16	0.400	5.16	0.203	17.86	0.703
68472-XYHH	10.16	0.400	10.49	0.413	23.19	0.913
68656-XYHH	10.16	0.400	15.57	0.613	28.27	1.113
68497-XYHH	10.85	0.427	2.16	0.085	15.54	0.612
90522-XYHH	11.00	0.433	3.43	0.135	16.97	0.668
71417-XYHH	11.40	0.449	2.92	0.115	16.87	0.664
78287-XYHH	11.63	0.458	3.05	0.120	17.22	0.678
68686-XYHH	11.63	0.458	11.63	0.458	25.81	1.016
79428-XYHH	12.07	0.475	3.05	0.120	17.65	0.695
68487-XYHH	12.57	0.495	2.79	0.110	17.91	0.705
69152-XYHH	12.70	0.500	3.05	0.120	18.29	0.720
95103-XYHH	13.49	0.531	11.00	0.433	27.03	1.064
68755-XYHH	13.54	0.533	13.54	0.533	29.62	1.166
68653-XYHH	13.72	0.540	2.41	0.095	18.67	0.735
68658-XYHH	14.99	0.590	3.30	0.130	20.83	0.820
68689-XYHH	15.24	0.600	5.41	0.213	23.19	0.913
68456-XYHH	15.49	0.610	2.92	0.115	20.96	0.825
78290-XYHH	16.51	0.650	12.70	0.500	31.75	1.250
87204-XYHH	17.15	0.675	3.05	0.120	22.73	0.895
68466-XYHH	17.70	0.697	3.25	0.128	23.50	0.925
86793-XYHH	17.78	0.700	2.54	0.100	22.86	0.900
88706-XYHH	17.78	0.700	2.54	0.100	22.86	0.900
68652-XYHH	17.78	0.700	17.02	0.670	37.34	1.470
93944-XYHH	18.06	0.711	3.30	0.130	23.90	0.941
87241-XYHH	19.81	0.780	3.05	0.120	25.40	1.000
86899-XYHH	20.32	0.800	3.05	0.120	25.91	1.020
87916-XYHH	21.08	0.830	3.25	0.128	26.87	1.058
91276-XYHH	22.86	0.900	5.72	0.225	31.12	1.225
95655-XYHH	24.61	0.969	2.41	0.095	29.57	1.164
87185-XYHH	26.49	1.043	2.41	0.095	31.45	1.238

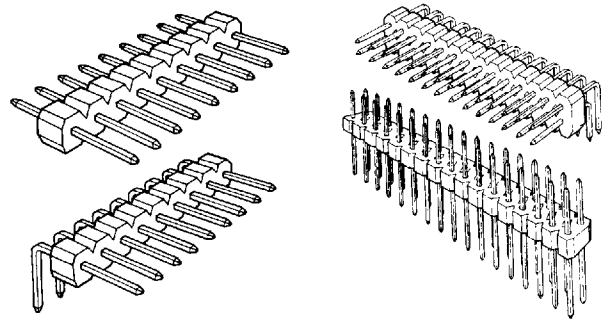
Ordering data shown is for our standard product offering. for non-standard or custom products, contact your authorized Berg Electronics representative.

9005411 0002558 430

# Unshrouded Headers

2.54 x 2.54 mm (0.100 x 0.100 in.)  
Centerlines

**BergStik® II Headers**  
**BergCon® System**



A183396-0775

## Features

- 1-Row: 1 through 36 total positions.  
2-Row: 2 through 72 total positions.  
3-Row: 9 through 108 total positions.
- End-to-end and side-to-side stackable on 2.54 mm (0.100 in.) centerlines.
- Can be manually broken to the desired length.
- Drawn (not stamped) 0.64 mm (0.025 in.) square wire presents four surfaces of equal quality.
- Standoffs allow cleaning to eliminate soldering contaminants.
- Optional retention tail provides 2.224 N (0.5 lbf) minimum retention prior to soldering on 1.58 mm (0.062 in.) thick pc boards.
- High-temperature plastic for infra-red soldering operations.
- Available with gold, GXT™ (palladium nickel allow with gold flash) and tin-lead platings.

## Options

- Advanced ground.
- Retentive leg solder tails.
- Custom polarization available.

## Mating Data


Mates with 0.64 mm (0.025 in.) compatible receptacles on 2.54 mm (0.100 in.) centerlines.


Berg Electronics Products	Page
▪ Card Connectors . . . . .	13-122, 13-132, and 13-136
▪ PV™/Mini-latch Housing . . . . .	13-4 and 13-16
▪ Quickie III™ . . . . .	23-4
▪ Clincher™ . . . . .	20-2
▪ Mini-jump™ . . . . .	13-44

## Specifications

- MIL-G-45204
- MIL-P-55110
- MIL-P-81728
- QQ-W-343
- ASTM B-159

## Approvals and Certifications

 File no. E66906

 File no. LR46923

## Application Equipment

Description	Page
▪ Cutting tool HT-320 . . . . .	13-69

## Technical Data

### Materials

- Housing material . . . . . High temperature, Glass-filled PCT (UL 94 V-0)
  - ▶ Color . . . . . Black
  - ▶ Applicable soldering processes . . . . . Wave, Vapor-phase, IR reflow
- Pin . . . . . Phosphor-bronze

### Plating

- Underplate . . . . . 1.27 µm (50 µin.) nickel
- Finish . . . . . 0.38 µm (15 µin.) gold or 0.76 µm (30 µin.) gold or 1.27 µm (50 µin.) gold or 0.38 µm (15 µin.) GXT™ or 0.76 µm (30 µin.) GXT™
- Finish . . . . . 3.81 µm (150 µin.) tin-lead

### Electrical Performance

- Insulation resistance . . . . . 5000 MΩ min
- Withstanding voltage . . . . . 1500 V ac rms (sea level)

- Current rating . . . . . 3 amp continuous

### Mechanical Performance

- Retentive leg insertion force\* . . . . . >44.48 N (10 lbf) max\*
- Retentive leg connector retention . . . . . 2.22 N (0.5 lbf) min\*
- Contact retention (pin to housing) . . . . . 8.88 N (2 lbf)

### Operating Environment

- Temperature range . . . . . -65°C to +130°C

### Packaging

- Antistatic Bags
- Antistatic Tubes . . . . . available on selected part numbers

\*Per retentive pin-pair.

## Customer Support Materials

Description	Order No.	Description	Order No.
Customer Product Drawings . . . . .	By Part Number	Product Samples . . . . .	Upon Request
Product Specifications . . . . .	BUS-12-050	Test Data . . . . .	Upon Request
Product Substitutions . . . . .	Contact Technical Support		

■ 9005411 0002556 668 ■