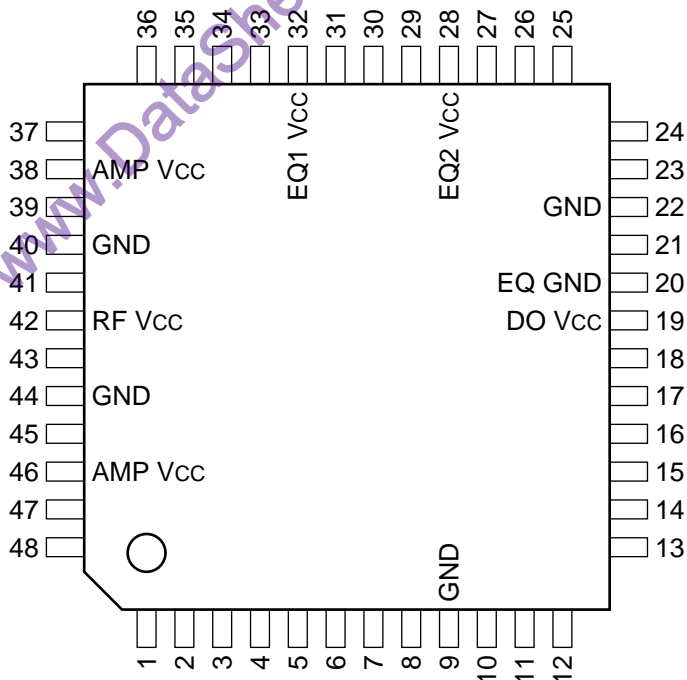


PB RF SIGNAL PROCESSOR FOR VTR

—TOP VIEW—



| PIN NO. | I/O | SIGNAL    | PIN NO. | I/O | SIGNAL       | PIN NO. | I/O | SIGNAL       | PIN NO. | I/O | SIGNAL    |
|---------|-----|-----------|---------|-----|--------------|---------|-----|--------------|---------|-----|-----------|
| 1       | I   | CHSW CONT | 13      | I   | OFF SET1     | 25      | I   | EQ2(A)IN     | 37      | O   | AB RF OUT |
| 2       | I   | OFF SET2  | 14      | I   | IN A         | 26      | I   | EQ2(MAIN)CNT | 38      | —   | AMP Vcc   |
| 3       | O   | AOR OUT   | 15      | I   | EQSEL        | 27      | I   | EQ2(B)IN     | 39      | I   | RF(A)IN   |
| 4       | I   | ENV(E)    | 16      | I   | IN B         | 28      | —   | EQ2 Vcc      | 40      | —   | GND       |
| 5       | I   | ENV(A)    | 17      | —   | DCPL1        | 29      | O   | EQ1 OUT      | 41      | I   | RF(B)IN   |
| 6       | O   | TH OUT    | 18      | O   | DO EQ        | 30      | I   | EQ1 CONT     | 42      | —   | RF Vcc    |
| 7       | I   | TH CONT   | 19      | —   | DO Vcc       | 31      | I   | EQ1(B)IN     | 43      | I   | RF(C)IN   |
| 8       | O   | DO OUT    | 20      | —   | EQ GND       | 32      | —   | EQ1 Vcc      | 44      | —   | GND       |
| 9       | O   | REF       | 21      | O   | EQ2(MAIN)OUT | 33      | I   | EQ1(A)IN     | 45      | I   | RF(D)IN   |
| 10      | I   | ENV IN    | 22      | —   | GND          | 34      | I   | GAIN CNT     | 46      | —   | AMP Vcc   |
| 11      | O   | DET OUT2  | 23      | O   | EQ2(SUB)OUT  | 35      | O   | SWD RF       | 47      | O   | CD RF OUT |
| 12      | O   | DET OUT1  | 24      | I   | EQ(SUB)CNT   | 36      | I   | RF LEVEL     | 48      | I   | MODE CONT |