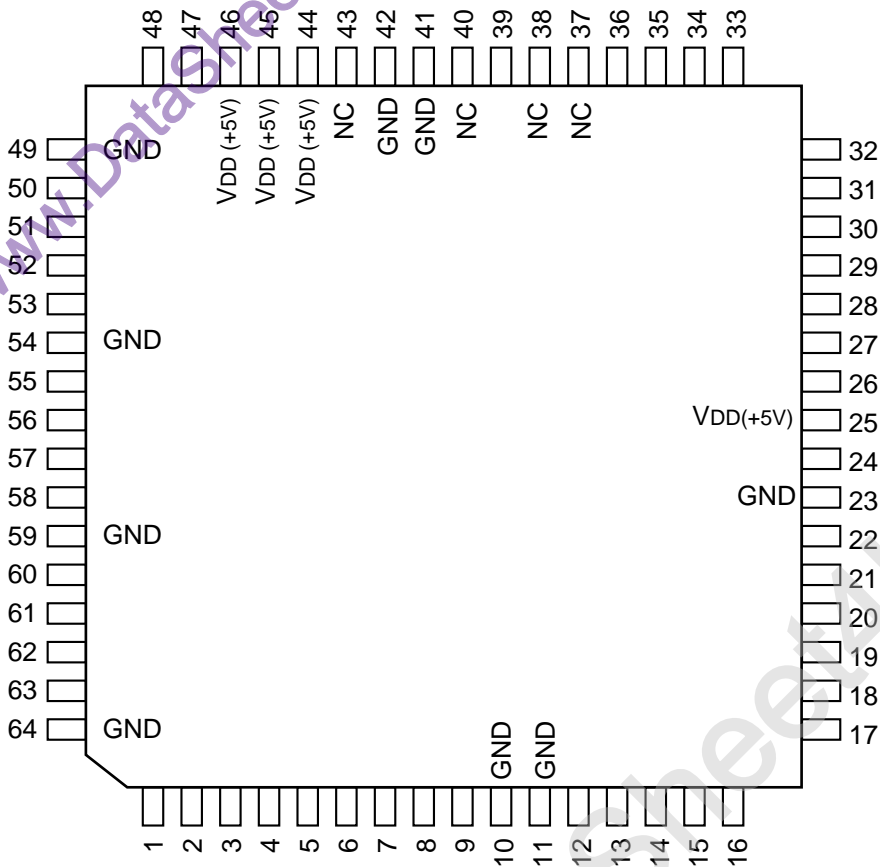


\*\*\*\*\*

C-MOS FDC (FLOPPY DISK CONTROLLER)

—TOP VIEW—



(VDD = +5V)

PIN No.	I/O	SIGNAL	PIN No.	I/O	SIGNAL	PIN No.	I/O	SIGNAL	PIN No.	I/O	SIGNAL
1	I	8" / 5"	17	I/O	D5	33	I	TRK0	49	—	GND
2	I	XTALSEL	18	I/O	D6	34	I	INDEX	50	O	STEP
3	I	RESET	19	I/O	D7	35	I	RDATA	51	O	HDIR
4	I	E, RD	20	O	DREQ	36	I	XTAL2	52	O	HLOAD
5	I	R/W, WR	21	O	IRQ	37	—	NC	53	O	HSEL
6	I	CS	22	I	DEND	38	—	NC	54	—	GND
7	I	DACK	23	—	GND	39	I	XTAL1	55	O	DS0
8	I	RS0	24	O	1/2EX1	40	—	NC	56	O	DS1
9	I	RS1	25	—	VDD	41	—	GND	57	O	DS2
10	—	GND	26	I	NUM1	42	—	GND	58	O	DS3
11	—	GND	27	I	NUM2	43	—	NC	59	—	GND
12	I/O	D0	28	I	IFS	44	—	VDD	60	O	MON0
13	I/O	D1	29	I	SFORM	45	—	VDD	61	O	MON1
14	I/O	D2	30	I	INP	46	—	VDD	62	O	MON2
15	I/O	D3	31	I	READY	47	O	WGATE	63	O	MON3
16	I/O	D4	32	I	WPRT	48	O	WDATA	64	—	GND

**INPUT**

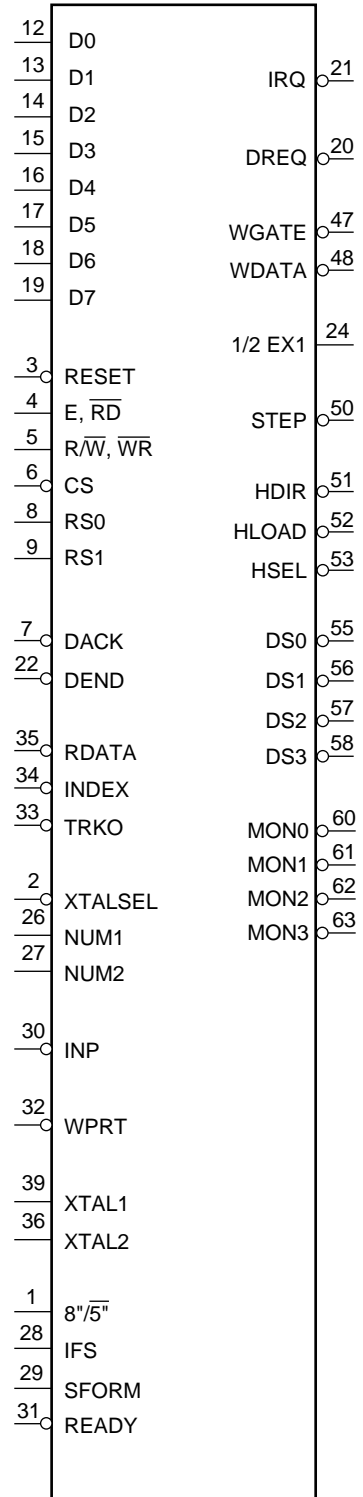
$\overline{8"/5"}$  ; DATA TRANSFER RATE SELECT  
 CS ; CHIP SELECT  
 $\overline{DACK}$  ; DMA ACKNOWLEDGE  
 $\overline{DEND}$  ; DMA END  
 E,  $\overline{RD}$  ; ENABLE, READ  
 $\overline{IFS}$  ; INTERFACE SELECT  
 $\overline{INDEX}$  ; INDEX  
 INP ; INPUT PORT  
 NUM1, 2 ; NOT USER MODE 1, 2  
 $\overline{R/W}, \overline{WR}$  ; READ/WRITE, WRITE  
 $\overline{RDATA}$  ; READ DATA  
 $\overline{READY}$  ; READY  
 RESET ; RESET  
 RS0, 1 ; REGISTER SELECT 0, 1  
 $\overline{SFORM}$  ; SELECT FORMAT DATA  
 $\overline{TRKO}$  ; TRACK 00  
 $\overline{WPRT}$  ; WRITE PROTECTED  
 XTAL1, 2 ; XTAL 1, 2  
 $\overline{XTALSEL}$  ; XTAL SELECT

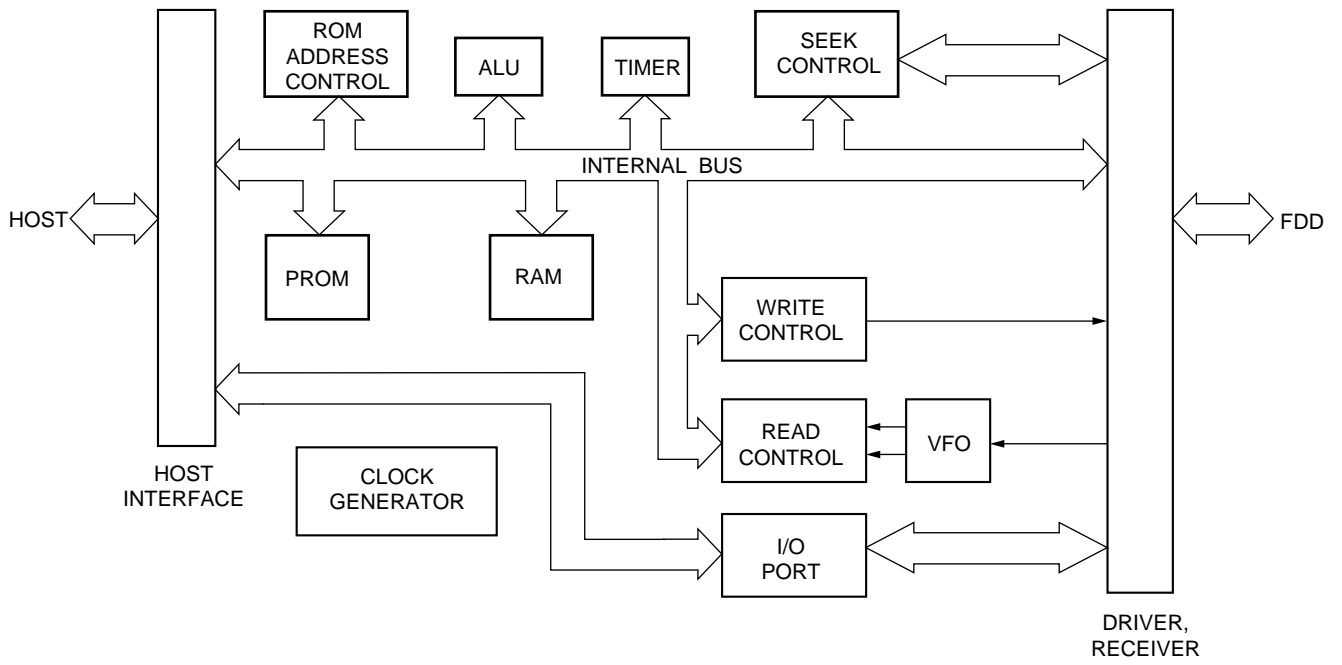
**OUTPUT**

$\overline{1/2EX1}$  ; 1/2 EXTAL1  
 $\overline{DREQ}$  ; DMA REQUEST  
 $\overline{DS0-DS3}$  ; DRIVE SELECT 0-3  
 $\overline{HDIR}$  ; HEAD DIRECTION  
 $\overline{HLOAD}$  ; HEAD LOAD  
 $\overline{HSEL}$  ; HEAD SELECT  
 $\overline{IRQ}$  ; INTERRUPT REQUEST  
 $\overline{MON0-MON3}$  ; MOTOR ON 0-3  
 $\overline{STEP}$  ; STEP  
 $\overline{WDATA}$  ; WRITE DATA  
 $\overline{WGATE}$  ; WRITE GATE

**INPUT/OUTPUT**

D0-D7 ; DATA BUS 0-7





ALU; ARITHMETIC LOGIC UNIT  
 VFO; VARIABLE FREQUENCY OSCILLATOR