



# LC99063-LF2

## CCD Digital Signal Processing IC

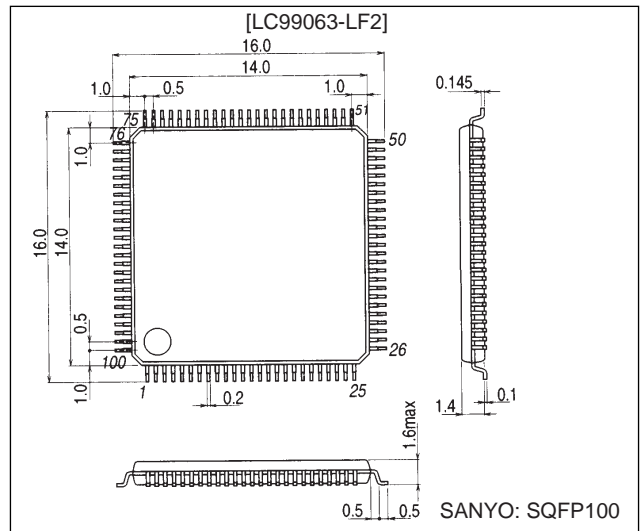
### Overview

The LC99063-LF2 is a color video signal processor for use with the LC9997M/FL.

### Package Dimensions

unit: mm

3181B-SQFP100



### Specifications

#### Absolute Maximum Ratings at $V_{SS} = 0$ V

Parameter	Symbol	Conditions	Ratings	Unit
Supply voltage	$V_{DD}$ max		-0.3 to +4.6	V
I/O voltage	$V_{I1}, V_O$	For pin type 1	-0.3 to $V_{DD} + 0.3$	V
Input voltage	$V_{I2}$	For pin type 2	-0.3 to +7.3	V
Allowable power dissipation	$P_d$ max		400	mW
Operating temperature	$T_{opr}$		-15 to +70	°C
Storage temperature	$T_{stg}$		-55 to +125	°C
Solder resistance (Hand soldering)		3s	350	°C
Solder resistance (Reflow)		10s	235	°C
I/O current	$I_i, I_o$	*	±20	mA

The pin types above refer to the following groups.

(1) DIN[32:9], DEVICE, MIRRO, SUPER, INMODE, WBHL, DOSL, SSET [2:1], OMODE [4:1], RES, DOUT [24:1], HREF, VDO, HDO, CLKOUT, ANA1, ANA2, IREFOT1, IREFOT2, VREF1, VREF2, COMP1, COMP2

(2) DIN[8:1], CLK14M, CLK10M, HDI, VDI, HREF53, ENS, DATAS, CLKS, REGRES

\*: This value is for a single I/O basic cell.

#### Allowable Operating Ranges at $T_a = -15$ to $+70$ °C, $V_{SS} = 0$ V

Parameter	Symbol	Conditions	Ratings			Unit
			min	typ	max	
Supply voltage	$V_{DD}$		3	3.3	3.6	V
Input voltage range 1	$V_{in1}$	For pin type 1	0		$V_{DD}$	V
Input voltage range 2	$V_{in2}$	For pin type 2	0		+5.3	V

(1) DIN[32:9], DEVICE, MIRRO, SUPER, INMODE, WBHL, DOSL, SSET [2:1], OMODE [4:1], RES

(2) DIN[8:1], CLK14M, CLK10M, HDI, VDI, HREF53, ENS, DATAS, CLKS, REGRES

## LC99063-LF2

### Electrical Characteristics for Logic Circuits

DC Characteristics at  $T_a = -15$  to  $+70^\circ\text{C}$ ,  $V_{DD} = 3.0$  to  $3.6$  V,  $V_{SS} = 0$  V

Parameter	Symbol	Conditions	Ratings			Unit
			min	typ	max	
Input high-level voltage	$V_{IH}$	CMOS level ; for pin type 1	$0.7 V_{DD}$			V
Input low-level voltage	$V_{IL}$	CMOS level ; for pin type 1			$0.2 V_{DD}$	V
Input high-level voltage	$V_{IH}$	CMOS level with Schmitt ; for pin type 2	$0.75 V_{DD}$			V
Input low-level voltage	$V_{IL}$	CMOS level with Schmitt ; for pin type 2			$0.15 V_{DD}$	V
Output high-level voltage	$V_{OH}$	$I_{OH} = -2$ mA; for pin types 3 and 4	$V_{DD} - 0.8$			V
Output low-level voltage	$V_{OL}$	$I_{OL} = +2$ mA; for pin types 3 and 4			0.4	V
Input leak current	$I_L$	$V_I = V_{DD}$ ; for pin types 1 and 2	-10		+10	$\mu\text{A}$
Output leak current	loz	High-impedance output; for pin type 3	-10		+10	$\mu\text{A}$

The pin types above refer to the following groups.

#### INPUT

(1) DIN [32:9], DEVICE, MIRRO, SUPER, INMODE, WBHL, DOSL, SSET [2:1], OMODE [4:1], RES

(2) DIN [8:1], CLK14M, CLK10M, HDI, VDI, HREF53, ENS, DATAS, CLKS, REGRES

#### OUTPUT

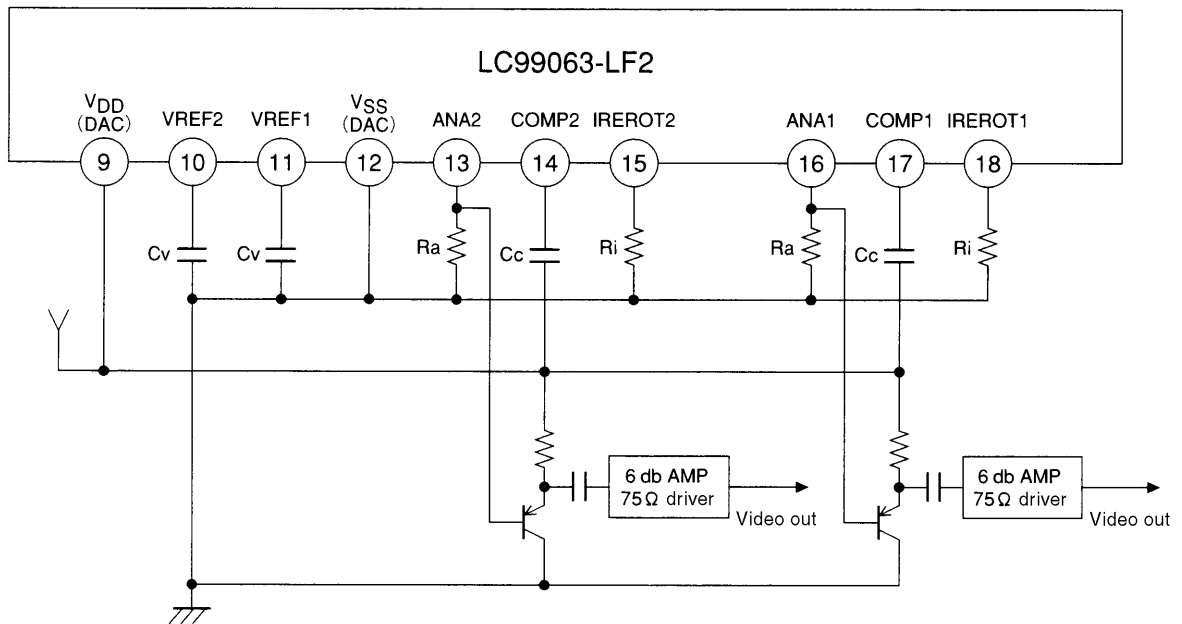
(3) DOUT [24:1]

(4) HREF, VDO, HDO, CLKOUT

Note: The ANA1, ANA2, IREFOT1, IREFOT2, VREF1, VREF2, COMP1, and COMP2 pins fall outside these DC characteristic specifications.

### Electrical Characteristics for Analog Circuits

Recommended operating conditions for D/A converter



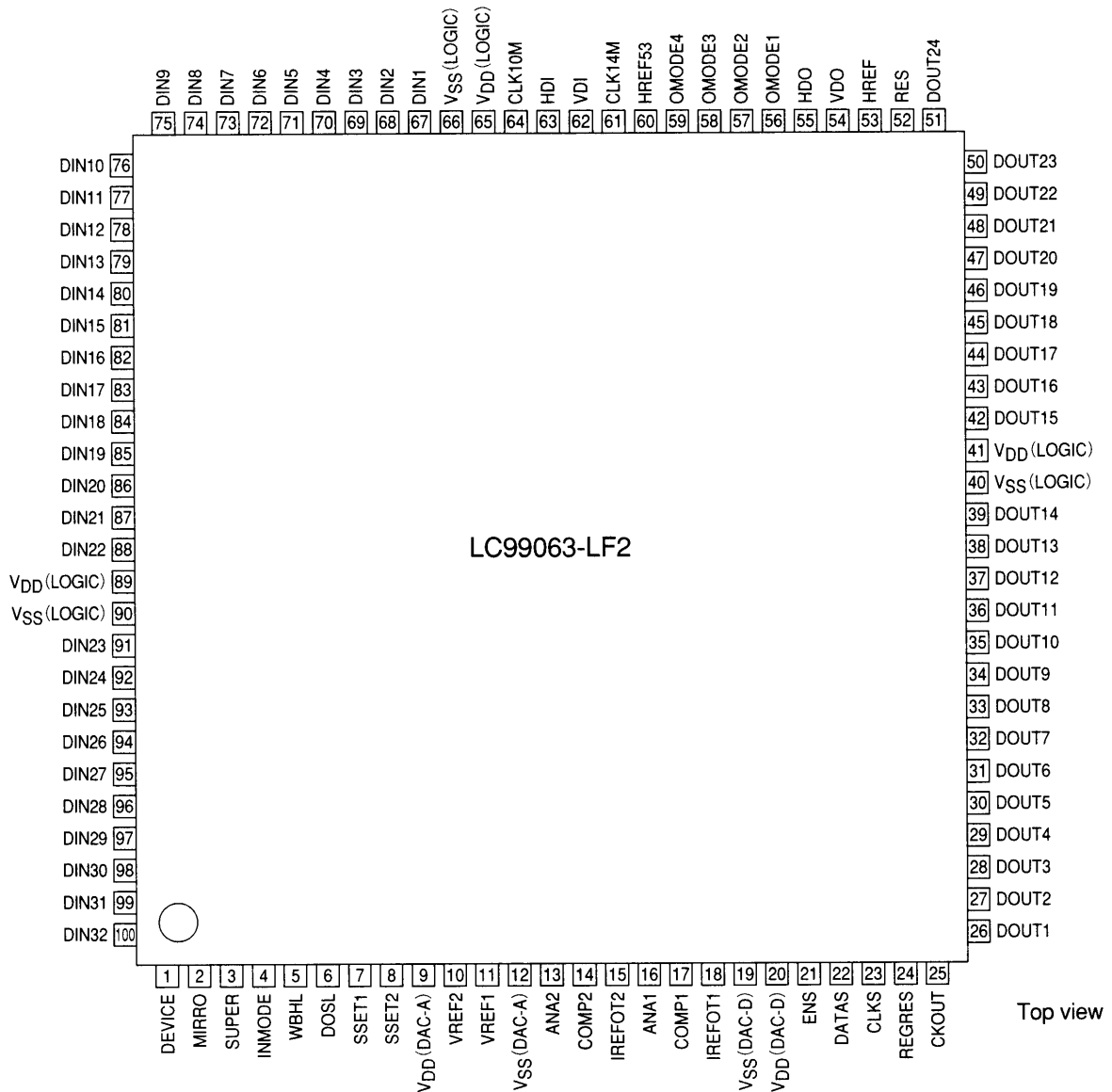
Parameter	Symbol	Conditions	Ratings			Unit
			min	typ	max	
Reference voltage	$V_{REF1/2}$				1.11	V
Analog output resistance	$R_a$			200		$\Omega$
Reference voltage resistance	$R_i$			$R_a \times 4$		$\Omega$
Phase compensation capacitor	$C_c$		0.1			$\mu\text{F}$
VREF capacitor	$C_v$		0.1			$\mu\text{F}$

## LC99063-LF2

**Electrical Characteristics for D/A Converter at  $T_a = 25^\circ\text{C}$ ,  $V_{DD} = 3.3\text{ V}$ ,  $R_v = 200\ \Omega$ ,  $R_i = 800\ \Omega$**

Parameter	Symbol	Conditions	Ratings			Unit
			min	typ	max	
Resolution					8	Bits
Conversion frequency					15	MSPS
Zero scale output voltage			-15	0	+15	mV
Full scale output voltage			1.01	1.1	1.19	V
Linearity error					$\pm 1.0$	LSB
Differential linearity error					$\pm 0.5$	LSB
Reference output voltage			1.09	1.1	1.11	V

### Pin Assignment



A09112

## LC99063-LF2

### Pin Functions

Pin No.	Symbol	I/O	Function
1	DEVICE	I	0 : LC9997FL 1 : LC9997M
2	MIRRO	I	0 : NORMAL 1 : MIRROR
3	SUPER	I	Superimpose control 0 : Superimpose 1 : Camera through
4	INMODE	I	Input mode select
5	WBHL	I	Auto white balance hold 0 : Hold 1 : Auto
6	DOSL	I	Pin 55 output select 0 : HD 1 : C.SYNC
7	SSET1	I	Color sampling phase select
8	SSET2	I	Color sampling phase select
9	V <sub>DD</sub> (DAC-A)	P	
10	VREF2	O	DAC2 reference voltage output
11	VREF1	O	DAC1 reference voltage output
12	V <sub>SS</sub> (DAC-A)	P	
13	ANA2	O	DAC2 output
14	COMP2	I	DAC2 bias pin
15	IREFOT2	O	DAC2 reference current
16	ANA1	O	DAC1 output
17	COMP1	I	DAC1 bias pin
18	IREFOT1	O	DAC1 reference current
19	V <sub>SS</sub> (DAC-D)	P	
20	V <sub>DD</sub> (DAC-D)	P	
21	ENS	I	Serial resister enable
22	DATAS	B	Serial resister data
23	CLKS	I	Serial resister CLK
24	REGRES	I	Serial resister reset
25	CKOUT	O	CCIR601, square PIX mode CLK
26	DOUT1	O	Output Channel1 = CH1 (LSB)
27	DOUT2	O	Output Channel1
28	DOUT3	O	Output Channel1
29	DOUT4	O	Output Channel1
30	DOUT5	O	Output Channel1
31	DOUT6	O	Output Channel1
32	DOUT7	O	Output Channel1
33	DOUT8	O	Output Channel1 = CH1 (MSB)
34	DOUT9	O	Output Channel2 = CH2 (LSB)
35	DOUT10	O	Output Channel2
36	DOUT11	O	Output Channel2
37	DOUT12	O	Output Channel2
38	DOUT13	O	Output Channel2
39	DOUT14	O	Output Channel2
40	V <sub>SS</sub> (logic)		
41	V <sub>DD</sub> (logic)		
42	DOUT15	O	Output Channel2
43	DOUT16	O	Output Channel2 = CH2 (MSB)
44	DOUT17	O	Output Channel3 = CH3 (LSB)
45	DOUT18	O	Output Channel3
46	DOUT19	O	Output Channel3
47	DOUT20	O	Output Channel3
48	DOUT21	O	Output Channel3
49	DOUT22	O	Output Channel3
50	DOUT23	O	Output Channel3
51	DOUT24	O	Output Channel3 = CH3 (MSB)
52	RES	I	0 : Test 1 : Real
53	HREF	O	Horizontal reference
54	VDO	O	VD output
55	HDO	O	HD or C.SYNC output

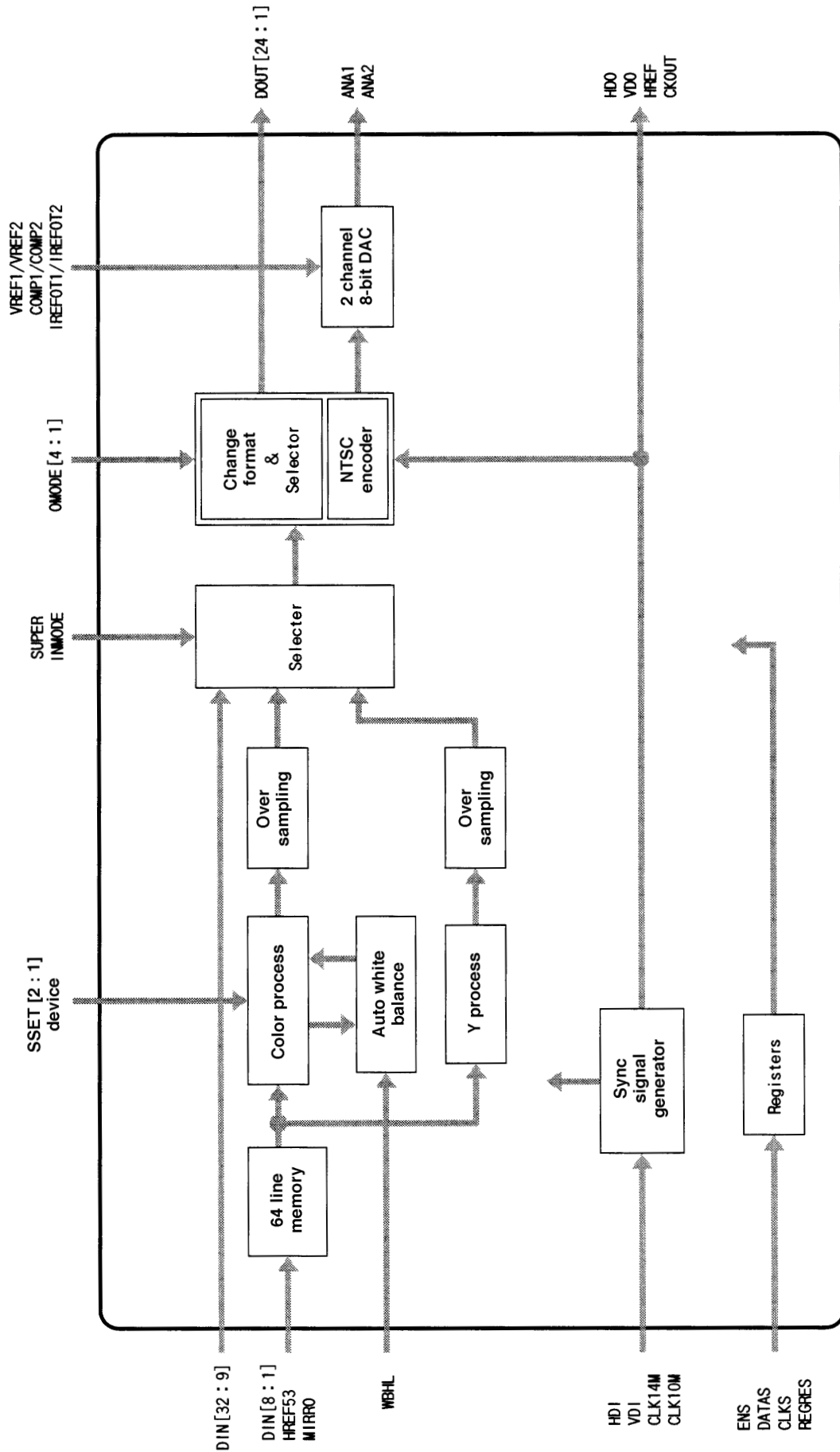
Continued on next page.

## LC99063-LF2

Continued from preceding page.

Pin No.	Symbol	I/O	Function
56	OMODE1	I	Output mode select
57	OMODE2	I	
58	OMODE3	I	
59	OMODE4	I	
60	HREF53	I	Horizontal reference (from LC99053)
61	CLK14M	I	FSC4 (LC99053 pin 58), VD (LC99053 pin 56), HD (LC99053 pin 55) or HTCLK (LC99053 pin 51), fixed at high level, C.SYNC (LC99053 pin 54)
62	VDI	I	
63	HDI	I	
64	CLK14M	I	HTCLK (LC99053 pin 51)
65	V <sub>DD</sub> (logic)	P	
66	V <sub>SS</sub> (logic)	P	
67	DIN1	I	8 bit data input (from LC99053) [LSB]
68	DIN2	I	8 bit data input
69	DIN3	I	8 bit data input
70	DIN4	I	8 bit data input
71	DIN5	I	8 bit data input
72	DIN6	I	8 bit data input
73	DIN7	I	8 bit data input
74	DIN8	I	8 bit data input (from LC99053) [MSB]
75	DIN9	I	8 bit Y input [LSB]
76	DIN10	I	8 bit Y input
77	DIN11	I	8 bit Y input
78	DIN12	I	8 bit Y input
79	DIN13	I	8 bit Y input
80	DIN14	I	8 bit Y input
81	DIN15	I	8 bit Y input
82	DIN16	I	8 bit Y input [MSB]
83	DIN17	I	8 bit U or UV input [LSB]
84	DIN18	I	8 bit U or UV input
85	DIN19	I	8 bit U or UV input
86	DIN20	I	8 bit U or UV input
87	DIN21	I	8 bit U or UV input
88	DIN22	I	8 bit U or UV input
89	V <sub>DD</sub> (logic)	P	
90	V <sub>SS</sub> (logic)	P	
91	DIN23	I	8 bit U or UV input
92	DIN24	I	8 bit U or UV input [MSB]
93	DIN25	I	8 bit V input [LSB]
94	DIN26	I	8 bit V input
95	DIN27	I	8 bit V input
96	DIN28	I	8 bit V input
97	DIN29	I	8 bit V input
98	DIN30	I	8 bit V input
99	DIN31	I	8 bit V input
100	DIN32	I	8 bit V input [MSB]

Block Diagram



AG9113

## Major Functions

### Luminance (Y) signal processing

- This block includes an 11-tap low pass filter.
- This block includes a gamma correction circuit using a five-segment curve with user-specified data points.
- This block provides vertical and horizontal outline enhancement with user-specified gain and coreling.
- This block includes a circuit for generating the 1.5× oversampling frequency.

### Chrominance (U,V, U/V) signal processing

- This block uses a 9-tap low pass filter and color matrices to convert YUV input to an RGB signal.
- This block includes an auto white balance subblock.
  - This subblock contains all circuits necessary for automatic white balance adjustment.
  - This subblock offers a choice of automatic or manual operation.
  - This subblock supports holding of automatic operation results.
  - This subblock offers a choice of seven patterns—one for skin tones, for example.
- This block includes a gamma correction circuit using a three-segment curve.
- This block uses adjustable linear matrices to convert the color difference signals.
- This block includes an adjustable circuit for suppressing color noise at low luminance levels.
- This block includes an adjustable circuit for suppressing false-color signals occurring at edges and high-luminance blocks.
- This block includes a circuit for generating the 1.5× oversampling frequency.

### NTSC encoder

- This block encodes the RGB data using the timing from the HD, VD, and CLK (14.31818 MHz) input signals.
- This block supports color burst phase adjustment.
- The pedestal and burst levels are both adjustable.

### I/O modes

- Input modes
  - In addition to LC99053 output signals, the chip supports the Y, U, and V input configuration (Y.U.V) and the Y and U/V one (Y.U/V).
  - The chip can mix (superimpose) the signals from these two sources.
- Output modes
  - Digital outputs: Digital composite video, digital Y.C, R.G.B, Y.U.V, and Y.U/V.
  - Analog outputs using two 8-bit digital-to-analog converters: Composite video and Y.C

### Other functions

- Registers are accessible via a 3-pin serial interface.
- The chip is capable of stand-alone operation.
- The chip supports mirror imaging (reversal of left and right).
- The chip supports pseudo interlacing.
- The chip supports negative imaging (creation of photographic negatives).

## Important Notes

When used in combination with the LC99053-Z28, this chip supports the following modes with field periods longer than 1/60 second: extended exposure, M3, M4, and external ST and FT trigger. In these modes, however, the system requires even more careful evaluation of circuit constants, trigger inputs, and other factors affecting CCD and driver operation.

Camera characteristics depend heavily on part layout and circuit design, so follow the guidelines set forth in recommended circuit diagrams issued by Sanyo.

- No products described or contained herein are intended for use in surgical implants, life-support systems, aerospace equipment, nuclear power control systems, vehicles, disaster/crime-prevention equipment and the like, the failure of which may directly or indirectly cause injury, death or property loss.
- Anyone purchasing any products described or contained herein for an above-mentioned use shall:
  - ① Accept full responsibility and indemnify and defend SANYO ELECTRIC CO., LTD., its affiliates, subsidiaries and distributors and all their officers and employees, jointly and severally, against any and all claims and litigation and all damages, cost and expenses associated with such use:
  - ② Not impose any responsibility for any fault or negligence which may be cited in any such claim or litigation on SANYO ELECTRIC CO., LTD., its affiliates, subsidiaries and distributors or any of their officers and employees jointly or severally.
- Information (including circuit diagrams and circuit parameters) herein is for example only; it is not guaranteed for volume production. SANYO believes information herein is accurate and reliable, but no guarantees are made or implied regarding its use or any infringements of intellectual property rights or other rights of third parties.

This catalog provides information as of May, 1998. Specifications and information herein are subject to change without notice.