

AKD4395

Evaluation board Rev.C for AK4395

General Description

The AKD4395 is an evaluation board for AK4395, which is 192kHz sampling 24Bit $\Delta\Sigma$ DAC. The AKD4395 includes a LPF which can add differential analog outputs from the AK4395 and also has a digital interface with AKM's wave generator using ROM data and AKM's ADC evaluation boards. Therefore, it is easy to evaluate the AK4395.

■ **Ordering Guide**

AKD4395 Rev.C --- Evaluation board Rev.C for AK4395: differential output

Function

- On-board differential output buffer circuit
- On-board clock generator
- BNC connector for an external clock input
- Compatible with 3types of interface
 1. Direct interface with evaluation boards for AKM's A/D converter (AKD539X, AKD535X)
 2. Interface with a signal generator (AKD43XX)
 3. On-board CS8414 as DIR which accepts optical input.

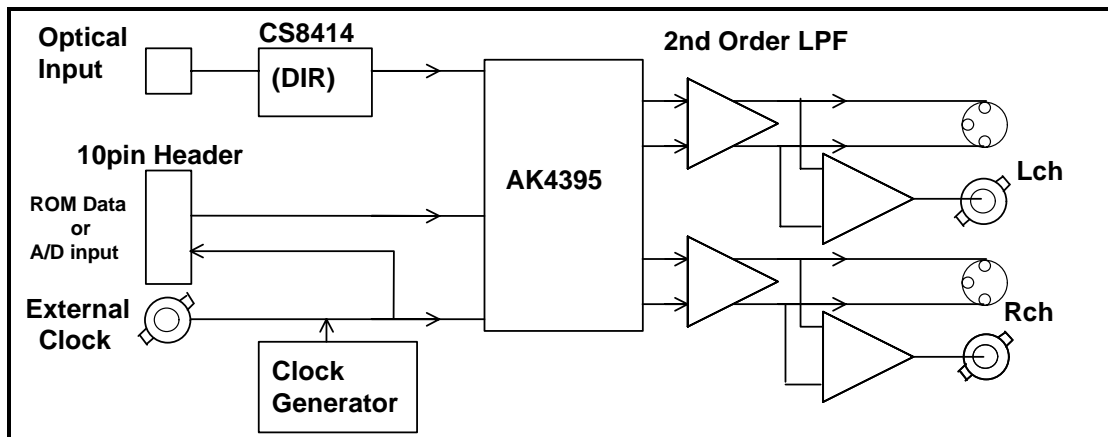


Fig.1 Block diagram

* Circuit diagram and PCB layout are attached at the end of this manual.
(AKD4395 Rev.C is same as AKD4393 Rev.C.)

■ External Analog Circuit (Rev.C)

The differential output circuit and LPF is implemented on board. The differential outputs of AK4395 is buffered by non-inverted circuit and output via Cannon connector(differential output). LPF adds differential outputs. NJM5534D is used for op-amp on this board that has low noise and high voltage tolerance characteristics. Analog signal is output via Cannon and BNC connectors on the board. The output level is about 2.73Vrms (typ@VREF=5.0V) by Cannon and 2Vrms (typ@VREF=5.0V) by BNC.

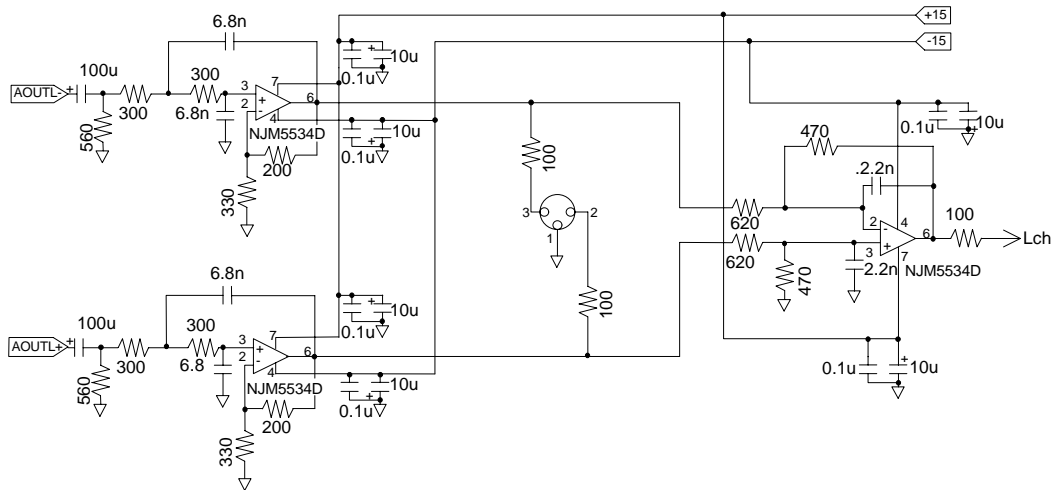


Fig.2 External Analog Filter

■ Operation sequence

1. Set up the jumpers for power supply.

[JP15(REG)] selects power supply for AVDD pin of AK4395.

short: 5V is supplied from regulator. (default)

Nothing should be connected to A5V jack.

open: 5V is supplied from A5V.

2. Set up the power supply lines.

+15V=15V, -15V=-15V: Power supply for op-amp. AVDD of AK4395 is supplied from "+15V" through regulator (JP15: short).

A5V=5V: This jack is used when AVDD of AK4395 is supplied from this. In this case, JP15 should be open.

DVDD=5V: Power supply for logic circuit on this board.

VP=3V~5.25V: Digital (set JP10 to VP),

AGND=DGND=0V .

Each supply line should be distributed from the power unit.

3. Set up the evaluation modes by jumper pins and DIP switches.(See next item.)

4. Power on.(The AK4395 should be reset once by bringing PD "L" upon power-up.)

*SW1 resets the AK4395 during operation.

The AK4395 is reset at SW1="L" and exits resetting at SW1="H".

■ The evaluation modes and corresponding jumper pins setting

1. Evaluation Modes

●Applicable Evaluation Mode

- (1) DIR(Optical Link)
- (2) Ideal sine wave generated by ROM data
- (3) Using AD converted data
- (4)All interface signals including master clock are fed externally.

(1) DIR(Optical Link) (default)

PORT2 is used for the evaluation using such as CD test disk. The DIR generates MCLK, BICK and LRCK SDATA from the received data through optical connector(PORT2: TORX176).

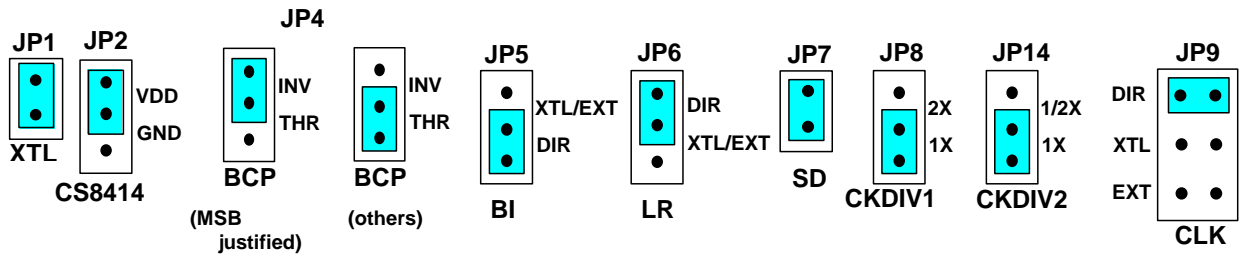


Fig.3 Jumper set-up (DIR)

(2) Ideal sine wave generated by ROM data

Digital signal generated by AKD43XX are used. PORT1 is used for the interface with AKD43XX. Master clock is sent from AKD4395 to AKD43XX then LRCK, BICK and SDATA are sent from AKD43XX to AKD4395.

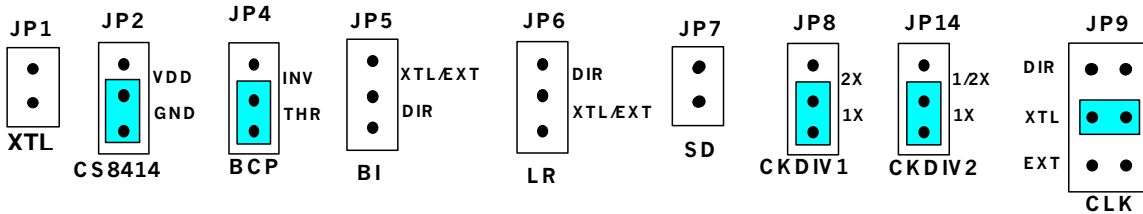


Fig.4 Jumper set-up (ROM data)

(3) Using AD converted data

AD converted data from AKM's AD evaluation boards(AKD539X, AKD535X) is used through PORT1.

* In case of using external clock through a BNC connector, select EXT of JP9 and short JP1.

* In case of using the double speed sampling mode, select 1/2X of JP8 and set S2-2(DFS) on.

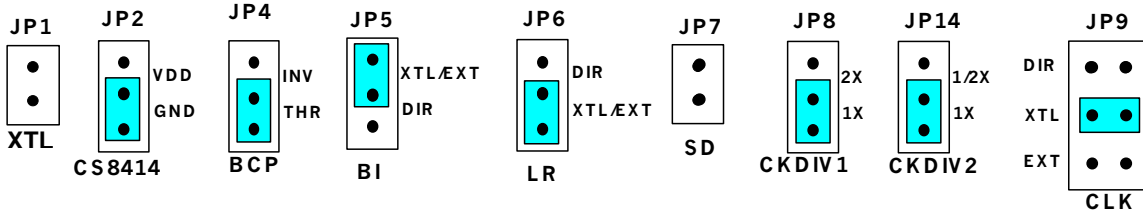


Fig.5 Jumper set-up (A/D)

(4) All interface signals including master clock are fed externally.

Under the following set-up, MCLK, LRCK and SCLK signals needed for the D/A to operate could be fed through PORT1.

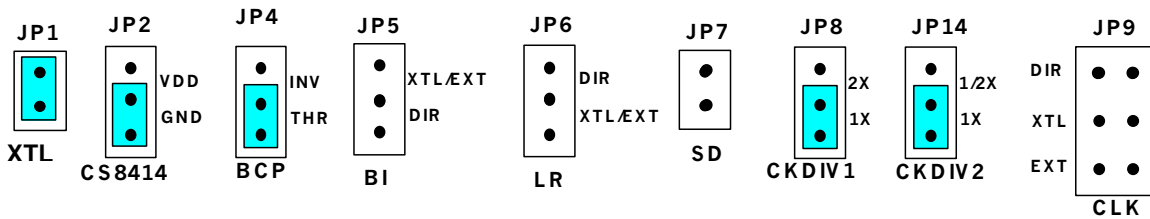


Fig.6 Jumper set-up (ext.)

2. MCLK set-up

When the LRCK is fed from the 74HC4040 on the board, The ratio of MCLK to LRCK can be selected by JP8 and JP14.

JP14	JP8	X'tal	MCLK	fs	MCLK/LRCK
1X	1X	12.288MHz	12.288MHz	48kHz	256
1X	2X	24.576MHz	24.576MHz	48kHz	512
1/2X	1X	24.576MHz	12.288MHz	96kHz	128
1/2X	2X	49.152MHz	12.288MHz	96kHz	128

Table.1 set-up example

3. BICK set-up

When BICK is supplied from U1(74HC4040), either 32fs or 64fs could be selected. Fig.8 shows 64fs mode. 64fs mode is recommended.

*Only mode 0(LSB justified 16bit mode) can correspond to 32fs.

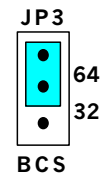


Fig.7 Jumper Set-up (BCS)

4. DIP switch set-up

Confirm the set-up of the DIP switch before the operation. “ON” means “H” and “OFF” means “L”.

4-1. System Clock

There are two methods to set MCLK frequency. In Manual Setting Mode (ACKS = “0”: Register 00H), the sampling speed is set by DFS0/1 (Table 1,4). CKS0/1/2 set the frequency of MCLK at each sampling speed (Table 2,5). In Auto Setting Mode (ACKS = “1”: Default), as MCLK frequency is detected automatically (Table 9), and the internal master clock becomes the appropriate frequency, it is not necessary to set DFS0/1 and CKS0/1/2. In parallel mode, CKS2 and DFS1 are fixed to “0”.

All external clocks (MCLK, BICK and LRCK) should always be present whenever the AK4395 is in normal operation mode (PD = “H”). If these clocks are not provided, the AK4395 may draw excess current because the device utilizes dynamic refreshed logic internally. If the external clocks are not present, the AK4395 should be in the power-down mode (PDN = “L”) or in the reset mode (RSTN = “0”). After exiting reset at power-up etc., the AK4395 is in power-down mode until MCLK and LRCK are input.

Parallel Mode :

DFS0 (SW3-1)	Sampling Rate (fs)		Default
OFF	Normal Speed Mode	30kHz~54kHz	
ON	Double Speed Mode	60kHz~108kHz	

Table 1. Sampling Speed (Manual Setting Mode)

Note: DFS1 (Register 00H) can be set at only serial mode.

Mode	ACKS (SW4-3)	CKS1 (SW4-2)	CKS0 (SW4-1)	Normal	Double	Quad	Default
0	OFF	OFF	OFF	256fs	128fs	N/A	
1	OFF	OFF	ON	256fs	256fs	N/A	
2	OFF	ON	OFF	384fs	192fs	N/A	
3	OFF	ON	ON	384fs	384fs	N/A	
*	ON	*	*	512fs /768fs	256fs /384fs	128fs /192fs	

Table 2. Master Clock (Manual Setting Mode)

Note: When ACKS is ON, Auto Setting Mode is enabled.

Serial Mode :

CAD0 (SW3-1)	DZFR (SW4-3)	CAD1 (SW4-2)	DZFL (SW4-1)	Default
OFF	OFF	OFF	OFF	

Table 3. Set up of SW3-1 and SW4

Note: SW4-1 and SW4-3 must be always OFF.

SW3-1 and SW4-2 are chip addresses of uP I/F.

DFS1	DFS0	Sampling Rate (fs)		Default
OFF	OFF	Normal Speed Mode	30kHz~54kHz	
OFF	ON	Double Speed Mode	60kHz~108kHz	
ON	OFF	Quad Speed Mode	120kHz~216kHz	

Table 4. Sampling Speed (Manual Setting Mode)

Mode	CKS2	CKS1	CKS0	Normal	Double	Quad	Default
0	OFF	OFF	OFF	256fs	128fs	N/A	
1	OFF	OFF	ON	256fs	256fs	N/A	
2	OFF	ON	OFF	384fs	192fs	N/A	
3	OFF	ON	ON	384fs	384fs	N/A	
4	ON	OFF	OFF	512fs	256fs	128fs	
5	ON	OFF	ON	512fs	N/A	N/A	
6	ON	ON	OFF	768fs	384fs	192fs	
7	ON	ON	ON	768fs	N/A	N/A	

Table 5. Master Clock (Manual Setting Mode)

Note: The master clock at quad speed support only 128fs or 192fs.

RCK	MCLK				BICK
	fs	256fs	384fs	512fs	
32.0kHz	8.1920MHz	12.288MHz	16.3840MHz	24.576MHz	2.0480MHz
44.1kHz	11.2896MHz	16.9344MHz	22.5792MHz	33.8688MHz	2.8224MHz
48.0kHz	12.2880MHz	18.4320MHz	24.5760MHz	36.8640MHz	3.0720MHz

Table 6. System Clock example (Normal Speed Mode @Manual Setting Mode)

LRCK	MCLK				BICK
	fs	128fs	192fs	256fs	
88.2kHz	11.2896MHz	16.9344MHz	22.5792MHz	33.8688MHz	5.6448MHz
96.0kHz	12.2880MHz	18.4320MHz	24.5760MHz	36.8640MHz	6.1440MHz

Table 7. System Clock example (Double Speed Mode @Manual Setting Mode)

LRCK	MCLK		BICK
	fs	fs	
176.4kHz	22.5792MHz	33.8688MHz	11.2896MHz
192.0kHz	24.5760MHz	36.8640MHz	12.2880MHz

Table 8. System Clock example (Quad Speed Mode @Manual Setting Mode)

MCLK		Sampling Speed
512fs	768fs	Normal
256fs	384fs	Double
128fs	192fs	Quad

Table 9. Sampling Speed (Auto Setting Mode)

LRCK	MCLK (MHz)						Sampling Speed
	fs	128fs	192fs	256fs	384fs	512fs	
32.0kHz	-	-	-	-	16.3840	24.5760	Normal
44.1kHz	-	-	-	-	22.5792	33.8688	
48.0kHz	-	-	-	-	24.5760	36.8640	
88.2kHz	-	-	22.5792	33.8688	-	-	Double
96.0kHz	-	-	24.5760	36.8640	-	-	
176.4kHz	22.5792	33.8688	-	-	-	-	Quad
192.0kHz	24.5760	36.8640	-	-	-	-	

Table 10. System Clock example (Auto Setting Mode)

4-2. Set-up of SW3,(Mode set-up of AK4395: see the datasheet of AK4395)

Mode	DIF2 (SW3-2)	DIF1 (SW3-3)	DIF0 (SW3-4)	Mode	BICK
0	OFF	OFF	OFF	0: 16bit LSB Justified	≥32fs
1	OFF	OFF	ON	1: 20bit LSB Justified	≥40fs
2	OFF	ON	OFF	2: 24bit MSB Justified	≥48fs
3	OFF	ON	ON	3: I ² S Compatible	≥48fs
4	ON	OFF	OFF	4: 24bit LSB Justified	≥48fs

(default)

Table 11. Audio Serial Interface Format Select pins (SW3-2,3,4)

4-3. Set-up of SW6 (Mode set-up of CS8414. About details, see the datasheet of CS8414)

Adjust the audio format of CS8414(DIR) to AK4395. CS8414 does not match the LSB justified 20bit/24bit mode of AK4395.

M3 (SW6-2)	M2 (SW6-3)	M1 (SW6-4)	M0 (SW6-5)	Format	JP4
OFF	OFF	OFF	OFF	24bit MSB Justified	INV
OFF	OFF	ON	OFF	I ² S Compatible	THR
OFF	ON	OFF	ON	16bit LSB Justified	THR

(default)

Table 12. Set-up SW6

SW6-1(SEL) :Usually ON.

SW6-6(CS12): Select the channel for indicating the channel status.

ON: Rch, OFF: Lch(default)

5. Parallel/Serial Control

SW5: set up P/S pin of AK4395.

“H”: Parallel mode. Nothing should be connected to PORT3. JP11, 12 and 13 should be short.

“L”: Serial mode. PORT3 is used. JP11, 12 and 13 should be open. SW4-1 and SW4-3 must be OFF.

6. Other set-up

SW1: Reset of AK4395. Select "H" during operation.

SW2: Soft-mute of AK4395. The soft-mute is executed during SW2 pushed.

LE1 : This LED shows pre-emphasis status. It turns on when the data is pre-emphasized.

LE2 : This LED shows the output of VERR pin in CS8414. It turns on when the error is occurred in CS8414.

■ AK4395 Measurement Example

Conditions:

AVDD =DVDD= 5.0V (AVDD is supplied by regulator)
 Interface = DIR (44.1kHz, 96kHz)
 MCLK = 256fs(fs=44.1kHz, 96kHz)
 BICK = 64fs
 fs = 44.1kHz, 96kHz,
 Input data = 24bit
 Room Temperature
 Measurement unit: Audio Precision System Two Cascade (fs=44.1kHz, 96kHz)

fs=44.1kHz

Parameter	Input signal	Measurement filter	Lch	Rch
S/(N+D)	1kHz, 0dB	20kLPF	102.0dB	102.1dB
DR	1kHz, -60dB	20kLPF	116.9dB	116.8dB
		22kLPF, A-weighted	119.2dB	119.2dB
S/N	no signal	20kLPF	117.8dB	117.8dB
		22kLPF, A-weighted	120.1dB	120.1dB

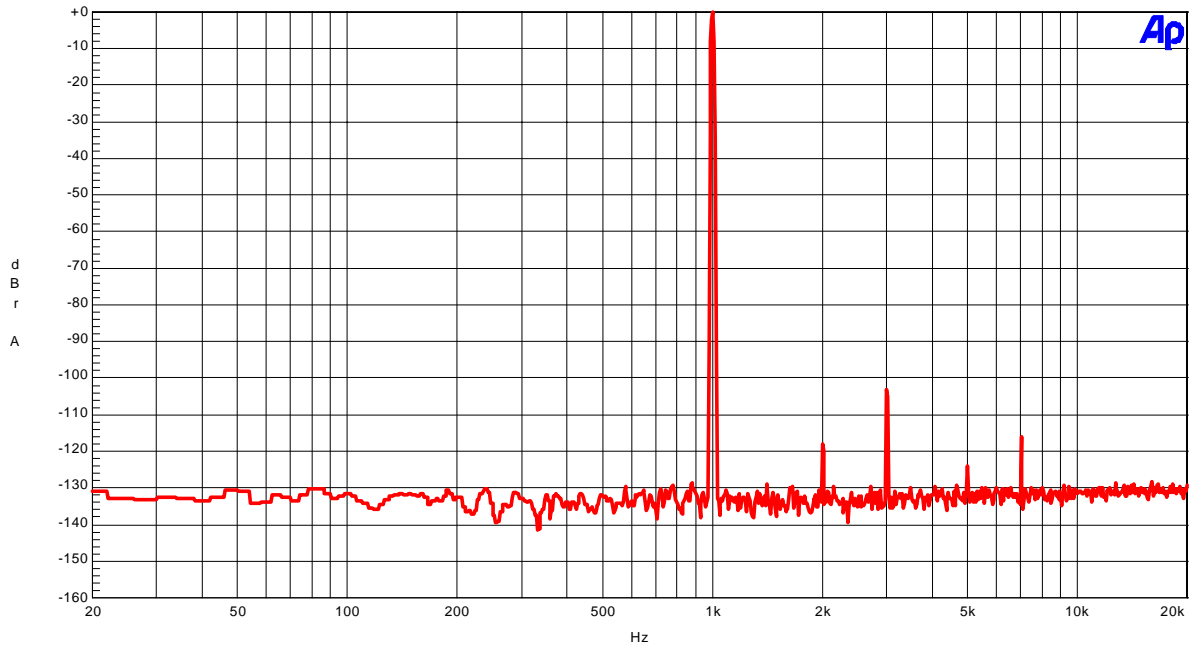
fs=96kHz

Parameter	Input signal	Measurement filter	Lch	Rch
S/(N+D)	1kHz, 0dB	40kLPF	100.0dB	100.0dB
DR	1kHz, -60dB	40kLPF	114.4dB	114.4dB
		80kLPF, A-weighted	119.9dB	119.5dB
S/N	no signal	40kLPF	114.6dB	114.4dB
		80kLPF, A-weighted	119.7dB	119.5dB

(fs=44.1kHz)

AKM

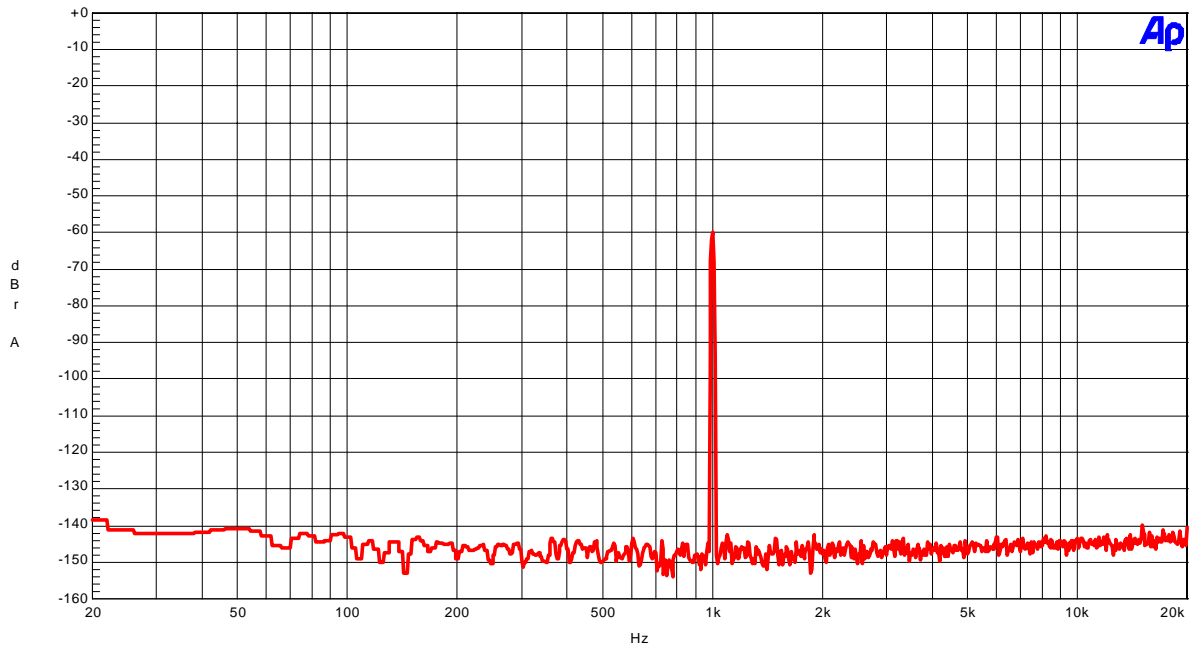
AK4395 FFT (Input Level=0dBFS, fin=1kHz)



FFT (1kHz, 0dBFS input)

AKM

AK4395 FFT (Input Level=-60dBFS, fin=1kHz)

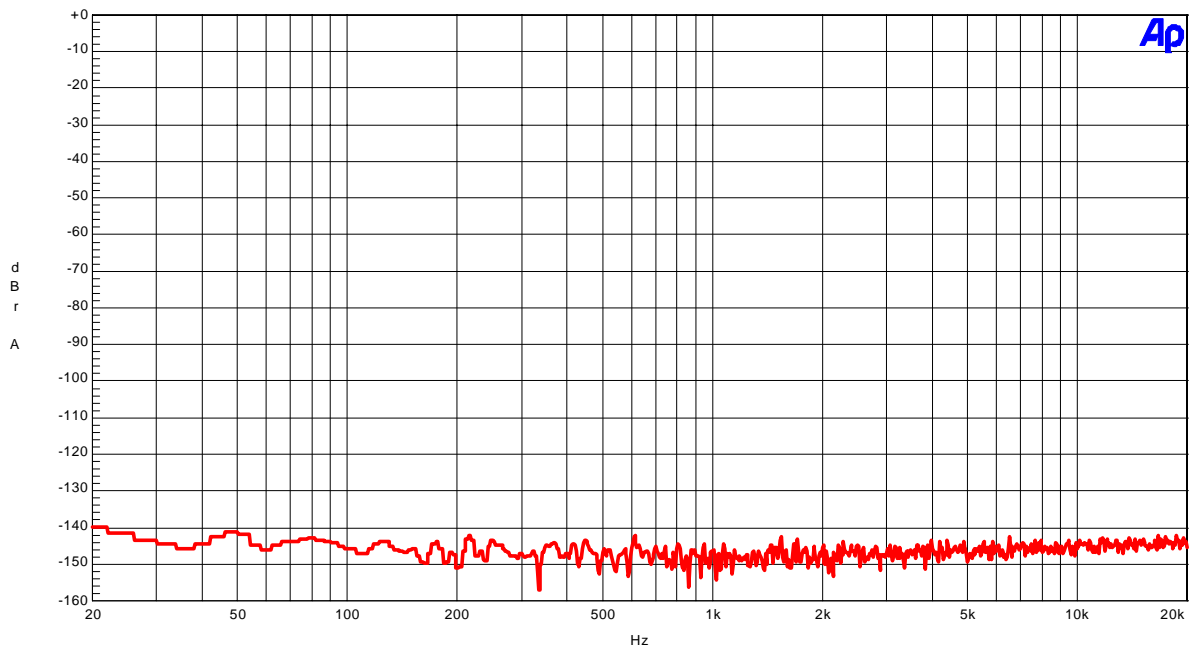


FFT (1kHz, -60dBFS input)

(fs=44.1kHz)

AKM

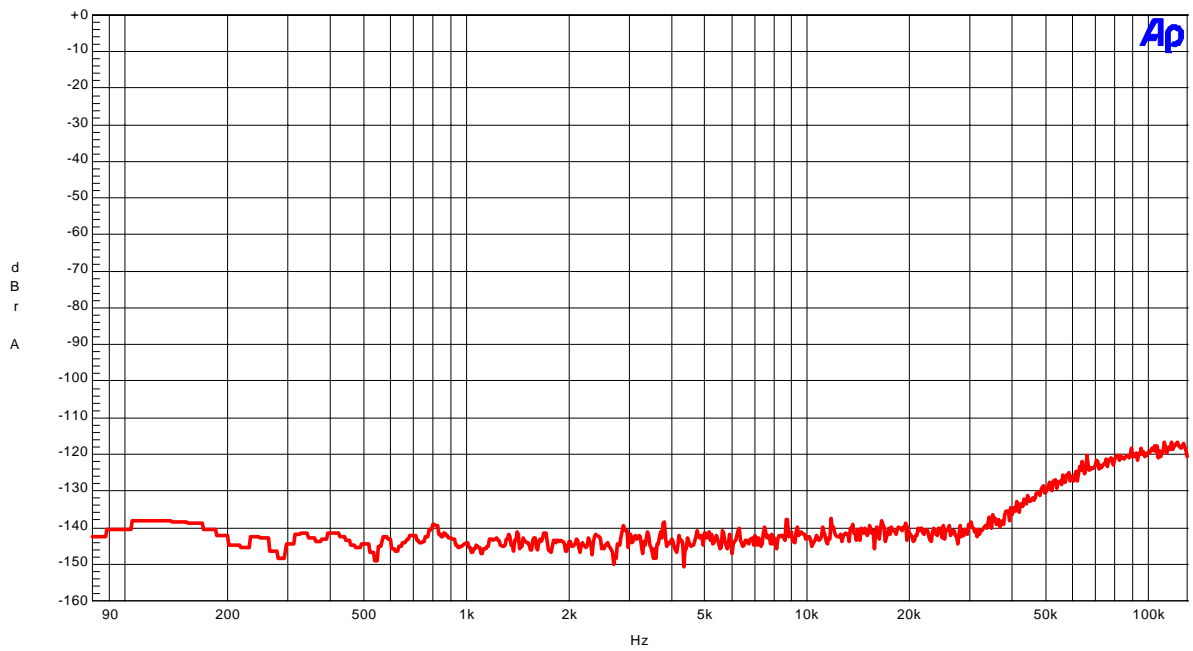
AK4395 FFT (noise floor)



FFT (noise floor)

AKM

AK4395 FFT (out-of-band noise)

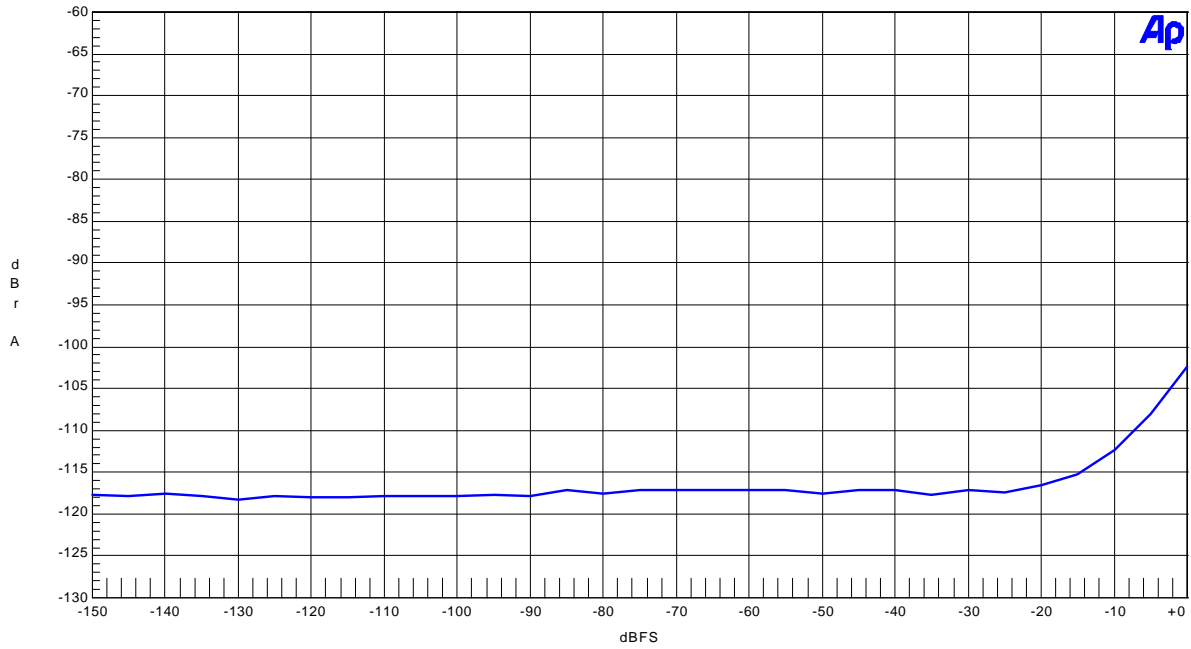


FFT (out-of-band noise)

(fs=44.1kHz)

AKM

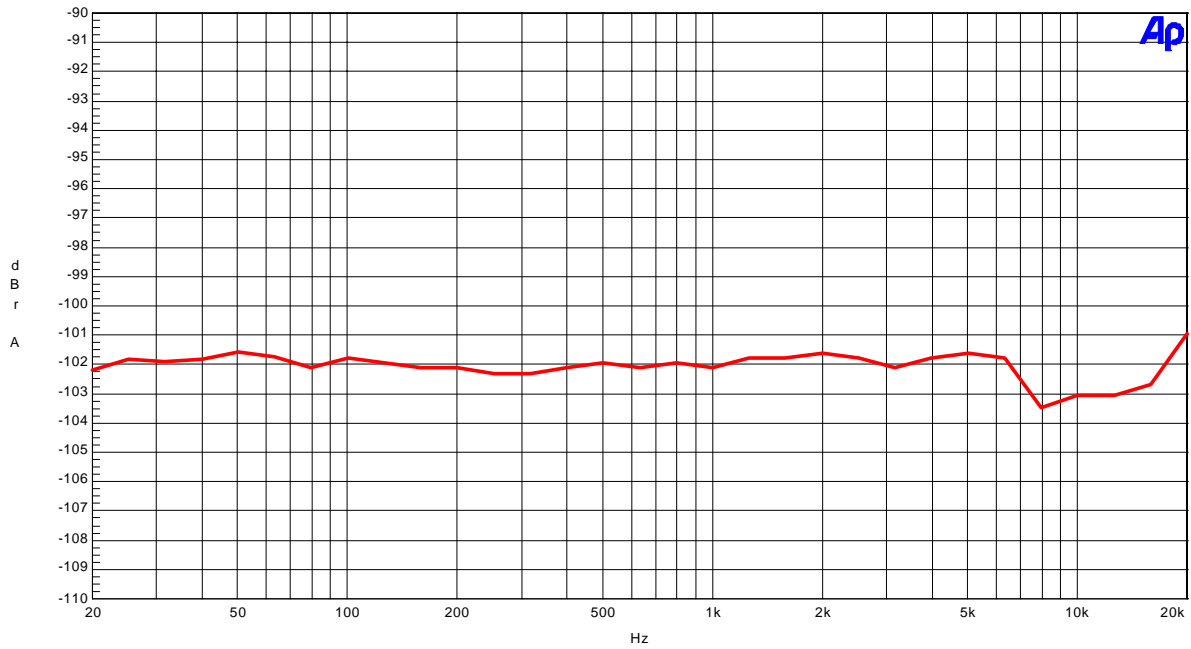
AK4395 THD + N vs Amplitude(fin=1kHz)



THD+N vs Input Level (fin=1kHz)

AKM

AK4395 THD + N vs Input Frequency (Input Level=0dBFS)

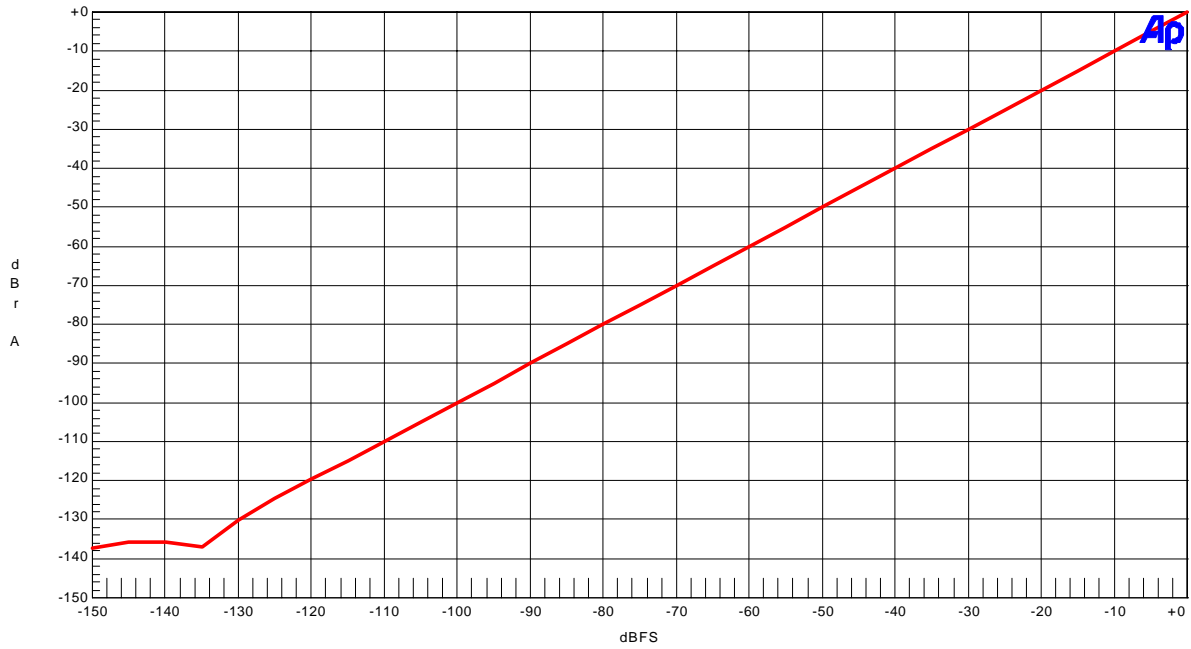


THD+N vs fin (Input level=0dBFS)

(fs=44.1kHz)

AKM

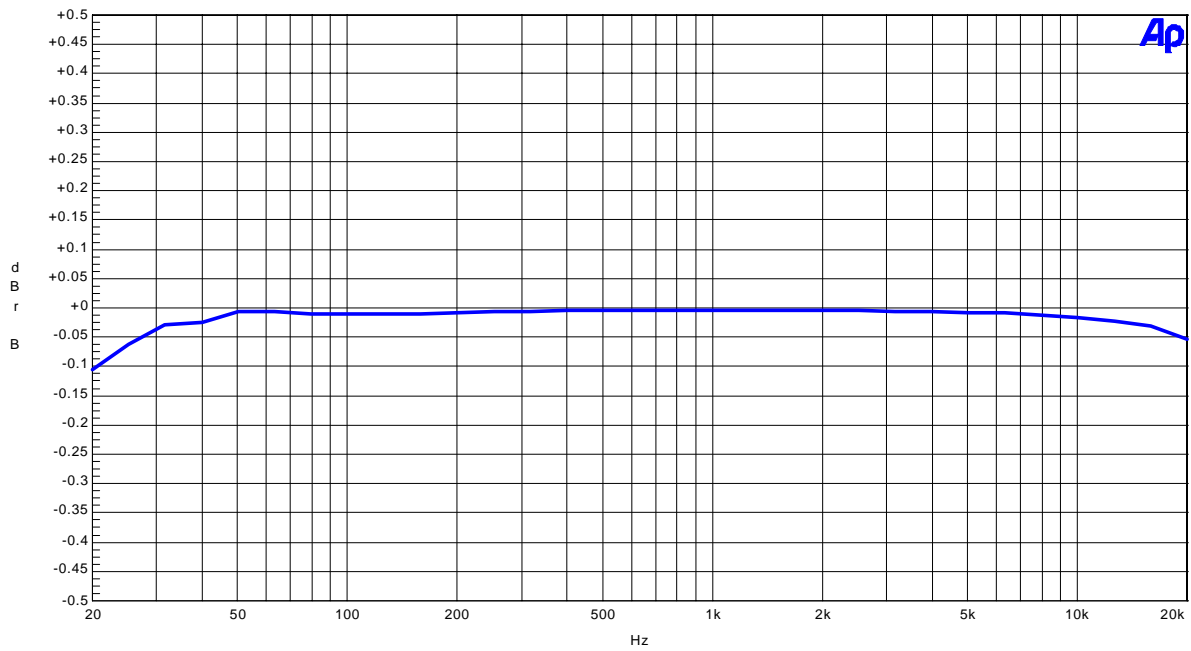
AK4395 Linearity (fin=1kHz)



Linearity (fin=1kHz)

AKM

AK4395 Frequency Response

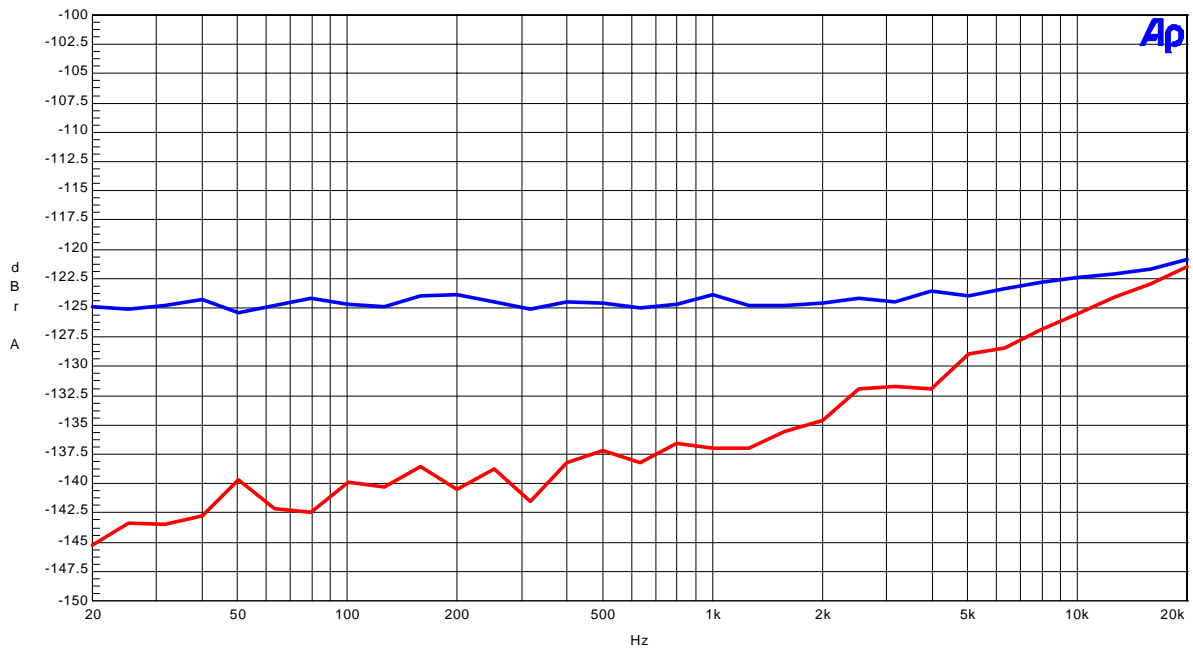


Frequency Response (Input level=0dBFS)

(fs=44.1kHz)

AKM

AK4395 Frequency Response

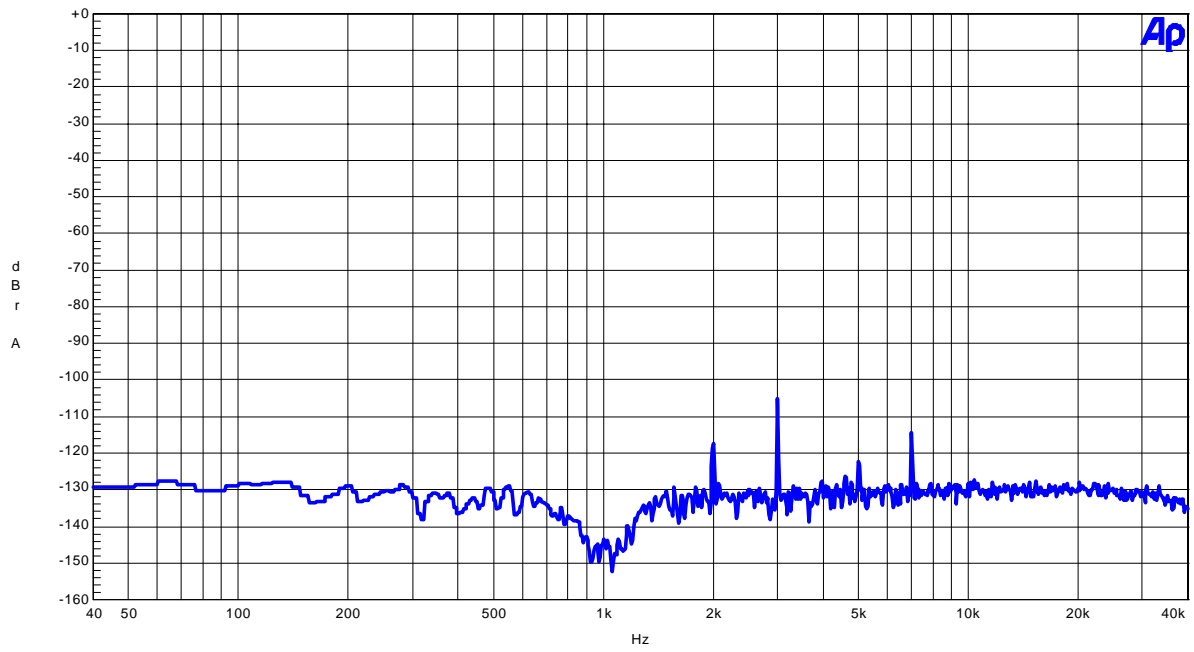


Cross-talk (Input level=0dBFS)

(fs=96kHz)

AKM

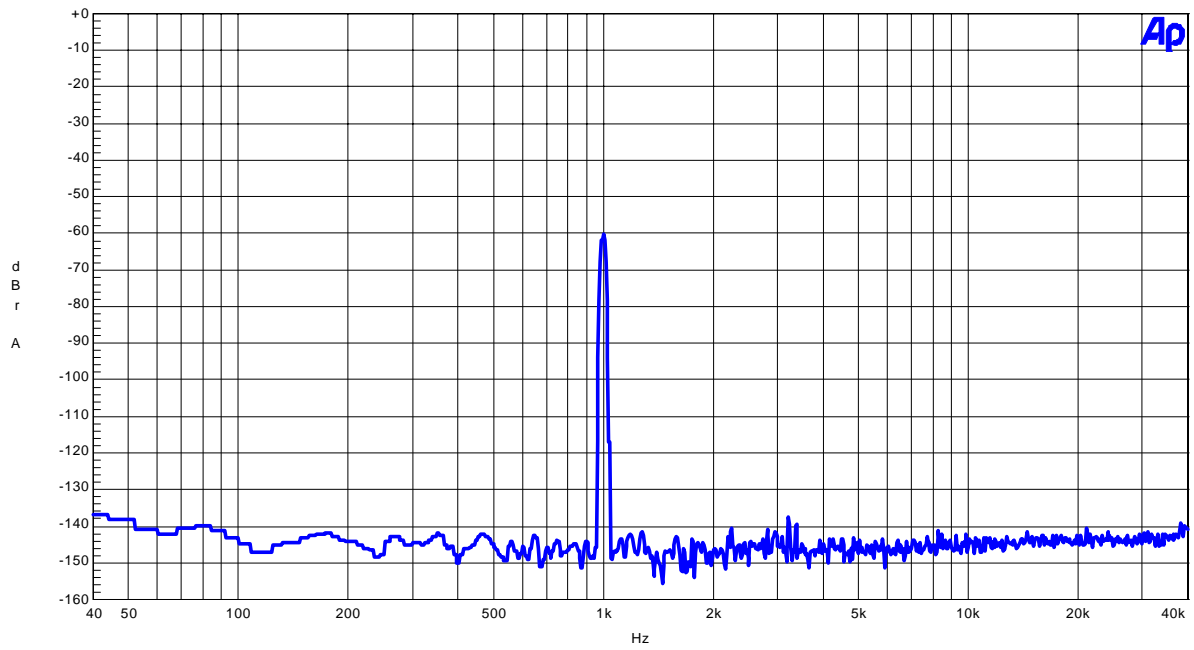
AK4395 FFT (Input Level=0dBFS, fin=1kHz, Notch On)



FFT (1kHz, 0dBFS input, Notch=NO)

AKM

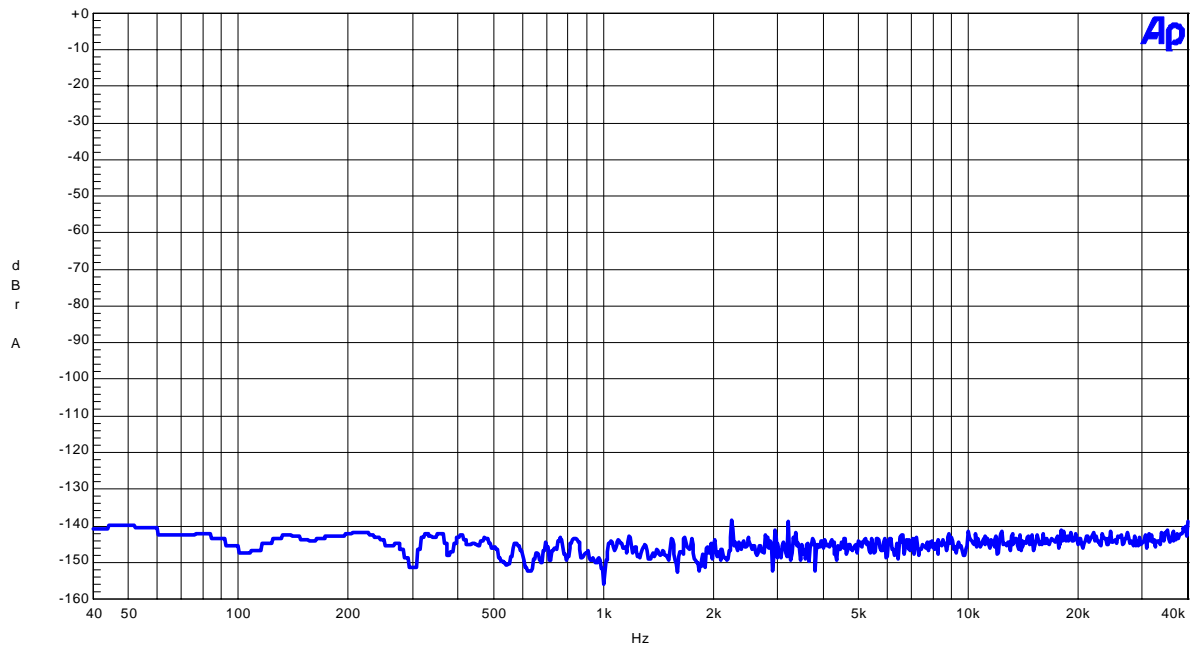
AK4395 FFT (Input Level=-60dBFS, fin=1kHz)



FFT (1kHz, -60dBFS input)

AKM

AK4395 FFT (Input Level=-60dBFS, fin=1kHz)

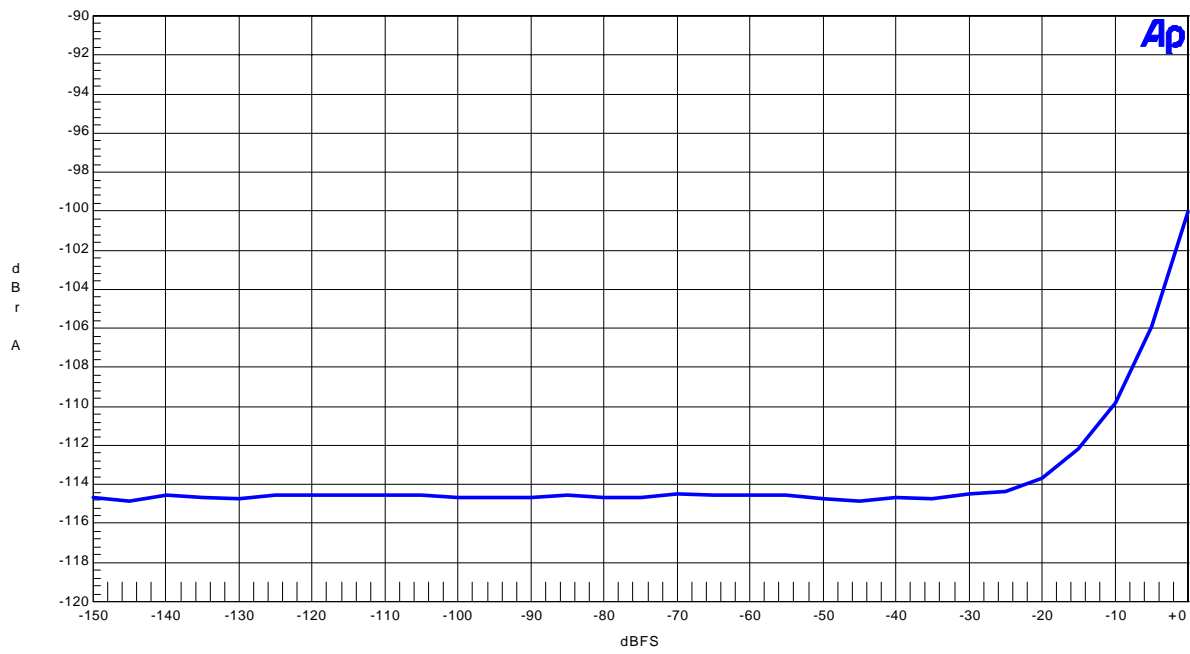


FFT (noise floor)

(fs=96kHz)

AKM

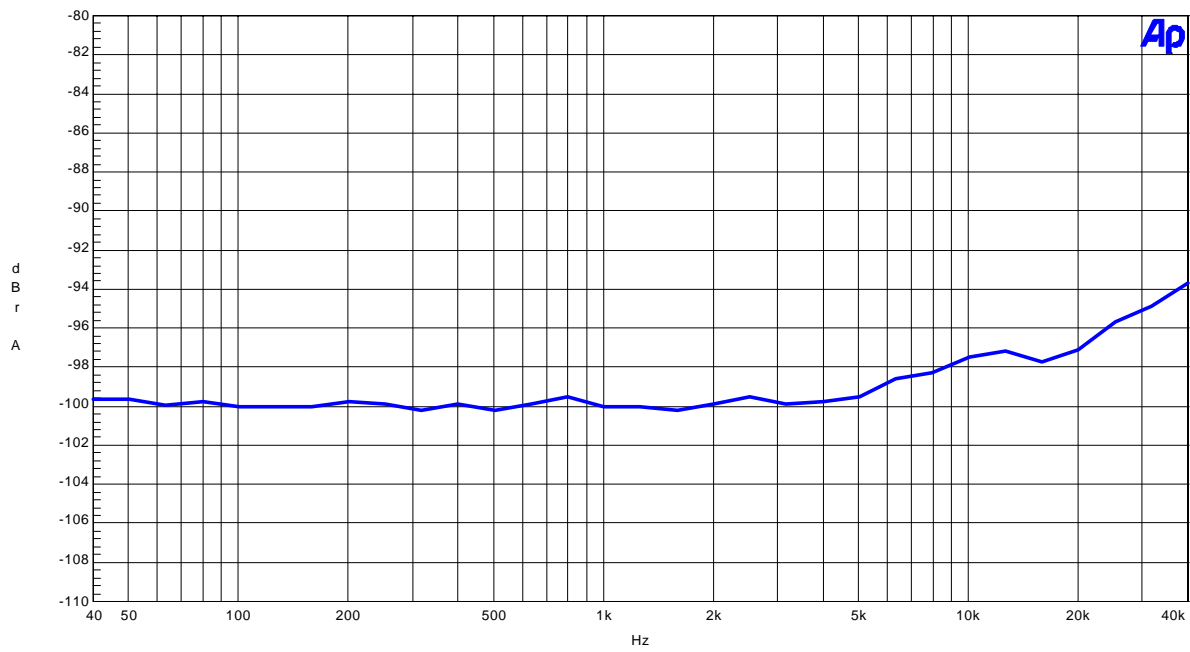
AK4395 THD + N vs Amplitude (fin=1kHz)



THD+N vs Input Level (fin=1kHz)

AKM

AK4395 THD + N vs e (Input Level=0dBFS)

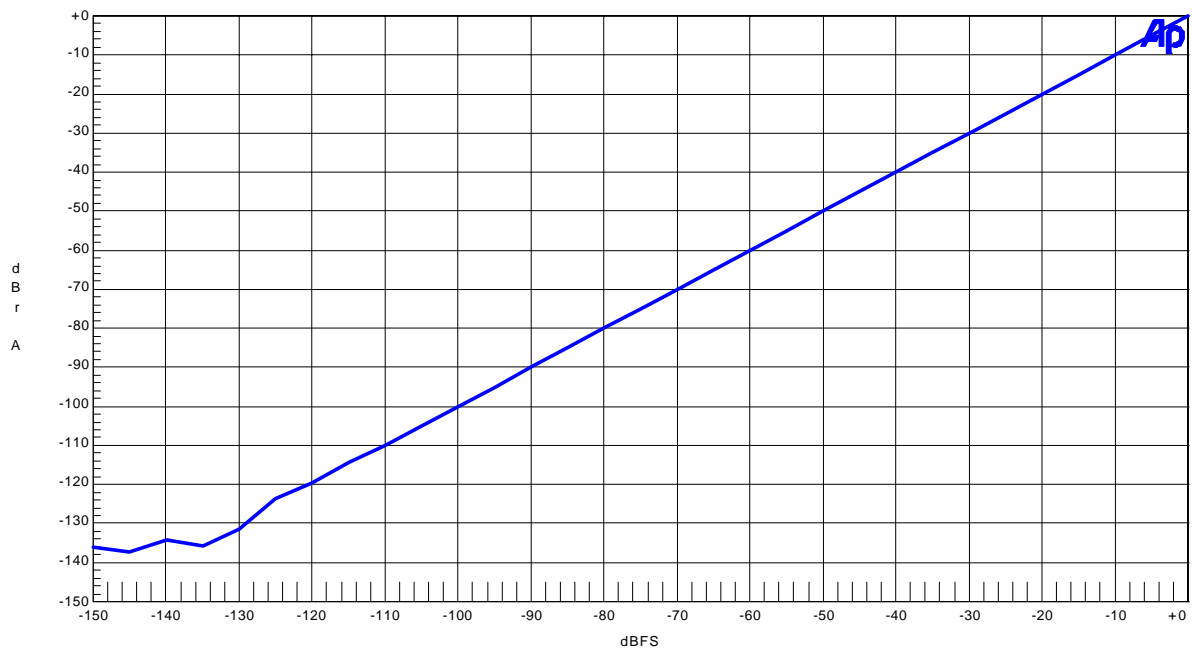


THD+N vs fin (Input level=0dBFS)

(fs=96kHz)

AKM

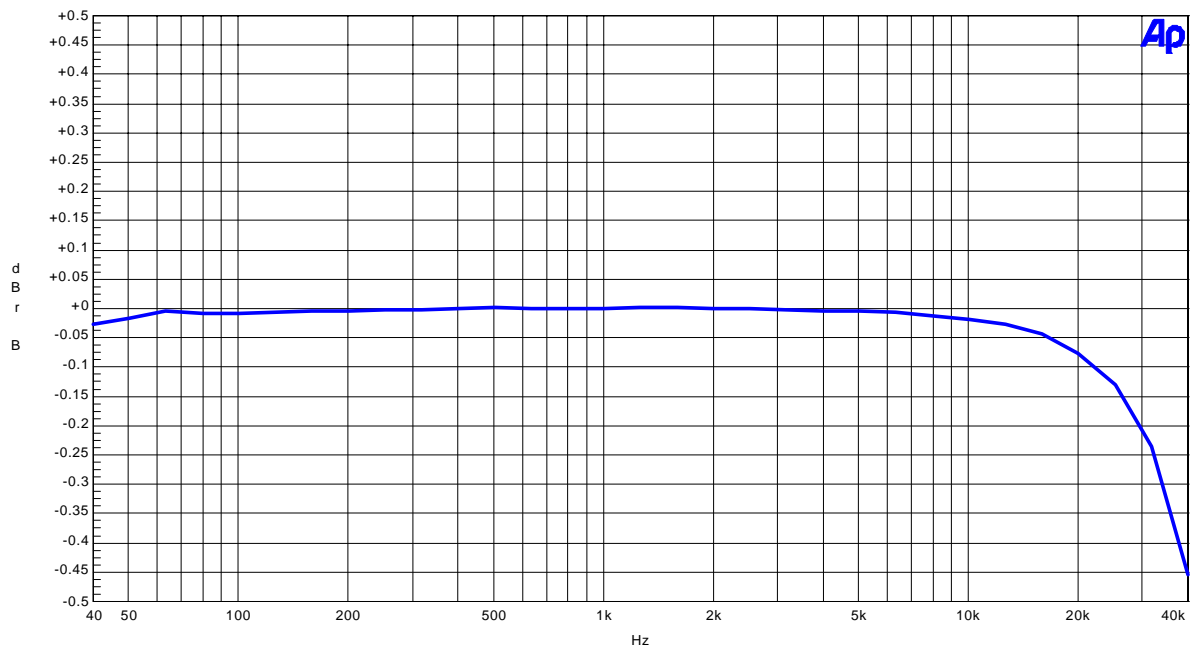
AK4395 Linearity(fin=1kHz)



Linearity (fin=1kHz)

AKM

AK4395 Frequency Response

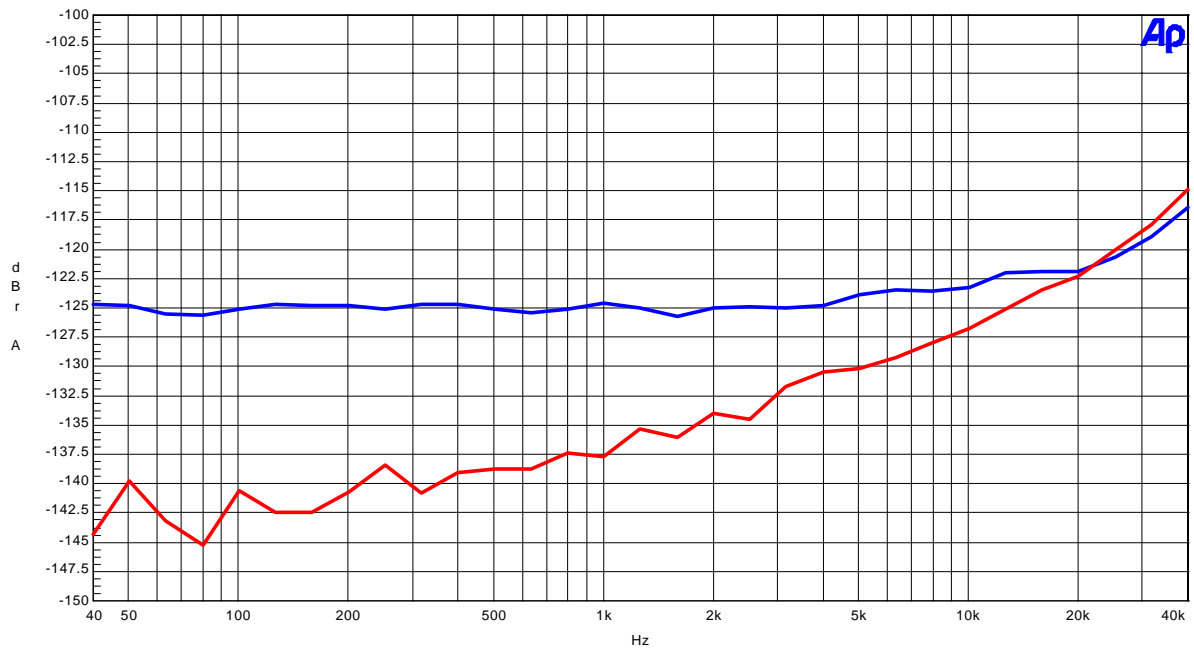


Frequency Response (Input level=0dBFS)
(Including external LPF)

(fs=96kHz)

AKM

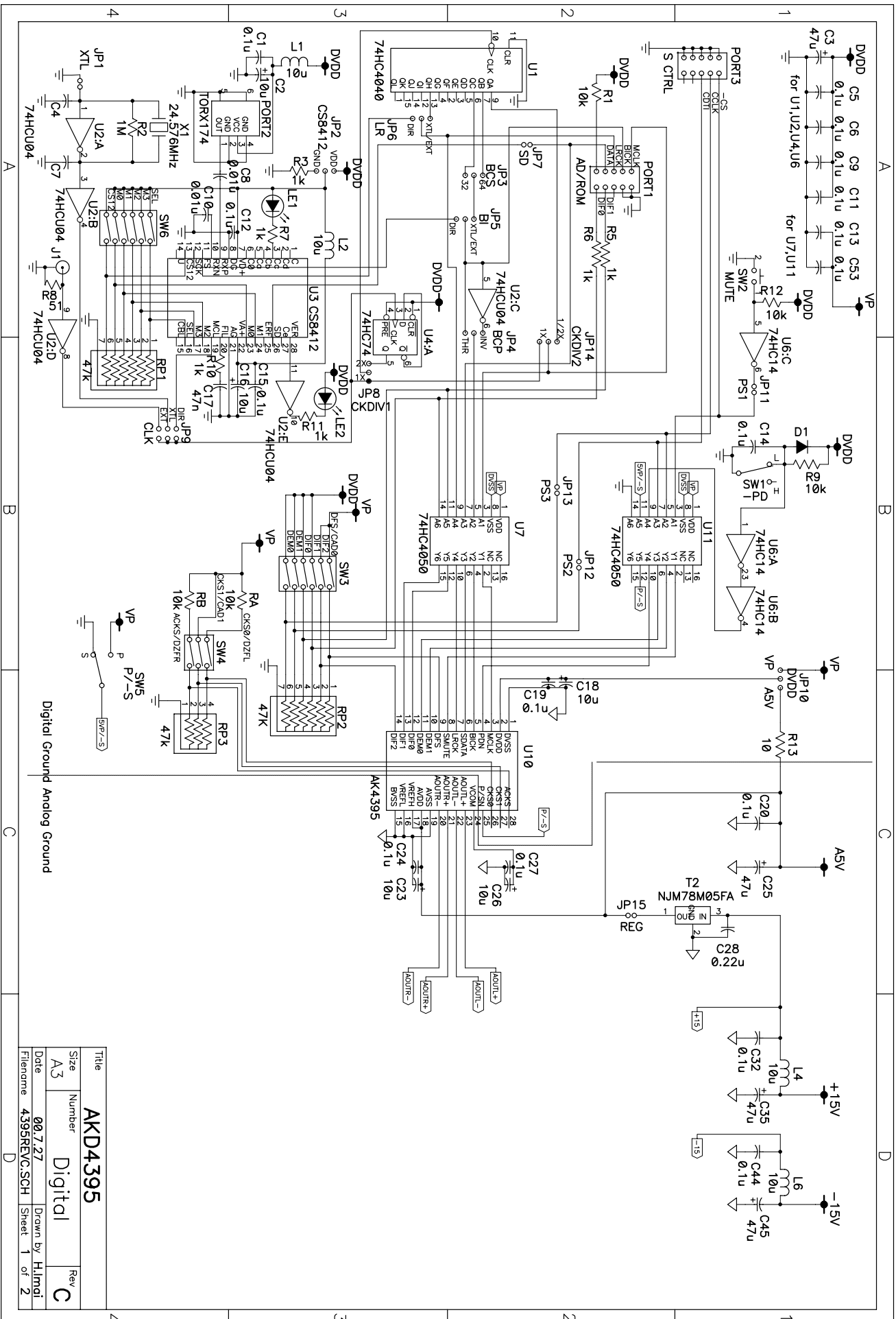
AK4395 Crosstalk



Cross-talk (Input level=0dBFS)

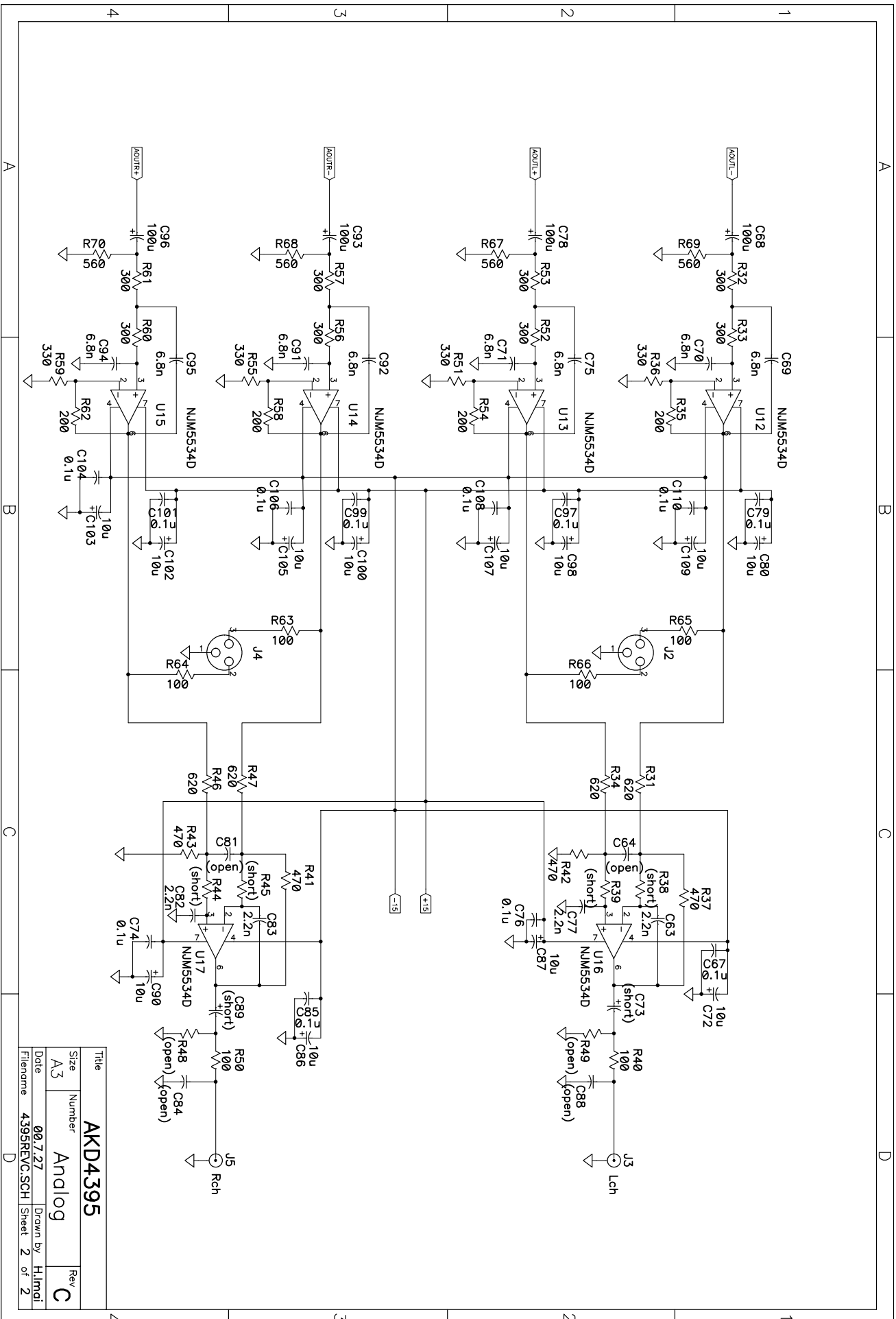
IMPORTANT NOTICE

- These products and their specifications are subject to change without notice. Before considering any use or application, consult the Asahi Kasei Microsystems Co., Ltd. (AKM) sales office or authorized distributor concerning their current status.
- AKM assumes no liability for infringement of any patent, intellectual property, or other right in the application or use of any information contained herein.
- Any export of these products, or devices or systems containing them, may require an export license or other official approval under the law and regulations of the country of export pertaining to customs and tariffs, currency exchange, or strategic materials.
- AKM products are neither intended nor authorized for use as critical components in any safety, life support, or other hazard related device or system, and AKM assumes no responsibility relating to any such use, except with the express written consent of the Representative Director of AKM. As used here:
 - (a) A hazard related device or system is one designed or intended for life support or maintenance of safety or for applications in medicine, aerospace, nuclear energy, or other fields, in which its failure to function or perform may reasonably be expected to result in loss of life or in significant injury or damage to person or property.
 - (b) A critical component is one whose failure to function or perform may reasonably be expected to result, whether directly or indirectly, in the loss of the safety or effectiveness of the device or system containing it, and which must therefore meet very high standards of performance and reliability.
- It is the responsibility of the buyer or distributor of an AKM product who distributes, disposes of, or otherwise places the product with a third party to notify that party in advance of the above content and conditions, and the buyer or distributor agrees to assume any and all responsibility and liability for and hold AKM harmless from any and all claims arising from the use of said product in the absence of such notification.

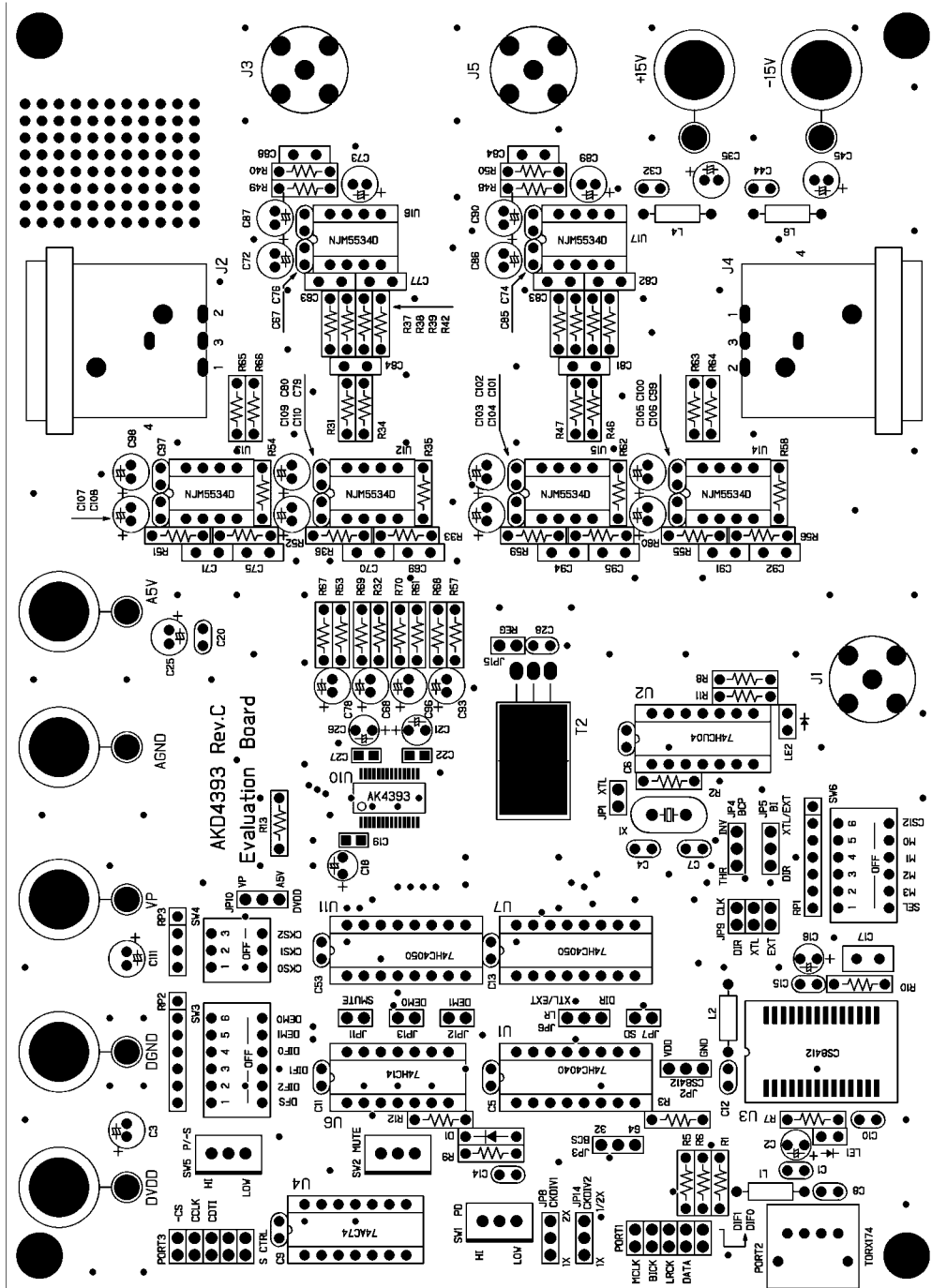


Title		AKD4395	
Size	Number	Digital	
A3			
Date	00.7.27	Drawn by Hilmni	
Filename	4395REV.C:SCH	Sheet	1 of 2

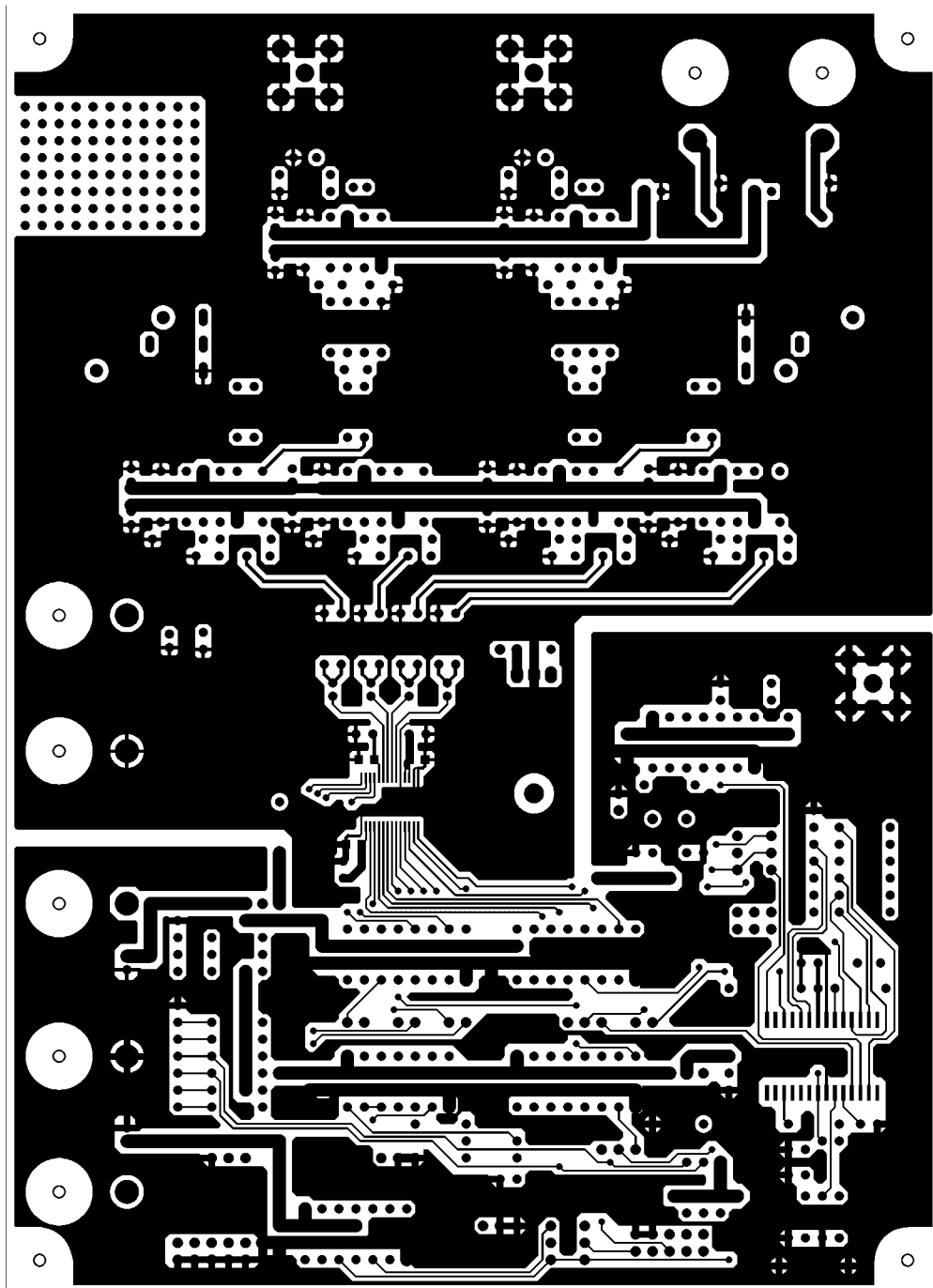
Digital Ground Analog Ground



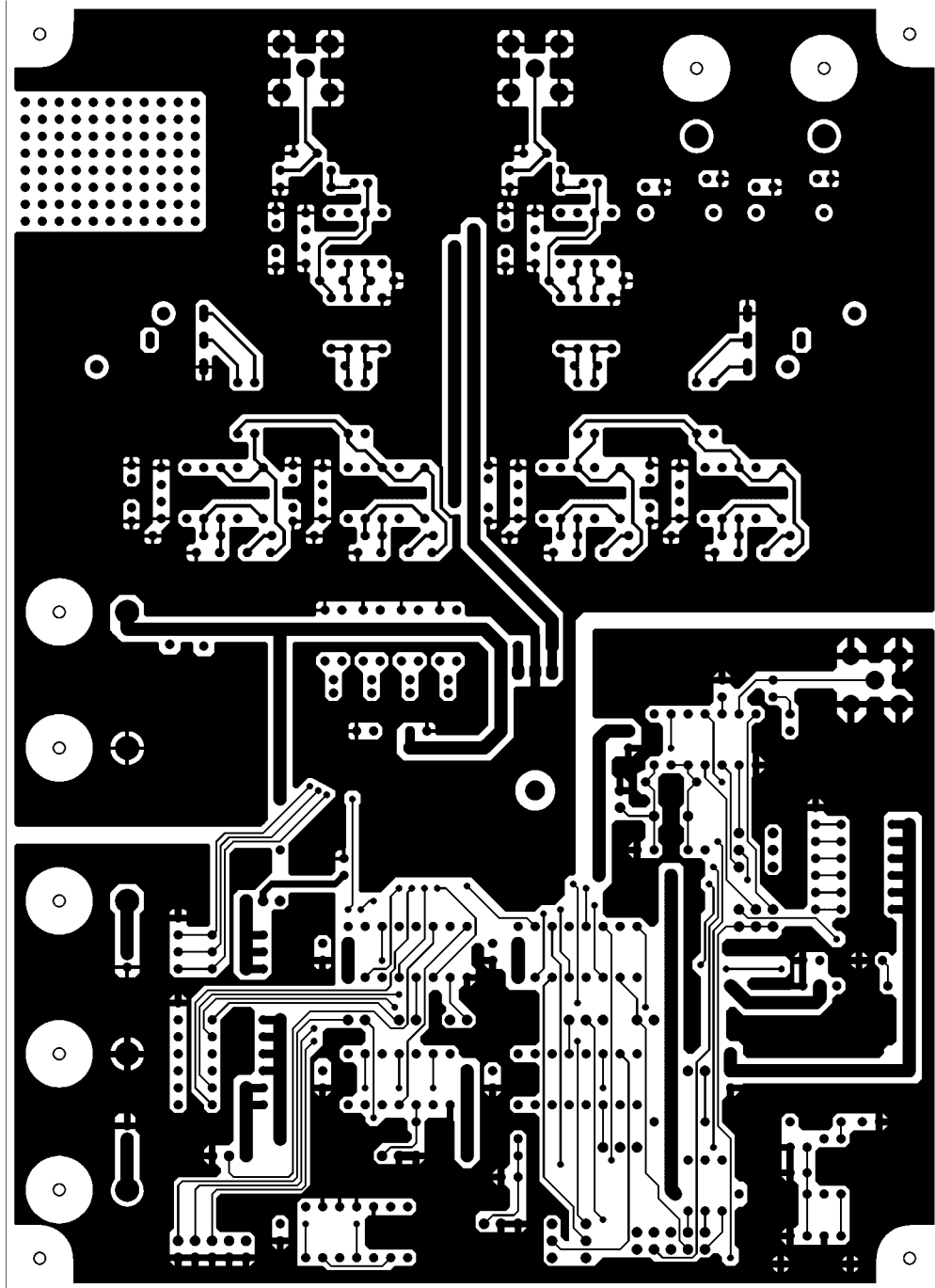
Title		AKD4395		Rev	C
Size	A3	Number	Analog	Drawn by	H.Jimati
Date	00.7.27	Filename	4395REV.CSCH	Sheet	2 of 2



4393C L1 SR SILK



4393C L1



4383C TS