

FAN7361, FAN7362 High-Side Gate Driver

Features

- Floating Channel Designed for Bootstrap Operation to +600V.
- Typically 250mA/500mA Sourcing/Sinking Current Driving Capability
- Common-Mode dv/dt Noise Canceling Circuit
- VCC & VBS Supply Range from 10V to 20V
- UVLO Function
- Output In-phase with Input

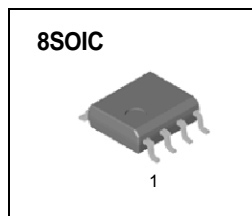
Typical Applications

- Fluorescent Lamp Ballast
- PDP Scan Driver
- Motor Control

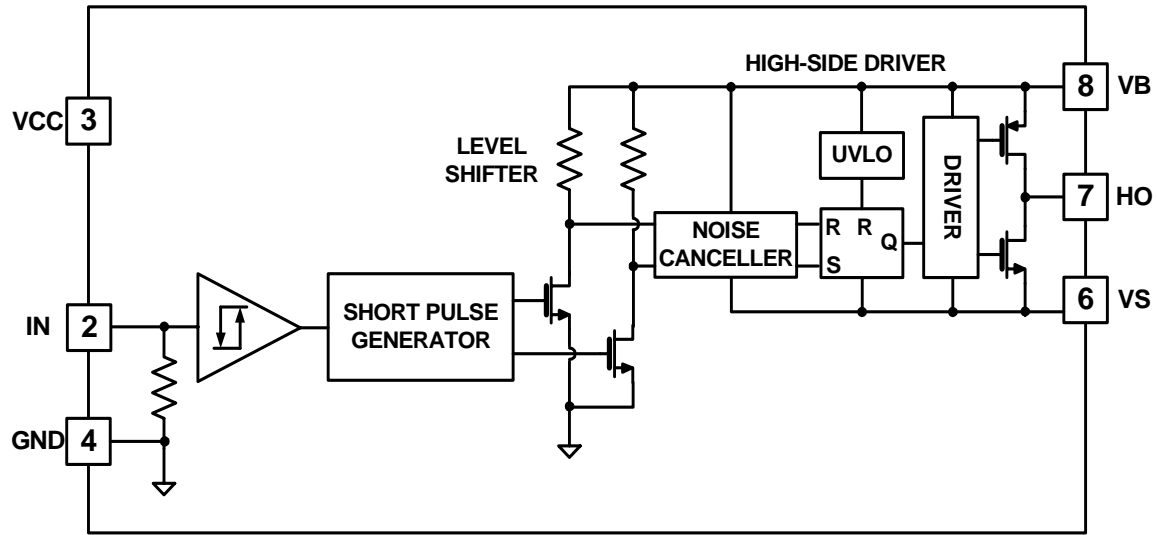
Description

The FAN7361/2, a monolithic high-side gate driver IC, can drive MOSFETs and IGBTs which operate up to +600V. Fairchild's high voltage process and common-mode noise canceling technique provides stable operation of the high-side driver under high dv/dt noise circumstances. An advanced level short circuit allows high-side gate driver operation up to $V_{DS} = -9.8V$ (typ.) for $V_{BS} = 15V$.

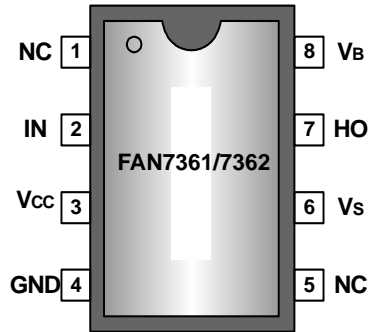
The UVLO circuit prevents malfunction when V_{BS} is lower than the specified threshold voltage. Output drivers typically source/sink 250mA/500mA, respectively, which is suitable for fluorescent lamp ballast, PDP scan driver, motor control, and so on.



Block Diagrams



Pin Assignments



Pin Definitions

Pine Number	Pin Name	I/O	Pin Function Description
1	NC	-	No Connection
2	IN	I	Logic Input for High Side Gate Driver Output
3	Vcc	I	Supply Voltage
4	GND	I	Logic Ground
5	NC	-	No Connection
6	VS	I	High Voltage Floating Supply Return
7	HO	O	High Side Driver Output
8	VB	I	High Side Floating Supply

Absolute Maximum Ratings

Parameter	Symbol	Min.	Max.	Unit
High side offset voltage	V_S	V_B-25	$V_B+0.3$	V
High side floating supply voltage	V_B	-0.3	625	
High side floating output voltage HO	V_{HO}	$V_S-0.3$	$V_B+0.3$	
Logic fixed supply voltage	V_{CC}	-0.3	25	
Logic input voltage (IN)	V_{IN}	-0.3	$V_{CC}+0.3$	
Allowable offset voltage slew rate	dV_S/dt	-	± 50	V/ns
Power dissipation	P_D	-	0.625	W
Thermal resistance, junction to ambient	R_{thja}	-	200	$^{\circ}C/W$
Junction temperature	T_J	-	150	$^{\circ}C$
Storage temperature	T_S	-	150	$^{\circ}C$

Notes:

1. Absolute maximum ratings indicate sustained limits beyond which damage to the device may occur. All voltage parameters are absolute voltage referenced to GND, all currents are defined positive into any lead.

Recommended Operating Ratings

Parameter	Symbol	Min.	Max.	Unit
High side floating supply voltage	V_B	V_S+10	V_S+20	V
High side floating supply offset voltage	V_S	$6-V_{CC}$	600	
High side (HO) output voltage	V_{HO}	V_S	V_B	
Logic input voltage (IN)	V_{IN}	GND	V_{CC}	
Logic supply voltage	V_{CC}	10	20	
Ambient Temperature	T_A	-40	125	$^{\circ}C$

ESD Level

Parameter	Pins	Conditions	Level	Unit
Human Body Model (HBM)	IN, VCC, COM, VB, HO	$R=1.5k\Omega$, $C=100pF$	± 1500	V
	VS		± 1000	
Machine Model (MM)	All Pins	$C=200pF$	± 300	
Charged Device Model (CDM)	All Pins		± 500	

Electrical Characteristics

($V_{BIAS}(V_{CC}, V_{BS})=15.0V$, $T_A = 25^\circ C$, unless otherwise specified. The V_{IN} and I_{IN} parameters are referenced to GND. The V_O and I_O parameters are referenced to V_S .

Parameter	Symbol	Conditions	Min.	Typ.	Max.	Unit
VBS supply under voltage positive becoming threshold	VBSUV+(FAN7361)	$V_{IN}=0V$	8.2	9.2	10.2	V
	VBSUV+(FAN7362)		7.6	8.6	9.6	
VBS supply under voltage negative becoming threshold	VBSUV-(FAN7361)	$V_{IN}=0V$	7.4	8.6	9.2	
	VBSUV-(FAN7362)		7.2	8.2	9.2	
VBS supply under voltage lockout hysteresis	VBSHYS(FAN7361)	$V_{IN}=0V$	-	0.5	-	
	VBSHYS(FAN7362)		-	0.4	-	
Offset supply leakage current	I_{LK}	$V_B=V_S=HO=600V$	-	-	10	μA
Quiescent VBS supply current	I_{QBS}	$V_{IN}=0V$ or $5V$	-	50	80	
Quiescent VCC supply current	I_{QCC}	$V_{IN}=0V$	-	30	75	
Operating VBS supply current	I_{PBS}	$C_L=1nF$, $f=10kHz$	-	420	550	
Logic "1" input voltage	$V_{IH}(FAN7361)$	-	3.6	-	-	V
	$V_{IH}(FAN7362)$	-	3.3	-	-	
Logic "0" input voltage	$V_{IL}(FAN7361)$	-	-	-	1.0	
	$V_{IL}(FAN7362)$	-	-	-	0.8	
High level output voltage, V_B-V_{HO}	V_{OH}	No load	-	-	0.1	
Low level output voltage, V_{HO}	V_{OL}	No load	-	-	0.1	
Logic "1" input bias current	I_{IN+}	$V_{IN}=5V$	-	50	90	μA
Logic "0" input bias current	I_{IN-}	$V_{IN}=0V$	-	1.0	2.0	
Output high short circuit pulse current	I_{O+}	$V_{HO}=0V$, $V_{IN}=5V$, $PW \leq 10\mu s$	200	250	-	mA
Output low short circuit pulsed current	I_{O-}	$V_{HO}=15V$, $V_{IN}=0V$, $PW \leq 10\mu s$	400	500	-	
Allowable negative VS pin voltage for IN signal propagation to HO	VS	-	-	-9.8	-7	V

Dynamic Electrical Characteristics

($V_{BIAS}(V_{CC}, V_{BS}) = 15.0V$, $V_S=GND$, $C_L=1000pF$ and $T_A = 25^\circ C$, unless otherwise specified.

Parameter	Symbol	Conditions	Min.	Typ.	Max.	Unit
Turn-on propagation delay	t_{on}	$V_S=0V$	-	120	200	ns
Turn-off propagation delay	t_{off}	$V_S=0V$ or $600V$	-	90	180	
Turn-on rise time	t_r	-	-	70	160	
Turn-off fall time	t_f	-	-	30	100	

Typical Characteristics

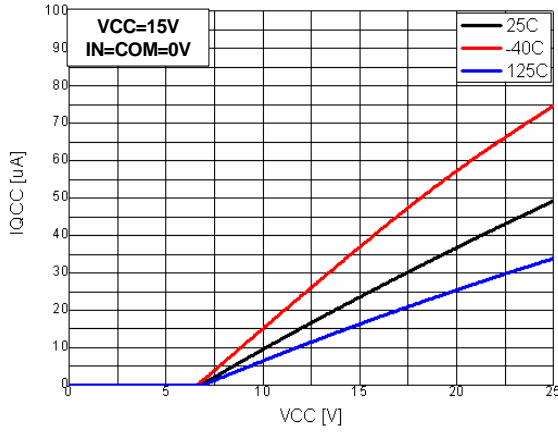


Fig. 1 IQCC vs. Supply Voltage

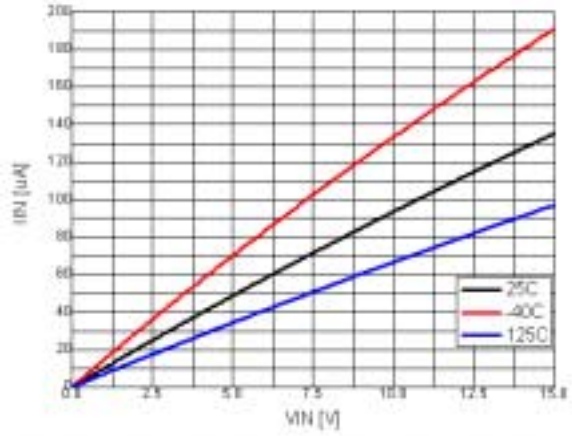


Fig. 2 Input Bias Current vs. Supply Voltage

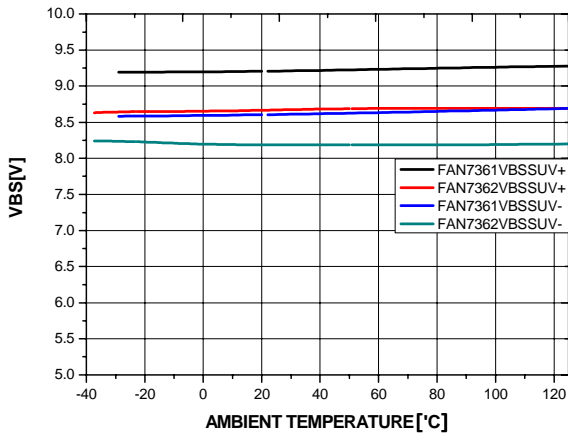


Fig. 3 VBS UVLO vs. Temperature

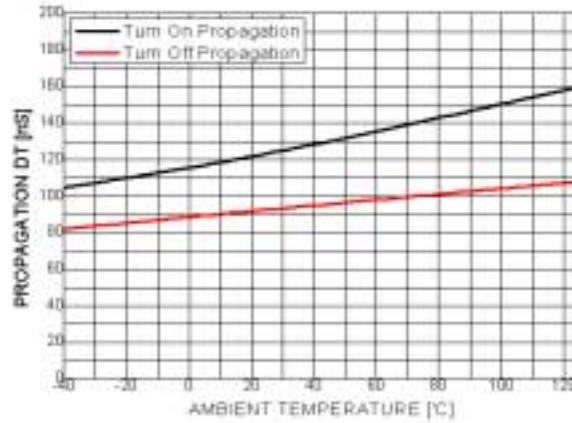


Fig. 4 Turn On/Off Propagation Time vs. Temperature

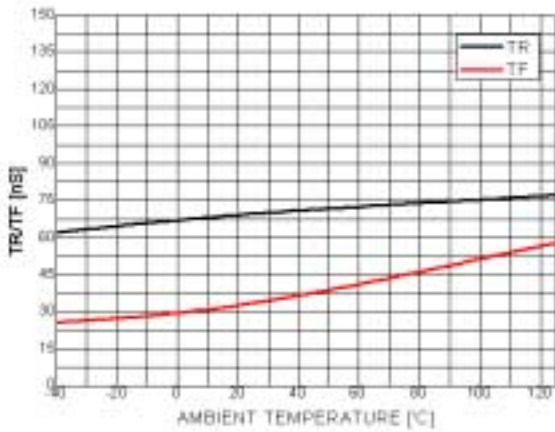


Fig. 5 Rising/Falling Time vs. Temperature

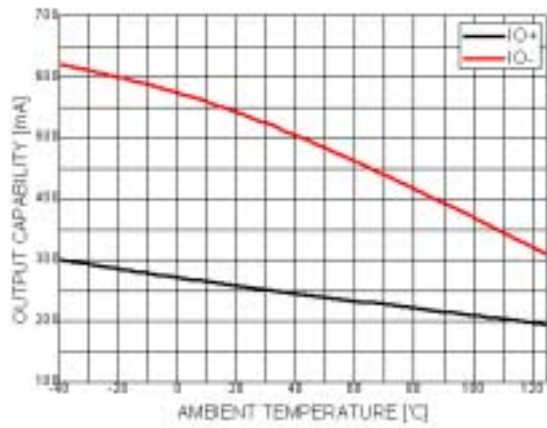


Fig. 6 Output Sinking/Sourcing Current vs. Temperature

Switching Time Definitions

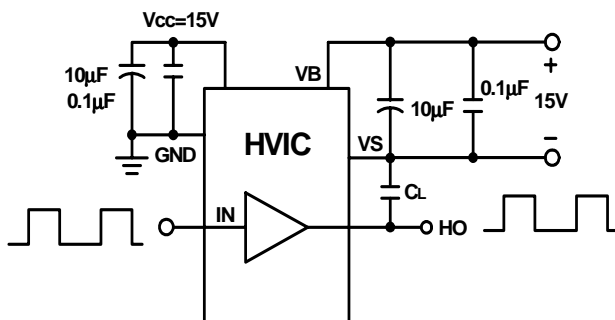


Fig. 7 Switching Time Test Circuit

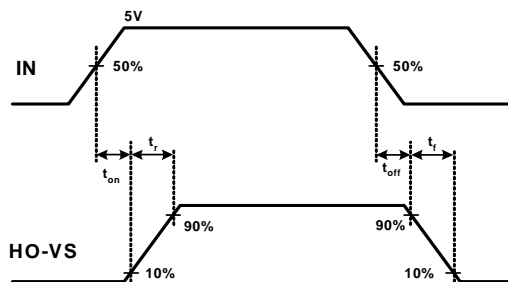
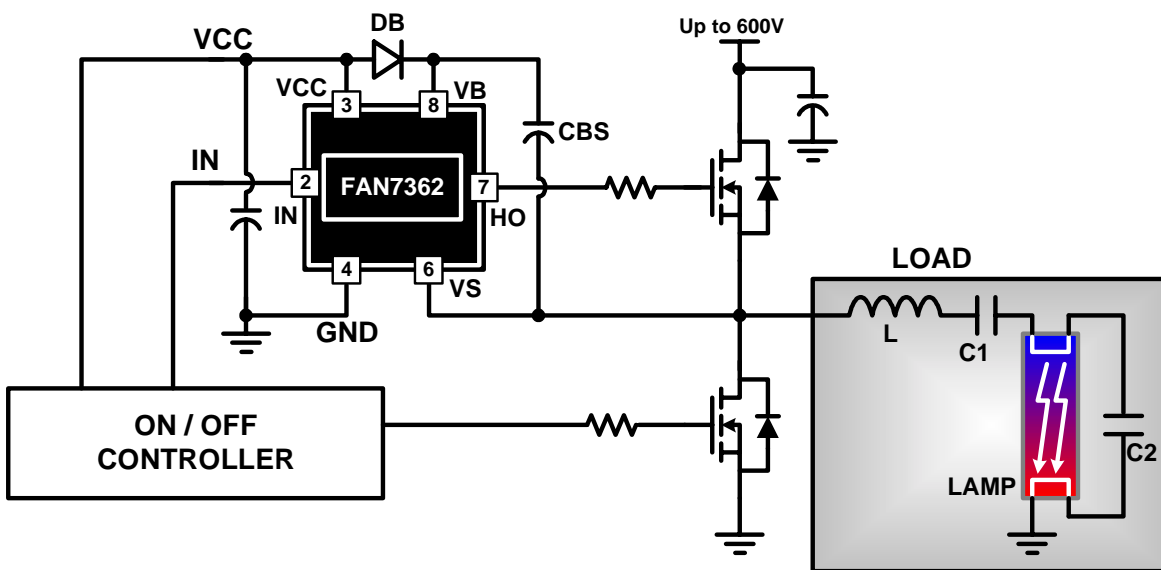


Fig. 8 Input/Output Timing Diagram

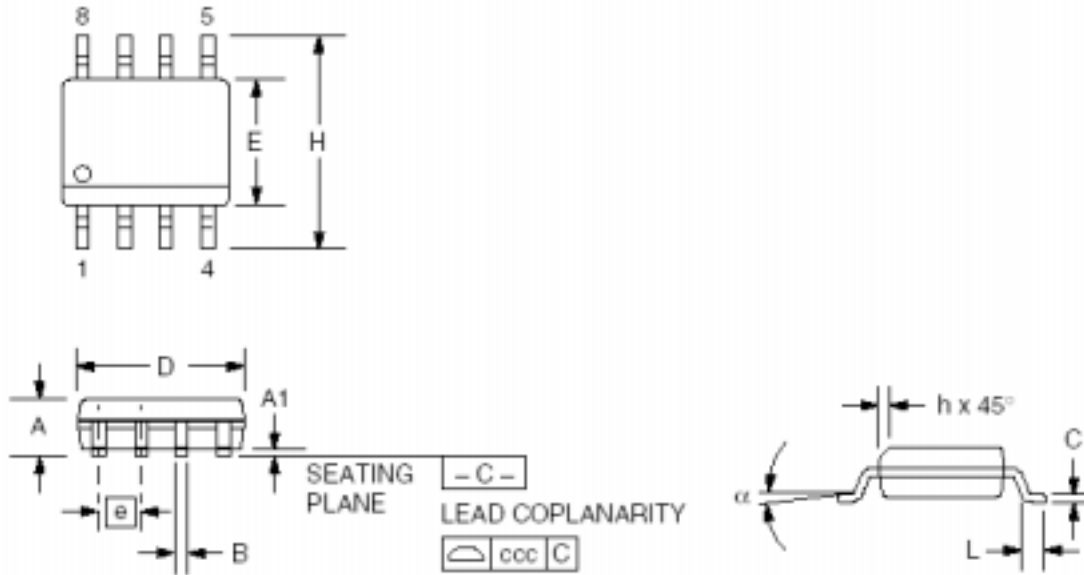
Typical Application Circuit



Mechanical Dimensions

Package

8SOP



Symbol	Inches		Millimeters		Notes
	Min.	Max.	Min.	Max.	
A	.053	.069	1.35	1.75	
A1	.004	.010	0.10	0.25	
B	.013	.020	0.33	0.51	
C	.0075	.010	0.20	0.25	5
D	.189	.197	4.80	5.00	2
E	.150	.158	3.81	4.01	2
e	.050 BSC		1.27 BSC		
H	.228	.244	5.79	6.20	
h	.010	.020	0.25	0.50	
L	.016	.050	0.40	1.27	3
N	8		8		6
α	0°	8°	0°	8°	
ccc	—	.004	—	0.10	

Notes:

1. Dimensioning and tolerancing per ANSI Y14.5M-1982.
2. "D" and "E" do not include mold flash. Mold flash or protrusions shall not exceed .010 inch (0.25mm).
3. "L" is the length of terminal for soldering to a substrate.
4. Terminal numbers are shown for reference only.
5. "C" dimension does not include solder finish thickness.
6. Symbol "N" is the maximum number of terminals.

Ordering Information

Device	Package	Operating Temperature	Packing
FAN7361M	8SOIC	-40°C ~ +125°C	Tube
FAN7361MX			Tape & Reel
FAN7362M			Tube
FAN7362MX			Tape & Reel

TRADEMARKS

The following are registered and unregistered trademarks Fairchild Semiconductor owns or is authorized to use and is not intended to be an exhaustive list of all such trademarks.

ACE ^x TM	FACT Quiet Series TM	ISOPLANAR TM	POP TM	SuperFET TM
ActiveArray TM	FAST [®]	LittleFET TM	Power247 TM	SuperSOT TM -3
Bottomless TM	FAST ^r TM	MICROCOUPLER TM	PowerTrench [®]	SuperSOT TM -6
CoolFET TM	FP TM	MicroFET TM	QFET [®]	SuperSOT TM -8
CROSSVOLT TM	FRFET TM	MicroPak TM	Q ^{STM}	SyncFET TM
DO ^{ME} TM	GlobalOptoisolator TM	MICROWIRE TM	QT Optoelectronics TM	TinyLogic [®]
EcoSPARK TM	GTO TM	MSX TM	Quiet Series TM	TINYOPTO TM
E ² CMOS TM	HiSeC TM	MSXPro TM	RapidConfigure TM	TruTranslation TM
EnSigna TM	I ² C TM	OCX TM	RapidConnect TM	UHC TM
FACT TM	ImpliedDisconnect TM	OCXPro TM	SILENT SWITCHER [®]	UltraFET [®]
Across the board. Around the world. TM		OPTOLOGIC [®]	SMART START TM	VCX TM
The Power Franchise TM		OPTOPLANAR TM	SPM TM	
Programmable Active Droop TM		PACMAN TM	Stealth TM	

DISCLAIMER

FAIRCHILD SEMICONDUCTOR RESERVES THE RIGHT TO MAKE CHANGES WITHOUT FURTHER NOTICE TO ANY PRODUCTS HEREIN TO IMPROVE RELIABILITY, FUNCTION OR DESIGN. FAIRCHILD DOES NOT ASSUME ANY LIABILITY ARISING OUT OF THE APPLICATION OR USE OF ANY PRODUCT OR CIRCUIT DESCRIBED HEREIN; NEITHER DOES IT CONVEY ANY LICENSE UNDER ITS PATENT RIGHTS, NOR THE RIGHTS OF OTHERS.

LIFE SUPPORT POLICY

FAIRCHILD'S PRODUCTS ARE NOT AUTHORIZED FOR USE AS CRITICAL COMPONENTS IN LIFE SUPPORT DEVICES OR SYSTEMS WITHOUT THE EXPRESS WRITTEN APPROVAL OF FAIRCHILD SEMICONDUCTOR CORPORATION. As used herein:

1. Life support devices or systems are devices or systems which, (a) are intended for surgical implant into the body, or (b) support or sustain life, or (c) whose failure to perform when properly used in accordance with instructions for use provided in the labeling, can be reasonably expected to result in significant injury to the user.
2. A critical component is any component of a life support device or system whose failure to perform can be reasonably expected to cause the failure of the life support device or system, or to affect its safety or effectiveness.

PRODUCT STATUS DEFINITIONS

Definition of Terms

Datasheet Identification	Product Status	Definition
Advance Information	Formative or In Design	This datasheet contains the design specifications for product development. Specifications may change in any manner without notice.
Preliminary	First Production	This datasheet contains preliminary data, and supplementary data will be published at a later date. Fairchild Semiconductor reserves the right to make changes at any time without notice in order to improve design.
No Identification Needed	Full Production	This datasheet contains final specifications. Fairchild Semiconductor reserves the right to make changes at any time without notice in order to improve design.
Obsolete	Not In Production	This datasheet contains specifications on a product that has been discontinued by Fairchild semiconductor. The datasheet is printed for reference information only.

Rev. 17