

TDA 6190
DVB-IF Mixer



Wireless Components



Never stop thinking.

Edition 2004-05-17

**Published by Infineon Technologies AG,
St.-Martin-Strasse 53,
D-81541 München, Germany**

**© Infineon Technologies AG 5/17/04.
All Rights Reserved.**

Attention please!

The information herein is given to describe certain components and shall not be considered as warranted characteristics.

Terms of delivery and rights to technical change reserved.

We hereby disclaim any and all warranties, including but not limited to warranties of non-infringement, regarding circuits, descriptions and charts stated herein.

Infineon Technologies is an approved CECC manufacturer.

Information

For further information on technology, delivery terms and conditions and prices please contact your nearest Infineon Technologies Office in Germany or our Infineon Technologies Representatives worldwide (see address list).

Warnings

Due to technical requirements components may contain dangerous substances. For information on the types in question please contact your nearest Infineon Technologies Office.

Infineon Technologies Components may only be used in life-support devices or systems with the express written approval of Infineon Technologies, if a failure of such components can reasonably be expected to cause the failure of that life-support device or system, or to affect the safety or effectiveness of that device or system. Life support devices or systems are intended to be implanted in the human body, or to support and/or maintain and sustain and/or protect human life. If they fail, it is reasonable to assume that the health of the user or other persons may be endangered.

TDA 6190

DVB-IF Mixer

Wireless Components



Never stop thinking.

Specification

Revision History: 2004-05-17

TDA 6190

Previous Version: Specification Version 1.3, 2002-06-10

Page (in prev. version)	Page (in current version)	Subjects (major changes since last revision)
		TDA 6190X and TDA 6190S removed (all pages):
5	5	Product Info and Features adapted.
7	7	Overview and Features adapted
10	10	Pin 8 adapted
12	12	AGC description adapted
13	13	2.5.2 adapted
15	15	TDA 6190T and Ordering Code adapted
16, 17	16, 17	TDA 6190T only
19	19	“This value is guaranteed by design” replaced with “This value is not subject to production test - verified by design/ characterisation”
21	21	input levels only for TDA 6190T
23	23	Static, Dynamic Characteristics for TDA 6190T only “This value is guaranteed by design” replaced with “This value is not subject to production test - verified by design/ characterisation”
24	24	TDA 6190T only
25	25	conversion gain for Evaluation Board, single ended
28	28	Intermodulation measurement result added
29	29	TDA 6190T only
30	30	frequency response adapted

For questions on technology, delivery and prices please contact the Infineon Technologies Offices in Germany or the Infineon Technologies Companies and Representatives worldwide: see our webpage at <http://www.infineon.com>

ABM[®], AOP[®], ARCOFI[®], ARCOFI[®]-BA, ARCOFI[®]-SP, DigiTape[®], EPIC[®]-1, EPIC[®]-S, ELIC[®], FALC[®]54, FALC[®]56, FALC[®]-E1, FALC[®]-LH, IDEC[®], IOM[®], IOM[®]-1, IOM[®]-2, IPAT[®]-2, ISAC[®]-P, ISAC[®]-S, ISAC[®]-S TE, ISAC[®]-P TE, ITAC[®], IWE[®], MUSAC[®]-A, OCTAT[®]-P, QUAT[®]-S, SICAT[®], SICOFI[®], SICOFI[®]-2, SICOFI[®]-4, SICOFI[®]-4 μ C, SLICOFI[®] are registered trademarks of Infineon Technologies AG.

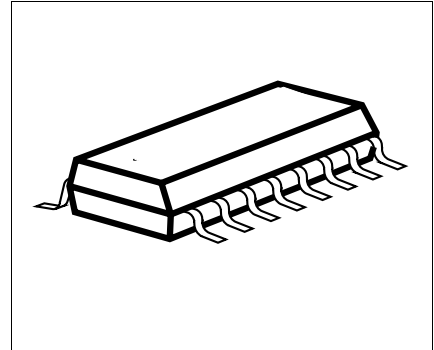
ACE[™], ASM[™], ASP[™], POTSWIRE[™], QuadFALC[™], SCOUT[™] are trademarks of Infineon Technologies AG.

Controller Area Network (CAN): License of Robert Bosch GmbH

Product Info

General Description

The TDA 6190T is a bipolar integrated circuit for amplification and down conversion of modulated IF signals used for DVB on cable or for terrestrial transmission.



Features

- Input frequency range of 30 to 70 MHz
- External gain control for integrated variable gain amplifier
- Output for adjustable delayed tuner AGC
- Integrated low noise VCO circuitry with external varactor diode or crystal
- Broadband outputs for the down converted IF signal
- Internal low noise reference voltage source
- Full ESD protection

Application

- For use in TV or cable set-top receivers for Digital Video Broadcast.

Type	Ordering Code	Package
TDA 6190T	Q67036-A1073 (tape and reel)	P-DSO-16

Table of Contents

	page
1	Product Description 7
1.1	Overview 7
1.2	Features 7
1.3	Application 7
1.4	Package Outlines 8
2	Functional Description 9
2.1	Pin Configuration 9
2.2	Pin Definitions and Functions 10
2.3	Equivalent I/O Schematic 11
2.4	Functional Block Diagram 12
2.5	Functional Block Description 13
2.5.1	Power Supply, Reference Voltage 13
2.5.2	DVB-IF Input Amplifier, AGC 13
2.5.3	Oscillator 13
2.5.4	Mixer and Output Buffers 13
3	Application 14
3.1	Evaluation Board Layout 14
3.2	Bill of material 15
3.3	Application Circuit 1 (Evaluation Board) 16
3.4	Application Circuit 2 17
4	Reference 18
4.1	Electrical Data 18
4.1.1	Absolute Maximum Ratings 18
4.1.2	Operating Range 19
4.1.3	AC/DC Characteristics 20
4.2	Test Circuit 24
4.3	Typical Characteristics 25
4.4	Evaluation Circuit for frequency response 29

1 Product Description

1.1 Overview

The TDA 6190T is a bipolar integrated circuit for amplification and down conversion of modulated IF signals used for DVB on cable or for terrestrial transmission.

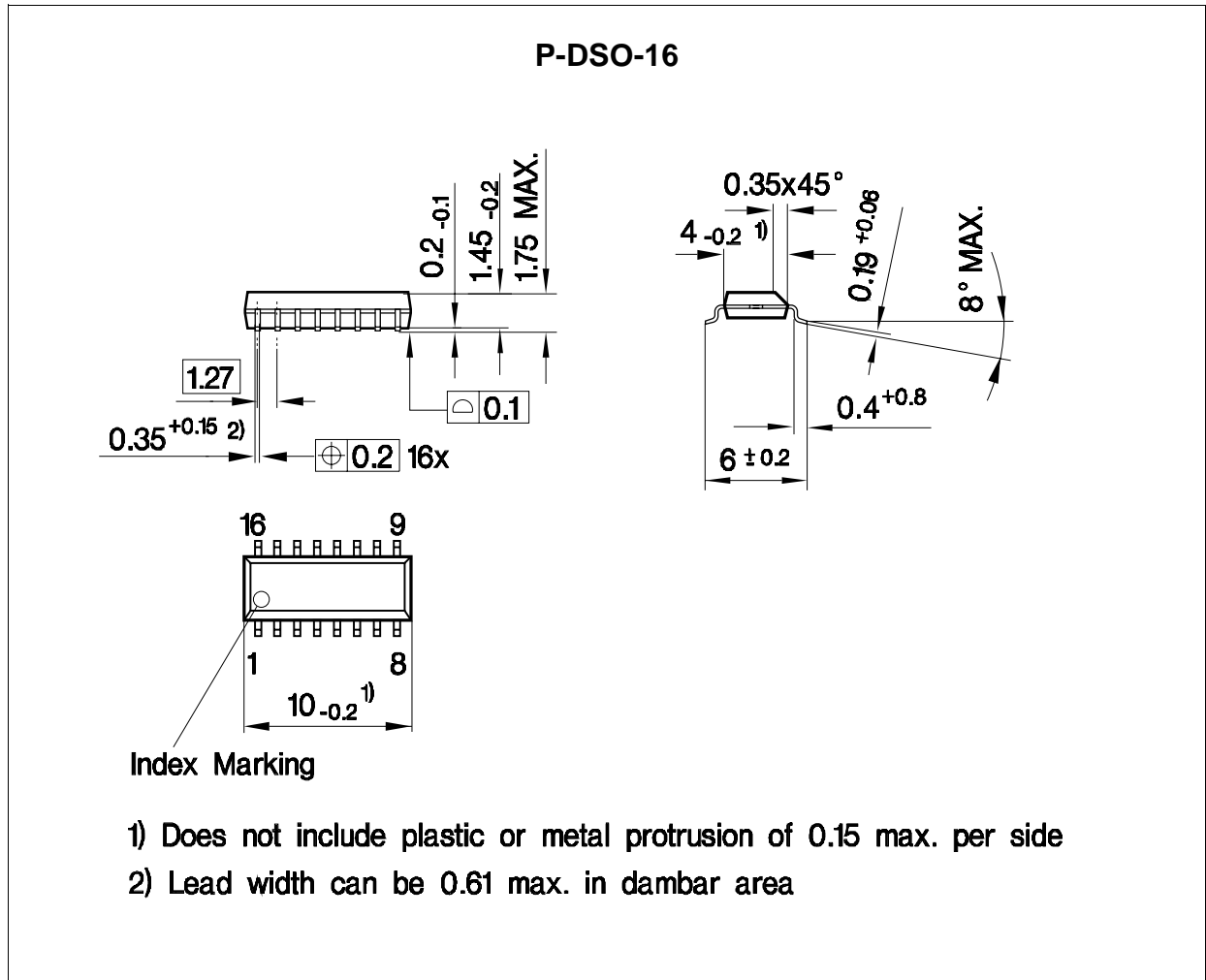
1.2 Features

- Input frequency range of 30 to 70 MHz
- External gain control for integrated variable gain amplifier
- Output for adjustable delayed tuner AGC
- Integrated low noise VCO circuitry with external varactor diode or crystal
- Broadband outputs for the down converted IF signal
- Internal low noise reference voltage source
- Full ESD protection

1.3 Application

- For use in TV or cable set-top receivers for Digital Video Broadcast.

1.4 Package Outlines

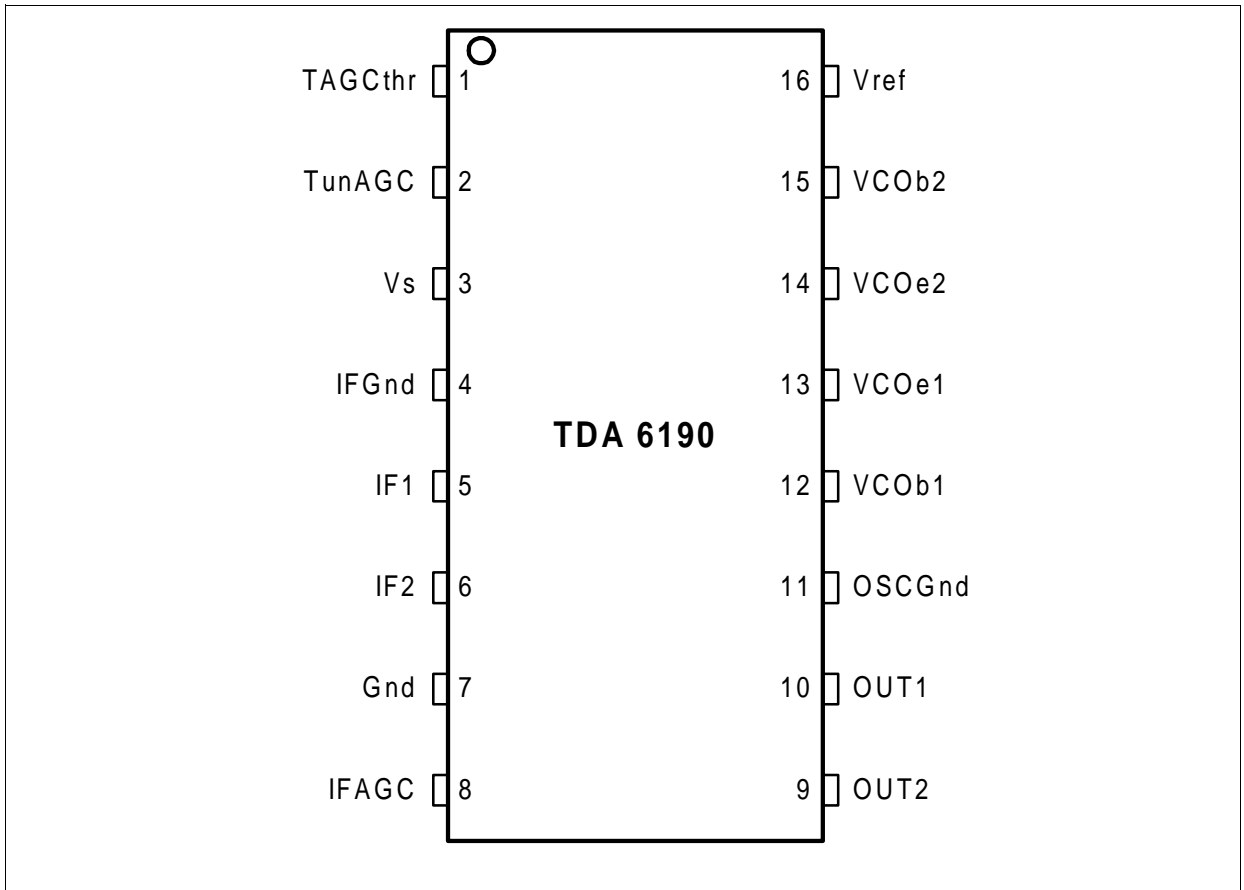


P-DSO_16.eps

Figure 1-1 Package Outline P-DSO-16

2 Functional Description

2.1 Pin Configuration



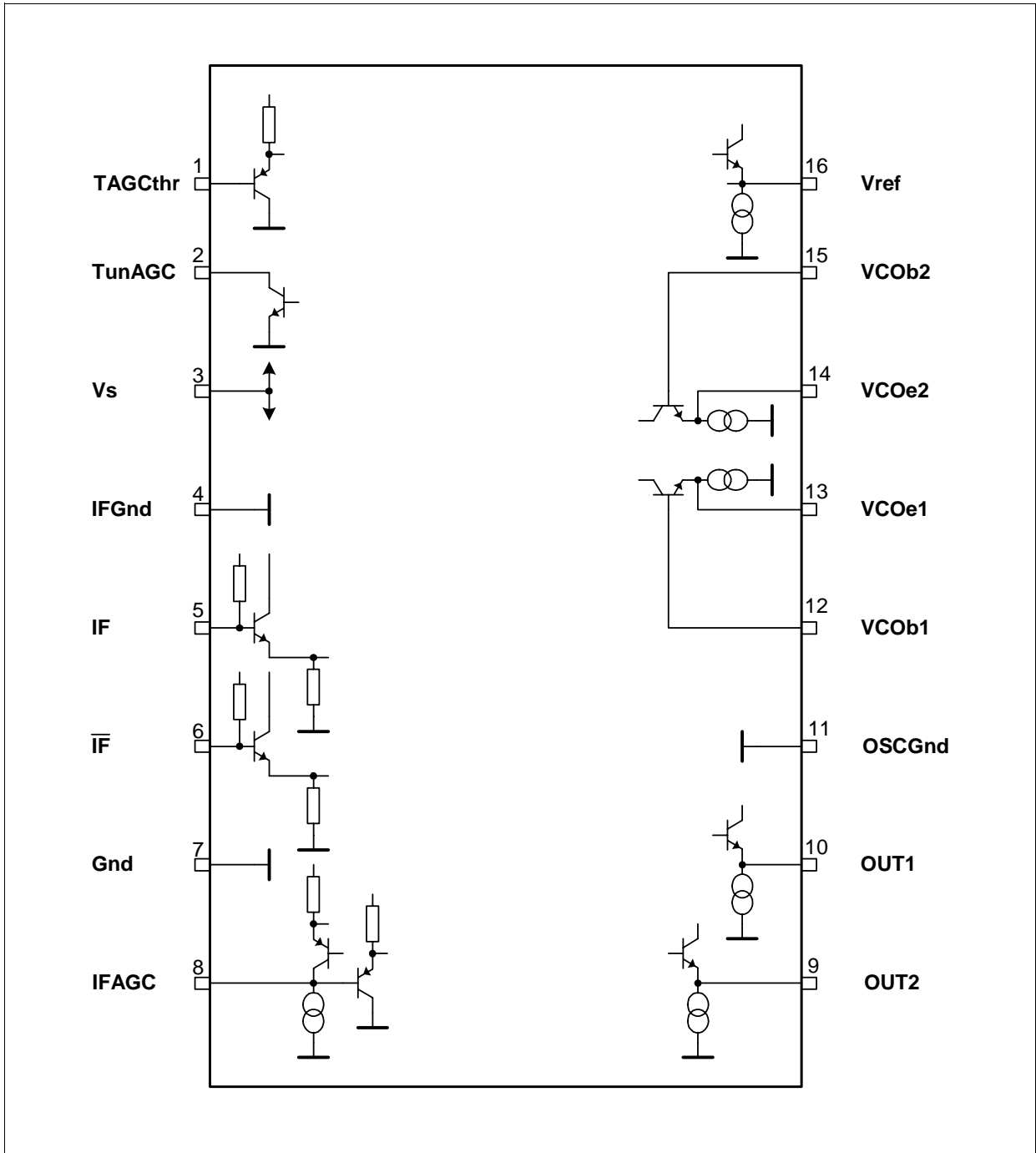
Pin_config.wmf

Figure 2-1 Pin Configuration

2.2 Pin Definitions and Functions

Table 2-1 Pin Definition and Function			
Pin No.	Symbol	Equivalent I/O-Schematic	Function
1	TAGCthr		Tuner AGC threshold; delayed tuner AGC adjust input; if not required, connect to reference voltage Vref
2	TunAGC		Delayed tuner AGC output; open npn transistor collector
3	Vs		Supply voltage
4	IFGnd		IF input ground
5	IF1		IF input IF1; balanced to IF2
6	IF2		IF input IF2; balanced to IF1
7	Gnd		Ground
8	IFAGC		IF amplifier gain control input pin, low voltage corresponds to maximum gain
9	OUT2		buffered mixer output OUT2; balanced to OUT1
10	OUT1		buffered mixer output OUT1; balanced to OUT2
11	OSCGnd		Oscillator Ground
12	VCOb1		VCO base 1; balanced to VCOb2
13	VCOe1		VCO emitter 1; balanced to VCOe2
14	VCOe2		VCO emitter 2; balanced to VCOe1
15	VCOb2		VCO base 2; balanced to VCOb1
16	Vref		Reference voltage

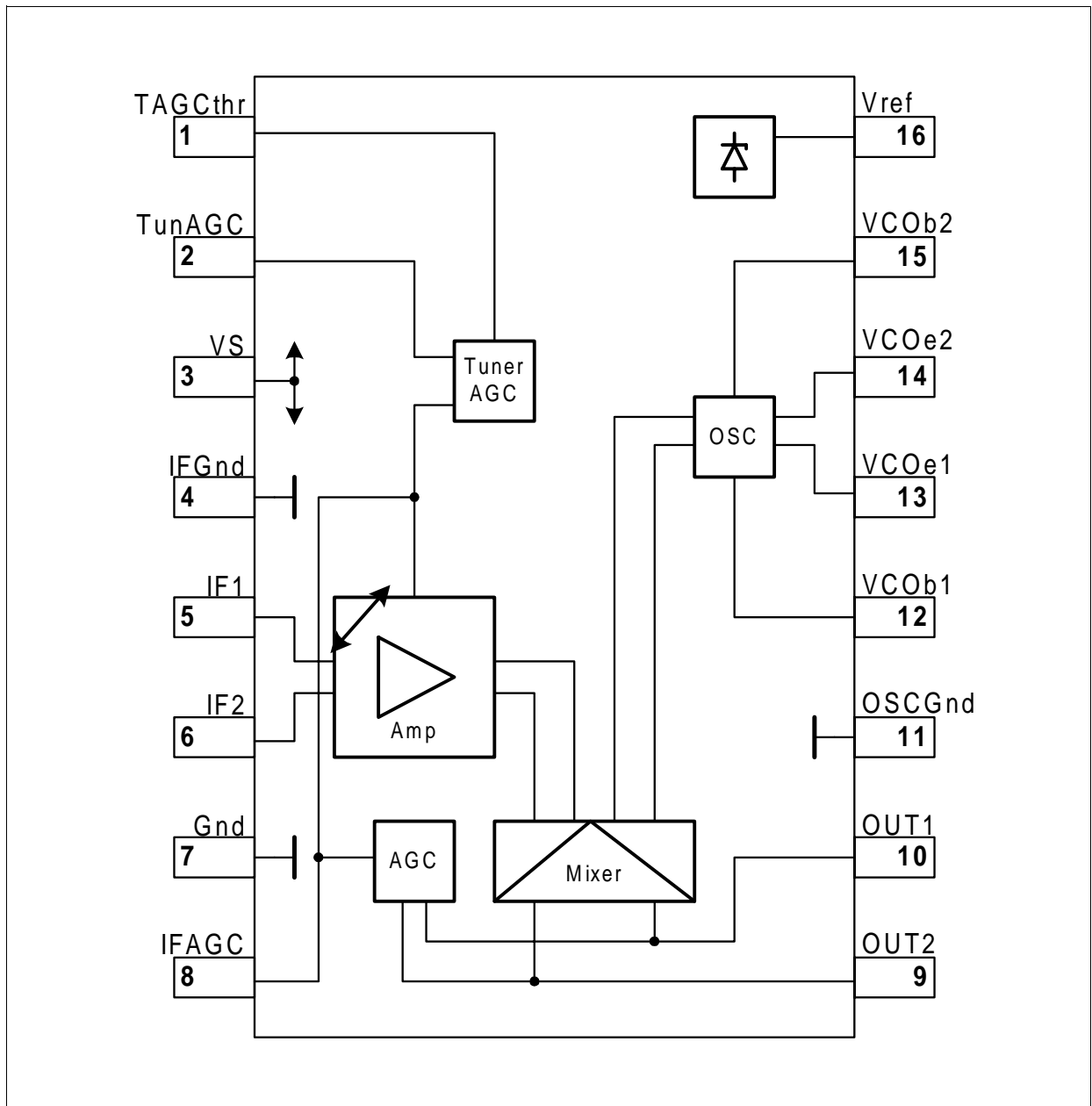
2.3 Equivalent I/O Schematic



L_O_Schematic.wmf

Figure 2-2 Equivalent I/O Schematic

2.4 Functional Block Diagram



Block_diag.wmf

Figure 2-3 Block Diagram

TDA 6190T: AGC is disabled, external gain control voltage to Pin 8

2.5 Functional Block Description

2.5.1 Power Supply, Reference Voltage

The 3.6 V low noise reference voltage V_{ref} is used as a reference for the adjustment of the delayed tuner AGC. The reference voltage has a low temperature coefficient and high line regulation.

2.5.2 DVB-IF Input Amplifier, AGC

The filtered IF signal is fed to the balanced input pins IF1 / IF2 of the gain controlled amplifier, where it is amplified and then down converted to the output frequency signals.

The control voltage for the gain-controlled amplifier at pin IFAGC is applied from external source.

If the IFAGC control voltage level exceeds an adjustable value ($TAGC_{thr}$), a sink current at TunAGC is generated which controls the tuner gain.

2.5.3 Oscillator

The symmetrical 4 pin voltage controlled oscillator feeds the mixer to generate the down converted DVB-IF signals. The frequency of the VCO is below or above the input frequency of the AGC amplifier. The control voltage for the external varactor diode is derived from the DVB processor.

2.5.4 Mixer and Output Buffers

The mixer converts the filtered and amplified IF signal down to the low IF frequency. This frequency is fed to a balanced output pair OUT1 and OUT2.

3.2 Bill of material

Table 3-1 Bill of material for Application Circuit 1

Component	Type / Value	Material / Raster	Outline / Case	Supplier	Ordering Code Nr.
R01	10k		0805	S&M	
R02	10k		0805	S&M	
R03	10k		0805	S&M	
C01	100n	X7R	0805	S&M	
C02	100n	X7R	0805	S&M	
C03	100n	X7R	0805	S&M	
C04	100n	X7R	0805	S&M	
C05	100n	X7R	0805	S&M	
C06	39p	COG	0805	S&M	
C07	120p	COG	0805	S&M	
C08	39p	COG	0805	S&M	
C09	1n	X7R	0805	S&M	
C10	1n	X7R	0805	S&M	
C11	1 μ F	5mm	MKT	S&M	
C12	100p	COG	0805	S&M	
C13	4n7	X7R	0805	S&M	
Tr01	10k		Potentiom.		
Tr02	10k		Potentiom.		
SAW01	X6966M		SAW Filter	S&M	
D01	BB814		Var. Diode		
L01	330nH		Filter adjust.	TOKO	T1369Z
IC01	TDA6190T		P-DSO-16-1	Infineon	Q67036-A1073

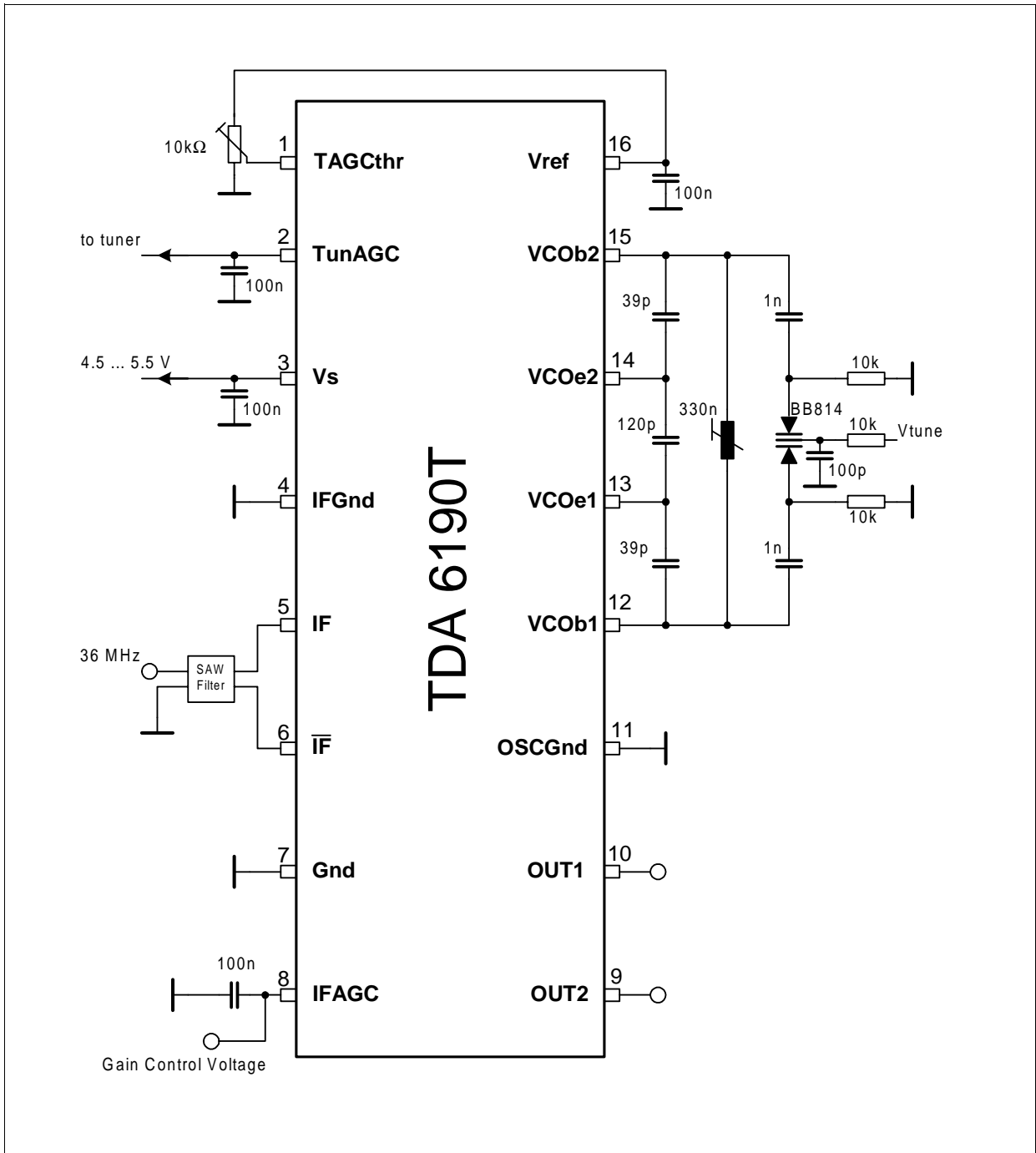
Mechanical Parts

1 x PCB

8 x Soldering Pin 1 mm (Stocko)

1 x BNC-Jack (PCB Mounting)

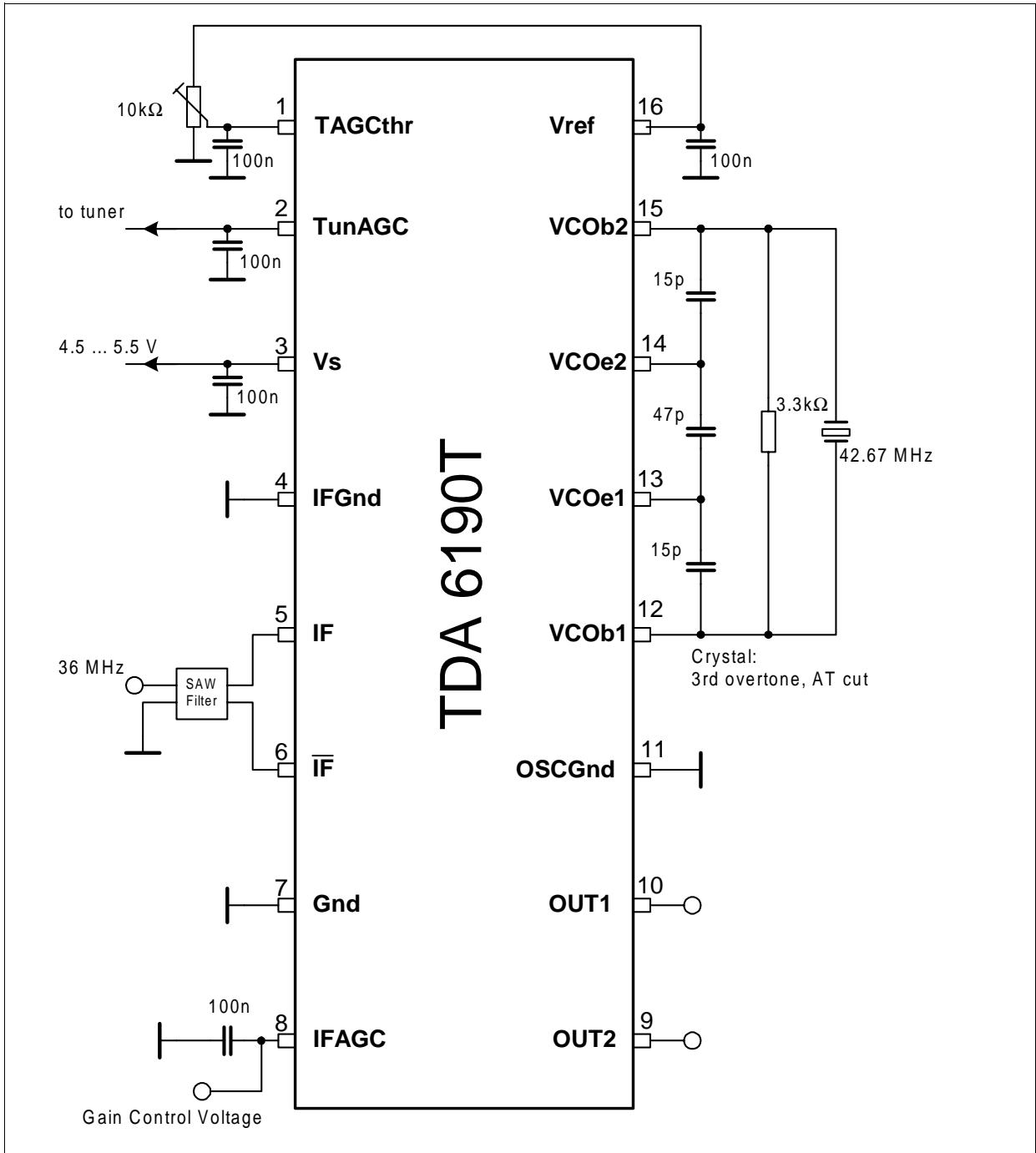
3.3 Application Circuit 1 (Evaluation Board)



Application_1.wmf

Figure 3-2 Application Circuit 1 (Evaluation Board)

3.4 Application Circuit 2



Application_2.wmf

Figure 3-3 Application Circuit 2

4 Reference

4.1 Electrical Data

4.1.1 Absolute Maximum Ratings



WARNING

The maximum ratings may not be exceeded under any circumstances, not even momentarily and individually, as permanent damage to the IC will result.

Ambient Temperature under bias: $T_A = -40$ to $+85^\circ\text{C}$

Table 4-1 Absolute Maximum Ratings

#	Parameter	Symbol	Limit Values		Unit	Remarks
			min	max		
1	Reference current	I_{Vref}	-10	1	mA	
2	Tuner AGC output	V_{TunAGC}	-0.3	13,2	V	
3	IFAGC	V_{IFAGC}	-0.3	Vref	V	
4	IF input	$V_{IF1/IF2}$	-0.3	4	V	
5	Supply voltage	V_{Vs}	-0.3	6	V	
6	Mixer outputs	$I_{OUT1/OUT2}$	-5	1	mA	
7	VCO	V_{VCO}	-0.3	4	V	
8	VCO	I_{VCO}	-3		mA	
9	Tuner AGC threshold	$V_{TAGCthr}$	-0.3	Vref	V	
10	Junction temperature	T_j		125	$^\circ\text{C}$	
11	Storage temperature	T_{stg}	-40	125	$^\circ\text{C}$	
12	Thermal resistance	$R_{th SA}$		110	K/W	
13	ESD protection *)	V_{ESD}	-4	+4	kV	HBM

*) according to MIL STD 883D, method 3015.7 and EOS/ESD assn. standard S5.1 - 1993

All values are referred to Ground (pin), unless stated otherwise.

All ground pins must be connected externally.

All currents flowing into the IC are positive, out of the IC are negative.

4.1.2 Operating Range

#	Parameter	Symbol	Limit Values		Unit	Test Conditions	■	Item
			min	max				
1	Supply voltage	V_{Vs}	4.5	5.5	V			
2	Input frequency range of IF Amplifier (-3 dB)	$f_{IF1/IF2}$	30	70	MHz			
3	Mixer output bandwidth (-1 dB)	$B_{OUT1/OUT2}$	11		MHz			
	VCO frequency range	f_{VCO}	25	80	MHz	depends on application		
	Ambient temperature	T_A	-40	85	°C			

■ This value is not subject to production test - verified by design/characterisation.

4.1.3 AC/DC Characteristics

Table 4-3 AC/DC Characteristics with $T_A = 25\text{ }^\circ\text{C}$, $V_S = 5\text{ V}$

#	Parameter	Symbol	Limit Values			Unit	Test Conditions	Item
			min	typ	max			

1. Power Supply, Reference Voltage

Current consumption V_S	I_{V_S}	35	50	65	mA		
Reference voltage V_{ref}	$V_{V_{ref}}$	3.3	3.6	3.8	V		
V_{ref} line regulation	$\Delta V_{refLine}$			30	mV	$V_{V_S} = 4.5\text{ to }5.5\text{ V}$	
V_{ref} load regulation	$\Delta V_{refLoad}$			30	mV	$I_{V_{ref}} = -0.5\text{ to }0.5\text{ mA}$	
V_{ref} vs temperature	$\Delta V_{refTemp}$	-30	10	30	mV	$T_A = 0\text{ to }70\text{ }^\circ\text{C}$	

2. DVB-IF Input Amplifier, AGC

Static Characteristics

IF input voltage	$V_{IF1/IF2}$	3.2	3.6	3.9	V		
IFAGC voltage ($AGC_{min} = gain_{max}$)	$V_{IFAGCgmax}$	0		0.5	V		
IFAGC voltage ($AGC_{max} = gain_{min}$)	$V_{IFAGCgmin}$	2.5		3.9	V		
Tuner AGC threshold active	$V_{TAGCthr}$	0		2.0	V		
Tuner AGC threshold disable	$V_{TAGCthrdis}$	3.0		V_{V_S}	V		
Tuner AGC threshold current	$I_{TAGCthr}$	-1		1	μA	$V_{TAGCthr} = 0\text{ V}$	
Tuner AGC output current	$I_{TunAGCon}$	2.5	3.5	5	mA	$V_{TunAGC} = 0.5\text{ V}; V_{IFAGC} = 1.5\text{ V}; V_{TAGCthr} = 1\text{ V}$	
Tuner AGC output current	$I_{TunAGCoff}$	0		10	μA	$V_{TunAGC} = 13.2\text{ V}; V_{IFAGC} = 1.5\text{ V}; V_{TAGCthr} = 2\text{ V}$	

Table 4-3 AC/DC Characteristics with $T_A = 25\text{ }^\circ\text{C}$, $V_S = 5\text{ V}$ (cont'd)

#	Parameter	Symbol	Limit Values			Unit	Test Conditions	Item
			min	typ	max			
Dynamic Characteristics								
	Minimum IF input level (max. gain)	V_{\min} $IF1/IF2$	42	45	48	$\text{dB}\mu\text{V}$	$f_{IF1/IF2} = 36\text{ MHz (sine)}$; $V_{IFAGC} = 0.4\text{ V}$ $V_{OUT1} - V_{OUT2}$ set to $2 \times 1V_{pp}$	
	Maximum IF input level (min. gain)	V_{\max} $IF1/IF2$	90	93	96	$\text{dB}\mu\text{V}$	$f_{IF1/IF2} = 36\text{ MHz (sine)}$; $V_{IFAGC} = 2.4\text{ V}$ $V_{OUT1} - V_{OUT2}$ set to $2 \times 1V_{pp}$	
	Input impedance	$R_{IF1/IF2}$	1.5	2.0	2.5	$\text{k}\Omega$	balanced input	■
		$C_{IF1/IF2}$		1.5		pF		
	maximum slope of delayed tuner AGC	$\Delta I_{TunAGC} / \Delta V_{IFAGC}$	27	40	54	mA/V	$V_{IFAGC} = 1.8\text{ to }2.1\text{ V}$ $V_{TAGCthr} = 1.9\text{ V}$ $V_{TunAGC} = 0.5\text{ V}$	

Table 4-3 AC/DC Characteristics with $T_A = 25\text{ }^\circ\text{C}$, $V_S = 5\text{ V}$ (cont'd)

#	Parameter	Symbol	Limit Values			Unit	Test Conditions	Item
			min	typ	max			
3. Oscillator								
Static Characteristics								
	VCO voltage	$V_{VCOb1/}$ V_{VCOb2}	2.1	2.4	2.7	V		
Dynamic Characteristics								
	VCO input admittance ^a	$Y=G+jB$					VCO, 39/120/39pF	
	Real part	$G_{VCOb1/b2}$		-1.3		mS	$f_{VCO} = 25\text{ MHz}$	■
	Imag. part	$B_{VCOb1/b2}$		1.8		mS	$f_{VCO} = 25\text{ MHz}$	■
	Real part	$G_{VCOb1/b2}$		-1.9		mS	$f_{VCO} = 55\text{ MHz}$	■
	Imag. part	$B_{VCOb1/b2}$		5.8		mS	$f_{VCO} = 55\text{ MHz}$	■
	Oscillator level	$V_{VCOb1/b2}$		107		$\text{dB}\mu\text{V}$	$f_{VCO} = 43\text{ MHz}$	■
	Oscillator range	f_{VCO}	25		80	MHz	depends on application	■
	Oscillator frequency variation range	Δf_{VCO}	4	6		MHz	Application Circuit 1 $V_{\text{tune}} = 0.5\text{ to }3\text{ V}$	
	Oscillator phase noise @ 10 kHz	$\Delta\Phi_{VCO}$		-105		dBc/ Hz	Application Circuit 1 $f_{VCO} = 43\text{ MHz}$	■

Table 4-3 AC/DC Characteristics with $T_A = 25\text{ }^\circ\text{C}$, $V_S = 5\text{ V}$ (cont'd)

#	Parameter	Symbol	Limit Values			Unit	Test Conditions	Item
			min	typ	max			

4. Mixer, Output Buffers

Static Characteristics

Demodulator output DC level	$V_{OUT1}/$ $OUT2$	$V_{V_S} -$ 2.5	$V_{V_S} -$ 2.0	$V_{V_S} -$ 1.5	V		
Demodulator output sink current	$I_{OUT1}/$ $OUT2$	1.4	2.0	2.8	mA		

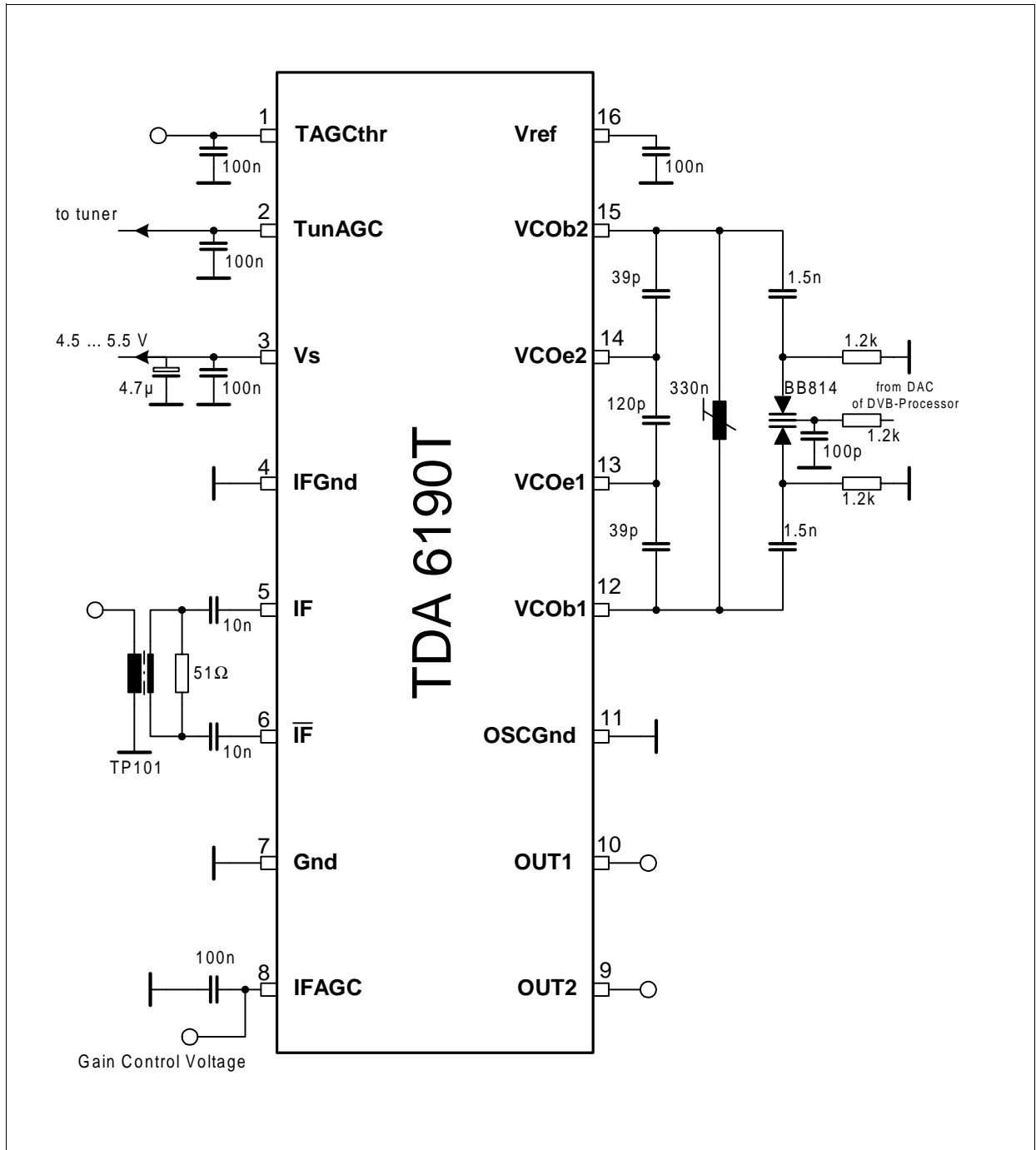
Dynamic Characteristics

output voltage $V_{OUT1}-V_{OUT2}$ set to $2 \times 1V_{pp}$

Mixer output bandwidth (-1 dB)	$B_{OUT1}/$ B_{OUT2}	11			MHz	$f_{VCO} = 43\text{ MHz};$ $R_L \geq 10\text{ k}\Omega; CL \leq 10\text{ pF};$ $V_{IF1/IF2} = 60\text{ dB}\mu\text{V}$	
Intermodulation	a_{IM}	45	48		dB	$f_{VCO} = 43\text{ MHz};$ $R_L \geq 10\text{ k}\Omega; CL \leq 10\text{ pF};$ $V_{f1} = V_{f2} = 60\text{ dB}\mu\text{V}$ $f_1\text{ IF1/IF2} = 37\text{ MHz};$ $f_2\text{ IF1/IF2} = 38\text{ MHz};$ OUT1/OUT2:balanced	
Harmonic distortion THD	THD		-60	-50	dB	$f_{VCO} = 43\text{ MHz};$ $R_L \geq 10\text{ k}\Omega; CL \leq 10\text{ pF};$ $V_{IF1/IF2} = 70\text{ dB}\mu\text{V}$ $f_{IF1/IF2} = 39.5\text{ MHz}$ OUT1/OUT2:balanced	
Buffer output impedance	R_{OUT1}		25	100	Ω	$f_{OUT1/OUT2} = 11\text{ MHz}$	
Buffer output impedance	R_{OUT2}		25	100	Ω	$f_{OUT1/OUT2} = 11\text{ MHz}$	

■ This value is not subject to production test - verified by design/characterisation.

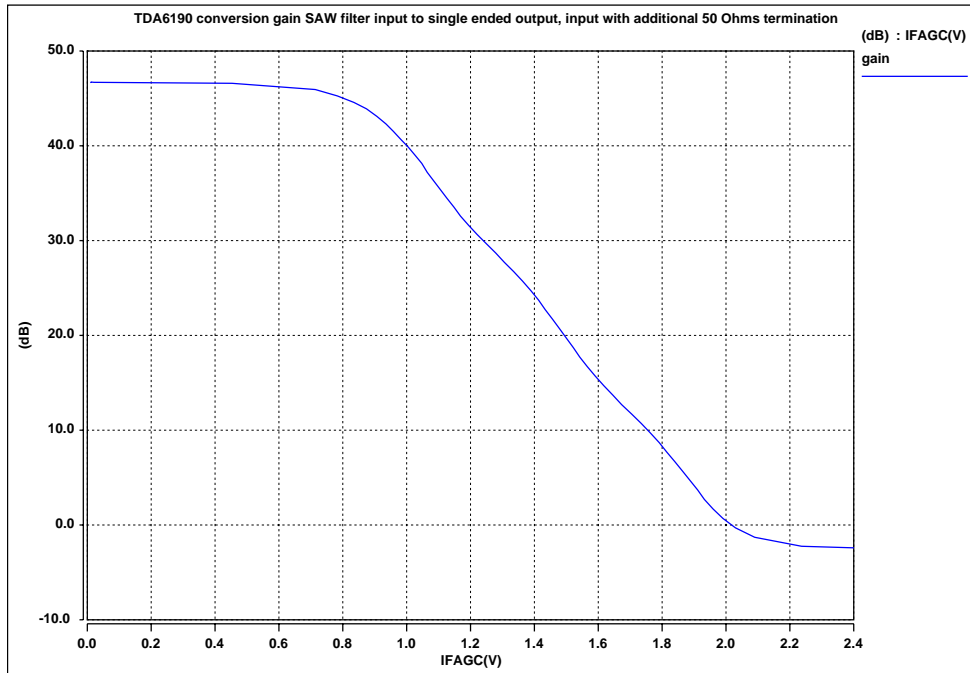
4.2 Test Circuit



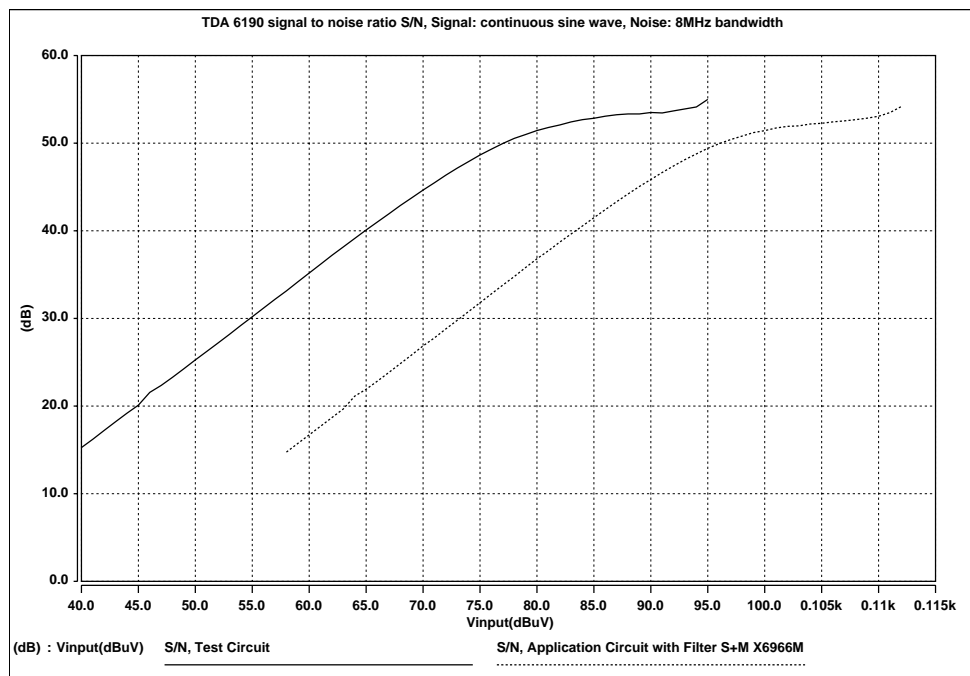
Test_circuit1.wmf

Figure 4-1 Test Circuit

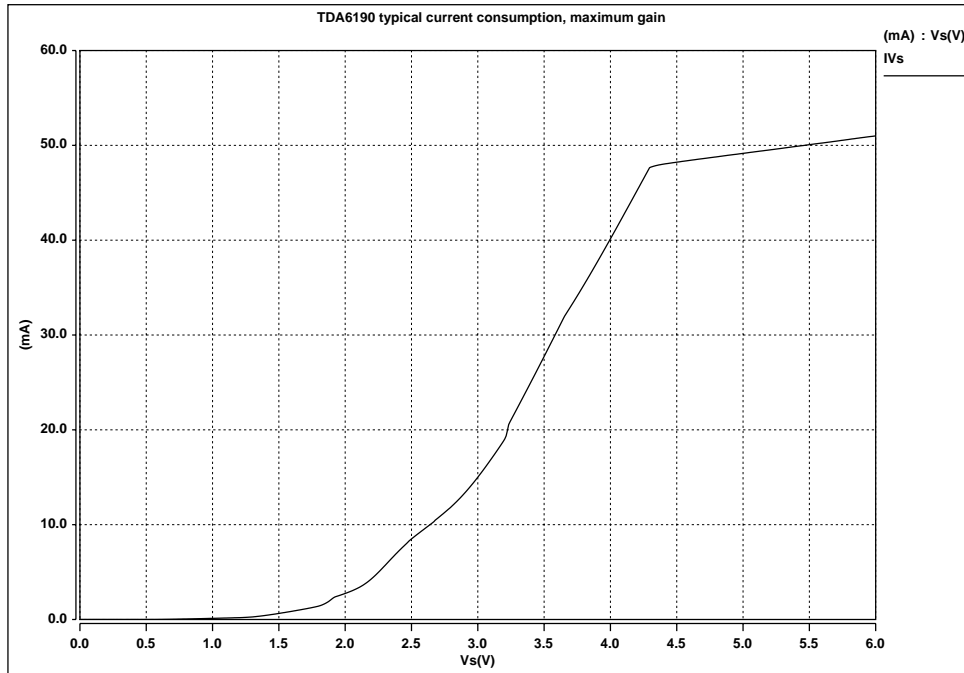
4.3 Typical Characteristics



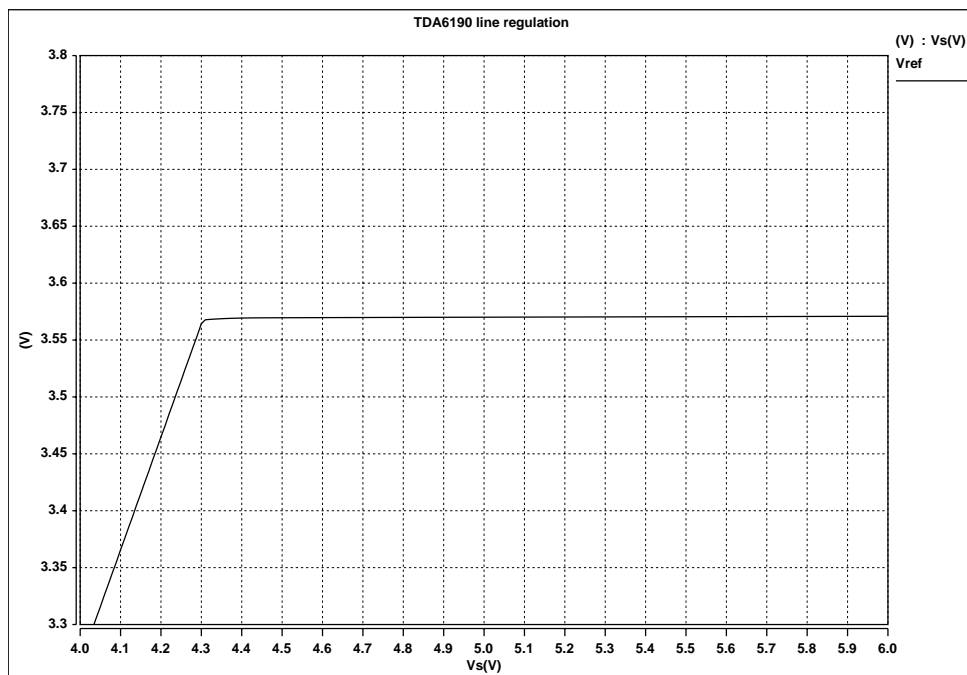
TDA6190_IFAGCgain_2.pdf



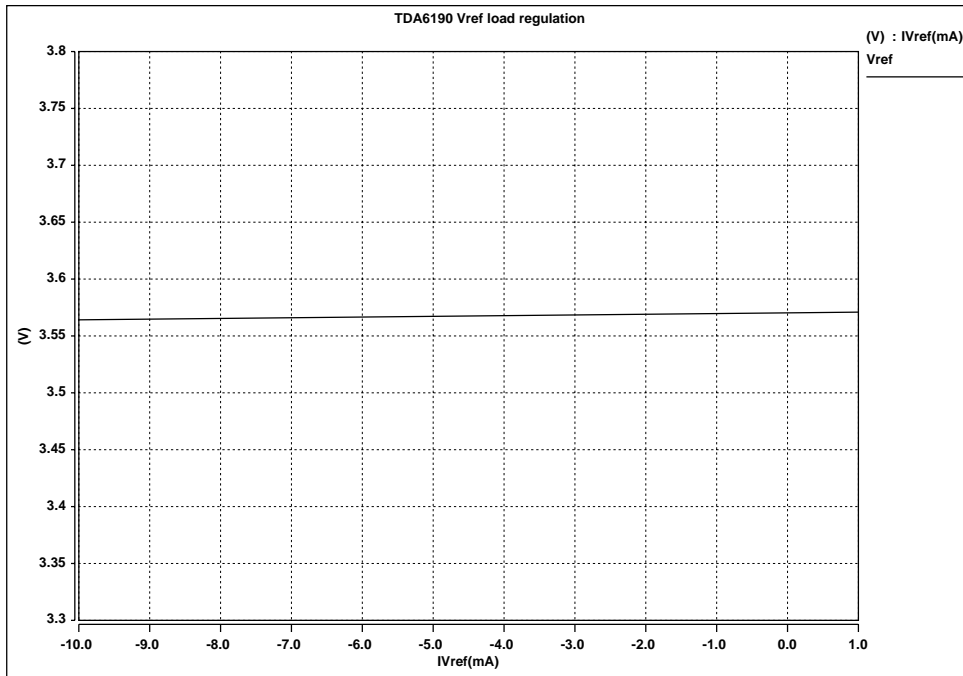
TDA6190XTS_S2N.pdf



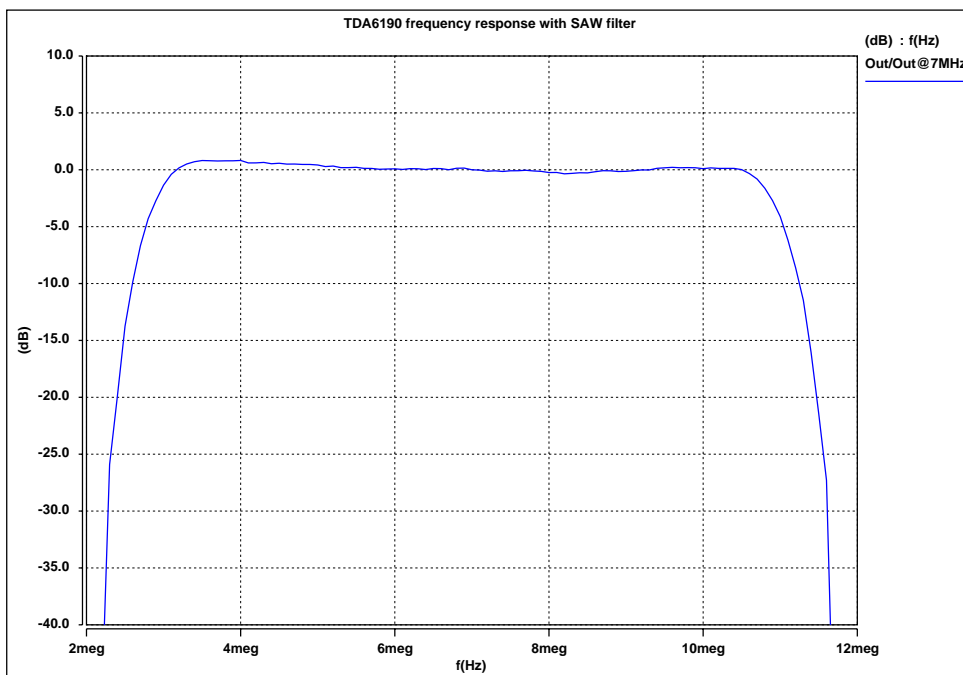
TDA6190_CurrentConsumption.pdf



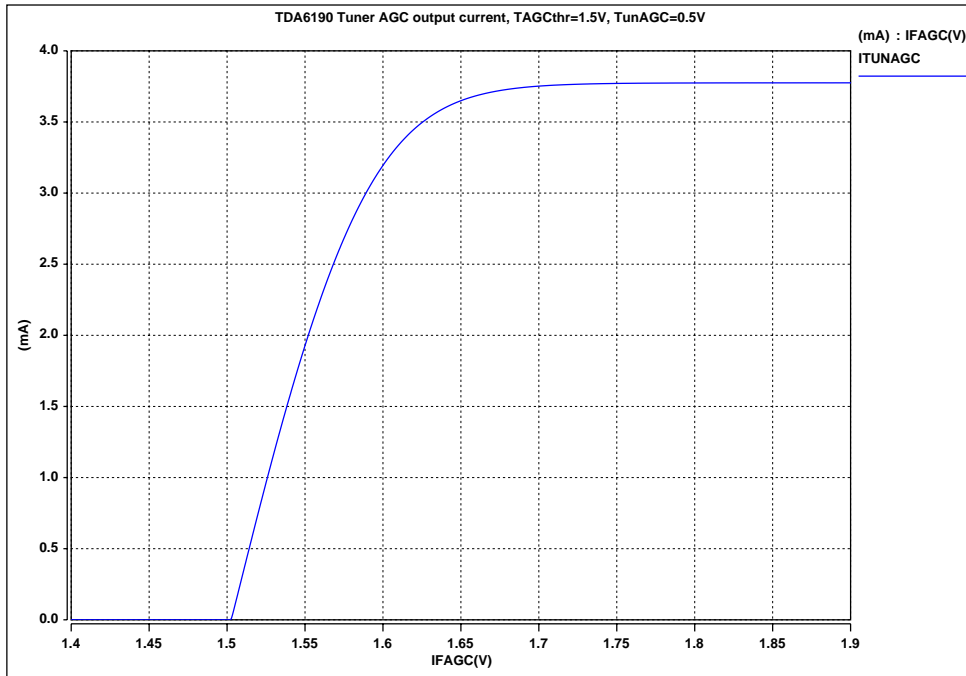
TDA6190_LineRegulation.pdf



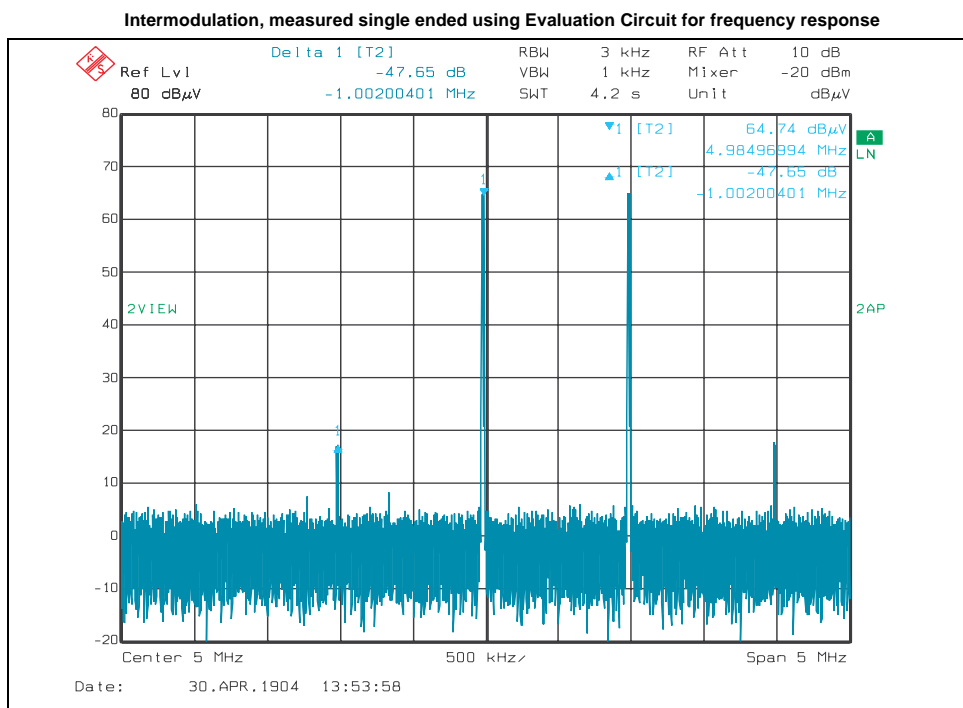
TDA6190_LoadRegulation.pdf



TDA6190_FrequencyResponse.pdf

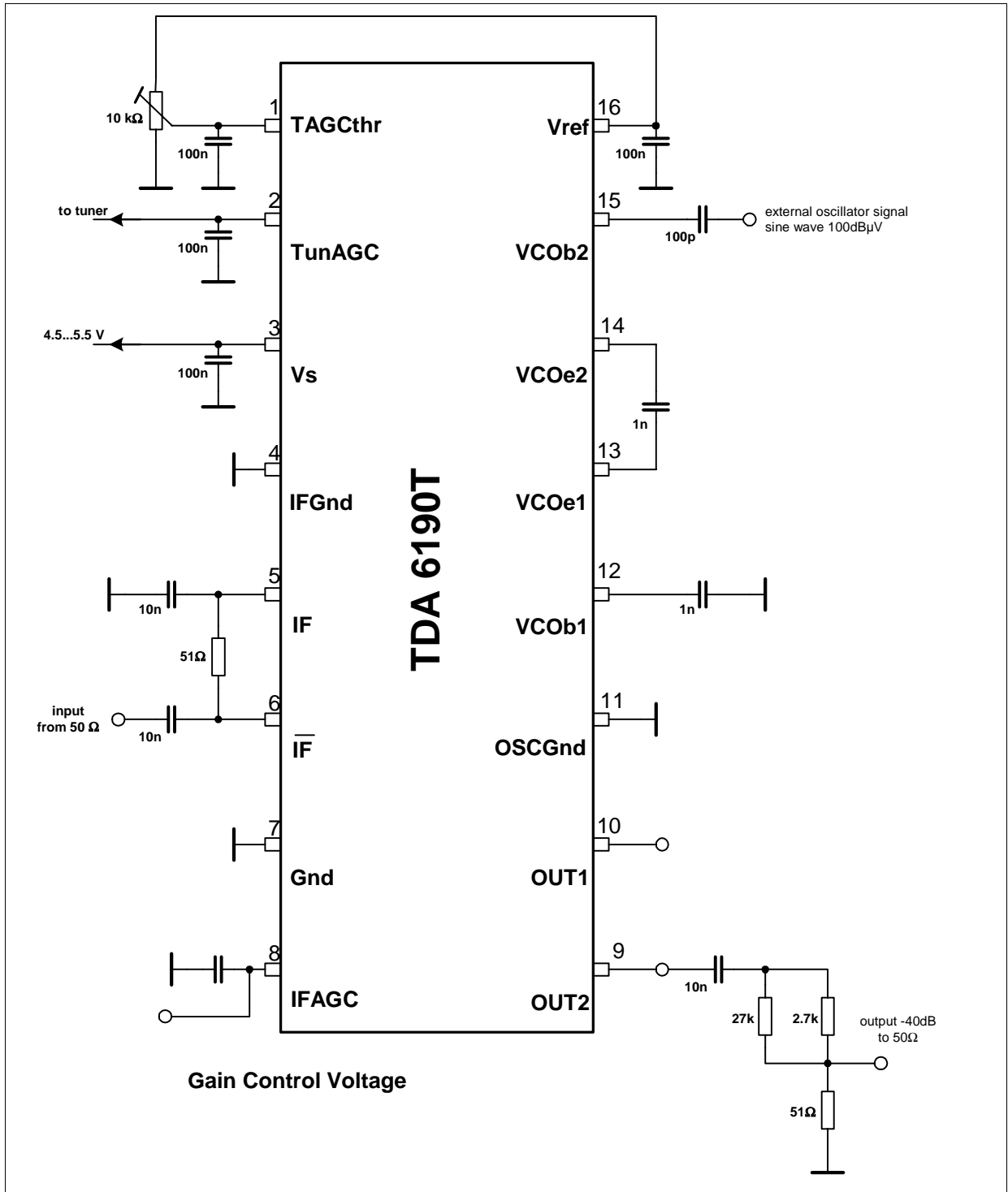


TDA6190_TunerAGC.pdf



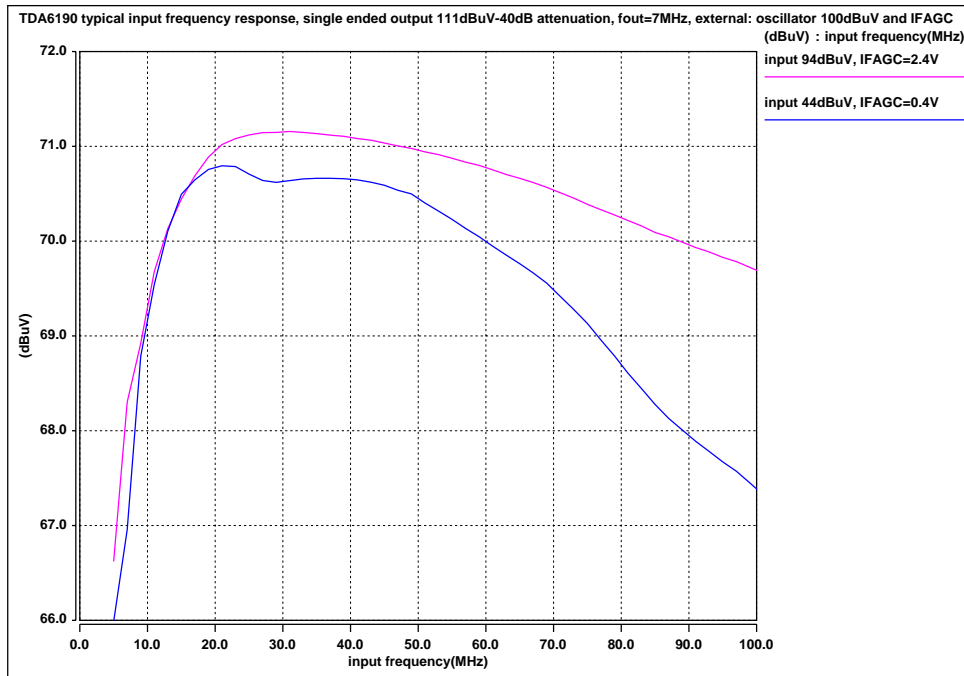
TDA6190_IM3.pdf

4.4 Evaluation Circuit for frequency response

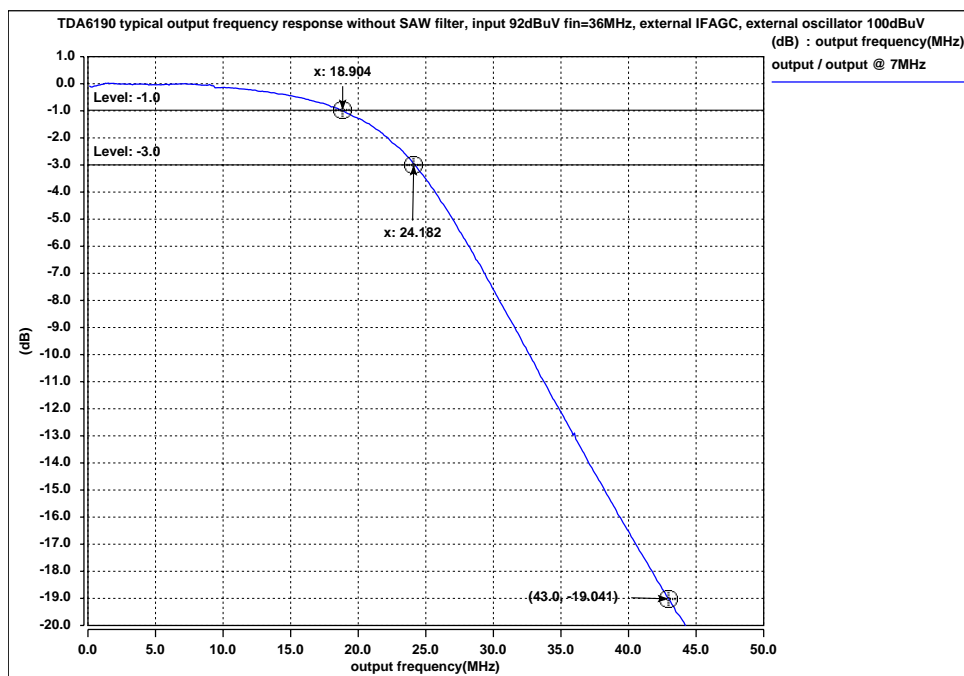


eval_1.wmf

Figure 4-2 Evaluation Circuit



TDA6190_FR_input_2.pdf



TDA6190_FR_output.pdf