

TLO143, TLO144

GaAsP ORANGE LIGHT EMISSION

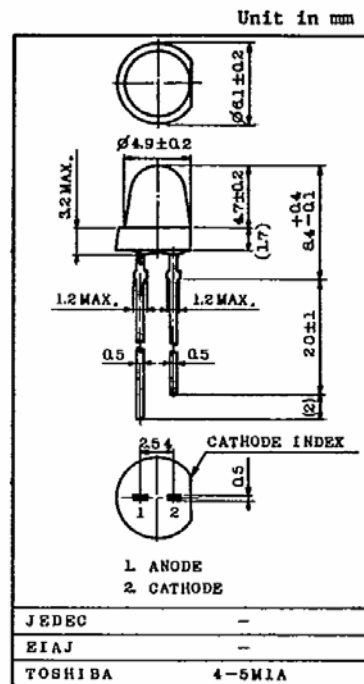
4.9mm DIAMETER(T 13/4, LOW PROFILE)

FEATURES:

- SUPER-BRIGHT
- All Plastic Mold Type
TLO143 : Orange Transparent Lens
TLO144 : Orange Lusterless Lens
- Low Drive Current, High Intensity Orange Light Emission.
Recommended Forward Current : $I_F=15\sim 20\text{mA(DC)}$
- All Plastic Molded Lens, Provides an Excellent ON-OFF Contrast Ratio.
- Fast Response Time, Capable of Pulse Operation.

MAXIMUM RATINGS (Ta = 25°C)

CHARACTERISTIC	SYMBOL	RATING	UNIT
Forward Current (DC)	I_F	25	mA
Reverse Voltage	V_R	4	V
Power Dissipation	P_D	70	mW
Operating Temperature Range	T_{opr}	-20 ~ 75	°C
Storage Temperature Range	T_{stg}	-30 ~ 100	°C



Weight : 0.23g

ELECTRO-OPTICAL CHARACTERISTICS (Ta = 25°C)

CHARACTERISTIC	SYMBOL	TEST CONDITION	MIN.	TYP.	MAX.	UNIT
Forward Voltage	V_F	$I_F=20\text{mA}$	-	2.1	2.8	V
Reverse Current	I_R	$V_R=4\text{V}$	-	-	100	μA
Luminous Intensity	TLO143	$I_F=15\text{mA}$	10	40	-	mcd
	TLO144		5	20	-	
Peak Emission Wave Length	λ_p	$I_F=15\text{mA}$	-	610	-	nm
Spectral Line Half Width	$\Delta\lambda$	$I_F=15\text{mA}$	-	35	-	nm

