

FEATURES

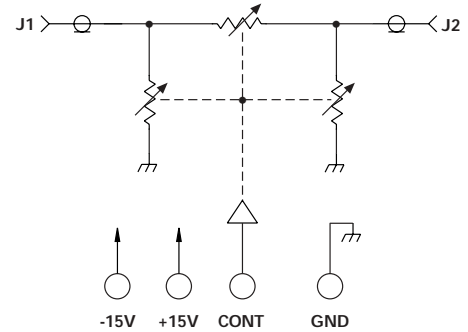
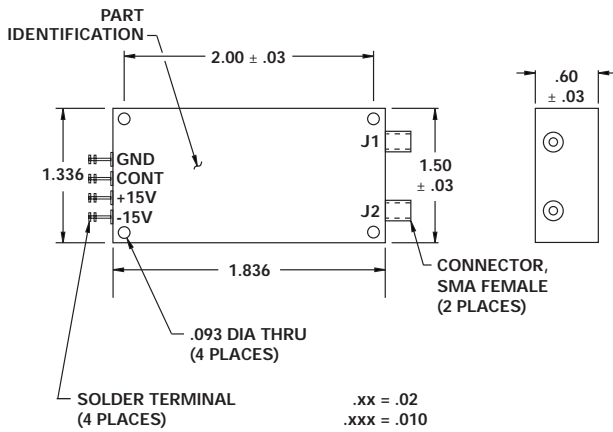
- 150 - 250 MHz
- 48 dB Linear Range
- Constant Phase vs. Attenuation
- SMA Connectors



MODEL NO.
100C1575

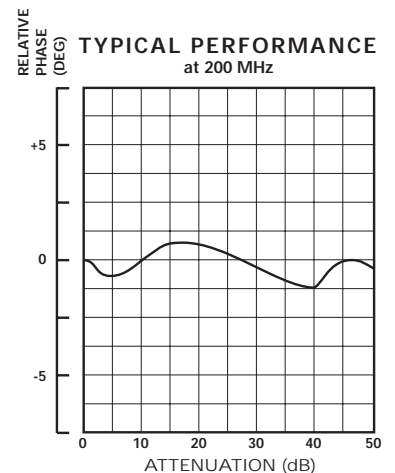
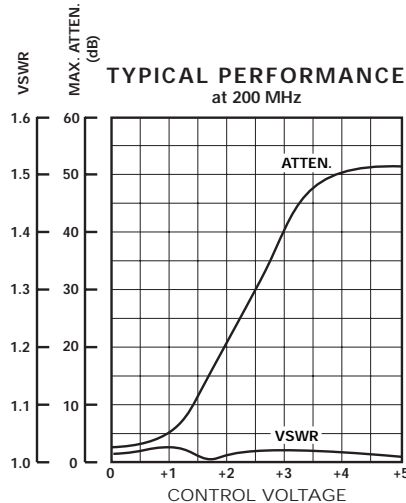
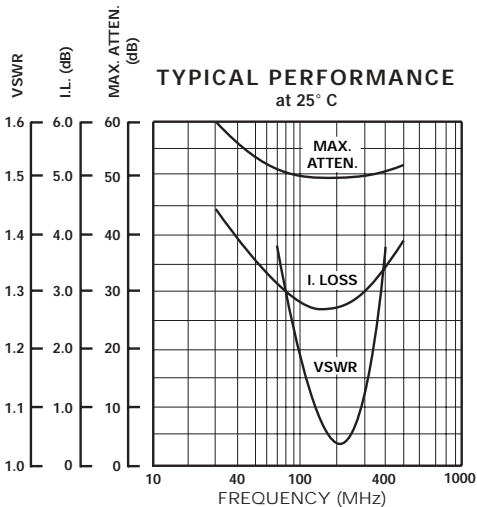
Phase Compensated
Linear PIN Diode VCA

VCA



GUARANTEED PERFORMANCE

Parameter	Min	Typ	Max	Units	Conditions
Operating Frequency	150		250	MHz	
DC Current		40	70	mA	At +15 VDC Supply At -15 VDC Supply
Control Current		40	70	mA	0 V = I.L. +5 V = Max. Atten.
Insertion Loss			3	4	dB
Attenuation	Range	40	48	dB	Best Straight Line Fit From IL +2 dB to 40 dB
	Slope	12	15	dB/V	
	Linearity			±2	
Phase Stability			10	DEG	Over Specified Range
VSWR		1.1/1	1.25/1		
Impedance		50		OHMS	
Slew Rate		6		dB/μs	
RF Power	Operate		+15	dBm	
	No Damage		+20	dBm	
Operating Temperature	-55	+25	+85	°C	TA



This datasheet has been download from:

www.datasheetcatalog.com

Datasheets for electronics components.