

# ARM60

## Data Sheet

Zarlink Part Number: P60ARM-B/IG/GP1N

Notes

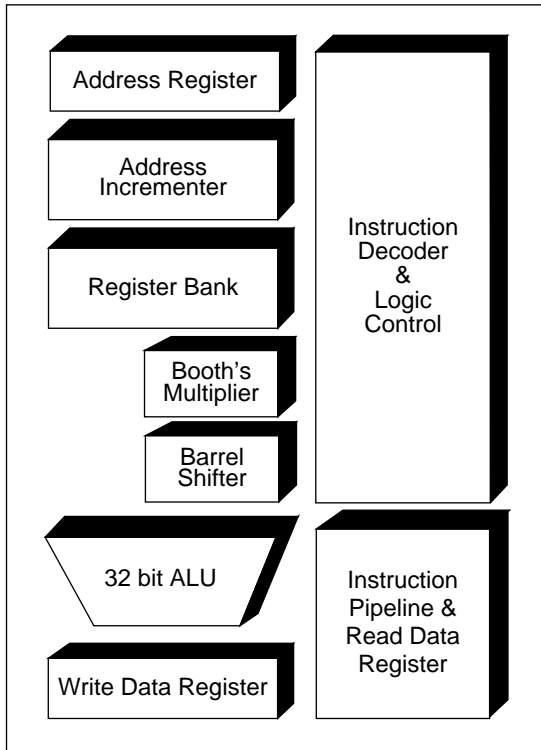
- 1) The original P60ARM/CG/GPFR is obsolete
- 2) This datasheet includes the performance data previously supplied in supplement MS4396 - Jan 1996



# Preface

---

The ARM60 is a low power, general purpose 32-bit RISC microprocessor. It is an implementation of the ARM6 macrocell, packaged in a 100 pin Metric Quad Flat Pack. Its simple, elegant and fully static design is particularly suitable for cost and power sensitive applications .



- ❑ **32 bit RISC processor**
- ❑ **32 bit data bus**
- ❑ **32 bit address bus**
- ❑ **Big and Little Endian operating modes**
- ❑ **High performance RISC**  
21 MIPS sustained @ 30MHz (30 MIPS peak) @ 5V
- ❑ **Low power consumption**  
1.5mA/MHz @ 5V fabricated in 1 $\mu$ m CMOS
- ❑ **Fully static operation**  
ideal for power sensitive applications
- ❑ **Fast interrupt response**  
for real-time applications
- ❑ **Virtual Memory System Support**
- ❑ **Excellent high-level language support**
- ❑ **Simple but powerful instruction set**
- ❑ **IEEE 1149.1 (JTAG) Boundary Scan**  
to ease testing

## Applications:

The ARM60 is ideally suited to those applications requiring RISC performance from a compact, power efficient processor. These include:

- Telecomms** - eg GSM terminal controller
- Datacomms** - eg protocol conversion
- Portable Computing** - eg palmtop computer
- Portable Instruments** - eg handheld data acquisition unit
- Automotive** - eg engine management unit
- Consumer Multimedia** - low cost controller

# Table of Contents

---

<b>1.0</b>	<b>Introduction</b>	<b>1</b>
1.1	ARM60 Block diagram	2
1.2	ARM60 Functional Diagram	3
<b>2.0</b>	<b>Signal Description</b>	<b>5</b>
<b>3.0</b>	<b>Programmer's Model</b>	<b>9</b>
3.1	Hardware Configuration	9
3.2	Operating Mode Selection	9
3.3	Registers	10
3.4	Exceptions	13
3.5	Reset	17
<b>4.0</b>	<b>Instruction Set</b>	<b>19</b>
4.1	Instruction Set Summary	19
4.2	The Condition Field	20
4.3	Branch and Branch with link (B, BL)	21
4.4	Data processing	23
4.5	PSR Transfer (MRS, MSR)	30
4.6	Multiply and Multiply-Accumulate (MUL, MLA)	34
4.7	Single data transfer (LDR, STR)	36
4.8	Block data transfer (LDM, STM)	41
4.9	Single data swap (SWP)	48
4.10	Software interrupt (SWI)	50
4.11	Coprocessor data operations (CDP)	52
4.12	Coprocessor data transfers (LDC, STC)	54
4.13	Coprocessor register transfers (MRC, MCR)	57
4.14	Undefined instruction	59
4.15	Instruction Set Examples	60
<b>5.0</b>	<b>Memory Interface</b>	<b>65</b>
5.1	Cycle types	65
5.2	Byte addressing	66
5.3	Address timing	68
5.4	Memory management	68
5.5	Locked operations	69
5.6	Stretching access times	69
<b>6.0</b>	<b>Coprocessor Interface</b>	<b>71</b>
6.1	Interface signals	71
6.2	Data transfer cycles	72
6.3	Register transfer cycle	72
6.4	Privileged instructions	72
6.5	Idempotency	72
6.6	Undefined instructions	73
<b>7.0</b>	<b>Instruction Cycle Operations</b>	<b>75</b>
7.1	Branch and branch with link	75
7.2	Data Operations	75
7.3	Multiply and multiply accumulate	77
7.4	Load register	77
7.5	Store register	78

# P60ARM-B

---

7.6	Load multiple registers	79
7.7	Store multiple registers	81
7.8	Data swap	81
7.9	Software interrupt and exception entry	82
7.10	Coprocessor data operation	83
7.11	Coprocessor data transfer (from memory to coprocessor)	83
7.12	Coprocessor data transfer (from coprocessor to memory)	85
7.13	Coprocessor register transfer (Load from coprocessor)	86
7.14	Coprocessor register transfer (Store to coprocessor)	86
7.15	Undefined instructions and coprocessor absent	87
7.16	Unexecuted instructions	87
7.17	Instruction Speed Summary	88
<b>8.0</b>	<b>Boundary Scan Test Interface</b>	<b>89</b>
8.1	Overview	89
8.2	Reset	90
8.3	Pullup Resistors	90
8.4	Instruction Register	90
8.5	Public Instructions	90
8.6	Test Data Registers	94
8.7	Boundary Scan Interface Signals	97
<b>9.0</b>	<b>DC Parameters</b>	<b>101</b>
9.1	Absolute Maximum Ratings	101
9.2	DC Operating Conditions	101
<b>10.0</b>	<b>AC Parameters</b>	<b>105</b>
10.1	Notes on AC Parameters	112
<b>11.0</b>	<b>Physical Details</b>	<b>113</b>
<b>12.0</b>	<b>Pinout</b>	<b>115</b>
<b>13.0</b>	<b>Appendix - Backward Compatibility</b>	<b>117</b>

## 1.0 Introduction

The ARM60 is part of the Advanced RISC Machines (ARM) family of general purpose 32-bit microprocessors, which offer very low power consumption and price for high performance devices. The architecture is based on Reduced Instruction Set Computer (RISC) principles, and the instruction set and related decode mechanism are much simpler in comparison with microprogrammed Complex Instruction Set Computers. This results in a high instruction throughput and impressive real-time interrupt response from a small and cost-effective chip.

The instruction set comprises eleven basic instruction types:

- Two of these make use of the on-chip arithmetic logic unit, barrel shifter and multiplier to perform high-speed operations on the data in a bank of 31 registers, each 32 bits wide;
- Three classes of instruction control data transfer between memory and the registers, one optimised for flexibility of addressing, another for rapid context switching and the third for swapping data;
- Three instructions control the flow and privilege level of execution; and
- Three types are dedicated to the control of external coprocessors which allow the functionality of the instruction set to be extended off-chip in an open and uniform way.

The ARM instruction set is a good target for compilers of many different high-level languages. Where required for critical code segments, assembly code programming is also straightforward, unlike some RISC processors which depend on sophisticated compiler technology to manage complicated instruction interdependencies.

Pipelining is employed so that all parts of the processing and memory systems can operate continuously. Typically, while one instruction is being executed, its successor is being decoded, and a third instruction is being fetched from memory.

The memory interface has been designed to allow the performance potential to be realised without incurring high costs in the memory system. Speed critical control signals are pipelined to allow system control functions to be implemented in standard low-power logic, and these control signals facilitate the exploitation of the fast access modes offered by industry standard dynamic RAMs.

ARM60 has a 32 bit address bus. All ARM processors share the same instruction set, and ARM60 can be configured to use a 26 bit address bus for backwards compatibility with earlier processors.

ARM60 is a fully static CMOS implementation of the ARM which allows the clock to be stopped in any part of the cycle with extremely low residual power consumption and no loss of state.

### Notation:

- |             |   |
|-------------|---|
| 0x          | - marks a Hexadecimal quantity  |
| <b>BOLD</b> | - external signals are shown in bold capital letters                                |
| binary      | - where it is not clear that a quantity is binary it is followed by the word binary |

# P60ARM-B

## 1.1 ARM60 Block diagram

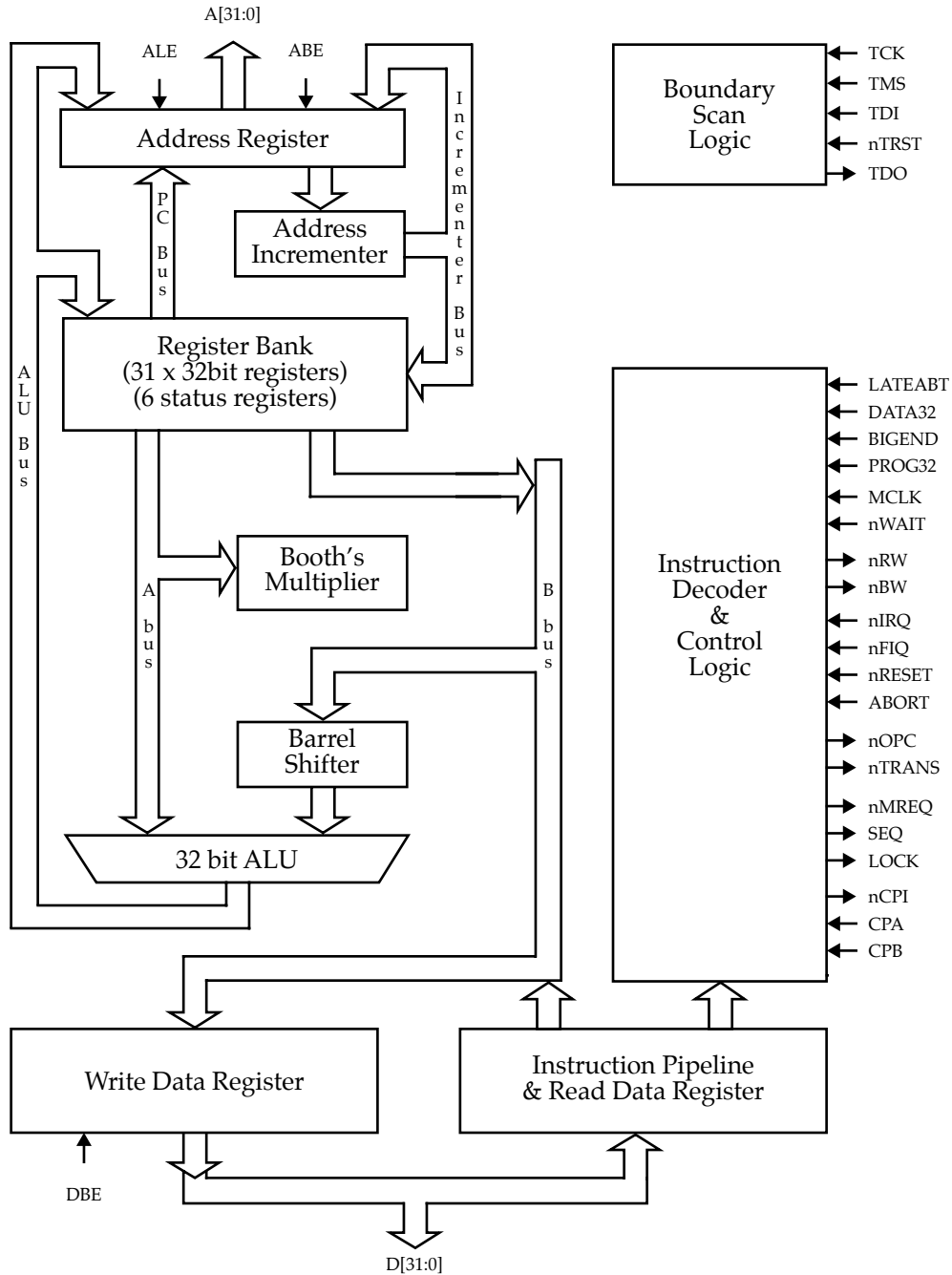


Figure 1: ARM60 Block Diagram

## 1.2 ARM60 Functional Diagram

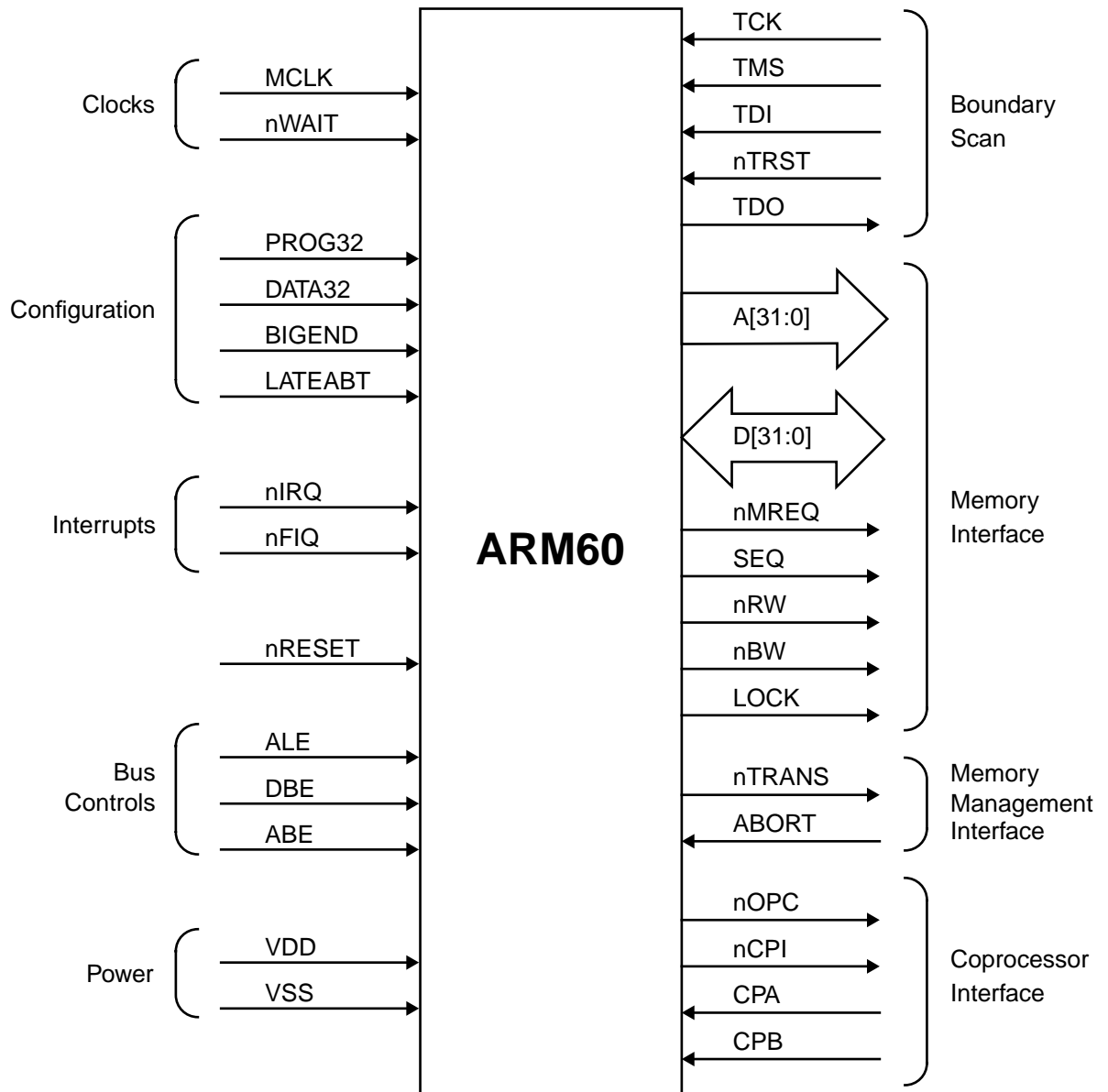


Figure 2: ARM60 Functional Diagram





## 2.0 Signal Description

Name	Type	Description
<b>A[31:0]</b>	OS8	Addresses. This is the processor address bus. If <b>ALE</b> (address latch enable) is HIGH, the addresses become valid during phase 2 of the cycle before the one to which they refer and remain so during phase 1 of the referenced cycle. Their stable period may be controlled by <b>ALE</b> as described below. Refer to section "AC parameters" for timing diagrams.
<b>ABE</b>	I	Address bus enable. This is an input signal which, when LOW, puts the address bus drivers into a high impedance state. <b>ABE</b> must be tied HIGH when there is no system requirement to turn off the address drivers.
<b>ABORT</b>	I	Memory <b>ABORT</b> . This is an input which allows the memory system to tell the processor that a requested access is not allowed. ARM60 can be configured to accept either early aborts for compatibility with earlier processors or late aborts for greater flexibility.
<b>ALE</b>	I	Address latch enable. This input is used to control transparent latches on the address outputs. Normally the addresses change during phase 2 to the value required during the next cycle, but for direct interfacing to ROMs they are required to be stable to the end of phase 2. Taking <b>ALE</b> LOW until the end of phase 2 will ensure that this happens. If the system does not require address lines to be held in this way, <b>ALE</b> must be tied HIGH. The address latch is static, so <b>ALE</b> may be held LOW for long periods to freeze addresses.
<b>BIGEND</b>	I	Big Endian configuration. When this signal is HIGH the processor treats bytes in memory as being in Big Endian format. When it is LOW memory is treated as Little Endian.
<b>CPA</b>	I	Coprocessor absent. A coprocessor which is capable of performing the operation that ARM60 is requesting (by asserting <b>nCPI</b> ) should take <b>CPA</b> LOW immediately. If <b>CPA</b> is HIGH at the end of phase 1 of the cycle in which <b>nCPI</b> went LOW, ARM60 will abort the coprocessor handshake and take the undefined instruction trap. If <b>CPA</b> is LOW and remains LOW, ARM60 will busy-wait until <b>CPB</b> is LOW and then complete the coprocessor instruction.
<b>CPB</b>	I	Coprocessor busy. A coprocessor which is capable of performing the operation which ARM60 is requesting (by asserting <b>nCPI</b> ), but cannot commit to starting it immediately, should indicate this by driving <b>CPB</b> HIGH. When the coprocessor is ready to start it should take <b>CPB</b> LOW. ARM60 samples <b>CPB</b> at the end of phase 1 of each cycle in which <b>nCPI</b> is LOW.
<b>D[31:0]</b>	I/ OS8	Data Bus. These are bidirectional signal paths which are used for data transfers between the processor and external memory. During read cycles (when <b>nRW</b> is LOW), the input data must be valid before the end of phase 2 of the transfer cycle. During write cycles (when <b>nRW</b> is HIGH), the output data will become valid during phase 1 and remain valid throughout phase 2 of the transfer cycle.
<b>DATA32</b>	I	32 bit Data configuration. When this signal is HIGH the processor can access data in a 32 bit address space using address lines <b>A[31:0]</b> . When it is LOW the processor can access data from a 26 bit address space using <b>A[25:0]</b> . In this latter configuration the address lines <b>A[31:26]</b> are not used. Before changing <b>DATA32</b> , ensure that the processor is not about to access an address greater than 0x3FFFFFF in the next cycle.

**Table 1: Signal Description**

# P60ARM-B

Name	Type	Description
<b>DBE</b>	I	Data bus enable. When <b>DBE</b> is LOW the write data register output drivers are disabled. When <b>DBE</b> goes HIGH these output drivers are enabled. <b>DBE</b> facilitates data bus sharing for DMA and so on.
<b>LATEABT</b>	I	Late abort. This signal controls the action of the processor on an abort exception. When it is HIGH (Late abort) the modified base register of an aborted LDR or STR instruction is written back. When it is LOW (Early abort) the modified base register is not written back. <b>LATEABT</b> must not be changed during the execution of a data access instruction where abort is active. It is recommended that the Late abort scheme be used where possible as this scheme will be used in future ARM processors.
<b>LOCK</b>	OS8	Locked operation. When <b>LOCK</b> is HIGH, the processor is performing a “locked” memory access, and the memory controller must wait until <b>LOCK</b> goes LOW before allowing another device to access the memory. <b>LOCK</b> changes while <b>MCLK</b> is HIGH, and remains HIGH for the duration of the locked memory accesses. It is active only during the data swap (SWP) instruction.
<b>MCLK</b>	I	Memory clock input. This clock times all ARM60 memory accesses and internal operations. The clock has two distinct phases - <i>phase 1</i> in which <b>MCLK</b> is LOW and <i>phase 2</i> in which <b>MCLK</b> (and <b>nWAIT</b> ) is HIGH. The clock may be stretched indefinitely in either phase to allow access to slow peripherals or memory. Alternatively, the <b>nWAIT</b> input may be used with a free running <b>MCLK</b> to achieve the same effect.
<b>nBW</b>	OS8	Not byte/word. This is an output signal used by the processor to indicate to the external memory system when a data transfer of a byte length is required. The signal is HIGH for word transfers and LOW for byte transfers and is valid for both read and write cycles. The signal will become valid during phase 2 of the cycle before the one in which the transfer will take place. It will remain stable throughout phase 1 of the transfer cycle.
<b>nCPI</b>	O4	Not Coprocessor instruction. When ARM60 executes a coprocessor instruction, it will take this output LOW and wait for a response from the coprocessor. The action taken will depend on this response, which the coprocessor signals on the <b>CPA</b> and <b>CPB</b> inputs.
<b>nFIQ</b>	I	Not fast interrupt request. This is an asynchronous interrupt request to the processor which causes it to be interrupted if taken LOW when the appropriate enable in the processor is active. The signal is level sensitive and must be held LOW until a suitable response is received from the processor.
<b>nIRQ</b>	I	Not interrupt request. As <b>nFIQ</b> , but with lower priority. May be taken LOW asynchronously to interrupt the processor when the appropriate enable is active.
<b>nMREQ</b>	O4	Not memory request. This signal, when LOW, indicates that the processor requires memory access during the following cycle. The signal becomes valid during phase 1, remaining valid through phase 2 of the cycle preceding that to which it refers.
<b>nOPC</b>	O4	Not op-code fetch. When LOW this signal indicates that the processor is fetching an instruction from memory; when HIGH, data (if present) is being transferred. The signal becomes valid during phase 2 of the previous cycle, remaining valid through phase 1 of the referenced cycle.

**Table 1: Signal Description**

# Signal Description

Name	Type	Description
<b>nRESET</b>	I	Not reset. This is a level sensitive input signal which is used to start the processor from a known address. A LOW level will cause the instruction being executed to terminate abnormally. When <b>nRESET</b> becomes HIGH for at least one clock cycle, the processor will restart from address 0. <b>nRESET</b> must remain LOW (and <b>nWAIT</b> must remain HIGH) for at least two clock cycles. During the LOW period the processor will perform dummy instruction fetches with the address incrementing from the point where reset was activated. The address will overflow to zero if <b>nRESET</b> is held beyond the maximum address limit.
<b>nRW</b>	OS8	Not read/ write. When HIGH this signal indicates a processor write cycle; when LOW, a read cycle. It becomes valid during phase 2 of the cycle before that to which it refers, and remains valid to the end of phase 1 of the referenced cycle.
<b>nTRANS</b>	OS8	Not memory translate. When this signal is LOW it indicates that the processor is in user mode. It may be used to tell memory management hardware when translation of the addresses should be turned on, or as an indicator of non-user mode activity.
<b>nTRST</b>	IP	NOT Test Reset. Active-low reset signal for the boundary scan logic. This pin must be pulsed or driven low to achieve normal device operation, in addition to the normal device reset ( <b>nRESET</b> ). The action of this and the other four boundary scan signals are described in more detail later in this document.
<b>nWAIT</b>	I	Not wait. When accessing slow peripherals, ARM60 can be made to wait for an integer number of <b>MCLK</b> cycles by driving <b>nWAIT</b> LOW. Internally, <b>nWAIT</b> is ANDed with <b>MCLK</b> and must only change when <b>MCLK</b> is LOW. If <b>nWAIT</b> is not used it must be tied HIGH.
<b>PROG32</b>	I	32 bit Program configuration. When this signal is HIGH the processor can fetch instructions from a 32 bit address space using address lines <b>A[31:0]</b> . When it is LOW the processor fetches instructions from a 26 bit address space using <b>A[25:0]</b> . In this latter configuration the address lines <b>A[31:26]</b> are not used for instruction fetches. Before changing <b>PROG32</b> , ensure that the processor is in a 26 bit mode, and is not about to write to an address in the range 0 to 0x1F (inclusive) in the next cycle.
<b>SEQ</b>	O4	Sequential address. This output signal will become HIGH when the address of the next memory cycle will be related to that of the last memory access. The new address will either be the same as or 4 greater than the old one.  The signal becomes valid during phase 1 and remains so through phase 2 of the cycle before the cycle whose address it anticipates. It may be used, in combination with the low-order address lines, to indicate that the next cycle can use a fast memory mode (for example DRAM page mode) and/or to bypass the address translation system.
<b>TCK</b>	IP	Test Clock.
<b>TDI</b>	IP	Test Data Input.
<b>TDO</b>	OS8	Test Data Output. Output from the boundary scan logic.
<b>TMS</b>	IP	Test Mode Select.
<b>VDD</b>	P	Power supply. These connections provide power to the device.
<b>VSS</b>	P	Ground. These connections are the ground reference for all signals.

**Table 1: Signal Description**

# P60ARM-B

---

## Key to Signal Types:

**I** - Input

**IP** - Input with pull-up resistor (35k $\Omega$  - 100k $\Omega$ )

**O4** - Output (4mA drive)

**OS8** - slew-limited output (8mA drive)

**P** - Power

## 3.0 Programmer's Model

ARM60 supports a variety of operating configurations. Some are controlled by inputs and are known as the *hardware configurations*. Others may be controlled by software and these are known as *operating modes*.

### 3.1 Hardware Configuration

The ARM60 processor provides 4 hardware configurations which may be changed while the processor is running and which are detailed in *Chapter 4.0 Instruction Set*.

The **BIGEND** input sets whether the ARM60 treats words in memory as being stored in Big Endian or Little Endian format. Memory is viewed as a linear collection of bytes numbered upwards from zero. Bytes 0 to 3 hold the first stored word, bytes 4 to 7 the second and so on.

In the Little Endian scheme the lowest numbered byte in a word is considered to be the least significant byte of the word and the highest numbered byte is the most significant. Byte 0 of the memory system should be connected to data lines 7 through 0 (**D[7:0]**) in this scheme.

In the Big Endian scheme the most significant byte of a word is stored at the lowest numbered byte and the least significant byte is stored at the highest numbered byte. Byte 0 of the memory system should therefore be connected to data lines 31 through 24 (**D[31:24]**).

The **LATEABT** input sets the processor's behaviour when a data abort exception occurs. It only affects the behaviour of load/store register instructions and is discussed more fully in *Chapter 3.0 Programmer's Model* and *Chapter 4.0 Instruction Set*.

The other two inputs, **PROG32** and **DATA32** are used for backward compatibility with earlier ARM processors (see *13.0 Appendix - Backward Compatibility*) but should normally be set to 1. This configuration extends the address space to 32 bits, introduces major changes in the programmer's model as described below and provides support for running existing 26 bit programs in the 32 bit environment. This mode is recommended for compatibility with future ARM processors and all new code should be written to use only the 32 bit operating modes.

Because the original ARM instruction set has been modified to accommodate 32 bit operation there are certain additional restrictions which programmers must be aware of. These are indicated in the text by the words shall and shall not. Reference should also be made to the *ARM Application Notes "Rules for ARM Code Writers"* and *"Notes for ARM Code Writers"* available from your supplier.

### 3.2 Operating Mode Selection

ARM60 has a 32 bit data bus and a 32 bit address bus. The data types the processor supports are Bytes (8 bits) and Words (32 bits), where words must be aligned to four byte boundaries. Instructions are exactly one word, and data operations (e.g. ADD) are only performed on word quantities. Load and store operations can transfer either bytes or words.

# P60ARM-B

---

ARM60 supports six modes of operation:

- (1) User mode (usr): the normal program execution state
- (2) FIQ mode (fiq): designed to support a data transfer or channel process
- (3) IRQ mode (irq): used for general purpose interrupt handling
- (4) Supervisor mode (svc): a protected mode for the operating system
- (5) Abort mode (abt): entered after a data or instruction prefetch abort
- (6) Undefined mode (und): entered when an undefined instruction is executed

Mode changes may be made under software control or may be brought about by external interrupts or exception processing. Most application programs will execute in User mode. The other modes, known as *privileged modes*, will be entered to service interrupts or exceptions or to access protected resources.

## 3.3 Registers

The processor has a total of 37 registers made up of 31 general 32 bit registers and 6 status registers. At any one time 16 general registers (R0 to R15) and one or two status registers are visible to the programmer. The visible registers depend on the processor mode and the other registers (the *banked registers*) are switched in to support IRQ, FIQ, Supervisor, Abort and Undefined mode processing. The register bank organisation is shown in *Figure 3: Register Organisation*. The banked registers are shaded in the diagram.

In all modes 16 registers, R0 to R15, are directly accessible. All registers except R15 are general purpose and may be used to hold data or address values. Register R15 holds the Program Counter (PC). When R15 is read, bits [1:0] are zero and bits [31:2] contain the PC. A seventeenth register (the CPSR - Current Program Status Register) is also accessible. It contains condition code flags and the current mode bits and may be thought of as an extension to the PC.

R14 is used as the subroutine link register and receives a copy of R15 when a Branch and Link instruction is executed. It may be treated as a general purpose register at all other times. R14\_svc, R14\_irq, R14\_fiq, R14\_abt and R14\_und are used similarly to hold the return values of R15 when interrupts and exceptions arise, or when Branch and Link instructions are executed within interrupt or exception routines.

## General Registers and Program Counter

User32	FIQ32	Supervisor32	Abort32	IRQ32	Undefined32
R0	R0	R0	R0	R0	R0
R1	R1	R1	R1	R1	R1
R2	R2	R2	R2	R2	R2
R3	R3	R3	R3	R3	R3
R4	R4	R4	R4	R4	R4
R5	R5	R5	R5	R5	R5
R6	R6	R6	R6	R6	R6
R7	R7	R7	R7	R7	R7
R8	R8_fiq	R8	R8	R8	R8
R9	R9_fiq	R9	R9	R9	R9
R10	R10_fiq	R10	R10	R10	R10
R11	R11_fiq	R11	R11	R11	R11
R12	R12_fiq	R12	R12	R12	R12
R13	R13_fiq	R13_svc	R13_abt	R13_irq	R13_und
R14	R14_fiq	R14_svc	R14_abt	R14_irq	R14_und
R15 (PC)	R15 (PC)	R15 (PC)	R15 (PC)	R15 (PC)	R15 (PC)

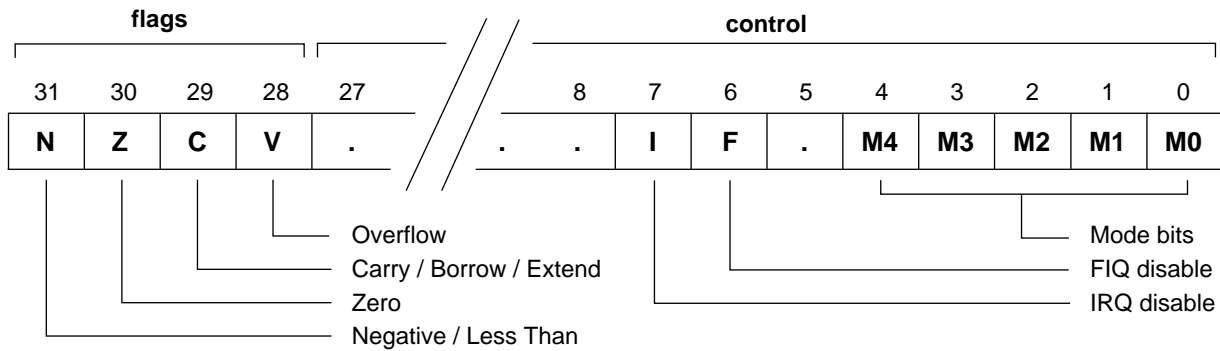
## Program Status Registers

CPSR	CPSR	CPSR	CPSR	CPSR	CPSR
	SPSR_fiq	SPSR_svc	SPSR_abt	SPSR_irq	SPSR_und

**Figure 3: Register Organisation**

FIQ mode has seven banked registers mapped to R8-14 (R8\_fiq-R14\_fiq). Many FIQ programs will not need to save any registers. User mode, IRQ mode, Supervisor mode, Abort mode and Undefined mode each have two banked registers mapped to R13 and R14. The two banked registers allow these modes to each have a private stack pointer and link register. Supervisor, IRQ, Abort and Undefined mode programs which require more than these two banked registers are expected to save some or all of the caller's registers (R0 to R12) on their respective stacks. They are then free to use these registers which they will restore before returning to the caller. In addition there are also five SPSRs (Saved Program Status Registers) which are loaded with the CPSR when an exception occurs. There is one SPSR for each privileged mode. Thus the CPSR of the calling mode can be easily restored when the current (privileged) mode is exited.

# P60ARM-B



**Figure 4: Format of the Program Status Registers (PSRs)**

The format of the Program Status Registers is shown in *Figure 4: Format of the Program Status Registers (PSRs)*. The N, Z, C and V bits are the *condition code flags*. The condition code flags in the CPSR may be changed as a result of arithmetic and logical operations in the processor and may be tested by all instructions to determine if the instruction is to be executed.

The I and F bits are the *interrupt disable bits*. The I bit disables IRQ interrupts when it is set and the F bit disables FIQ interrupts when it is set. The M0, M1, M2, M3 and M4 bits (M[4:0]) are the *mode bits*, and these determine the mode in which the processor operates. The interpretation of the mode bits is shown in *Table 2: The Mode Bits*. Not all combinations of the mode bits define a valid processor mode. Only those explicitly described shall be used.

The bottom 28 bits of a PSR (incorporating I, F and M[4:0]) are known collectively as the *control bits*. The control bits will change when an exception arises and in addition can be manipulated by software when the processor is in a privileged mode. Unused bits in the PSRs are reserved and their state shall be preserved when changing the flag or control bits. Programs shall not rely on specific values from the reserved bits when checking the PSR status, since they may read as one or zero in future processors.

M[4:0]	Mode	Accessible register set	
10000	User	PC, R14..R0	CPSR
10001	FIQ	PC, R14_fiq..R8_fiq, R7..R0	CPSR, SPSR_fiq
10010	IRQ	PC, R14_irq..R13_irq, R12..R0	CPSR, SPSR_irq
10011	Supervisor	PC, R14_svc..R13_svc, R12..R0	CPSR, SPSR_svc
10111	Abort	PC, R14_abt..R13_abt, R12..R0	CPSR, SPSR_abt
11011	Undefined	PC, R14_und..R13_und, R12..R0	CPSR, SPSR_und

**Table 2: The Mode Bits**



## 3.4 Exceptions

Exceptions arise whenever there is a need for the normal flow of program execution to be broken, so that (for example) the processor can be diverted to handle an interrupt from a peripheral. The processor state just prior to handling the exception must be preserved so that the original program can be resumed when the exception routine has completed. Many exceptions may arise at the same time.

ARM60 handles exceptions by making use of the banked registers to save state. The old PC and CPSR contents are copied into the appropriate R14 and SPSR and the PC and mode bits in the CPSR bits are forced to a value which depends on the exception. Interrupt disable flags are set where required to prevent otherwise unmanageable nestings of exceptions. In the case of a re-entrant interrupt handler, R14 and the SPSR should be saved onto a stack in main memory before re-enabling the interrupt; when transferring the SPSR register to and from a stack, it is important to transfer the whole 32 bit value, and not just the flag or control fields. When multiple exceptions arise simultaneously, a fixed priority determines the order in which they are handled. The priorities are listed later in this chapter.

### 3.4.1 FIQ

The FIQ (Fast Interrupt reQuest) exception is externally generated by taking the **nFIQ** input LOW. This input can accept asynchronous transitions, and is delayed by one clock cycle for synchronisation before it can affect the processor execution flow. It is designed to support a data transfer or channel process, and has sufficient private registers to remove the need for register saving in such applications (thus minimising the overhead of context switching). The FIQ exception may be disabled by setting the F flag in the CPSR (but note that this is not possible from User mode). If the F flag is clear, ARM60 checks for a LOW level on the output of the FIQ synchroniser at the end of each instruction.

When a FIQ is detected, ARM60 performs the following:

- (1) Saves the address of the next instruction to be executed plus 4 in R14\_fiq; saves CPSR in SPSR\_fiq
- (2) Forces M[4:0]=10001 (FIQ mode) and sets the F and I bits in the CPSR
- (3) Forces the PC to fetch the next instruction from address 0x1C

To return normally from FIQ, use SUBS PC, R14\_fiq, #4 which will restore both the PC (from R14) and the CPSR (from SPSR\_fiq) and resume execution of the interrupted code. R14\_fiq is a symbol for the register R14 and if used needs to be declared in the users application program.

### 3.4.2 IRQ

The IRQ (Interrupt ReQuest) exception is a normal interrupt caused by a LOW level on the **nIRQ** input. It has a lower priority than FIQ, and is masked out when a FIQ sequence is entered. Its effect may be masked out at any time by setting the I bit in the CPSR (but note that this is not possible from User mode). If the I flag is clear, ARM60 checks for a LOW level on the output of the IRQ synchroniser at the end of each instruction. When an IRQ is detected, ARM60 performs the following:

- (1) Saves the address of the next instruction to be executed plus 4 in R14\_irq; saves CPSR in SPSR\_irq
- (2) Forces M[4:0]=10010 (IRQ mode) and sets the I bit in the CPSR
- (3) Forces the PC to fetch the next instruction from address 0x18

## P60ARM-B

---

To return normally from IRQ, use `SUBS PC,R14_irq,#4` which will restore both the PC and the CPSR and resume execution of the interrupted code. `R14_fiq` is a symbol for the register R14 and if used needs to be declared in the users application program.

### 3.4.3 Abort

An ABORT can be signalled by the external **ABORT** input. ABORT indicates that the current memory access cannot be completed. For instance, in a virtual memory system the data corresponding to the current address may have been moved out of memory onto a disc, and considerable processor activity may be required to recover the data before the access can be performed successfully. ARM60 checks for ABORT during memory access cycles. When successfully aborted ARM60 will respond in one of two ways:

- (1) If the abort occurred during an instruction prefetch (a *Prefetch Abort*), the prefetched instruction is marked as invalid but the abort exception does not occur immediately. If the instruction is not executed, for example as a result of a branch being taken while it is in the pipeline, no abort will occur. An abort will take place if the instruction reaches the head of the pipeline and is about to be executed.
- (2) If the abort occurred during a data access (a *Data Abort*), the action depends on the instruction type.
  - (a) Single data transfer instructions (LDR, STR) are aborted as though the instruction had not executed if the processor is configured for Early Abort. When configured for Late Abort, these instructions are able to write back modified base registers and the Abort handler must be aware of this.
  - (b) The swap instruction (SWP) is aborted as though it had not executed, though externally the read access may take place.
  - (c) Block data transfer instructions (LDM, STM) complete, and if write-back is set, the base is updated. If the instruction would normally have overwritten the base with data (i.e. LDM with the base in the transfer list), this overwriting is prevented. All register overwriting is prevented after the Abort is indicated, which means in particular that R15 (which is always last to be transferred) is preserved in an aborted LDM instruction.

When either a prefetch or data abort occurs, ARM60 performs the following:

- (1) Saves the address of the aborted instruction plus 4 (for prefetch aborts) or 8 (for data aborts) in `R14_abt`; saves CPSR in `SPSR_abt`.
- (2) Forces `M[4:0]=10111` (Abort mode) and sets the I bit in the CPSR.
- (3) Forces the PC to fetch the next instruction from either address `0x0C` (prefetch abort) or address `0x10` (data abort).

To return after fixing the reason for the abort, use `SUBS PC,R14_abt,#4` (for a prefetch abort) or `SUBS PC,R14_abt,#8` (for a data abort). This will restore both the PC and the CPSR and retry the aborted instruction. `R14_fiq` is a symbol for the register R14 and if used needs to be declared in the users application program.

The abort mechanism allows a *demand paged virtual memory system* to be implemented when suitable memory management software is available. The processor is allowed to generate arbitrary addresses, and when the data at an address is unavailable the MMU signals an abort. The processor traps into system

software which must work out the cause of the abort, make the requested data available, and retry the aborted instruction. The application program needs no knowledge of the amount of memory available to it, nor is its state in any way affected by the abort.

### 3.4.4 Software interrupt

The software interrupt instruction (SWI) is used for getting into Supervisor mode, usually to request a particular supervisor function. When a SWI is executed, ARM60 performs the following:

- (1) Saves the address of the SWI instruction plus 4 in R14\_svc; saves CPSR in SPSR\_svc
- (2) Forces M[4:0]=10011 (Supervisor mode) and sets the I bit in the CPSR
- (3) Forces the PC to fetch the next instruction from address 0x08

To return from a SWI, use `MOVS PC,R14_svc`. This will restore the PC and CPSR and return to the instruction following the SWI.

### 3.4.5 Undefined instruction trap

When the ARM60 comes across an instruction which it cannot handle (see *Chapter 4.0 Instruction Set*), it offers it to any coprocessors which may be present. If a coprocessor can perform this instruction but is busy at that time, ARM60 will wait until the coprocessor is ready or until an interrupt occurs. If no coprocessor can handle the instruction then ARM60 will take the undefined instruction trap.

The trap may be used for software emulation of a coprocessor in a system which does not have the coprocessor hardware, or for general purpose instruction set extension by software emulation.

When ARM60 takes the undefined instruction trap it performs the following:

- (1) Saves the address of the Undefined or coprocessor instruction plus 4 in R14\_und; saves CPSR in SPSR\_und.
- (2) Forces M[4:0]=11011 (Undefined mode) and sets the I bit in the CPSR
- (3) Forces the PC to fetch the next instruction from address 0x04

To return from this trap after emulating the failed instruction, use `MOVS PC,R14_und`. This will restore the CPSR and return to the instruction following the undefined instruction.

# P60ARM-B

---

## 3.4.6 Vector Summary

Address	Exception	Mode on entry
0x00000000	Reset	Supervisor
0x00000004	Undefined instruction	Undefined
0x00000008	Software interrupt	Supervisor
0x0000000C	Abort (prefetch)	Abort
0x00000010	Abort (data)	Abort
0x00000014	-- reserved --	--
0x00000018	IRQ	IRQ
0x0000001C	FIQ	FIQ

Table 3: Vector Summary

These are byte addresses, and will normally contain a branch instruction pointing to the relevant routine.

The FIQ routine might reside at 0x1C onwards, and thereby avoid the need for (and execution time of) a branch instruction.

The reserved entry is for an Address Exception vector which is only operative when the processor is configured for a 26 bit program space. See *13.0 Appendix - Backward Compatibility*

## 3.4.7 Exception Priorities

When multiple exceptions arise at the same time, a fixed priority system determines the order in which they will be handled:

- (1) Reset (highest priority)
- (2) Data abort
- (3) FIQ
- (4) IRQ
- (5) Prefetch abort
- (6) Undefined Instruction, Software interrupt (lowest priority)

Note that not all exceptions can occur at once. Undefined instruction and software interrupt are mutually exclusive since they each correspond to particular (non-overlapping) decodings of the current instruction.

If a data abort occurs at the same time as a FIQ, and FIQs are enabled (i.e. the F flag in the CPSR is clear), ARM60 will enter the data abort handler and then immediately proceed to the FIQ vector. A normal return from FIQ will cause the data abort handler to resume execution. Placing data abort at a higher priority than FIQ is necessary to ensure that the transfer error does not escape detection; the time for this exception entry should be added to worst case FIQ latency calculations.

## 3.4.8 Interrupt Latencies

The worst case latency for FIQ, assuming that it is enabled, consists of the longest time the request can take to pass through the synchroniser ( $T_{syncmax}$ ), plus the time for the longest instruction to complete ( $T_{ldm}$ , the longest instruction is an LDM which loads all the registers including the PC), plus the time for the data abort entry ( $T_{exc}$ ), plus the time for FIQ entry ( $T_{fiq}$ ). At the end of this time ARM60 will be executing the instruction at 0x1C.

$T_{syncmax}$  is 3 processor cycles,  $T_{ldm}$  is 20 cycles,  $T_{exc}$  is 3 cycles, and  $T_{fiq}$  is 2 cycles. The total time is therefore 28 processor cycles. This is just over 1.4 microseconds in a system which uses a continuous 20 MHz processor clock. The maximum IRQ latency calculation is similar, but must allow for the fact that FIQ has higher priority and could delay entry into the IRQ handling routine for an arbitrary length of time. The minimum latency for FIQ or IRQ consists of the shortest time the request can take through the synchroniser ( $T_{syncmin}$ ) plus  $T_{fiq}$ . This is 4 processor cycles.

To reduce the interrupt latency,  $T_{ldm}$  can be reduced by using an option in the compiler which splits LDM instructions so that it will only load or store a user defined number (between 3 and 16) of registers at any one time.

If this option is used, then the MUL or MLA instruction can potentially become the longest taking up to 17 cycles, depending on the data being manipulated.

## 3.5 Reset

When the **nRESET** signal goes LOW, ARM60 abandons the executing instruction and then continues to fetch instructions from incrementing word addresses.

When **nRESET** goes HIGH again, ARM60 does the following:

- (1) Overwrites R14\_svc and SPSR\_svc by copying the current values of the PC and CPSR into them. The value of the saved PC and CPSR is not defined.
- (2) Forces M[4:0]=10011 (Supervisor mode) and sets the I and F bits in the CPSR.
- (3) Forces the PC to fetch the next instruction from address 0x00



# Instruction Set - Summary

## 4.0 Instruction Set

### 4.1 Instruction Set Summary

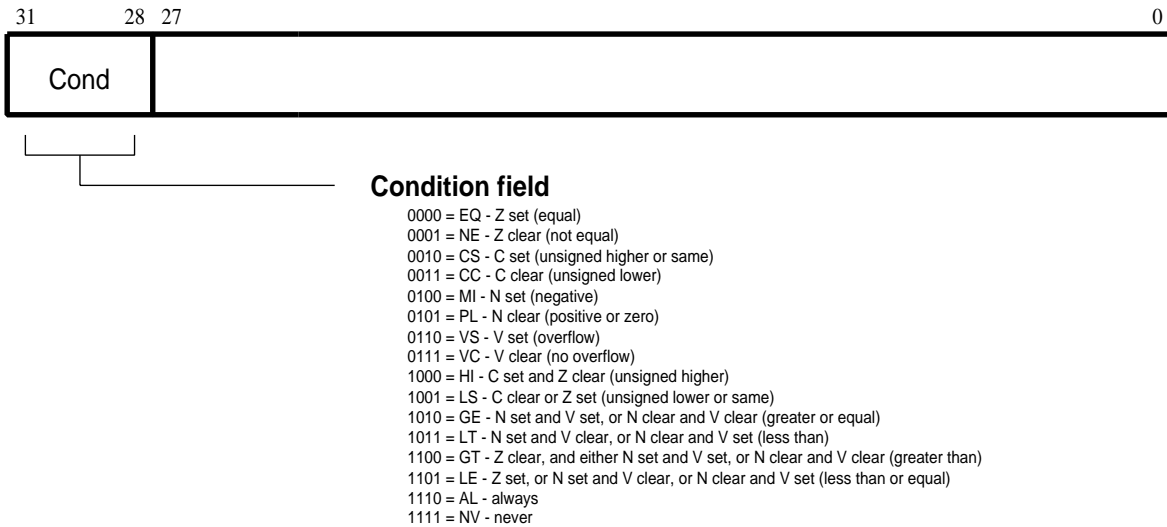
A summary of the ARM60 instruction set is shown in *Figure 5: Instruction Set Summary*.

Note: some instruction codes are not defined but do not cause the Undefined instruction trap to be taken, for instance a Multiply instruction with bit 6 changed to a 1. These instructions shall not be used, as their action may change in future ARM implementations.

	31	28	27	26	25	24	23	22	21	20	19	16	15	12	11	8	7	5	4	3	0	
Cond	0	0	I	Opcode				S	Rn			Rd		Operand 2						<b>Data Processing</b> <b>PSR Transfer</b>		
Cond	0 0 0 0 0 0						A	S	Rd			Rn		Rs	1 0 0 1		Rm			<b>Multiply</b>		
Cond	0 0 0 1 0						B	0 0		Rn			Rd		0 0 0 0		1 0 0 1		Rm		<b>Single Data Swap</b>	
Cond	0	1	I	P	U	B	W	L	Rn			Rd		offset						<b>Single Data Transfer</b>		
Cond	0	1	1	XXXXXXXXXXXXXXXXXXXXXXX																1	XXXX	<b>Undefined</b>
Cond	1	0	0	P	U	S	W	L	Rn			Register List									<b>Block Data Transfer</b>	
Cond	1	0	1	L	offset																<b>Branch</b>	
Cond	1	1	0	P	U	N	W	L	Rn			CRd	CP#	offset						<b>Coproc Data Transfer</b>		
Cond	1	1	1	0	CP Opc			CRn			CRd	CP#	CP	0	CRm			<b>Coproc Data Operation</b>				
Cond	1	1	1	0	CP Opc			L	CRn			Rd	CP#	CP	1	CRm		<b>Coproc Register Transfer</b>				
Cond	1	1	1	1	ignored by processor																<b>Software Interrupt</b>	

Figure 5: Instruction Set Summary

## 4.2 The Condition Field



**Figure 6: Condition Codes**

All ARM60 instructions are conditionally executed, which means that their execution may or may not take place depending on the values of the N, Z, C and V flags in the CPSR. The condition encoding is shown in *Figure 6: Condition Codes*.

If the *always* (AL) condition is specified, the instruction will be executed irrespective of the flags. The *never* (NV) class of condition codes shall not be used as they will be redefined in future variants of the ARM architecture. If a NOP is required it is suggested that MOV R0,R0 be used. The assembler treats the absence of a condition code as though *always* had been specified.

The other condition codes have meanings as detailed in *Figure 6: Condition Codes*, for instance code 0000 (Equal) causes the instruction to be executed only if the Z flag is set. This would correspond to the case where a compare (CMP) instruction had found the two operands to be equal. If the two operands were different, the compare instruction would have cleared the Z flag and the instruction will not be executed.



## 4.3 Branch and Branch with link (B, BL)

The instruction is only executed if the condition is true. The various conditions are defined at the beginning of this chapter. The instruction encoding is shown in *Figure 7: Branch Instructions*.

Branch instructions contain a signed 2's complement 24 bit offset. This is shifted left two bits, sign extended to 32 bits, and added to the PC. The instruction can therefore specify a branch of +/- 32Mbytes. The branch offset must take account of the prefetch operation, which causes the PC to be 2 words (8 bytes) ahead of the current instruction.

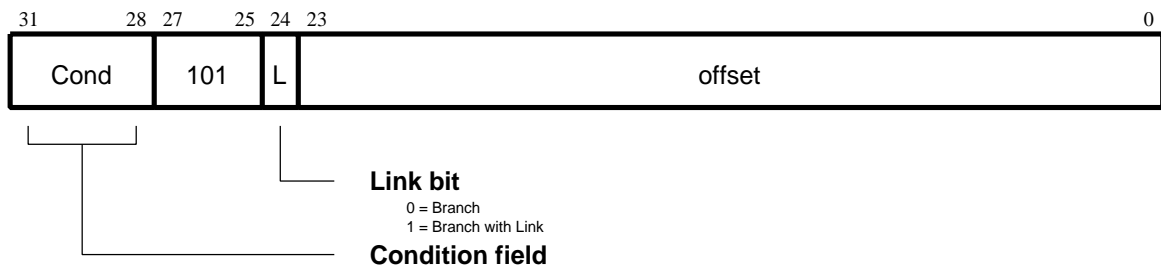


Figure 7: Branch Instructions

Branches beyond +/- 32Mbytes must use an offset or absolute destination which has been previously loaded into a register. In this case the PC should be manually saved in R14 if a Branch with Link type operation is required.

### 4.3.1 The link bit

Branch with Link (BL) writes the old PC into the link register (R14) of the current bank. The PC value written into R14 is adjusted to allow for the prefetch, and contains the address of the instruction following the branch and link instruction. Note that the CPSR is not saved with the PC.

To return from a routine called by Branch with Link use MOV PC,R14 if the link register is still valid or LDM Rn!,{..PC} if the link register has been saved onto a stack pointed to by Rn.

### 4.3.2 Instruction Cycle Times

Branch and Branch with Link instructions take  $2S + 1N$  incremental cycles, where S and N are as defined in section 5.1 Cycle types on page 65.

### 4.3.3 Assembler syntax

**B{L}{cond} <expression>**

{L} is used to request the Branch with Link form of the instruction. If absent, R14 will not be affected by the instruction.

{cond} is a two-char mnemonic as shown in *Figure 6: Condition Codes* (EQ, NE, VS etc). If absent then AL (ALways) will be used.

# P60ARM-B

---

<expression> is the destination. The assembler calculates the offset.

Items in {} are optional. Items in <> must be present.

## 4.3.4 Examples

```
here BAL     here      ; assembles to 0xEAFFFFFEE (note effect of PC offset)
      B      there     ; ALways condition used as default

      CMP    R1,#0     ; compare R1 with zero and branch to fred if R1
      BEQ   fred      ; was zero otherwise continue to next instruction

      BL    sub+ROM    ; call subroutine at computed address

      ADDS  R1,#1     ; add 1 to register 1, setting CPSR flags on the
      BLCC  sub       ; result then call subroutine if the C flag is clear,
                       ; which will be the case unless R1 held 0xFFFFFFFF
```

# Instruction Set - Data processing

## 4.4 Data processing

The instruction is only executed if the condition is true, defined at the beginning of this chapter. The instruction encoding is shown in *Figure 8: Data Processing Instructions*.

The instruction produces a result by performing a specified arithmetic or logical operation on one or two operands. The first operand is always a register (Rn). The second operand may be a shifted register (Rm) or a rotated 8 bit immediate value (Imm) according to the value of the I bit in the instruction. The condition codes in the CPSR may be preserved or updated as a result of this instruction, according to the value of the S bit in the instruction. Certain operations (TST, TEQ, CMP, CMN) do not write the result to Rd. They are used only to perform tests and to set the condition codes on the result and always have the S bit set. The instructions and their effects are listed in *Table 4: ARM Data Processing Instructions*.

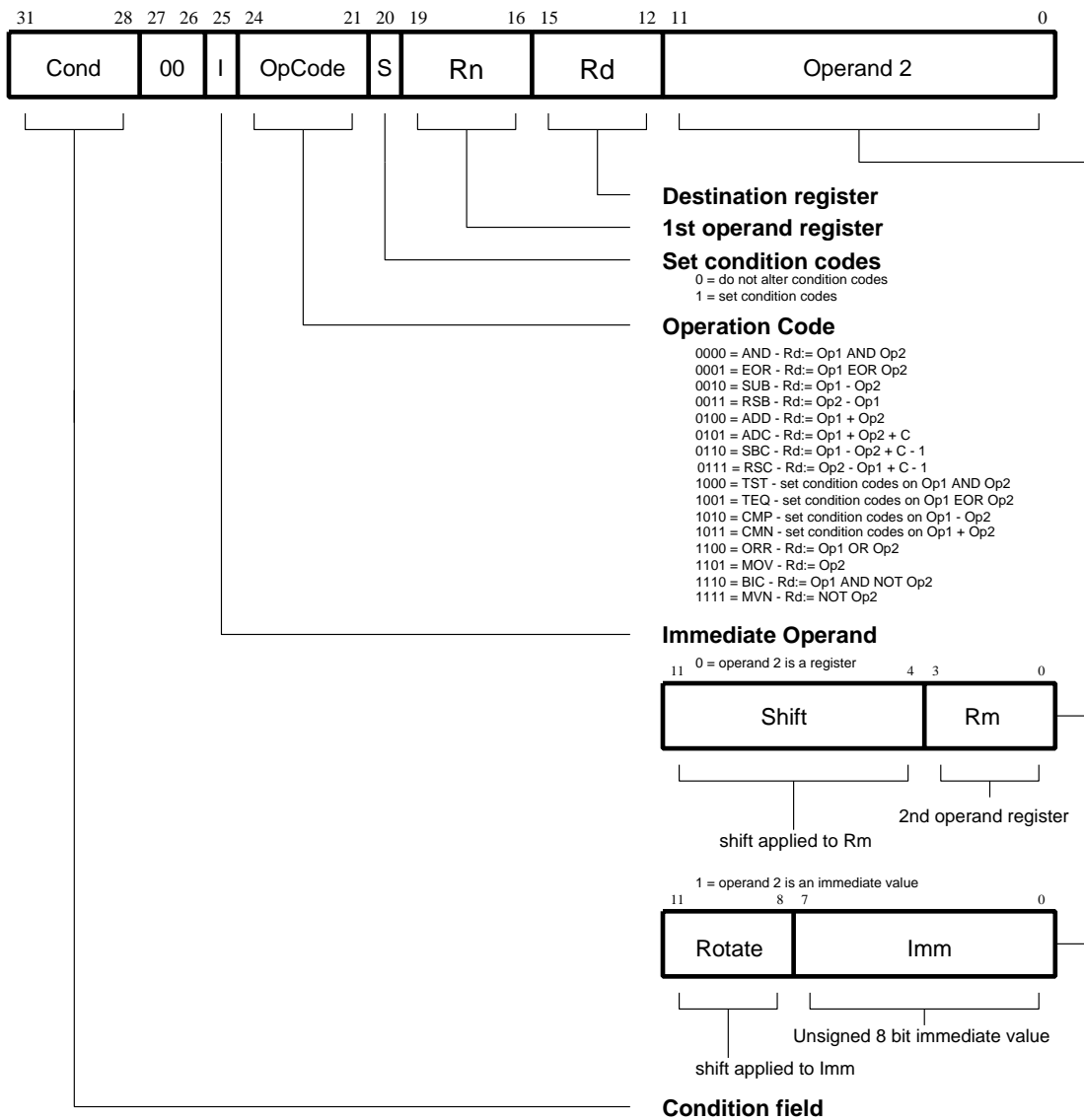


Figure 8: Data Processing Instructions

# P60ARM-B

---

## 4.4.1 CPSR flags

The data processing operations may be classified as logical or arithmetic. The logical operations (AND, EOR, TST, TEQ, ORR, MOV, BIC, MVN) perform the logical action on all corresponding bits of the operand or operands to produce the result. If the S bit is set (and Rd is not R15, see below) the V flag in the CPSR will be unaffected, the C flag will be set to the carry out from the barrel shifter (or preserved when the shift operation is LSL #0), the Z flag will be set if and only if the result is all zeros, and the N flag will be set to the logical value of bit 31 of the result.

Assembler Mnemonic	OpCode	Action
AND	0000	operand1 AND operand2
EOR	0001	operand1 EOR operand2
SUB	0010	operand1 - operand2
RSB	0011	operand2 - operand1
ADD	0100	operand1 + operand2
ADC	0101	operand1 + operand2 + carry
SBC	0110	operand1 - operand2 + carry - 1
RSC	0111	operand2 - operand1 + carry - 1
TST	1000	as AND, but result is not written
TEQ	1001	as EOR, but result is not written
CMP	1010	as SUB, but result is not written
CMN	1011	as ADD, but result is not written
ORR	1100	operand1 OR operand2
MOV	1101	operand2 (operand1 is ignored)
BIC	1110	operand1 AND NOT operand2 (Bit clear)
MVN	1111	NOT operand2 (operand1 is ignored)

Table 4: ARM Data Processing Instructions

The arithmetic operations (SUB, RSB, ADD, ADC, SBC, RSC, CMP, CMN) treat each operand as a 32 bit integer (either unsigned or 2's complement signed, the two are equivalent). If the S bit is set (and Rd is not R15) the V flag in the CPSR will be set if an overflow occurs into bit 31 of the result; this may be ignored if the operands were considered unsigned, but warns of a possible error if the operands were 2's complement signed. The C flag will be set to the carry out of bit 31 of the ALU, the Z flag will be set if and only if the result was zero, and the N flag will be set to the value of bit 31 of the result (indicating a negative result if the operands are considered to be 2's complement signed).

# Instruction Set - Shifts

## 4.4.2 Shifts

When the second operand is specified to be a shifted register, the operation of the barrel shifter is controlled by the Shift field in the instruction. This field indicates the type of shift to be performed (logical left or right, arithmetic right or rotate right). The amount by which the register should be shifted may be contained in an immediate field in the instruction, or in the bottom byte of another register (other than R15). The encoding for the different shift types is shown in *Figure 9: ARM Shift Operations*.

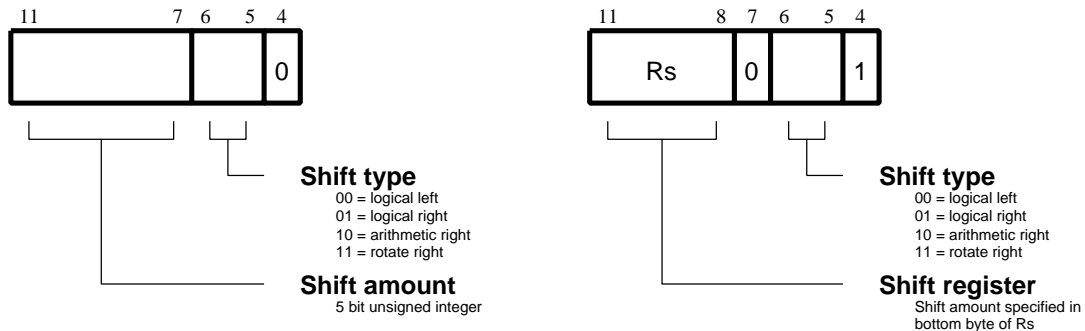


Figure 9: ARM Shift Operations

### Instruction specified shift amount

When the shift amount is specified in the instruction, it is contained in a 5 bit field which may take any value from 0 to 31. A logical shift left (LSL) takes the contents of Rm and moves each bit by the specified amount to a more significant position. The least significant bits of the result are filled with zeros, and the high bits of Rm which do not map into the result are discarded, except that the least significant discarded bit becomes the shifter carry output which may be latched into the C bit of the CPSR when the ALU operation is in the logical class (see above). For example, the effect of LSL #5 is shown in *Figure 10: Logical Shift Left*.

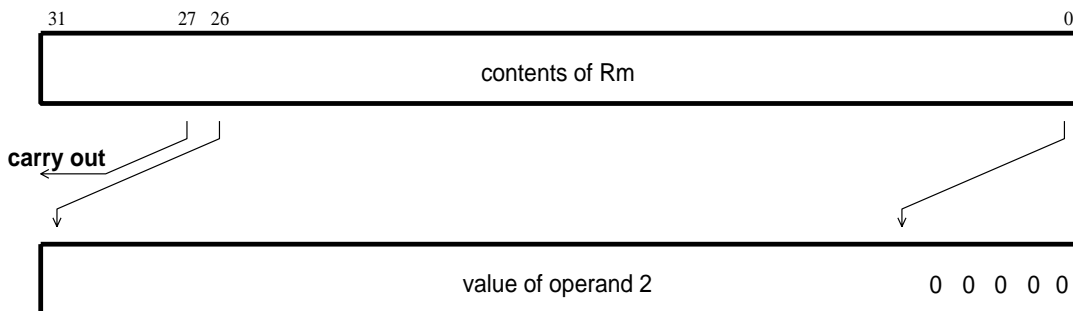
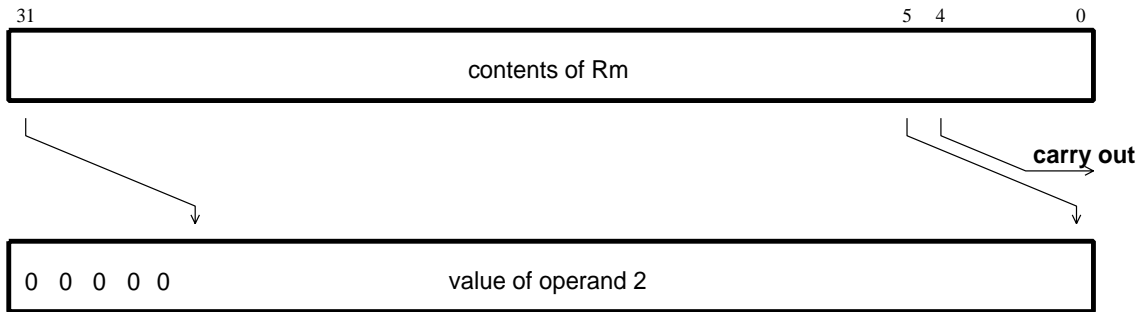


Figure 10: Logical Shift Left

Note that LSL #0 is a special case, where the shifter carry out is the old value of the CPSR C flag. The contents of Rm are used directly as the second operand.

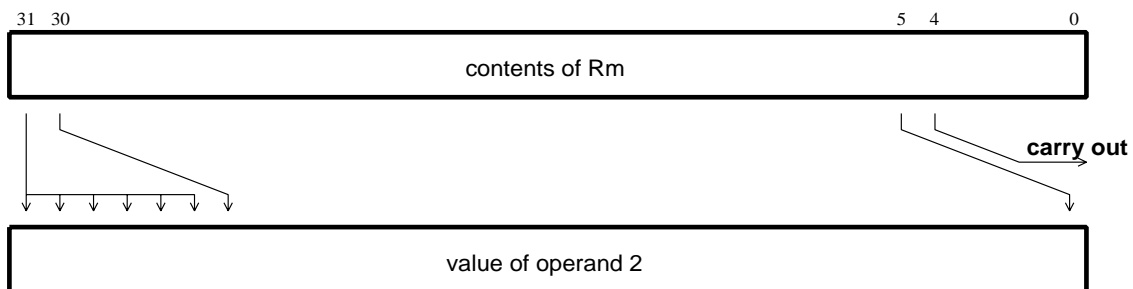
A logical shift right (LSR) is similar, but the contents of Rm are moved to less significant positions in the result. LSR #5 has the effect shown in *Figure 11: Logical Shift Right*.



**Figure 11: Logical Shift Right**

The form of the shift field which might be expected to correspond to LSR #0 is used to encode LSR #32, which has a zero result with bit 31 of Rm as the carry output. Logical shift right zero is redundant as it is the same as logical shift left zero, so the assembler will convert LSR #0 (and ASR #0 and ROR #0) into LSL #0, and allow LSR #32 to be specified.

An arithmetic shift right (ASR) is similar to logical shift right, except that the high bits are filled with bit 31 of Rm instead of zeros. This preserves the sign in 2's complement notation. For example, ASR #5 is shown in *Figure 12: Arithmetic Shift Right*.



**Figure 12: Arithmetic Shift Right**

The form of the shift field which might be expected to give ASR #0 is used to encode ASR #32. Bit 31 of Rm is again used as the carry output, and each bit of operand 2 is also equal to bit 31 of Rm. The result is therefore all ones or all zeros, according to the value of bit 31 of Rm.

Rotate right (ROR) operations reuse the bits which 'overshoot' in a logical shift right operation by reintroducing them at the high end of the result, in place of the zeros used to fill the high end in logical right operations. For example, ROR #5 is shown in *Figure 13: Rotate Right*.

## Instruction Set - Shifts

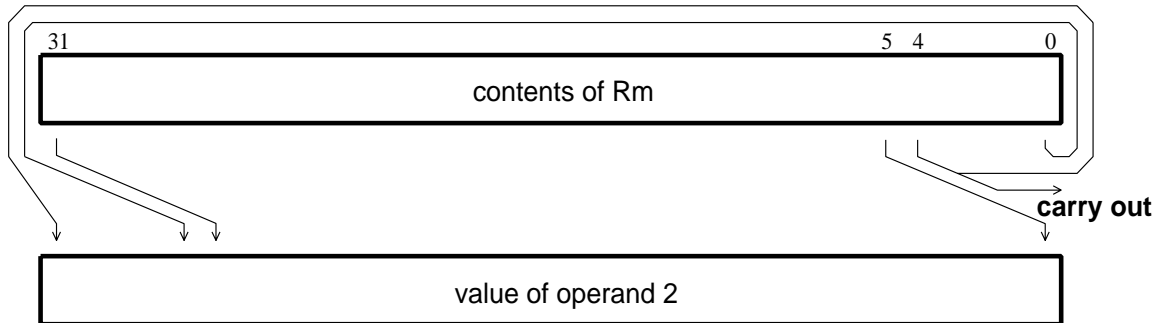


Figure 13: Rotate Right

The form of the shift field which might be expected to give ROR #0 is used to encode a special function of the barrel shifter, rotate right extended (RRX). This is a rotate right by one bit position of the 33 bit quantity formed by appending the CPSR C flag to the most significant end of the contents of Rm as shown in *Figure 14: Rotate Right Extended*.

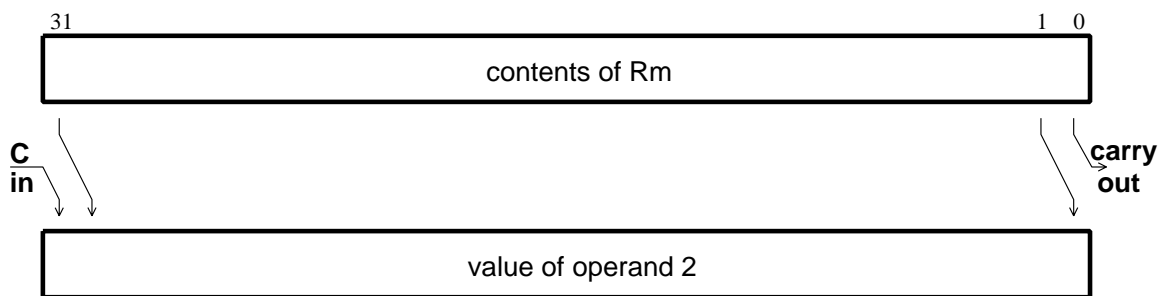


Figure 14: Rotate Right Extended

### Register specified shift amount

Only the least significant byte of the contents of Rs is used to determine the shift amount. Rs can be any general register other than R15.

If this byte is zero, the unchanged contents of Rm will be used as the second operand, and the old value of the CPSR C flag will be passed on as the shifter carry output.

If the byte has a value between 1 and 31, the shifted result will exactly match that of an instruction specified shift with the same value and shift operation.

If the value in the byte is 32 or more, the result will be a logical extension of the shift described above:

- (1) LSL by 32 has result zero, carry out equal to bit 0 of Rm.
- (2) LSL by more than 32 has result zero, carry out zero.
- (3) LSR by 32 has result zero, carry out equal to bit 31 of Rm.
- (4) LSR by more than 32 has result zero, carry out zero.

## P60ARM-B

---

- (5) ASR by 32 or more has result filled with and carry out equal to bit 31 of Rm.
- (6) ROR by 32 has result equal to Rm, carry out equal to bit 31 of Rm.
- (7) ROR by n where n is greater than 32 will give the same result and carry out as ROR by n-32; therefore repeatedly subtract 32 from n until the amount is in the range 1 to 32 and see above.

Note that the zero in bit 7 of an instruction with a register controlled shift is compulsory; a one in this bit will cause the instruction to be a multiply or undefined instruction.

### 4.4.3 Immediate operand rotates

The immediate operand rotate field is a 4 bit unsigned integer which specifies a shift operation on the 8 bit immediate value. This value is zero extended to 32 bits, and then subject to a rotate right by twice the value in the rotate field. This enables many common constants to be generated, for example all powers of 2.

### 4.4.4 Writing to R15

When Rd is a register other than R15, the condition code flags in the CPSR may be updated from the ALU flags as described above.

When Rd is R15 and the S flag in the instruction is not set the result of the operation is placed in R15 and the CPSR is unaffected.

When Rd is R15 and the S flag is set the result of the operation is placed in R15 and the SPSR corresponding to the current mode is moved to the CPSR. This allows state changes which atomically restore both PC and CPSR. This form of instruction shall not be used in User mode.

### 4.4.5 Using R15 as an operand

If R15 (the PC) is used as an operand in a data processing instruction the register is used directly.

The PC value will be the address of the instruction, plus 8 or 12 bytes due to instruction prefetching. If the shift amount is specified in the instruction, the PC will be 8 bytes ahead. If a register is used to specify the shift amount the PC will be 12 bytes ahead.

### 4.4.6 TEQ, TST, CMP & CMN opcodes

These instructions do not write the result of their operation but do set flags in the CPSR. An assembler shall always set the S flag for these instructions even if it is not specified in the mnemonic.

The TEQP form of the instruction used in earlier processors shall not be used in the 32 bit modes, the PSR transfer operations should be used instead. If used in these modes, its effect is to move SPSR\_<mode> to CPSR if the processor is in a privileged mode and to do nothing if in User mode.

### 4.4.7 Instruction Cycle Times

Data Processing instructions vary in the number of incremental cycles taken as follows:

Normal Data Processing	1S
Data Processing with register specified shift	1S + 1I



# Instruction Set - TEQ, TST, CMP & CMN

---

Data Processing with PC written	2S + 1N
Data Processing with register specified shift and PC written	2S + 1N + 1I

S, I and N are as defined in section 5.1 Cycle types on page 65.

## 4.4.8 Assembler syntax

- (1) MOV, MVN - single operand instructions  
**<opcode>{<cond>}{S} Rd, <Op2>**
- (2) CMP, CMN, TEQ, TST - instructions which do not produce a result.  
**<opcode>{<cond>} Rn, <Op2>**
- (3) AND, EOR, SUB, RSB, ADD, ADC, SBC, RSC, ORR, BIC  
**<opcode>{<cond>}{S} Rd, Rn, <Op2>**

where <Op2> is **Rm{,<shift>}** or **<#expression>**

{<cond>} - two-character condition mnemonic, see *Figure 6: Condition Codes*

{S} - set condition codes if S present (implied for CMP, CMN, TEQ, TST).

Rd, Rn and Rm are expressions evaluating to a register number.

If <#expression> is used, the assembler will attempt to generate a shifted immediate 8-bit field to match the expression. If this is impossible, it will give an error.

<shift> is <shiftname> <register> or <shiftname> #expression, or RRX (rotate right one bit with extend).

<shiftname>s are: ASL, LSL, LSR, ASR, ROR. (ASL is a synonym for LSL, they assemble to the same code.)

## 4.4.9 Examples

```
ADDEQ    R2, R4, R5           ; if the Z flag is set make R2:=R4+R5
TEQS     R4, #3              ; test R4 for equality with 3
                          ; (the S is in fact redundant as the
                          ; assembler inserts it automatically)
SUB      R4, R5, R7, LSR R2  ; logical right shift R7 by the number in
                          ; the bottom byte of R2, subtract result
                          ; from R5, and put the answer into R4
MOV      PC, R14             ; return from subroutine
MOVS     PC, R14             ; return from exception and restore CPSR
                          ; from SPSR_mode
```

## 4.5 PSR Transfer (MRS, MSR)

The instruction is only executed if the condition is true. The various conditions are defined at the beginning of this chapter.

The MRS and MSR instructions are formed from a subset of the Data Processing operations and are implemented using the TEQ, TST, CMN and CMP instructions without the S flag set. The encoding is shown in *Figure 15: PSR Transfer*.

These instructions allow access to the CPSR and SPSR registers. The MRS instruction allows the contents of the CPSR or SPSR\_<mode> to be moved to a general register. The MSR instruction allows the contents of a general register to be moved to the CPSR or SPSR\_<mode> register.

The MSR instruction also allows an immediate value or register contents to be transferred to the condition code flags (N,Z,C and V) of CPSR or SPSR\_<mode> without affecting the control bits. In this case, the top four bits of the specified register contents or 32 bit immediate value are written to the top four bits of the relevant PSR.

### 4.5.1 Operand restrictions

In User mode, the control bits of the CPSR are protected from change, so only the condition code flags of the CPSR can be changed. In other (privileged) modes the entire CPSR can be changed.

The SPSR register which is accessed depends on the mode at the time of execution. For example, only SPSR\_fiq is accessible when the processor is in FIQ mode.

R15 shall not be specified as the source or destination register.

A further restriction is that no attempt shall be made to access an SPSR in User mode, since no such register exists.

# Instruction Set - MRS, MSR

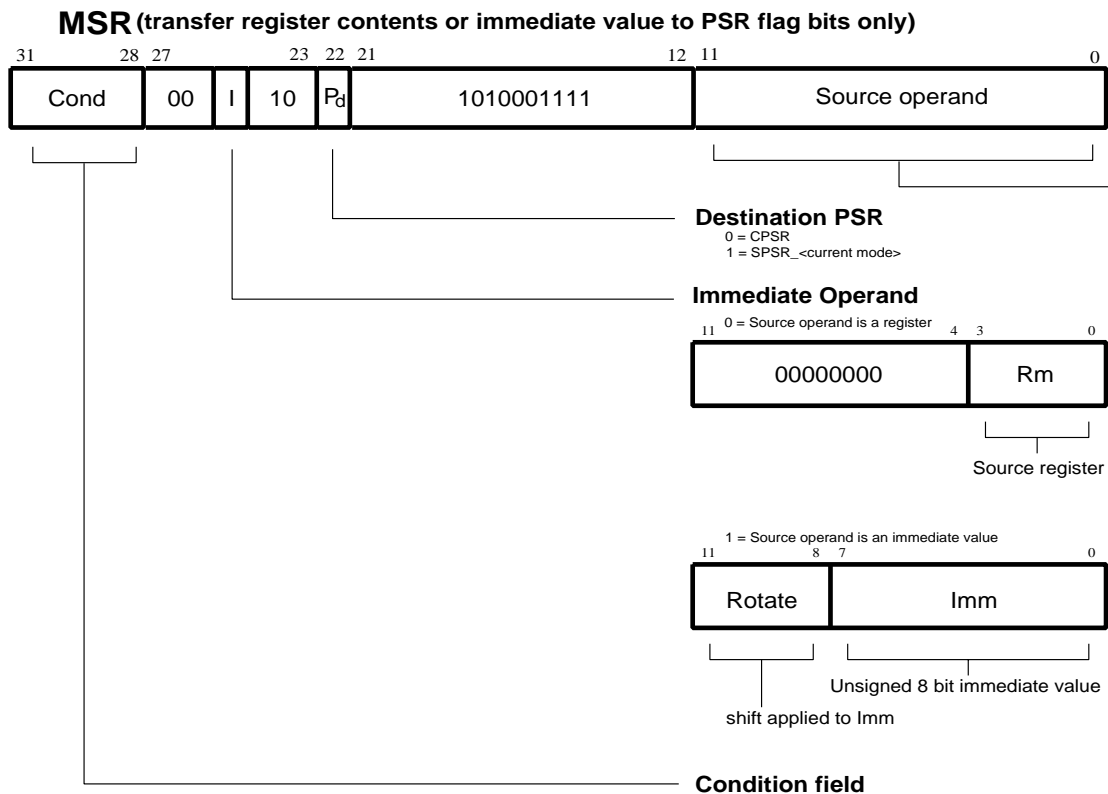
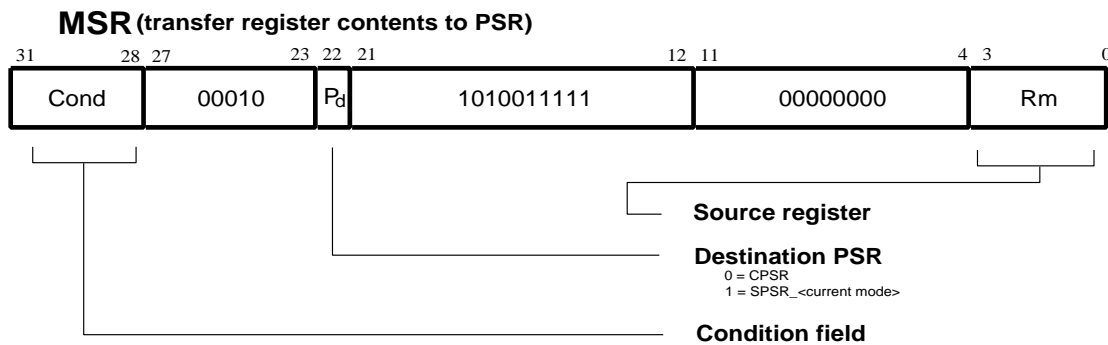
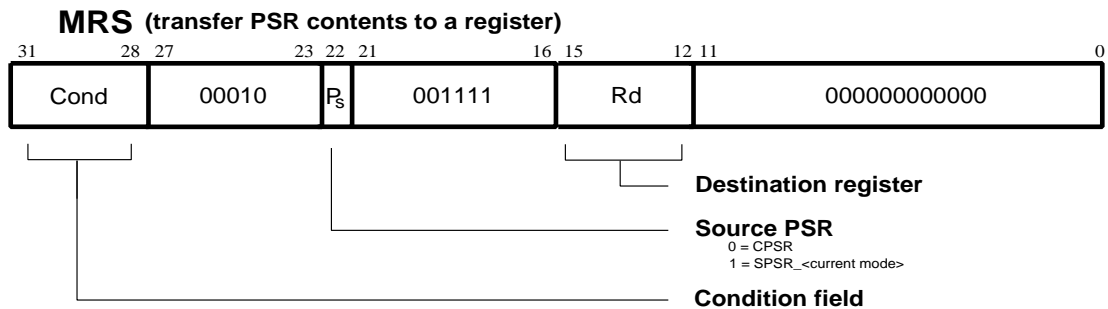


Figure 15: PSR Transfer

# P60ARM-B

---

## 4.5.2 Reserved bits

Only eleven bits of the PSR are defined in ARM60 (N,Z,C,V,I,F & M[4:0]); the remaining bits (= PSR[27:8,5]) are reserved for use in future versions of the processor. To ensure the maximum compatibility between ARM60 programs and future processors, the following rules should be observed:

- (1) The reserved bits shall be preserved when changing the value in a PSR.
- (2) Programs shall not rely on specific values from the reserved bits when checking the PSR status, since they may read as one or zero in future processors.

A read-modify-write strategy should therefore be used when altering the control bits of any PSR register; this involves transferring the appropriate PSR register to a general register using the MRS instruction, changing only the relevant bits and then transferring the modified value back to the PSR register using the MSR instruction.

e.g. The following sequence performs a mode change:

```
MRS    R0,CPSR           ; take a copy of the CPSR
BIC    R0,R0,#0x1F      ; clear the mode bits
ORR    R0,R0,#new_mode  ; select new mode
MSR    CPSR,R0          ; write back the modified CPSR
```

When the aim is simply to change the condition code flags in a PSR, an immediate value can be written directly to the flag bits without disturbing the control bits. e.g. The following instruction sets the N,Z,C & V flags:

```
MSR    CPSR_flg,#0xF0000000 ; set all the flags regardless of
                                   ; their previous state (does not
                                   ; affect any control bits)
```

No attempt shall be made to write an 8 bit immediate value into the whole PSR since such an operation cannot preserve the reserved bits.

## 4.5.3 Instruction Cycle Times

PSR Transfers take 1S incremental cycles, where S is as defined in section 5.1 Cycle types on page 65.

## 4.5.4 Assembler syntax

- (1) MRS - transfer PSR contents to a register  
**MRS{cond} Rd,<psr>**
- (2) MSR - transfer register contents to PSR  
**MSR{cond} <psr>,Rm**
- (3) MSR - transfer register contents to PSR flag bits only  
**MSR{cond} <psrf>,Rm**

The most significant four bits of the register contents are written to the N,Z,C & V flags respectively.

# Instruction Set - MRS, MSR

---

- (4) MSR - transfer immediate value to PSR flag bits only

**MSR{cond} <psrf>,<#expression>**

The expression should symbolise a 32 bit value of which the most significant four bits are written to the N,Z,C & V flags respectively.

{cond} - two-character condition mnemonic, see *Figure 6: Condition Codes*

Rd and Rm are expressions evaluating to a register number other than R15

<psrf> is CPSR, CPSR\_all, SPSR or SPSR\_all. (CPSR and CPSR\_all are synonyms as are SPSR and SPSR\_all)

<psrf> is CPSR\_flg or SPSR\_flg

Where <#expression> is used, the assembler will attempt to generate a shifted immediate 8-bit field to match the expression. If this is impossible, it will give an error.

## 4.5.5 Examples

In User mode the instructions behave as follows:

```
MSR      CPSR_all,Rm           ; CPSR[31:28] <- Rm[31:28]
MSR      CPSR_flg,Rm          ; CPSR[31:28] <- Rm[31:28]

MSR      CPSR_flg,#0xA0000000 ; CPSR[31:28] <- 0xA
                                   ; (i.e. set N,C; clear Z,V)

MRS      Rd,CPSR              ; Rd[31:0] <- CPSR[31:0]
```

In privileged modes the instructions behave as follows:

```
MSR      CPSR_all,Rm           ; CPSR[31:0] <- Rm[31:0]
MSR      CPSR_flg,Rm          ; CPSR[31:28] <- Rm[31:28]

MSR      CPSR_flg,#0x50000000 ; CPSR[31:28] <- 0x5
                                   ; (i.e. set Z,V; clear N,C)

MRS      Rd,CPSR              ; Rd[31:0] <- CPSR[31:0]

MSR      SPSR_all,Rm           ; SPSR_<mode>[31:0] <- Rm[31:0]
MSR      SPSR_flg,Rm          ; SPSR_<mode>[31:28] <- Rm[31:28]

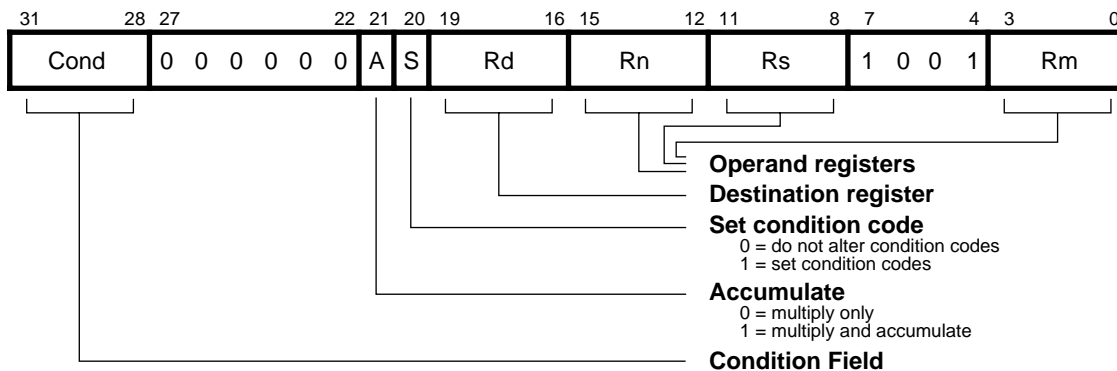
MSR      SPSR_flg,#0xC0000000 ; SPSR_<mode>[31:28] <- 0xC
                                   ; (i.e. set N,Z; clear C,V)

MRS      Rd,SPSR              ; Rd[31:0] <- SPSR_<mode>[31:0]
```

## 4.6 Multiply and Multiply-Accumulate (MUL, MLA)

The instruction is only executed if the condition is true. The various conditions are defined at the beginning of this chapter. The instruction encoding is shown in *Figure 16: Multiply Instructions*.

The multiply and multiply-accumulate instructions use a 2 bit Booth's algorithm to perform integer multiplication. They give the least significant 32 bits of the product of two 32 bit operands, and may be used to synthesize higher precision multiplications.



**Figure 16: Multiply Instructions**

The multiply form of the instruction gives  $Rd := Rm * Rs$ .  $Rn$  is ignored, and should be set to zero for compatibility with possible future upgrades to the instruction set.

The multiply-accumulate form gives  $Rd := Rm * Rs + Rn$ , which can save an explicit ADD instruction in some circumstances.

Both forms of the instruction work on operands which may be considered as signed (2's complement) or unsigned integers.

### 4.6.1 Operand restrictions

Due to the way multiplication is implemented, certain combinations of operand registers should be avoided. (The assembler will issue a warning if these restrictions are overlooked.)

The destination register ( $Rd$ ) should not be the same as the  $Rm$  operand register, as  $Rd$  is used to hold intermediate values and  $Rm$  is used repeatedly during the multiply. A MUL will give a zero result if  $Rm = Rd$ , and a MLA will give a meaningless result.  $R15$  shall not be used as an operand or as the destination register.

All other register combinations will give correct results, and  $Rd$ ,  $Rn$  and  $Rs$  may use the same register when required.

## 4.6.2 CPSR flags

Setting the CPSR flags is optional, and is controlled by the S bit in the instruction. The N (Negative) and Z (Zero) flags are set correctly on the result (N is made equal to bit 31 of the result, and Z is set if and only if the result is zero). The C (Carry) flag is set to a meaningless value and the V (oVerflow) flag is unaffected.

## 4.6.3 Instruction Cycle Times

The Multiply instructions take  $1S + mI$  incremental cycles to execute, where S and I are as defined in section 5.1 Cycle types on page 65.

$m$  is the number of cycles required by the multiply algorithm, which is determined by the contents of Rs. Multiplication by any number between  $2^{(2m-3)}$  and  $2^{(2m-1)}-1$  takes  $1S+mI$   $m$  cycles for  $1 < m < 16$ . Multiplication by 0 or 1 takes  $1S+1I$  cycles, and multiplication by any number greater than or equal to  $2^{(29)}$  takes  $1S+16I$  cycles. The maximum time for any multiply is thus  $1S+16I$  cycles.

## 4.6.4 Assembler syntax

**MUL{cond}{S} Rd,Rm,Rs**

**MLA{cond}{S} Rd,Rm,Rs,Rn**

{cond} - two-character condition mnemonic, see *Figure 6: Condition Codes*

{S} - set condition codes if S present

Rd, Rm, Rs and Rn are expressions evaluating to a register number other than R15.

## 4.6.5 Examples

```
MUL      R1,R2,R3          ; R1:=R2*R3
MLAEQS   R1,R2,R3,R4      ; conditionally R1:=R2*R3+R4,
                          ; setting condition codes
```

## 4.7 Single data transfer (LDR, STR)

The instruction is only executed if the condition is true. The various conditions are defined at the beginning of this chapter. The instruction encoding is shown in *Figure 17: Single Data Transfer Instructions*.

The single data transfer instructions are used to load or store single bytes or words of data. The memory address used in the transfer is calculated by adding an offset to or subtracting an offset from a base register. The result of this calculation may be written back into the base register if 'auto-indexing' is required.

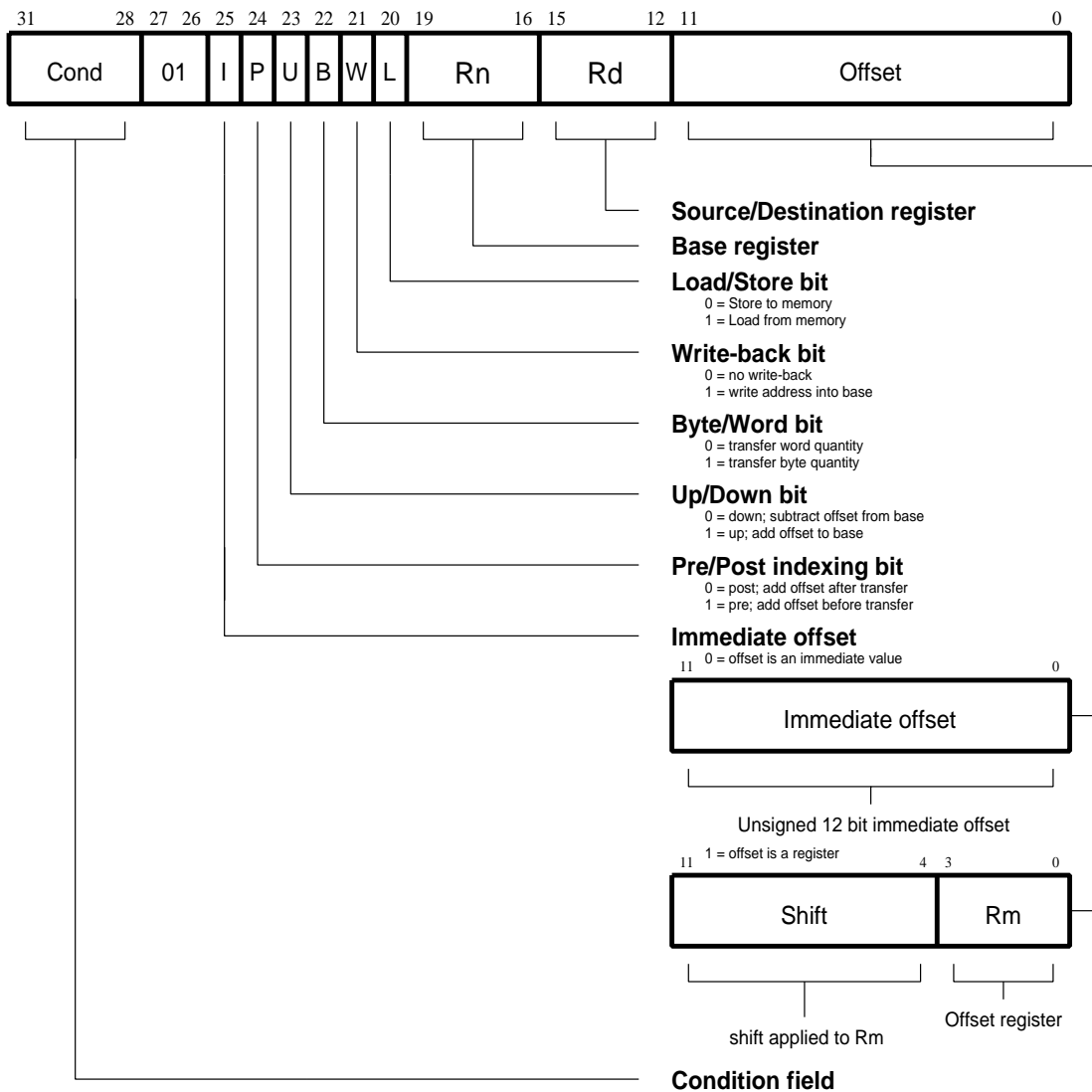


Figure 17: Single Data Transfer Instructions



## 4.7.1 Offsets and auto-indexing

The offset from the base may be either a 12 bit unsigned binary immediate value in the instruction, or a second register (possibly shifted in some way). The offset may be added to (U=1) or subtracted from (U=0) the base register Rn. The offset modification may be performed either before (pre-indexed, P=1) or after (post-indexed, P=0) the base is used as the transfer address.

The W bit gives optional auto increment and decrement addressing modes. The modified base value may be written back into the base (W=1), or the old base value may be kept (W=0). In the case of post-indexed addressing, the write back bit is redundant and is always set to zero, since the old base value can be retained by setting the offset to zero. Therefore post-indexed data transfers always write back the modified base. The only use of the W bit in a post-indexed data transfer is in privileged mode code, where setting the W bit forces non-privileged mode for the transfer, allowing the operating system to generate a user address in a system where the memory management hardware makes suitable use of this hardware.

## 4.7.2 Shifted register offset

The 8 shift control bits are described in the data processing instructions section. However, the register specified shift amounts are not available in this instruction class. See 4.4.2 *Shifts*.

## 4.7.3 Bytes and words

This instruction class may be used to transfer a byte (B=1) or a word (B=0) between an ARM60 register and memory.

The action of LDR(B) and STR(B) instructions is influenced by the **BIGEND** control signal. The two possible configurations are described below.

### Little Endian Configuration

A byte load (LDRB) expects the data on data bus inputs 7 through 0 if the supplied address is on a word boundary, on data bus inputs 15 through 8 if it is a word address plus one byte, and so on. The selected byte is placed in the bottom 8 bits of the destination register, and the remaining bits of the register are filled with zeros.

A byte store (STRB) repeats the bottom 8 bits of the source register four times across data bus outputs 31 through 0. The external memory system should activate the appropriate byte subsystem to store the data.

A word load (LDR) will normally use a word aligned address. However, an address offset from a word boundary will cause the data to be rotated into the register so that the addressed byte occupies bits 0 to 7. This means that half-words accessed at offsets 0 and 2 from the word boundary will be correctly loaded into bits 0 through 15 of the register. Two shift operations are then required to clear or to sign extend the upper 16 bits.

A word store (STR) should generate a word aligned address. The word presented to the data bus is not affected if the address is not word aligned. That is, bit 31 of the register being stored always appears on data bus output 31.

# P60ARM-B

---

## Big Endian Configuration

A byte load (LDRB) expects the data on data bus inputs 31 through 24 if the supplied address is on a word boundary, on data bus inputs 23 through 16 if it is a word address plus one byte, and so on. The selected byte is placed in the bottom 8 bits of the destination register and the remaining bits of the register are filled with zeros.

A byte store (STRB) repeats the bottom 8 bits of the source register four times across data bus outputs 31 through 0. The external memory system should activate the appropriate byte subsystem to store the data.

A word load (LDR) should generate a word aligned address. An address offset of 0 or 2 from a word boundary will cause the data to be rotated into the register so that the addressed byte occupies bits 31 through 24. This means that half-words accessed at these offsets will be correctly loaded into bits 16 through 31 of the register. A shift operation is then required to move (and optionally sign extend) the data into the bottom 16 bits. An address offset of 1 or 3 from a word boundary will cause the data to be rotated into the register so that the addressed byte occupies bits 15 through 8.

A word store (STR) should generate a word aligned address. The word presented to the data bus is not affected if the address is not word aligned. That is, bit 31 of the register being stored always appears on data bus output 31.

## 4.7.4 Use of R15

Write-back shall not be specified if R15 is specified as the base register (Rn). When using R15 as the base register you must remember it contains an address 8 bytes on from the address of the current instruction.

R15 shall not be specified as the register offset (Rm).

When R15 is the source register (Rd) of a register store (STR) instruction, the stored value will be address of the instruction plus 12.

## 4.7.5 Restriction on the use of base register

When configured for late aborts, the following example code is difficult to unwind as the base register, Rn, gets updated before the abort handler starts. Sometimes it may be impossible to calculate the initial value.

For example:

```
LDR    R0, [R1], R1
```

```
<LDR|STR> Rd, [Rn],{+/-}Rn{,<shift>}
```

Therefore a post-indexed LDR|STR where Rm is the same register as Rn shall not be used.

## 4.7.6 Data Aborts

A transfer to or from a legal address may cause problems for a memory management system. For instance, in a system which uses virtual memory the required data may be absent from main memory. The memory manager can signal a problem by taking the processor ABORT input HIGH whereupon the Data Abort trap will be taken. It is up to the system software to resolve the cause of the problem, then the instruction can be restarted and the original program continued.

ARM60 supports two types of Data Abort processing depending on the **LATEABT** control signal. When set for Early Aborts, any base register write-back which would have occurred is prevented in the event of an abort. When configured for Late Aborts, this write-back is allowed to take place and the Abort handler must correct this before allowing the instruction to be re-executed.

## 4.7.7 Instruction Cycle Times

Normal LDR instructions take  $1S + 1N + 1I$  and LDR PC take  $2S + 2N + 1I$  incremental cycles, where S,N and I are as defined in section 5.1 Cycle types on page 65.

STR instructions take  $2N$  incremental cycles to execute.

## 4.7.8 Assembler syntax

**<LDR | STR>{cond}{B}{T} Rd,<Address>**

LDR - load from memory into a register

STR - store from a register into memory

{cond} - two-character condition mnemonic, see *Figure 6: Condition Codes*

{B} - if B is present then byte transfer, otherwise word transfer

{T} - if T is present the W bit will be set in a post-indexed instruction, forcing non-privileged mode for the transfer cycle. T is not allowed when a pre-indexed addressing mode is specified or implied.

Rd is an expression evaluating to a valid register number.

<Address> can be:

- (i) An expression which generates an address:

**<expression>**

The assembler will attempt to generate an instruction using the PC as a base and a corrected immediate offset to address the location given by evaluating the expression. This will be a PC relative, pre-indexed address. If the address is out of range, an error will be generated.

- (ii) A pre-indexed addressing specification:

**[Rn]** offset of zero

**[Rn,<#expression>](!)** offset of <expression> bytes

## P60ARM-B

---

[Rn,{+/-}Rm{,<shift>}]{!} offset of +/- contents of index register, shifted by <shift>

(iii) A post-indexed addressing specification:

[Rn],<#expression> offset of <expression> bytes

[Rn]{+/-}Rm{,<shift>} offset of +/- contents of index register, shifted as by <shift>.

Rn and Rm are expressions evaluating to a register number. If Rn is R15 then the assembler will subtract 8 from the offset value to allow for ARM60 pipelining. In this case base write-back shall not be specified.

<shift> is a general shift operation (see section on data processing instructions) but note that the shift amount may not be specified by a register.

{!} writes back the base register (set the W bit) if ! is present.

### 4.7.9 Examples

```
STR    R1,[R2,R4]!           ; store R1 at R2+R4 (both of which are
                             ; registers) and write back address to R2

STR    R1,[R2],R4           ; store R1 at R2 and write back
                             ; R2+R4 to R2

LDR    R1,[R2,#16]         ; load R1 from contents of R2+16
                             ; Don't write back

LDR    R1,[R2,R3,LSL#2]    ; load R1 from contents of R2+R3*4

LDREQB R1,[R6,#5]         ; conditionally load byte at R6+5 into
                             ; R1 bits 0 to 7, filling bits 8 to 31
                             ; with zeros

STR    R1,PLACE           ; generate PC relative offset to address
    .                       ; PLACE
    .

PLACE
```

## 4.8 Block data transfer (LDM, STM)

The instruction is only executed if the condition is true. The various conditions are defined at the beginning of this chapter. The instruction encoding is shown in *Figure 18: Block Data Transfer Instructions*.

Block data transfer instructions are used to load (LDM) or store (STM) any subset of the currently visible registers. They support all possible stacking modes, maintaining full or empty stacks which can grow up or down memory, and are very efficient instructions for saving or restoring context, or for moving large blocks of data around main memory.

### 4.8.1 The register list

The instruction can cause the transfer of any registers in the current bank (and non-user mode programs can also transfer to and from the user bank, see below). The register list is a 16 bit field in the instruction, with each bit corresponding to a register. A 1 in bit 0 of the register field will cause R0 to be transferred, a 0 will cause it not to be transferred; similarly bit 1 controls the transfer of R1, and so on.

Any subset of the registers, or all the registers, may be specified. The only restriction is that the register list should not be empty.

Whenever R15 is stored to memory the stored value is the address of the STM instruction plus 12.

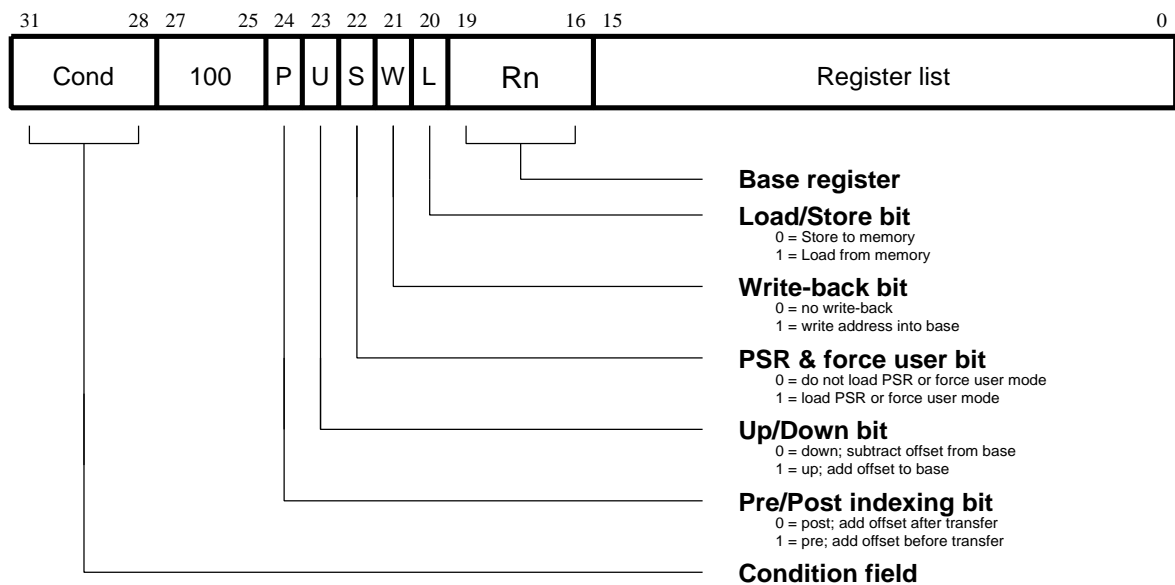


Figure 18: Block Data Transfer Instructions

### 4.8.2 Addressing modes

The transfer addresses are determined by the contents of the base register (Rn), the pre/post bit (P) and the up/down bit (U). The registers are transferred in the order lowest to highest, so R15 (if in the list) will always be transferred last. The lowest register also gets transferred to/from the lowest memory address. By way of illustration, consider the transfer of R1, R5 and R7 in the case where Rn=0x1000 and write back of

# P60ARM-B

---

the modified base is required ( $W=1$ ). *Figure 19: Post-increment addressing, Figure 20: Pre-increment addressing, Figure 21: Post-decrement addressing and Figure 22: Pre-decrement addressing* show the sequence of register transfers, the addresses used, and the value of  $R_n$  after the instruction has completed.

In all cases, had write back of the modified base not been required ( $W=0$ ),  $R_n$  would have retained its initial value of  $0x1000$  unless it was also in the transfer list of a load multiple register instruction, when it would have been overwritten with the loaded value.

## 4.8.3 Address Alignment

The address should normally be a word aligned quantity and non-word aligned addresses do not affect the instruction. However, the bottom 2 bits of the address will appear on  $A[1:0]$  and might be interpreted by the memory system.

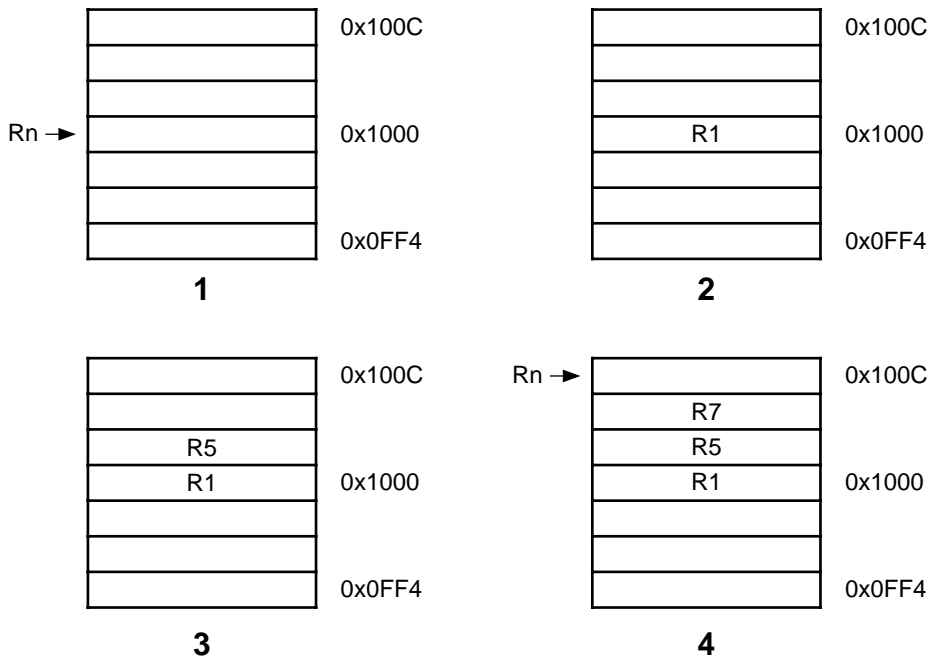


Figure 19: Post-increment addressing

# Instruction Set - LDM, STM

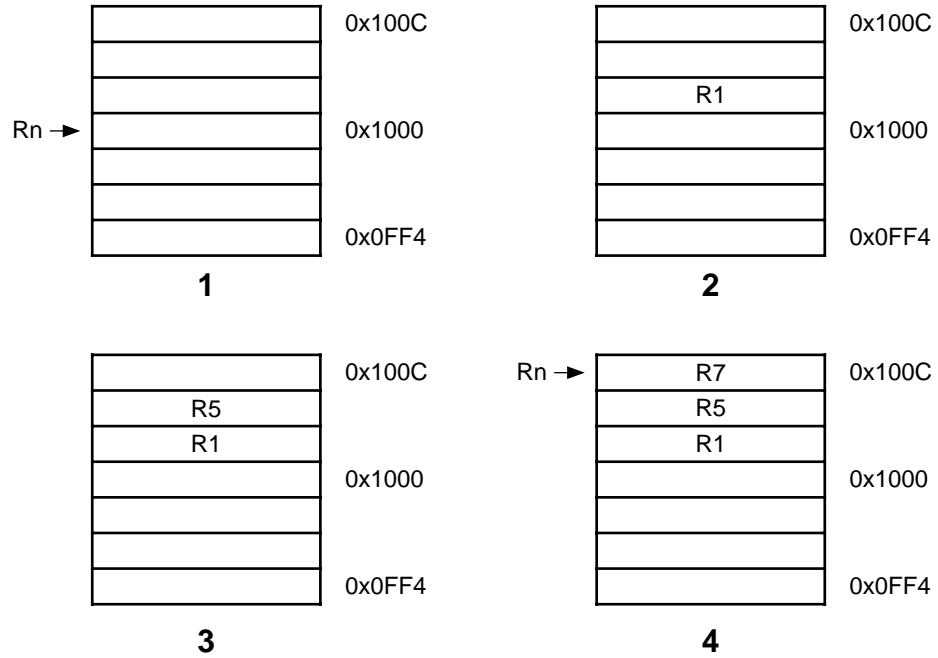


Figure 20: Pre-increment addressing

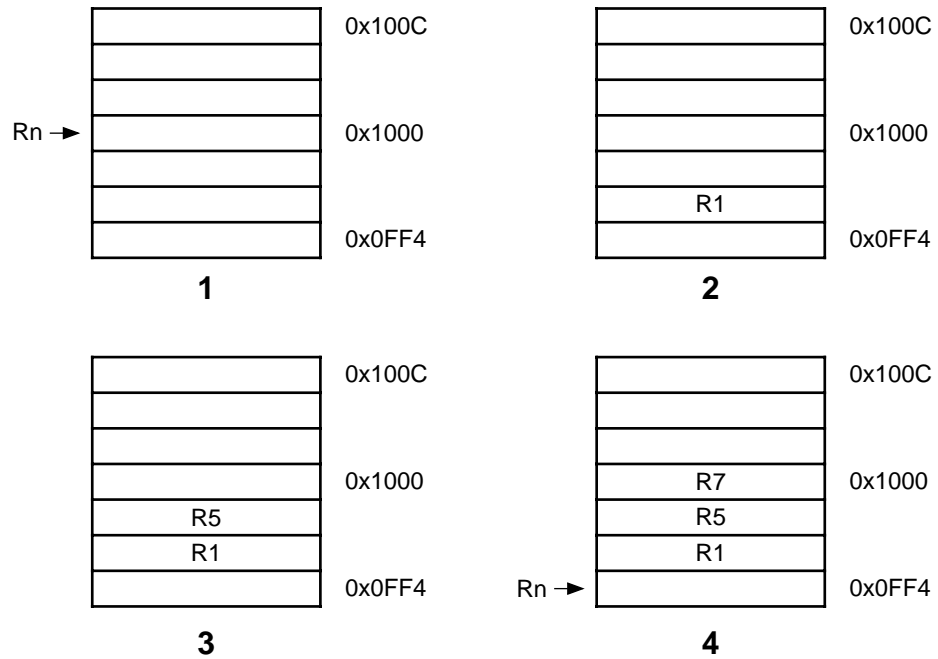


Figure 21: Post-decrement addressing

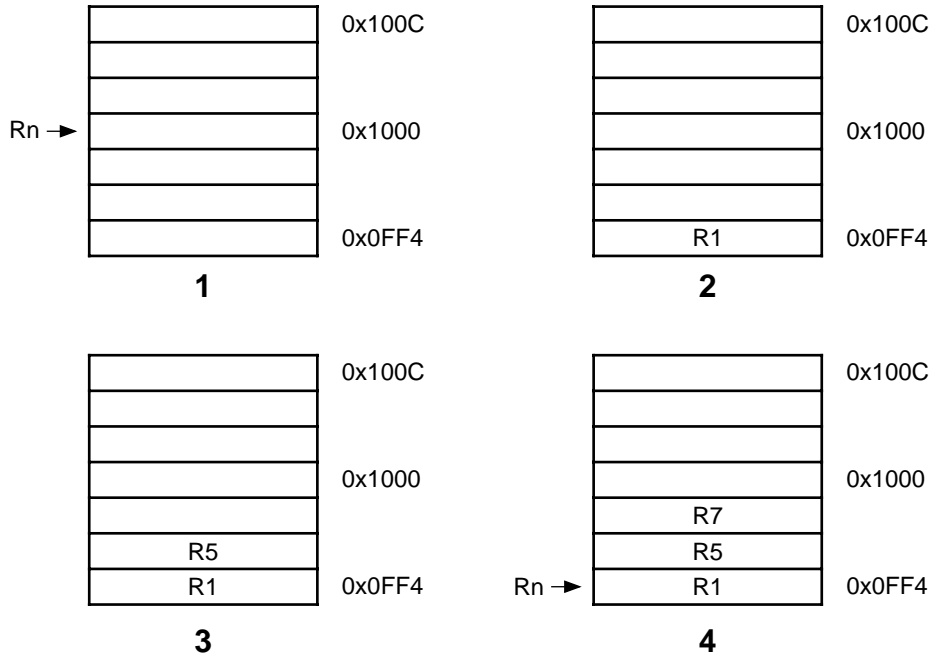


Figure 22: Pre-decrement addressing

## 4.8.4 Use of the S bit

When the S bit is set in a LDM/STM instruction its meaning depends on whether or not R15 is in the transfer list and on the type of instruction. The S bit should only be set if the instruction is to execute in a privileged mode.

### LDM with R15 in transfer list and S bit set (Mode changes)

If the instruction is a LDM then SPSR\_<mode> is transferred to CPSR at the same time as R15 is loaded.

### STM with R15 in transfer list and S bit set (User bank transfer)

The registers transferred are taken from the User bank rather than the bank corresponding to the current mode. This is useful for saving the user state on process switches. Base write-back shall not be used when this mechanism is employed.

### R15 not in list and S bit set (User bank transfer)

For both LDM and STM instructions, the User bank registers are transferred rather than the register bank corresponding to the current mode. This is useful for saving the user state on process switches. Base write-back shall not be used when this mechanism is employed.

When the instruction is LDM, care must be taken not to read from a banked register during the following cycle (inserting a NOP after the LDM will ensure safety).



## 4.8.5 Use of R15 as the base

R15 shall not be used as the base register in any LDM or STM instruction.

## 4.8.6 Inclusion of the base in the register list

When write-back is specified, the base is written back at the end of the second cycle of the instruction. During a STM, the first register is written out at the start of the second cycle. A STM which includes storing the base, with the base as the first register to be stored, will therefore store the unchanged value, whereas with the base second or later in the transfer order, will store the modified value. A LDM will always overwrite the updated base if the base is in the list.

## 4.8.7 Data Aborts

Some legal addresses may be unacceptable to a memory management system, and the memory manager can indicate a problem with an address by taking the **ABORT** signal HIGH. This can happen on any transfer during a multiple register load or store, and must be recoverable if ARM60 is to be used in a virtual memory system.

The state of the **LATEABT** control signal does not affect the behaviour of LDM and STM instructions in the event of a memory abort exception.

### Aborts during STM instructions

If the abort occurs during a store multiple instruction, ARM60 takes little action until the instruction completes, whereupon it enters the data abort trap. The memory manager is responsible for preventing erroneous writes to the memory. The only change to the internal state of the processor will be the modification of the base register if write-back was specified, and this must be reversed by software (and the cause of the abort resolved) before the instruction may be retried.

### Aborts during LDM instructions

When ARM60 detects a data abort during a load multiple instruction, it modifies the operation of the instruction to ensure that recovery is possible.

- (i) Overwriting of registers stops when the abort happens. The aborting load will not take place but earlier ones may have overwritten registers. The PC is always the last register to be written and so will always be preserved.
- (ii) The base register is restored, to its modified value if write-back was requested. This ensures recoverability in the case where the base register is also in the transfer list, and may have been overwritten before the abort occurred.

The data abort trap is taken when the load multiple has completed, and the system software must undo any base modification (and resolve the cause of the abort) before restarting the instruction.

## 4.8.8 Instruction Cycle Times

Normal LDM instructions take  $nS + 1N + 1I$  and LDM PC takes  $(n+1)S + 2N + 1I$  incremental cycles, where S, N and I are as defined in section 5.1 Cycle types on page 65.

# P60ARM-B

---

STM instructions take  $(n-1)S + 2N$  incremental cycles to execute.

$n$  is the number of words transferred.

## 4.8.9 Assembler syntax

`<LDM|STM>{cond}<FD|ED|FA|EA|IA|IB|DA|DB> Rn{!},<Rlist>{^}`

{cond} - two character condition mnemonic, see *Figure 6: Condition Codes*

Rn is an expression evaluating to a valid register number

<Rlist> is a list of registers and register ranges enclosed in {} (eg {R0,R2-R7,R10}).

{!} if present requests write-back (W=1), otherwise W=0

{^} if present set S bit to load the CPSR along with the PC, or force transfer of user bank when in privileged mode

### Addressing mode names

There are different assembler mnemonics for each of the addressing modes, depending on whether the instruction is being used to support stacks or for other purposes. The equivalences between the names and the values of the bits in the instruction are shown in the following table:

name	stack	other	L bit	P bit	U bit
pre-increment load	LDMED	LDMIB	1	1	1
post-increment load	LDMFD	LDMIA	1	0	1
pre-decrement load	LDMEA	LDMDB	1	1	0
post-decrement load	LDMFA	LDMDA	1	0	0
pre-increment store	STMFA	STMIB	0	1	1
post-increment store	STMEA	STMIA	0	0	1
pre-decrement store	STMFD	STMDB	0	1	0
post-decrement store	STMED	STMDA	0	0	0

Table 5: Addressing Mode Names

FD, ED, FA, EA define pre/post indexing and the up/down bit by reference to the form of stack required. The F and E refer to a “full” or “empty” stack, i.e. whether a pre-index has to be done (full) before storing to the stack. The A and D refer to whether the stack is ascending or descending. If ascending, a STM will go up and LDM down, if descending, vice-versa.

## Instruction Set - LDM, STM

---

IA, IB, DA, DB allow control when LDM/STM are not being used for stacks and simply mean Increment After, Increment Before, Decrement After, Decrement Before.

### 4.8.10 Examples

```
LDMFD    SP!, {R0,R1,R2}      ; unstack 3 registers

STMIA    R0, {R0-R15}        ; save all registers

LDMFD    SP!, {R15}          ; R15 <- (SP), CPSR unchanged
LDMFD    SP!, {R15}^        ; R15 <- (SP), CPSR <- SPSR_mode (allowed
                             ; only in privileged modes)

STMFD    R13, {R0-R14}^     ; Save user mode regs on stack (allowed
                             ; only in privileged modes)
```

These instructions may be used to save state on subroutine entry, and restore it efficiently on return to the calling routine:

```
STMED    SP!, {R0-R3,R14}    ; save R0 to R3 to use as workspace
                             ; and R14 for returning

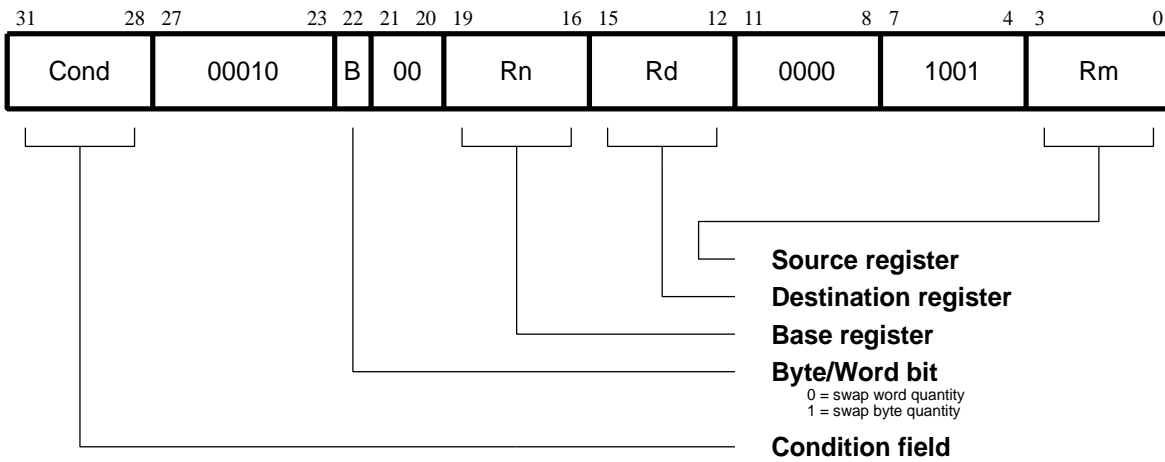
BL       somewhere          ; this nested call will overwrite R14

LDMED    SP!, {R0-R3,R15}    ; restore workspace and return
```

## 4.9 Single data swap (SWP)

The instruction is only executed if the condition is true. The various conditions are defined at the beginning of this chapter. The instruction encoding is shown in *Figure 23: Swap Instruction*.

The data swap instruction is used to swap a byte or word quantity between a register and external memory. This instruction is implemented as a memory read followed by a memory write which are “locked” together (the processor cannot be interrupted until both operations have completed, and the memory manager is warned to treat them as inseparable). This class of instruction is particularly useful for implementing software semaphores. )



**Figure 23: Swap Instruction**

The swap address is determined by the contents of the base register (Rn). The processor first reads the contents of the swap address. Then it writes the contents of the source register (Rm) to the swap address, and stores the old memory contents in the destination register (Rd). The same register may be specified as both the source and destination.

The **LOCK** output goes HIGH for the duration of the read and write operations to signal to the external memory manager that they are locked together, and should be allowed to complete without interruption. This is important in multi-processor systems where the swap instruction is the only indivisible instruction which may be used to implement semaphores; control of the memory must not be removed from a processor while it is performing a locked operation.

### 4.9.1 Bytes and words

This instruction class may be used to swap a byte (B=1) or a word (B=0) between an ARM60 register and memory. The SWP instruction is implemented as a LDR followed by a STR and the action of these is as described in the section on single data transfers. In particular, the description of Big and Little Endian configuration applies to the SWP instruction.

### 4.9.2 Use of R15

R15 shall not be used as an operand (Rd, Rn or Rs) in a SWP instruction.

## 4.9.3 Data Aborts

If the address used for the swap is unacceptable to a memory management system, the internal MMU or external memory manager can flag the problem by driving ABORT HIGH. This can happen on either the read or the write cycle (or both), and in either case, the Data Abort trap will be taken. It is up to the system software to resolve the cause of the problem, then the instruction can be restarted and the original program continued.

Because no base register write-back is allowed, the behaviour of an aborted SWP instruction is the same regardless of the state of the LATEABT control signal.

## 4.9.4 Instruction Cycle Times

Swap instructions take  $1S + 2N + 1I$  incremental cycles to execute, where S, N and I are as defined in section 5.1 Cycle types on page 65.

## 4.9.5 Assembler syntax

`<SWP>{cond}{B} Rd,Rm,[Rn]`

{cond} - two-character condition mnemonic, see *Figure 6: Condition Codes*

{B} - if B is present then byte transfer, otherwise word transfer

Rd,Rm,Rn are expressions evaluating to valid register numbers

## 4.9.6 Examples

```
SWP      R0,R1,[R2]      ; load R0 with the contents of R2, and
                        ; store R1 at R2

SWPB     R2,R3,[R4]      ; load R2 with the byte at R4, and
                        ; store bits 0 to 7 of R3 at R4

SWPEQ    R0,R0,[R1]      ; conditionally swap the contents of R1
                        ; with R0
```

## 4.10 Software interrupt (SWI)

The instruction is only executed if the condition is true. The various conditions are defined at the beginning of this chapter. The instruction encoding is shown in *Figure 24: Software Interrupt Instruction*.

The software interrupt instruction is used to enter Supervisor mode in a controlled manner. The instruction causes the software interrupt trap to be taken, which effects the mode change. The PC is then forced to a fixed value (0x08) and the CPSR is saved in SPSR\_svc. If the SWI vector address is suitably protected (by external memory management hardware) from modification by the user, a fully protected operating system may be constructed.

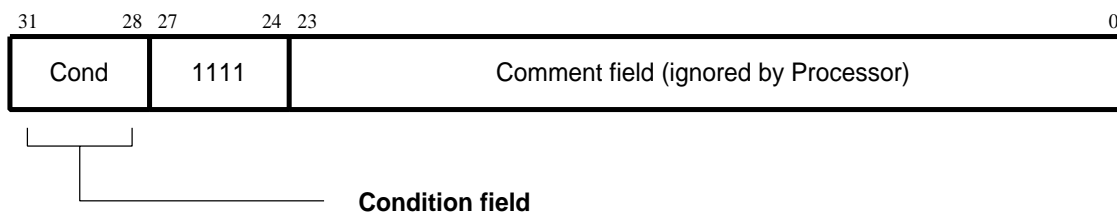


Figure 24: Software Interrupt Instruction

### 4.10.1 Return from the supervisor

The PC is saved in R14\_svc upon entering the software interrupt trap, with the PC adjusted to point to the word after the SWI instruction. MOVS PC,R14\_svc will return to the calling program and restore the CPSR.

Note that the link mechanism is not re-entrant, so if the supervisor code wishes to use software interrupts within itself it must first save a copy of the return address and SPSR.

### 4.10.2 Comment field

The bottom 24 bits of the instruction are ignored by the processor, and may be used to communicate information to the supervisor code. For instance, the supervisor may look at this field and use it to index into an array of entry points for routines which perform the various supervisor functions.

### 4.10.3 Instruction Cycle Times

Software interrupt instructions take  $2S + 1N$  incremental cycles to execute, where S and N are as defined in section 5.1 Cycle types on page 65.

### 4.10.4 Assembler syntax

SWI{cond} <expression>

{cond} - two character condition mnemonic, see *Figure 6: Condition Codes*

<expression> is evaluated and placed in the comment field (which is ignored by ARM60).

## 4.10.5 Examples

```
SWI      ReadC          ; get next character from read stream
SWI      WriteI+"k"     ; output a "k" to the write stream
SWINE    0              ; conditionally call supervisor
                          ; with 0 in comment field
```

The above examples assume that suitable supervisor code exists, for instance:

```
0x08 B Supervisor      ; SWI entry point

EntryTable              ; addresses of supervisor routines
    DCD ZeroRtn
    DCD ReadCRtn
    DCD WriteIRtn
    ...

Zero      EQU 0
ReadC     EQU 256
WriteI    EQU 512
```

Supervisor

```
; SWI has routine required in bits 8-23 and data (if any) in bits 0-7.
; Assumes R13_svc points to a suitable stack
```

```
STMFD    R13,{R0-R2,R14} ; save work registers and return address
LDR      R0,[R14,#-4]     ; get SWI instruction
BIC      R0,R0,#0xFF000000 ; clear top 8 bits
MOV      R1,R0,LSR#8      ; get routine offset
ADR      R2,EntryTable   ; get start address of entry table
LDR      R15,[R2,R1,LSL#2] ; branch to appropriate routine

WriteIRtn ; enter with character in R0 bits 0-7
    .....
LDMFD    R13,{R0-R2,R15}^ ; restore workspace and return
                          ; restoring processor mode and flags
```

## 4.11 Coprocessor data operations (CDP)

The instruction is only executed if the condition is true. The various conditions are defined at the beginning of this chapter. The instruction encoding is shown in *Figure 25: Coprocessor Data Operation Instruction*.

This class of instruction is used to tell a coprocessor to perform some internal operation. No result is communicated back to ARM60, and it will not wait for the operation to complete. The coprocessor could contain a queue of such instructions awaiting execution, and their execution can overlap other ARM60 activity allowing the coprocessor and ARM60 to perform independent tasks in parallel.

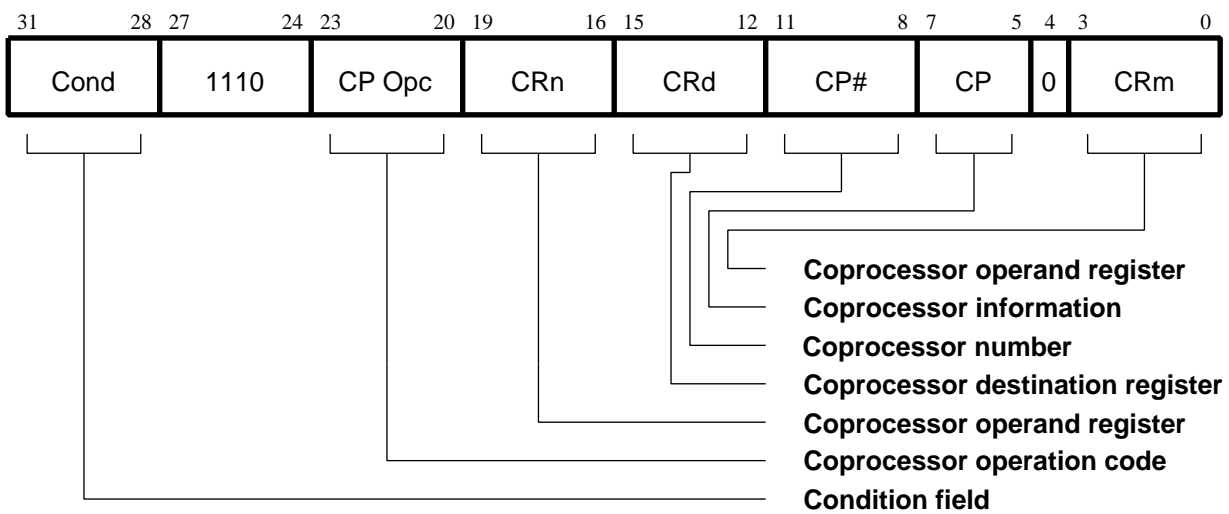


Figure 25: Coprocessor Data Operation Instruction

### 4.11.1 The Coprocessor fields

Only bit 4 and bits 24 to 31 are significant to ARM60; the remaining bits are used by coprocessors. The above field names are used by convention, and particular coprocessors may redefine the use of all fields except CP# as appropriate. The CP# field is used to contain an identifying number (in the range 0 to 15) for each coprocessor, and a coprocessor will ignore any instruction which does not contain its number in the CP# field.

The conventional interpretation of the instruction is that the coprocessor should perform an operation specified in the CP Opc field (and possibly in the CP field) on the contents of CRn and CRm, and place the result in CRd.

### 4.11.2 Instruction Cycle Times

Coprocessor data operations take  $1S + bI$  incremental cycles to execute, where S and I are as defined in section 5.1 Cycle types on page 65.

*b* is the number of cycles spent in the coprocessor busy-wait loop.



## 4.11.3 Assembler syntax

**CDP{cond} p#,<expression1>,cd,cn,cm{,<expression2>}**

{cond} - two character condition mnemonic, see *Figure 6: Condition Codes*

p# - the unique number of the required coprocessor

<expression1> - evaluated to a constant and placed in the CP Opc field

cd, cn and cm evaluate to the valid coprocessor register numbers CRd, CRn and CRm respectively

<expression2> - where present is evaluated to a constant and placed in the CP field

## 4.11.4 Examples

```
CDP      p1,10,c1,c2,c3      ; request coproc 1 to do operation 10
                          ; on CR2 and CR3, and put the result in CR1

CDPEQ    p2,5,c1,c2,c3,2     ; if Z flag is set request coproc 2 to do
                          ; operation 5 (type 2) on CR2 and CR3,
                          ; and put the result in CR1
```

## 4.12 Coprocessor data transfers (LDC, STC)

The instruction is only executed if the condition is true. The various conditions are defined at the beginning of this chapter. The instruction encoding is shown in *Figure 26: Coprocessor Data Transfer Instructions*.

This class of instruction is used to load (LDC) or store (STC) a subset of a coprocessor's registers directly to memory. ARM60 is responsible for supplying the memory address, and the coprocessor supplies or accepts the data and controls the number of words transferred.

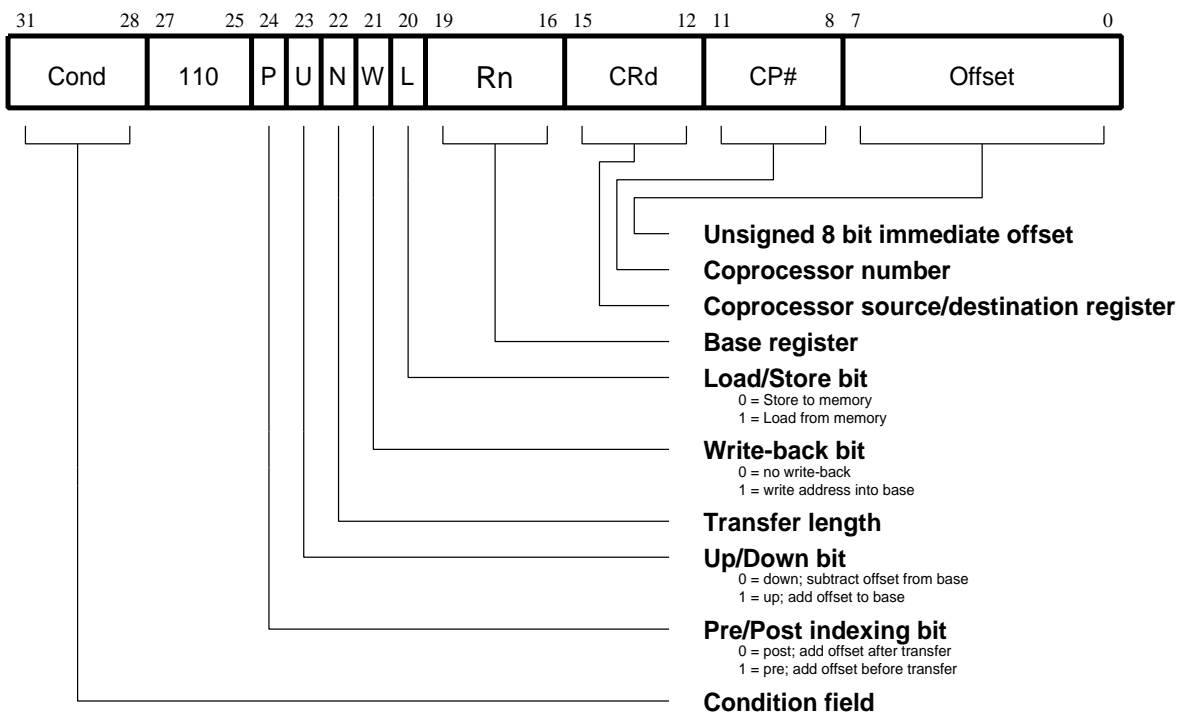


Figure 26: Coprocessor Data Transfer Instructions

### 4.12.1 The Coprocessor fields

The CP# field is used to identify the coprocessor which is required to supply or accept the data, and a coprocessor will only respond if its number matches the contents of this field.

The CRd field and the N bit contain information for the coprocessor which may be interpreted in different ways by different coprocessors, but by convention CRd is the register to be transferred (or the first register where more than one is to be transferred), and the N bit is used to choose one of two transfer length options. For instance N=0 could select the transfer of a single register, and N=1 could select the transfer of all the registers for context switching.

## 4.12.2 Addressing modes

ARM60 is responsible for providing the address used by the memory system for the transfer, and the addressing modes available are a subset of those used in single data transfer instructions. Note, however, that the immediate offsets are 8 bits wide and specify word offsets for coprocessor data transfers, whereas they are 12 bits wide and specify byte offsets for single data transfers.

The 8 bit unsigned immediate offset is shifted left 2 bits and either added to (U=1) or subtracted from (U=0) the base register (Rn); this calculation may be performed either before (P=1) or after (P=0) the base is used as the transfer address. The modified base value may be overwritten back into the base register (if W=1), or the old value of the base may be preserved (W=0). Note that post-indexed addressing modes require explicit setting of the W bit, unlike LDR and STR which always write-back when post-indexed.

The value of the base register, modified by the offset in a pre-indexed instruction, is used as the address for the transfer of the first word. The second word (if more than one is transferred) will go to or come from an address one word (4 bytes) higher than the first transfer, and the address will be incremented by one word for each subsequent transfer.

## 4.12.3 Address Alignment

The base address should normally be a word aligned quantity. The bottom 2 bits of the address will appear on A[1:0] and might be interpreted by the memory system.

## 4.12.4 Use of R15

If Rn is R15, the value used will be the address of the instruction plus 8 bytes. Base write-back to R15 shall not be specified.

## 4.12.5 Data aborts

If the address is legal but the memory manager generates an abort, the data trap will be taken. The write-back of the modified base will take place, but all other processor state will be preserved. The coprocessor is partly responsible for ensuring that the data transfer can be restarted after the cause of the abort has been resolved, and must ensure that any subsequent actions it undertakes can be repeated when the instruction is retried.

The state of the LATEABT control signal does not affect the behaviour of LDC and STC instructions in the event of an Abort exception.

## 4.12.6 Instruction Cycle Times

Coprocessor data transfer instructions take  $(n-1)S + 2N + bI$  incremental cycles to execute, where S, N and I are as defined in section 5.1 Cycle types on page 65.

*n* is the number of words transferred.

*b* is the number of cycles spent in the coprocessor busy-wait loop.

## 4.12.7 Assembler syntax

<LDC|STC>{cond}{L} p#,cd,<Address>

# P60ARM-B

---

LDC - load from memory to coprocessor

STC - store from coprocessor to memory

{L} - when present perform long transfer (N=1), otherwise perform short transfer (N=0)

{cond} - two character condition mnemonic, see *Figure 6: Condition Codes*

p# - the unique number of the required coprocessor

cd is an expression evaluating to a valid coprocessor register number that is placed in the CRd field

<Address> can be:

- (i) An expression which generates an address:

<expression>

The assembler will attempt to generate an instruction using the PC as a base and a corrected immediate offset to address the location given by evaluating the expression. This will be a PC relative, pre-indexed address. If the address is out of range, an error will be generated.

- (ii) A pre-indexed addressing specification:

[Rn] offset of zero

[Rn,<#expression>|!] offset of <expression> bytes

- (iii) A post-indexed addressing specification:

[Rn],<#expression> offset of <expression> bytes

Rn is an expression evaluating to a valid ARM60 register number. Note, if Rn is R15 then the assembler will subtract 8 from the offset value to allow for ARM60 pipelining.

!! write back the base register (set the W bit) if ! is present

## 4.12.8 Examples

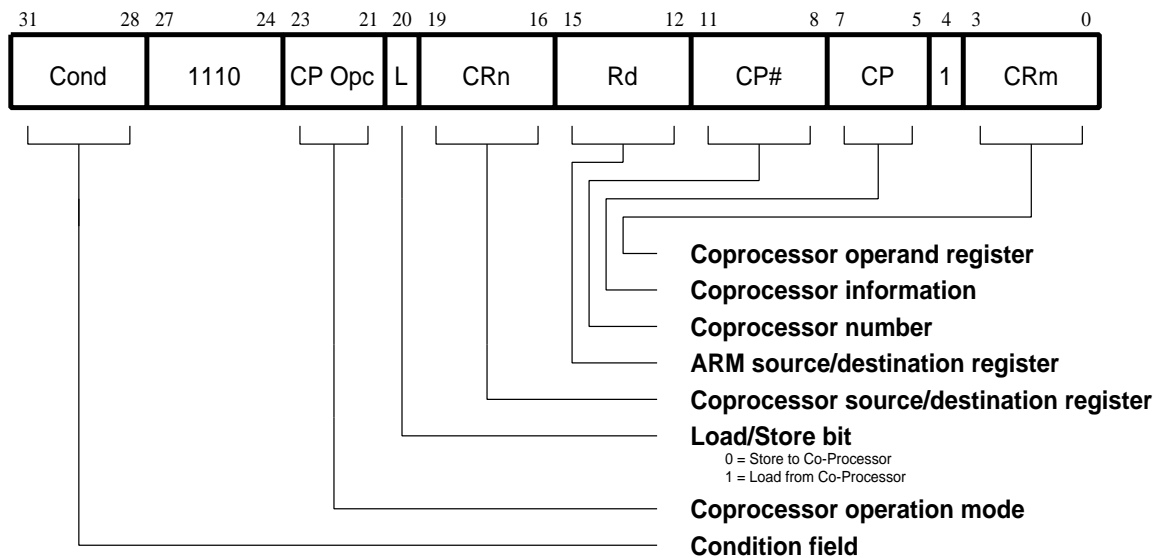
```
LDC      p1,c2,table      ; load c2 of coproc 1 from address table,
                          ; using a PC relative address.
STCEQL   p2,c3,[R5,#24]!  ; conditionally store c3 of coproc 2 into
                          ; an address 24 bytes up from R5, write this
                          ; address back to R5, and use long transfer
                          ; option (probably to store multiple words)
```

Note that though the address offset is expressed in bytes, the instruction offset field is in words. The assembler will adjust the offset appropriately.

## 4.13 Coprocessor register transfers (MRC, MCR)

This is only executed if the condition is true. The various conditions are defined at the beginning of this chapter. The instruction encoding is shown in *Figure 27: Coprocessor Register Transfer Instructions*.

This class of instruction is used to communicate information directly between ARM60 and a coprocessor. An example of a coprocessor to ARM60 register transfer (MRC) instruction would be a FIX of a floating point value held in a coprocessor, where the floating point number is converted into a 32 bit integer within the coprocessor, and the result is then transferred to an ARM60 register. A FLOAT of a 32 bit value in an ARM60 register into a floating point value within the coprocessor illustrates the use of an ARM60 register to coprocessor transfer (MCR).



**Figure 27: Coprocessor Register Transfer Instructions**

An important use of this instruction is to communicate control information directly from the coprocessor into the ARM60 CPSR flags. As an example, the result of a comparison of two floating point values within a coprocessor can be moved to the CPSR to control the subsequent flow of execution.

Note for future compatibility the ARM610 has an internal coprocessor (#15) for control of on-chip functions. Accesses to this coprocessor are performed during coprocessor register transfers.

### 4.13.1 The Coprocessor fields

The CP# field is used, as for all coprocessor instructions, to specify which coprocessor is being called upon.

The CP Opc, CRn, CP and CRm fields are used only by the coprocessor, and the interpretation presented here is derived from convention only. Other interpretations are allowed where the coprocessor functionality is incompatible with this one. The conventional interpretation is that the CP Opc and CP fields

## P60ARM-B

---

specify the operation the coprocessor is required to perform, CRn is the coprocessor register which is the source or destination of the transferred information, and CRm is a second coprocessor register which may be involved in some way which depends on the particular operation specified.

### 4.13.2 Transfers to R15

When a coprocessor register transfer to ARM60 has R15 as the destination, bits 31, 30, 29 and 28 of the transferred word are copied into the N, Z, C and V flags respectively. The other bits of the transferred word are ignored, and the PC and other CPSR bits are unaffected by the transfer.

### 4.13.3 Transfers from R15

A coprocessor register transfer from ARM60 with R15 as the source register will store the PC+12.

### 4.13.4 Instruction Cycle Times

MRC instructions take  $1S + bI + 1C$  incremental cycles to execute, where S, I and C are as defined in section 5.1 Cycle types on page 65.

MCR instructions take  $1S + (b+1)I + 1C$  incremental cycles to execute.

*b* is the number of cycles spent in the coprocessor busy-wait loop.

### 4.13.5 Assembler syntax

`<MCR | MRC>{<cond>} p#,<expression1>,Rd,cn,cm{,<expression2>}`

MRC - move from coprocessor to ARM60 register (L=1)

MCR - move from ARM60 register to coprocessor (L=0)

{<cond>} - two character condition mnemonic, see *Figure 6: Condition Codes*

p# - the unique number of the required coprocessor

<expression1> - evaluated to a constant and placed in the CP Opc field

Rd is an expression evaluating to a valid ARM60 register number

cn and cm are expressions evaluating to the valid coprocessor register numbers CRn and CRm respectively

<expression2> - where present is evaluated to a constant and placed in the CP field

### 4.13.6 Examples

```
MRC      2, 5, R3, c5, c6      ; request coproc 2 to perform operation 5
                                     ; on c5 and c6, and transfer the (single
                                     ; 32 bit word) result back to R3

MCR      6, 0, R4, c6         ; request coproc 6 to perform operation 0
                                     ; on R4 and place the result in c6
```

## Instruction Set - MRC, MCR

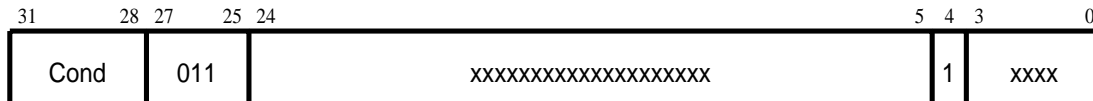
---

MRCEQ     3,9,R3,c5,c6,2     ; conditionally request coproc 3 to perform  
; operation 9 (type 2) on c5 and c6, and  
; transfer the result back to R3

## 4.14 Undefined instruction

The instruction is only executed if the condition is true. The various conditions are defined at the beginning of this chapter. The instruction format is shown in *Figure 28: Undefined Instruction*.

If the condition is true, the undefined instruction trap will be taken.



**Figure 28: Undefined Instruction**

Note that the undefined instruction mechanism involves offering this instruction to any coprocessors which may be present, and all coprocessors must refuse to accept it by driving **CPA** and **CPB** HIGH. For systems without a coprocessor, CPA and CPB must be driven HIGH at all times.

### 4.14.1 Assembler syntax

At present the assembler has no mnemonics for generating this instruction. If it is adopted in the future for some specified use, suitable mnemonics will be added to the assembler. Until such time, this instruction shall not be used.



## 4.15 Instruction Set Examples

The following examples show ways in which the basic ARM60 instructions can combine to give efficient code. None of these methods saves a great deal of execution time (although they may save some), mostly they just save code.

### 4.15.1 Using the conditional instructions

(1) using conditionals for logical OR

```
CMP      Rn,#p           ; if Rn=p OR Rm=q THEN GOTO Label
BEQ      Label
CMP      Rm,#q
BEQ      Label
```

can be replaced by

```
CMP      Rn,#p
CMPNE   Rm,#q           ; if condition not satisfied try other test
BEQ      Label
```

(2) absolute value

```
TEQ      Rn,#0           ; test sign
RSBMI   Rn,Rn,#0        ; and 2's complement if necessary
```

(3) multiplication by 4, 5 or 6 (run time)

```
MOV      Rc,Ra,LSL#2     ; multiply by 4
CMP      Rb,#5           ; test value
ADDCS   Rc,Rc,Ra         ; complete multiply by 5
ADDHI   Rc,Rc,Ra         ; complete multiply by 6
```

(4) combining discrete and range tests

```
TEQ      Rc,#127         ; discrete test
CMPNE   Rc,#"-1         ; range test
MOVLS   Rc,#"."         ; IF Rc<=" " OR Rc=ASCII(127)
                          ; THEN Rc:="."
```

(5) division and remainder

```
                          ; enter with numbers in Ra and Rb
                          ;
Div1     MOV      Rcnt,#1  ; bit to control the division
        CMP      Rb,#0x80000000 ; move Rb until greater than Ra
        CMPCC   Rb,Ra
        MOVCC   Rb,Rb,ASL#1
        MOVCC   Rcnt,Rcnt,ASL#1
```

# P60ARM-B

---

```

        BCC      Div1
        MOV      Rc, #0
Div2    CMP      Ra, Rb          ; test for possible subtraction
        SUBCS   Ra, Ra, Rb      ; subtract if ok
        ADDCS   Rc, Rc, Rcnt     ; put relevant bit into result
        MOVS   Rcnt, Rcnt, LSR#1 ; shift control bit
        MOVNE  Rb, Rb, LSR#1    ; halve unless finished
        BNE    Div2
        ;
        ; divide result in Rc
        ; remainder in Ra

```

## 4.15.2 Pseudo random binary sequence generator

It is often necessary to generate (pseudo-) random numbers and the most efficient algorithms are based on shift generators with exclusive-OR feedback rather like a cyclic redundancy check generator. Unfortunately the sequence of a 32 bit generator needs more than one feedback tap to be maximal length (i.e.  $2^{32}-1$  cycles before repetition), so this example uses a 33 bit register with taps at bits 33 and 20. The basic algorithm is `newbit:=bit 33 eor bit 20`, shift left the 33 bit number and put in newbit at the bottom; this operation is performed for all the newbits needed (i.e. 32 bits). The entire operation can be done in 5 S cycles:

```

        ; enter with seed in Ra (32 bits),
        ; Rb (1 bit in Rb lsb), uses Rc
        ;
        TST     Rb, Rb, LSR#1    ; top bit into carry
        MOVS   Rc, Ra, RRX      ; 33 bit rotate right
        ADC    Rb, Rb, Rb       ; carry into lsb of Rb
        EOR    Rc, Rc, Ra, LSL#12 ; (involved!)
        EOR    Ra, Rc, Rc, LSR#20 ; (similarly involved!)
        ;
        ; new seed in Ra, Rb as before

```

## 4.15.3 Multiplication by constant using the barrel shifter

(1) Multiplication by  $2^n$  (1,2,4,8,16,32..)

```
MOV     Ra, Rb, LSL #n
```

(2) Multiplication by  $2^{n+1}$  (3,5,9,17..)

```
ADD     Ra, Ra, Ra, LSL #n
```

(3) Multiplication by  $2^{n-1}$  (3,7,15..)

```
RSB     Ra, Ra, Ra, LSL #n
```

## Instruction Set - Examples

---

(4) Multiplication by 6

```
ADD    Ra,Ra,Ra,LSL #1    ; multiply by 3
MOV    Ra,Ra,LSL#1       ; and then by 2
```

(5) Multiply by 10 and add in extra number

```
ADD    Ra,Ra,Ra,LSL#2    ; multiply by 5
ADD    Ra,Rc,Ra,LSL#1    ; multiply by 2 and add in next digit
```

(6) General recursive method for  $R_b := R_a * C$ ,  $C$  a constant:

(a) If  $C$  even, say  $C = 2^n * D$ ,  $D$  odd:

```
D=1:    MOV    Rb,Ra,LSL #n
D<>1:   {Rb := Ra*D}
        MOV    Rb,Rb,LSL #n
```

(b) If  $C \text{ MOD } 4 = 1$ , say  $C = 2^n * D + 1$ ,  $D$  odd,  $n > 1$ :

```
D=1:    ADD    Rb,Ra,Ra,LSL #n
D<>1:   {Rb := Ra*D}
        ADD    Rb,Ra,Rb,LSL #n
```

(c) If  $C \text{ MOD } 4 = 3$ , say  $C = 2^n * D - 1$ ,  $D$  odd,  $n > 1$ :

```
D=1:    RSB    Rb,Ra,Ra,LSL #n
D<>1:   {Rb := Ra*D}
        RSB    Rb,Ra,Rb,LSL #n
```

This is not quite optimal, but close. An example of its non-optimality is multiply by 45 which is done by:

```
RSB    Rb,Ra,Ra,LSL#2    ; multiply by 3
RSB    Rb,Ra,Rb,LSL#2    ; multiply by  $4*3-1 = 11$ 
ADD    Rb,Ra,Rb,LSL# 2   ; multiply by  $4*11+1 = 45$ 
```

rather than by:

```
ADD    Rb,Ra,Ra,LSL#3    ; multiply by 9
ADD    Rb,Rb,Rb,LSL#2    ; multiply by  $5*9 = 45$ 
```

# P60ARM-B

---

## 4.15.4 Loading a word from an unknown alignment

```
                                ; enter with address in Ra (32 bits)
                                ; uses Rb, Rc; result in Rd.
                                ; Note d must be less than c e.g. 0,1
                                ;
BIC      Rb,Ra,#3                ; get word aligned address
LDMIA   Rb,{Rd,Rc}              ; get 64 bits containing answer
AND     Rb,Ra,#3                ; correction factor in bytes
MOVS    Rb,Rb,LSL#3             ; ...now in bits and test if aligned
MOVNE   Rd,Rd,LSR Rb           ; produce bottom of result word
                                ; (if not aligned)
RSBNE   Rb,Rb,#32              ; get other shift amount
ORRNE   Rd,Rd,Rc,LSL Rb        ; combine two halves to get result
```

## 4.15.5 Loading a halfword (Little Endian)

```
LDR     Ra, [Rb,#2]              ; Get halfword to bits 15:0
MOV     Ra,Ra,LSL #16           ; move to top
MOV     Ra,Ra,LSR #16           ; and back to bottom
                                ; use ASR to get sign extended version
```

## 4.15.6 Loading a halfword (Big Endian)

```
LDR     Ra, [Rb,#2]              ; Get halfword to bits 31:16
MOV     Ra,Ra,LSR #16           ; and back to bottom
                                ; use ASR to get sign extended version
```

## 5.0 Memory Interface

ARM60 communicates with its memory system via a bidirectional data bus (**D[31:0]**). A separate 32 bit address bus specifies the memory location to be used for the transfer, and the **nRW** signal gives the direction of transfer (ARM60 to memory or memory to ARM60). Control signals give additional information about the transfer cycle, and in particular they facilitate the use of DRAM page mode where applicable. Interfaces to static RAM based memories can also be interfaced to and, in general, they are much simpler than the DRAM interface described here.

### 5.1 Cycle types

All memory transfer cycles can be placed in one of four categories:

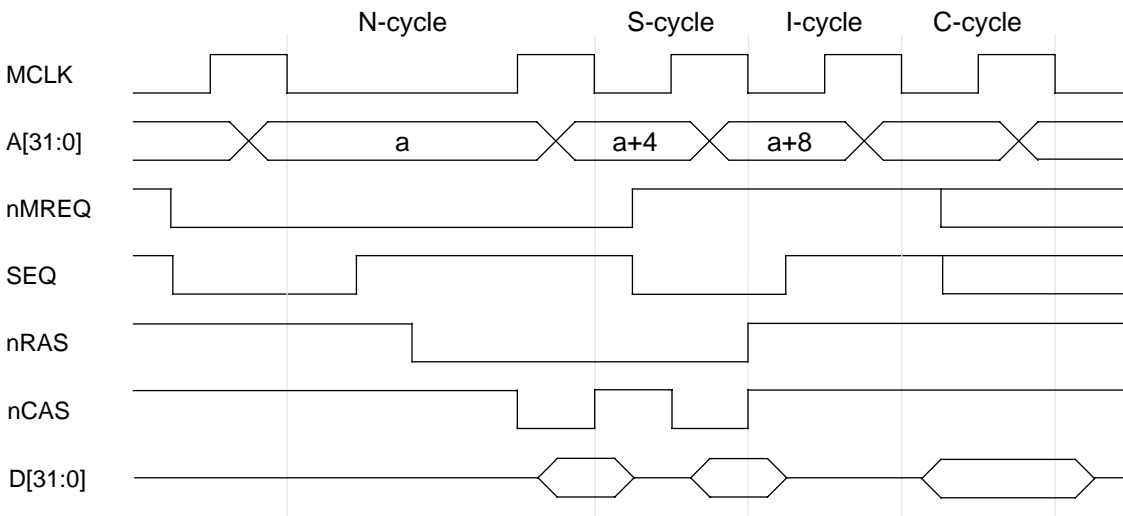
- (1) Non-sequential cycle. ARM60 requests a transfer to or from an address which is unrelated to the address used in the preceding cycle.
- (2) Sequential cycle. ARM60 requests a transfer to or from an address which is either the same as the address in the preceding cycle, or is one word after the preceding address.
- (3) Internal cycle. ARM60 does not require a transfer, as it is performing an internal function and no useful prefetching can be performed at the same time.
- (4) Coprocessor register transfer. ARM60 wishes to use the data bus to communicate with a coprocessor, but does not require any action by the memory system.

These four classes are distinguishable to the memory system by inspection of the **nMREQ** and **SEQ** control lines (see *Table 6: Memory Cycle Types*). These control lines are generated during phase 1 of the cycle before the cycle whose characteristics they forecast, and this pipelining of the control information gives the memory system sufficient time to decide whether or not it can use a page mode access.

nMREQ	SEQ	Cycle type
0	0	Non-sequential cycle (N-cycle)
0	1	Sequential cycle (S-cycle)
1	0	Internal cycle (I-cycle)
1	1	Coprocessor register transfer (C-cycle)

Table 6: Memory Cycle Types

*Figure 29: ARM Memory Cycle Timing* shows the pipelining of the control signals, and suggests how the DRAM address strobes (**nRAS** and **nCAS**) might be timed to use page mode for S-cycles. Note that the N-cycle is longer than the other cycles. This is to allow for the DRAM precharge and row access time, and is not an ARM60 requirement.



**Figure 29: ARM Memory Cycle Timing**

When an S-cycle follows an N-cycle, the address will always be one word greater than the address used in the N-cycle. This address (marked “a” in the above diagram) should be checked to ensure that it is not the last in the DRAM page before the memory system commits to the S-cycle. If it is at the page end, the S-cycle cannot be performed in page mode and the memory system will have to perform a full access.

The processor clock must be stretched to match the full access. When an S-cycle follows an I- or C-cycle, the address will be the same as that used in the I- or C-cycle. This fact may be used to start the DRAM access during the preceding cycle, which enables the S-cycle to run at page mode speed whilst performing a full DRAM access. This is shown in *Figure 30: Memory Cycle Optimization*.

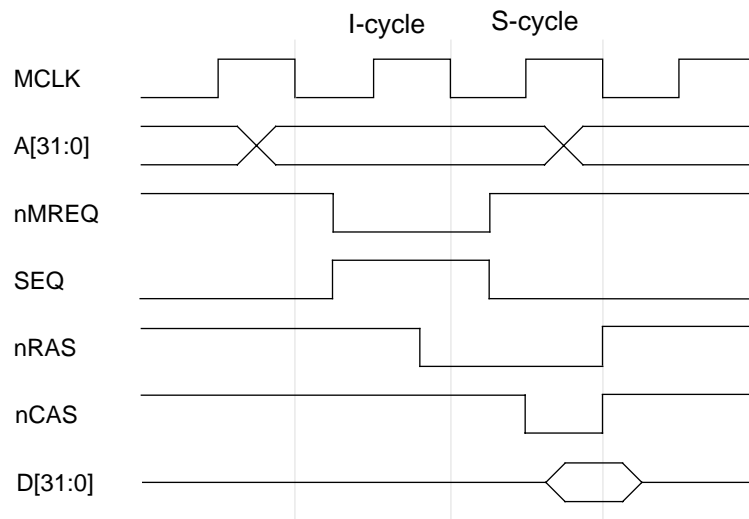
## 5.2 Byte addressing

The processor address bus gives byte addresses, but instructions are always words (where a word is 4 bytes) and data quantities are usually words. Single data transfers (LDR and STR) can, however, specify that a byte quantity is required. The **nBW** control line is used to request a byte from the memory system; normally it is HIGH, signifying a request for a word quantity, and it goes LOW during phase 2 of the preceding cycle to request a byte transfer.

When the processor is fetching an instruction from memory, the state of the bottom two address lines **A[1:0]** is undefined.

When a byte is requested in a read transfer (LDRB), the memory system can safely ignore that the request is for a byte quantity and present the whole word.

ARM60 will perform the byte extraction internally. Alternatively, the memory system may activate only the addressed byte of the memory. This may be desirable in order to save power, or to enable the use of a common decoding system for both read and write cycles.



**Figure 30: Memory Cycle Optimization**

If a byte write is requested (STRB), ARM60 will broadcast the byte value across the data bus, presenting it at each byte location within the word. The memory system must decode **A[1:0]** to enable writing only to the addressed byte.

One way of implementing the byte decode in a DRAM system is to separate the 32 bit wide block of DRAM into four byte wide banks, and generate the column address strobes independently as shown in *Figure 31: Decoding Byte Accesses to Memory*.

When the processor is configured for Little Endian operation byte 0 of the memory system should be connected to data lines 7 through 0 (**D[7:0]**) and strobed by **nCAS0**. **nCAS1** drives the bank connected to data lines 15 through 8, and so on. This has the added advantage of reducing the load on each column strobe driver, which improves the precision of this time critical signal.

In the Big Endian case, byte 0 of the memory system should be connected to data lines 31 through 24.

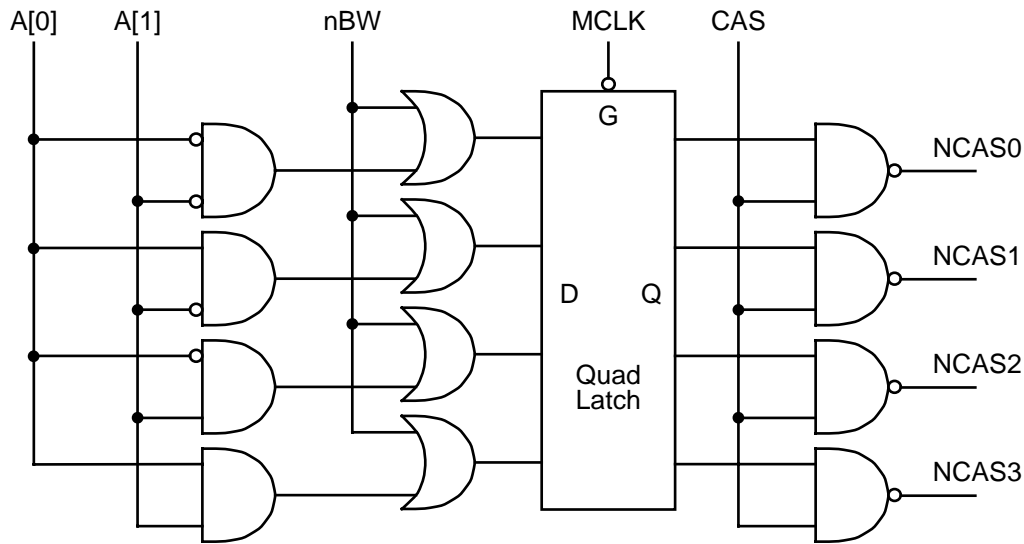


Figure 31: Decoding Byte Accesses to Memory

## 5.3 Address timing

Normally the processor address changes during phase 2 to the value which the memory system should use during the following cycle. This gives maximum time for driving the address to large memory arrays, and for address translation where required. Dynamic memories usually latch the address on chip, and if the latch is timed correctly they will work even though the address changes before the access has completed.

Static RAMs and ROMs will not work under such circumstances, as they require the address to be stable until after the access has completed. Therefore, for use with such devices, the address transition must be delayed until after the end of phase 2. An on-chip address latch, controlled by **ALE**, allows the address timing to be modified in this way. In a system with a mixture of static and dynamic memories (which for these purposes means a mixture of devices with and without address latches), the use of **ALE** may change dynamically from one cycle to the next, at the discretion of the memory system.

## 5.4 Memory management

The ARM60 address bus may be processed by an address translation unit before being presented to the memory, and ARM60 is capable of running a virtual memory system. The abort input to the processor may be used by the memory manager to inform ARM60 of page faults. Various other signals enable different page protection levels to be supported:

- (1) **nRW** can be used by the memory manager to protect pages from being written to.
- (2) **nTRANS** indicates whether the processor is in user or a privileged mode, and may be used to protect system pages from the user, or to support completely separate mappings for the system and the user.



Address translation will normally only be necessary on an N-cycle, and this fact may be exploited to reduce power consumption in the memory manager and avoid the translation delay at other times. The times when translation is necessary can be deduced by keeping track of the cycle types that the processor uses.

If an N-cycle is matched to a full DRAM access, it will be longer than the minimum processor cycle time. Stretching phase 1 rather than phase 2 will give the translation system more time to generate an abort (which must be set up to the end of phase 1).

## 5.5 Locked operations

ARM60 includes a data swap (SWP) instruction that allows the contents of a memory location to be swapped with the contents of a processor register. This instruction is implemented as an uninterruptable pair of accesses; the first access reads the contents of the memory, and the second writes the register data to the memory. These accesses must be treated as a contiguous operation by the memory controller to prevent another device from changing the affected memory location before the swap is completed. ARM60 drives the **LOCK** signal HIGH for the duration of the swap operation to warn the memory controller not to give the memory to another device.

## 5.6 Stretching access times

All memory timing is defined by **MCLK**, and long access times can be accommodated by stretching this clock. It is usual to stretch the LOW period of **MCLK**, as this allows the memory manager to abort the operation if the access is eventually unsuccessful (**ABORT** must be setup prior to the rising edge of **MCLK** if **LATEABT** is LOW configuring ARM60 for early aborts).

Either **MCLK** can be stretched before it is applied to ARM60, or the **nWAIT** input can be used together with a free-running **MCLK**. Taking **nWAIT** LOW has the same effect as stretching the LOW period of **MCLK**, and **nWAIT** must only change when **MCLK** is LOW.

ARM60 does not contain any dynamic logic which relies upon regular clocking to maintain its internal state. Therefore there is no limit upon the maximum period for which **MCLK** may be stretched, or **nWAIT** held LOW.



## 6.0 Coprocessor Interface

The functionality of the ARM60 instruction set may be extended by the addition of up to 16 external coprocessors. When the coprocessor is not present, instructions intended for it will trap, and suitable software may be installed to emulate its functions. Adding the coprocessor will then increase the system performance in a software compatible way. Note that some coprocessor numbers have already been assigned. Contact your supplier for up to date information.

### 6.1 Interface signals

Three dedicated signals control the coprocessor interface, **nCPI**, **CPA** and **CPB**. The **CPA** and **CPB** inputs should be driven high except when they are being used for handshaking.

#### 6.1.1 Coprocessor present/absent

ARM60 takes **nCPI** LOW whenever it starts to execute a coprocessor (or undefined) instruction. (This will not happen if the instruction fails to be executed because of the condition codes.) Each coprocessor will have a copy of the instruction, and can inspect the CP# field to see which coprocessor it is for. Every coprocessor in a system must have a unique number and if that number matches the contents of the CP# field the coprocessor should drive the **CPA** (coprocessor absent) line LOW. If no coprocessor has a number which matches the CP# field, **CPA** and **CPB** will remain HIGH, and ARM60 will take the undefined instruction trap. Otherwise ARM60 observes the **CPA** line going LOW, and waits until the coprocessor is not busy.

#### 6.1.2 Busy-waiting

If **CPA** goes LOW, ARM60 will watch the **CPB** (coprocessor busy) line. Only the coprocessor which is driving **CPA** LOW is allowed to drive **CPB** LOW, and it should do so when it is ready to complete the instruction. ARM60 will busy-wait while **CPB** is HIGH, unless an enabled interrupt occurs, in which case it will break off from the coprocessor handshake to process the interrupt. Normally ARM60 will return from processing the interrupt to retry the coprocessor instruction.

When **CPB** goes LOW, the instruction continues to completion. This will involve data transfers taking place between the coprocessor and either ARM60 or memory, except in the case of coprocessor data operations which complete immediately the coprocessor ceases to be busy.

All three interface signals are sampled by both ARM60 and the coprocessor(s) on the rising edge of **MCLK**. If all three are LOW, the instruction is committed to execution, and if transfers are involved they will start on the next cycle. If **nCPI** has gone HIGH after being LOW, and before the instruction is committed, ARM60 has broken off from the busy-wait state to service an interrupt. The instruction may be restarted later, but other coprocessor instructions may come sooner, and the instruction should be discarded.

#### 6.1.3 Pipeline following

In order to respond correctly when a coprocessor instruction arises, each coprocessor must have a copy of the instruction. All ARM60 instructions are fetched from memory via the main data bus, and coprocessors are connected to this bus, so they can keep copies of all instructions as they go into the ARM60 pipeline. The **nOPC** signal indicates when an instruction fetch is taking place, and **MCLK** gives the timing of the transfer, so these may be used together to load an instruction pipeline within the coprocessor.

## 6.2 Data transfer cycles

Once the coprocessor has gone not-busy in a data transfer instruction, it must supply or accept data at the ARM60 bus rate (defined by **MCLK** and **nWAIT**). It can deduce the direction of transfer by inspection of the L bit in the instruction, but must only drive the bus when permitted to by **DBE** being HIGH. The coprocessor is responsible for determining the number of words to be transferred; ARM60 will continue to increment the address by one word per transfer until the coprocessor tells it to stop. The termination condition is indicated by the coprocessor driving **CPA** and **CPB** HIGH.

There is no limit in principle to the number of words which one coprocessor data transfer can move, but by convention no coprocessor should allow more than 16 words in one instruction. More than this would worsen the worst case ARM60 interrupt latency, as the instruction is not interruptible once the transfers have commenced. At 16 words, this instruction is comparable with a block transfer of 16 registers, and therefore does not affect the worst case latency.

## 6.3 Register transfer cycle

The coprocessor register transfer cycle is the one case when ARM60 requires the data bus without requiring the memory to be active. The memory system is informed that the bus is required by ARM60 taking both **nMREQ** and **SEQ** HIGH. When the bus is free, **DBE** should be taken HIGH to allow ARM60 or the coprocessor to drive the bus.

## 6.4 Privileged instructions

The coprocessor may restrict certain instructions for use in privileged modes only. To do this, the coprocessor will have to track the **nTRANS** output.

As an example of the use of this facility, consider the case of a floating point coprocessor (FPU) in a multi-tasking system. The operating system could save all the floating point registers on every task switch, but this is inefficient in a typical system where only one or two tasks will use floating point operations. Instead, there could be a privileged instruction which turns the FPU on or off. When a task switch happens, the operating system can turn the FPU off without saving its registers. If the new task attempts an FPU operation, the FPU will appear to be absent, causing an undefined instruction trap. The operating system will then realise that the new task requires the FPU, so it will re-enable it and save FPU registers. The task can then use the FPU as normal. If, however, the new task never attempts an FPU operation (as will be the case for most tasks), the state saving overhead will have been avoided.

## 6.5 Idempotency

A consequence of the implementation of the coprocessor interface, with the interruptible busy-wait state, is that all instructions may be interrupted at any point up to the time when the coprocessor goes not-busy. If so interrupted, the instruction will normally be restarted from the beginning after the interrupt has been processed. It is therefore essential that any action taken by the coprocessor before it goes not-busy must be idempotent, ie must be repeatable with identical results.

For example, consider a FIX operation in a floating point coprocessor which returns the integer result to an ARM60 register. The coprocessor must stay busy while it performs the floating point to fixed point conversion, as ARM60 will expect to receive the integer value on the cycle immediately following that

where it goes not-busy. The coprocessor must therefore preserve the original floating point value and not corrupt it during the conversion, because it will be required again if an interrupt arises during the busy period.

The coprocessor data operation class of instruction is not generally subject to idempotency considerations, as the processing activity can take place after the coprocessor goes not-busy. There is no need for ARM60 to be held up until the result is generated, because the result is confined to stay within the coprocessor.

## 6.6 Undefined instructions

Undefined instructions are treated by ARM60 as coprocessor instructions. All coprocessors must be absent (ie **CPA** and **CPB** must be HIGH) when an undefined instruction is presented. ARM60 will then take the undefined instruction trap. Note that the coprocessor need only look at bit 27 of the instruction to differentiate undefined instructions (which all have 0 in bit 27) from coprocessor instructions (which all have 1 in bit 27).



## 7.0 Instruction Cycle Operations

In the following tables **nMREQ** and **SEQ** (which are pipelined up to one cycle ahead of the cycle to which they apply) are shown in the cycle in which they appear, so they predict the type of the next cycle. The address, **nBW**, **nRW**, and **nOPC** (which appear up to half a cycle ahead) are shown in the cycle to which they apply.

Key:- (pc) = contents of the pc.                      • = a varying number  
 Xn = exception vector

### 7.1 Branch and branch with link

A branch instruction calculates the branch destination in the first cycle, whilst performing a prefetch from the current PC. This prefetch is done in all cases, since by the time the decision to take the branch has been reached it is already too late to prevent the prefetch.

During the second cycle a fetch is performed from the branch destination, and the return address is stored in register 14 if the link bit is set.

The third cycle performs a fetch from the destination + 4, refilling the instruction pipeline, and if the branch is with link R14 is modified (4 is subtracted from it) to simplify return from SUB PC,R14,#4 to MOV PC,R14. This makes the STM.{R14} LDM.{PC} type of subroutine work correctly. The cycle timings are shown below in *Table 7: Branch Instruction Cycle Operations*

Cycle	Address	nBW	nRW	Data	nMREQ	SEQ	nOPC
1	pc+8	1	0	(pc + 8)	0	0	0
2	alu	1	0	(alu)	0	1	0
3	alu+4	1	0	(alu + 4)	0	1	0
	alu+8						

Table 7: Branch Instruction Cycle Operations

*pc* is the address of the branch instruction

*alu* is an address calculated by ARM60

(*alu*) are the contents of that address, etc

### 7.2 Data Operations

A data operation executes in a single datapath cycle except where the shift is determined by the contents of a register. A register is read onto the A bus, and a second register or the immediate field onto the B bus. The ALU combines the A bus source and the shifted B bus source according to the operation specified in the instruction, and the result (when required) is written to the destination register. (Compares and tests do not produce results, only the ALU status flags are affected.)

# P60ARM-B

An instruction prefetch occurs at the same time as the above operation, and the program counter is incremented.

When the shift length is specified by a register, an additional datapath cycle occurs before the above operation to copy the bottom 8 bits of that register into a holding latch in the barrel shifter. The instruction prefetch will occur during this first cycle, and the operation cycle will be internal (ie will not request memory). This internal cycle can be merged with the following sequential access by the memory manager as the address remains stable through both cycles.

The PC may be one or more of the register operands. When it is the destination external bus activity may be affected. If the result is written to the PC, the contents of the instruction pipeline are invalidated, and the address for the next instruction prefetch is taken from the ALU rather than the address incremener. The instruction pipeline is refilled before any further execution takes place, and during this time exceptions are locked out, although will be recorded for subsequent action after the pipeline has been refilled.

PSR Transfer operations exhibit the same timing characteristics as the data operations except that the PC is never used as a source or destination register. The cycle timings are shown below *Table 8: Data Operation Instruction Cycle Operations*.

	Cycle	Address	nBW	nRW	Data	nMREQ	SEQ	nOPC
normal	1	pc+8	1	0	(pc+8)	0	1	0
		pc+12						
dest=pc	1	pc+8	1	0	(pc+8)	0	0	0
	2	alu	1	0	(alu)	0	1	0
	3	alu+4	1	0	(alu+4)	0	1	0
		alu+8						
shift(Rs)	1	pc+8	1	0	(pc+8)	1	0	0
	2	pc+12	1	0	-	0	1	1
		pc+12						
shift(Rs) dest=pc	1	pc+8	1	0	(pc+8)	1	0	0
	2	pc+12	1	0	-	0	0	1
	3	alu	1	0	(alu)	0	1	0
	4	alu+4	1	0	(alu+4)	0	1	0
		alu+8						

Table 8: Data Operation Instruction Cycle Operations



# Instruction Cycle Operations

## 7.3 Multiply and multiply accumulate

The multiply instructions make use of special hardware which implements a 2 bit Booth's algorithm with early termination. During the first cycle the accumulate Register is brought to the ALU, which either transmits it or produces zero (depending on the instruction being MLA or MUL) to initialise the destination register. During the same cycle, the multiplier (Rs) is loaded into the Booth's shifter via the A bus.

The datapath then cycles, adding the multiplicand (Rm) to, subtracting it from, or just transmitting, the result register. The multiplicand is shifted in the Nth cycle by  $2N$  or  $2N+1$  bits, under control of the Booth's logic. The multiplier is shifted right 2 bits per cycle, and when it is zero the instruction terminates (possibly after an additional cycle to clear a pending borrow).

All cycles except the first are internal. The cycle timings are shown below in *Table 9: Multiply Instruction Cycle Operations*.

	Cycle	Address	nBW	nRW	Data	nMREQ	SEQ	nOPC
(Rs)=0,1	1	pc+8	1	0	(pc+8)	1	0	0
	2	pc+12	1	0	-	0	1	1
		pc+12			(pc+8)			
(Rs)>1	1	pc+8	1	0	(pc+8)	1	0	0
	2	pc+12	1	0	-	1	0	1
	•	pc+12	1	0	-	1	0	1
	m	pc+12	1	0	-	1	0	1
	m+1	pc+12	1	0	-	0	1	1
		pc+12						

Table 9: Multiply Instruction Cycle Operations

$m$  is the number of cycles required by the Booth's algorithm; see the section on instruction speeds.

## 7.4 Load register

The first cycle of a load register instruction performs the address calculation. The data is fetched from memory during the second cycle, and the base register modification is performed during this cycle (if required). During the third cycle the data is transferred to the destination register, and external memory is unused. This third cycle may normally be merged with the following prefetch to form one memory N-cycle. The cycle timings are shown below in *Table 10: Load Register Instruction Cycle Operations*.

Either the base or the destination (or both) may be the PC, and the prefetch sequence will be changed if the PC is affected by the instruction.

The data fetch may abort, and in this case the destination modification is prevented. In addition, if the processor is configured for Early Abort, the base register write-back is also prevented.

	Cycle	Address	nBW	nRW	Data	nMREQ	SEQ	nOPC
normal	1	pc+8	1	0	(pc+8)	0	0	0
	2	alu	b/w	0	(alu)	1	0	1
	3	pc+12	1	0	-	0	1	1
		pc+12						
dest=pc	1	pc+8	1	0	(pc+8)	0	0	0
	2	alu	b/w	0	pc'	1	0	1
	3	pc+12	1	0	-	0	0	1
	4	pc'	1	0	(pc')	0	1	0
	5	pc'+4	1	0	(pc'+4)	0	1	0
		pc'+8						

Table 10: Load Register Instruction Cycle Operations

# Instruction Cycle Operations

---

## 7.5 Store register

The first cycle of a store register is similar to the first cycle of load register. During the second cycle the base modification is performed, and at the same time the data is written to memory. There is no third cycle. The cycle timings are shown below in *Table 11: Store Register Instruction Cycle Operations*. The base write-back is prevented during a Data Abort if the processor is configured for Early Abort. The write-back is not prevented if Late Abort is configured.

Cycle	Address	nBW	nRW	Data	nMREQ	SEQ	nOPC
1	pc+8	1	0	(pc+8)	0	0	0
2	alu	b/w	1	Rd	0	0	1
	pc+12						

Table 11: Store Register Instruction Cycle Operations

## 7.6 Load multiple registers

The first cycle of LDM is used to calculate the address of the first word to be transferred, whilst performing a prefetch from memory. The second cycle fetches the first word, and performs the base modification. During the third cycle, the first word is moved to the appropriate destination register while the second word is fetched from memory, and the modified base is latched internally in case it is needed to patch up after an abort. The third cycle is repeated for subsequent fetches until the last data word has been accessed, then the final (internal) cycle moves the last word to its destination register. The cycle timings are shown in *Table 12: Load Multiple Registers Instruction Cycle Operations*.

The last cycle may be merged with the next instruction prefetch to form a single memory N-cycle.

If an abort occurs, the instruction continues to completion, but all register writing after the abort is prevented. The final cycle is altered to restore the modified base register (which may have been overwritten by the load activity before the abort occurred).

When the PC is in the list of registers to be loaded the current instruction pipeline must be invalidated.

Note that the PC is always the last register to be loaded, so an abort at any point will prevent the PC from being overwritten.

	Cycle	Address	nBW	nRW	Data	nMREQ	SEQ	nOPC
1 register	1	pc+8	1	0	(pc+8)	0	0	0
	2	alu	1	0	(alu)	1	0	1
	3	pc+12	1	0	-	0	1	1
		pc+12						
1 register dest=pc	1	pc+8	1	0	(pc+8)	0	0	0
	2	alu	1	0	pc'	1	0	1
	3	pc+12	1	0	-	0	0	1
	4	pc'	1	0	(pc')	0	1	0
	5	pc'+4	1	0	(pc'+4)	0	1	0
		pc'+8						
n registers (n>1)	1	pc+8	1	0	(pc+8)	0	0	0
	2	alu	1	0	(alu)	0	1	1
	•	alu+•	1	0	(alu+•)	0	1	1
	n	alu+•	1	0	(alu+•)	0	1	1
	n+1	alu+•	1	0	(alu+•)	1	0	1
	n+2	pc+12	1	0	-	0	1	1
		pc+12						
n registers (n>10) incl pc	1	pc+8	1	0	(pc+8)	0	0	0
	2	alu	1	0	(alu)	0	1	1
	•	alu+•	1	0	(alu+•)	0	1	1
	n	alu+•	1	0	(alu+•)	0	1	1
	n+1	alu+•	1	0	pc'	1	0	1
	n+2	pc+12	1	0	-	0	0	1
	n+3	pc'	1	0	(pc')	0	1	0
	n+4	pc'+4	1	0	(pc'+4)	0	1	0
		pc'+8						

Table 12: Load Multiple Registers Instruction Cycle Operations

# Instruction Cycle Operations

## 7.7 Store multiple registers

Store multiple proceeds very much as load multiple, without the final cycle. The restart problem is much more straightforward here, as there is no wholesale overwriting of registers to contend with. The cycle timings are shown in *Table 13: Store Multiple Registers Instruction Cycle Operations*.

	Cycle	Address	nBW	nRW	Data	nMREQ	SEQ	nOPC
1 register	1	pc+8	1	0	(pc+8)	0	0	0
	2	alu	1	1	Ra	0	0	1
		pc+12						
n registers (n>1)	1	pc+8	1	0	(pc+8)	0	0	0
	2	alu	1	1	Ra	0	1	1
	•	alu+•	1	1	R•	0	1	1
	n	alu+•	1	1	R•	0	1	1
	n+1	alu+•	1	1	R•	0	0	1
		pc+12						

Table 13: Store Multiple Registers Instruction Cycle Operations

## 7.8 Data swap

This is similar to the load and store register instructions, but the actual swap takes place in cycles 2 and 3. In the second cycle, the data is fetched from external memory. In the third cycle, the contents of the source register are written out to the external memory. The data read in cycle 2 is written into the destination register during the fourth cycle. The cycle timings are shown below in *Table 14: Data Swap Instruction Cycle Operations*.

The **LOCK** output of ARM60 is driven HIGH for the duration of the swap operation (cycles 2 & 3) to indicate that both cycles should be allowed to complete without interruption.

The data swapped may be a byte or word quantity (b/w).

The swap operation may be aborted in either the read or write cycle, and in both cases the destination register will not be affected.

Cycle	Address	nBW	nRW	Data	nMREQ	SEQ	nOPC	LOCK
1	pc+8	1	0	(pc+8)	0	0	0	0
2	Rn	b/w	0	(Rn)	0	0	1	1
3	Rn	b/w	1	Rm	1	0	1	1
4	pc+12	1	0	-	0	1	1	0
	pc+12							

Table 14: Data Swap Instruction Cycle Operations

## 7.9 Software interrupt and exception entry

Exceptions (and software interrupts) force the PC to a particular value and refill the instruction pipeline from there. During the first cycle the forced address is constructed, and a mode change may take place. The return address is moved to R14 and the CPSR to SPSR\_svc.

During the second cycle the return address is modified to facilitate return, though this modification is less useful than in the case of branch with link.

The third cycle is required only to complete the refilling of the instruction pipeline. The cycle timings are shown below in *Table 15: Software Interrupt Instruction Cycle Operations*.

Cycle	Address	nBW	nRW	Data	nMREQ	SEQ	nOPC	nTRANS
1	pc+8	1	0	(pc+8)	0	0	0	1
2	Xn	1	0	(Xn)	0	1	0	1
3	Xn+4	1	0	(Xn+4)	0	1	0	1
	Xn+8							

Table 15: Software Interrupt Instruction Cycle Operations

For software interrupts, *pc* is the address of the SWI instruction. For interrupts and reset, *pc* is the address of the instruction following the last one to be executed before entering the exception. For prefetch abort, *pc* is the address of the aborting instruction. For data abort, *pc* is the address of the instruction following the one which attempted the aborted data transfer. *Xn* is the appropriate trap address.

# Instruction Cycle Operations

## 7.10 Coprocessor data operation

A coprocessor data operation is a request from ARM60 for the coprocessor to initiate some action. The action need not be completed for some time, but the coprocessor must commit to doing it before driving **CPB** LOW.

If the coprocessor can never do the requested task, it should leave **CPA** and **CPB** HIGH. If it can do the task, but can't commit right now, it should drive **CPA** LOW but leave **CPB** HIGH until it can commit. ARM60 will busy-wait until **CPB** goes LOW. The cycle timings are shown in *Table 16: Coprocessor Data Operation Instruction Cycle Operations*.

	Cycle	Address	nBW	nRW	Data	nMREQ	SEQ	nOPC	nCPI	CPA	CPB
ready	1	pc+8	1	0	(pc+8)	0	0	0	0	0	0
		pc+12									
not ready	1	pc+8	1	0	(pc+8)	1	0	0	0	0	1
	2	pc+8	1	0	-	1	0	1	0	0	1
	•	pc+8	1	0	-	1	0	1	0	0	1
	n	pc+8	1	0	-	0	0	1	0	0	0
		pc+12									

Table 16: Coprocessor Data Operation Instruction Cycle Operations

## 7.11 Coprocessor data transfer (from memory to coprocessor)

Here the coprocessor should commit to the transfer only when it is ready to accept the data. When **CPB** goes LOW, ARM60 will produce addresses and expect the coprocessor to take the data at sequential cycle rates. The coprocessor is responsible for determining the number of words to be transferred, and indicates the last transfer cycle by driving **CPA** and **CPB** HIGH.

ARM60 spends the first cycle (and any busy-wait cycles) generating the transfer address, and performs the write-back of the address base during the transfer cycles. The cycle timings are shown in *Table 17: Coprocessor Data Transfer Instruction Cycle Operations*.

# P60ARM-B

	Cycle	Address	nBW	nRW	Data	nMREQ	SEQ	nOPC	nCPI	CPA	CPB
1 register ready	1	pc+8	1	0	(pc+8)	0	0	0	0	0	0
	2	alu	1	0	(alu)	0	0	1	1	1	1
		pc+12									
1 register not ready	1	pc+8	1	0	(pc+8)	1	0	0	0	0	1
	2	pc+8	1	0	-	1	0	1	0	0	1
	•	pc+8	1	0	-	1	0	1	0	0	1
	n	pc+8	1	0	-	0	0	1	0	0	0
	n+1	alu	1	0	(alu)	0	0	1	1	1	1
		pc+12									
n registers (n>1) ready	1	pc+8	1	0	(pc+8)	0	0	0	0	0	0
	2	alu	1	0	(alu)	0	1	1	1	0	0
	•	alu+•	1	0	(alu+•)	0	1	1	1	0	0
	n	alu+•	1	0	(alu+•)	0	1	1	1	0	0
	n+1	alu+•	1	0	(alu+•)	0	0	1	1	1	1
		pc+12									
m registers (m>1) not ready											
	1	pc+8	1	0	(pc+8)	1	0	0	0	0	1
	2	pc+8	1	0	-	1	0	1	0	0	1
	•	pc+8	1	0	-	1	0	1	0	0	1
	n	pc+8	1	0	-	0	0	1	0	0	0
	n+1	alu	1	0	(alu)	0	1	1	1	0	0
	•	alu+•	1	0	(alu+•)	0	1	1	1	0	0
	n+m	alu+•	1	0	(alu+•)	0	1	1	1	0	0
	n+m+1	alu+•	1	0	(alu+•)	0	0	1	1	1	1
	pc+12										

Table 17: Coprocessor Data Transfer Instruction Cycle Operations



# Instruction Cycle Operations

## 7.12 Coprocessor data transfer (from coprocessor to memory)

The ARM60 controls these instructions exactly as for memory to coprocessor transfers, with the one exception that the nRW line is inverted during the transfer cycle. The cycle timings are show in *Table 18: Coprocessor Data Transfer Instruction Cycle Operations*.

	Cycle	Address	nBW	nRW	Data	nMREQ	SEQ	nOPC	nCPI	CPA	CPB
1 register ready	1	pc+8	1	0	(pc+8)	0	0	0	0	0	0
	2	alu	1	1	CPdata	0	0	1	1	1	1
		pc+12									
1 register not ready	1	pc+8	1	0	(pc+8)	1	0	0	0	0	1
	2	pc+8	1	0	-	1	0	1	0	0	1
	•	pc+8	1	0	-	1	0	1	0	0	1
	n	pc+8	1	0	-	0	0	1	0	0	0
	n+1	alu	1	1	CPdata	0	0	1	1	1	1
		pc+12									
n registers (n>1) ready	1	pc+8	1	0	(pc+8)	0	0	0	0	0	0
	2	alu	1	1	CPdata	0	1	1	1	0	0
	•	alu+•	1	1	CPdata	0	1	1	1	0	0
	n	alu+•	1	1	CPdata	0	1	1	1	0	0
	n+1	alu+•	1	1	CPdata	0	0	1	1	1	1
		pc+12									
m registers (m>1) not ready	1	pc+8	1	0	(pc+8)	1	0	0	0	0	1
	2	pc+8	1	0	-	1	0	1	0	0	1
	•	pc+8	1	0	-	1	0	1	0	0	1
	n	pc+8	1	0	-	0	0	1	0	0	0
	n+1	alu	1	1	CPdata	0	1	1	1	0	0
	•	alu+•	1	1	CPdata	0	1	1	1	0	0
	n+m	alu+•	1	1	CPdata	0	1	1	1	0	0
	n+m+1	alu+•	1	1	CPdata	0	0	1	1	1	1
		pc+12									

Table 18: Coprocessor Data Transfer Instruction Cycle Operations

## 7.13 Coprocessor register transfer (Load from coprocessor)

Here the busy-wait cycles are much as above, but the transfer is limited to one data word, and ARM60 puts the word into the destination register in the third cycle. The third cycle may be merged with the following prefetch cycle into one memory N-cycle as with all ARM60 register load instructions. The cycle timings are shown in *Table 19: Coprocessor register transfer (Load from coprocessor)*.

	Cycle	Address	nBW	nRW	Data	nMREQ	SEQ	nOPC	nCPI	CPA	CPB
ready	1	pc+8	1	0	(pc+8)	1	1	0	0	0	0
	2	pc+12	1	0	CPdata	1	0	1	1	1	1
	3	pc+12	1	0	-	0	1	1	1	-	-
		pc+12									
not ready	1	pc+8	1	0	(pc+8)	1	0	0	0	0	1
	2	pc+8	1	0	CPdata	1	0	1	0	0	1
	•	pc+8	1	0	-	1	0	1	0	0	1
	n	pc+8	1	0	-	1	1	1	0	0	0
	n+1	pc+12	1	0	CPdata	1	0	1	1	1	1
	n+2	pc+12	1	0	-	0	1	1	1	-	-
		pc+12									

**Table 19: Coprocessor register transfer (Load from coprocessor)**

## 7.14 Coprocessor register transfer (Store to coprocessor)

As for the load from coprocessor, except that the last cycle is omitted. The cycle timings are shown below in *Table 20: Coprocessor register transfer (Store to coprocessor)*.

# Instruction Cycle Operations

	Cycle	Address	nBW	nRW	Data	nMREQ	SEQ	nOPC	nCPI	CPA	CPB
ready	1	pc+8	1	0	(pc+8)	1	1	0	0	0	0
	2	pc+12	1	1	Rd	0	0	1	1	1	1
		pc+12									
not ready	1	pc+8	1	0	(pc+8)	1	0	0	0	0	1
	2	pc+8	1	0	-	1	0	1	0	0	1
	•	pc+8	1	0	-	1	0	1	0	0	1
	n	pc+8	1	0	-	1	1	1	0	0	0
	n+1	pc+12	1	1	Rd	0	0	1	1	1	1
		pc+12									

Table 20: Coprocessor register transfer (Store to coprocessor)

## 7.15 Undefined instructions and coprocessor absent

When a coprocessor detects a coprocessor instruction which it cannot perform, and this must include all undefined instructions, it must not drive **CPA** or **CPB** LOW. These will remain HIGH, causing the undefined instruction trap to be taken. Cycle timings are shown in *Table 21: Undefined Instruction Cycle Operations*.

Cycle	Address	nBW	nRW	Data	nMREQ	SEQ	nOPC	nCPI	CPA	CPB
1	pc+8	1	0	(pc+8)	1	0	0	0	1	1
2	pc+8	1	0	-	0	0	0	1	1	1
3	Xn	1	0	(Xn)	0	1	0	1	1	1
4	Xn+4	1	0	(Xn+4)	0	1	0	1	1	1
	Xn+8									

Table 21: Undefined Instruction Cycle Operations

## 7.16 Unexecuted instructions

Any instruction whose condition code is not met will fail to execute. It will add one cycle to the execution time of the code segment in which it is embedded (see *Table 22: Unexecuted Instruction Cycle Operations*).

Cycle	Address	nBW	nRW	Data	nMREQ	SEQ	nOPC
1	pc+8	1	0	(pc+8)	0	1	0
	pc+12						

Table 22: Unexecuted Instruction Cycle Operations

## 7.17 Instruction Speed Summary

Due to the pipelined architecture of the CPU, instructions overlap considerably. In a typical cycle one instruction may be using the data path while the next is being decoded and the one after that is being fetched. For this reason the following table presents the incremental number of cycles required by an instruction, rather than the total number of cycles for which the instruction uses part of the processor. Elapsed time (in cycles) for a routine may be calculated from these figures which are shown in *Table 23: ARM Instruction Speeds*. These figures assume that the instruction is actually executed. Unexecuted instructions take one cycle.

Instruction	Cycle count	Additional
Data Processing	1S	+ 1I for SHIFT(Rs) + 1I + 1N if R15 written
MSR, MRS	1S	
LDR	1S + 1N + 1I	+ 1S + 1N if R15 loaded
STR	2N	
LDM	nS + 1N + 1I	+ 1S + 1N if R15 loaded
STM	(n-1)S + 2N	
SWP	1S + 2N + 1I	
B,BL	2S + 1N	
SWI, trap	2S + 1N	
MUL,MLA	1S + mI	
CDP	1S + bI	
LDC,STC	(n-1)S + 2N + bI	
MRC	1S + bI + 1C	
MCR	1S + (b+1)I + 1C	

Table 23: ARM Instruction Speeds

$n$  is the number of words transferred.

$m$  is the number of cycles required by the multiply algorithm, which is determined by the contents of Rs. Multiplication by any number between  $2^{(2m-3)}$  and  $2^{(2m-1)}-1$  takes  $1S+mI$   $m$  cycles for  $1 < m < 16$ . Multiplication by 0 or 1 takes  $1S+1I$  cycles, and multiplication by any number greater than or equal to  $2^{(29)}$  takes  $1S+16I$  cycles. The maximum time for any multiply is thus  $1S+16I$  cycles.

$b$  is the number of cycles spent in the coprocessor busy-wait loop.

If the condition is not met all instructions take one S cycle. The cycle types (N, S, I and C) are defined in *Chapter 5.0 Memory Interface*.

## 8.0 Boundary Scan Test Interface

The boundary-scan interface conforms to the IEEE Std. 1149.1- 1990, Standard Test Access Port and Boundary-Scan Architecture (please refer to this standard for an explanation of the terms used in this section and for a description of the TAP controller states.)

### 8.1 Overview

The boundary-scan interface provides a means of testing the core of the device when it is fitted to a circuit board, and a means of driving and sampling all the external pins of the device irrespective of the core state. This latter function permits testing of both the device's electrical connections to the circuit board, and (in conjunction with other devices on the circuit board having a similar interface) testing the integrity of the circuit board connections between devices. The interface intercepts all external connections within the device, and each such "cell" is then connected together to form a serial register (the boundary scan register). The whole interface is controlled via 5 dedicated pins: **TDI**, **TMS**, **TCK**, **nTRST** and **TDO**. *Figure 32: Test Access Port (TAP) Controller State Transitions* shows the state transitions that occur in the TAP controller.

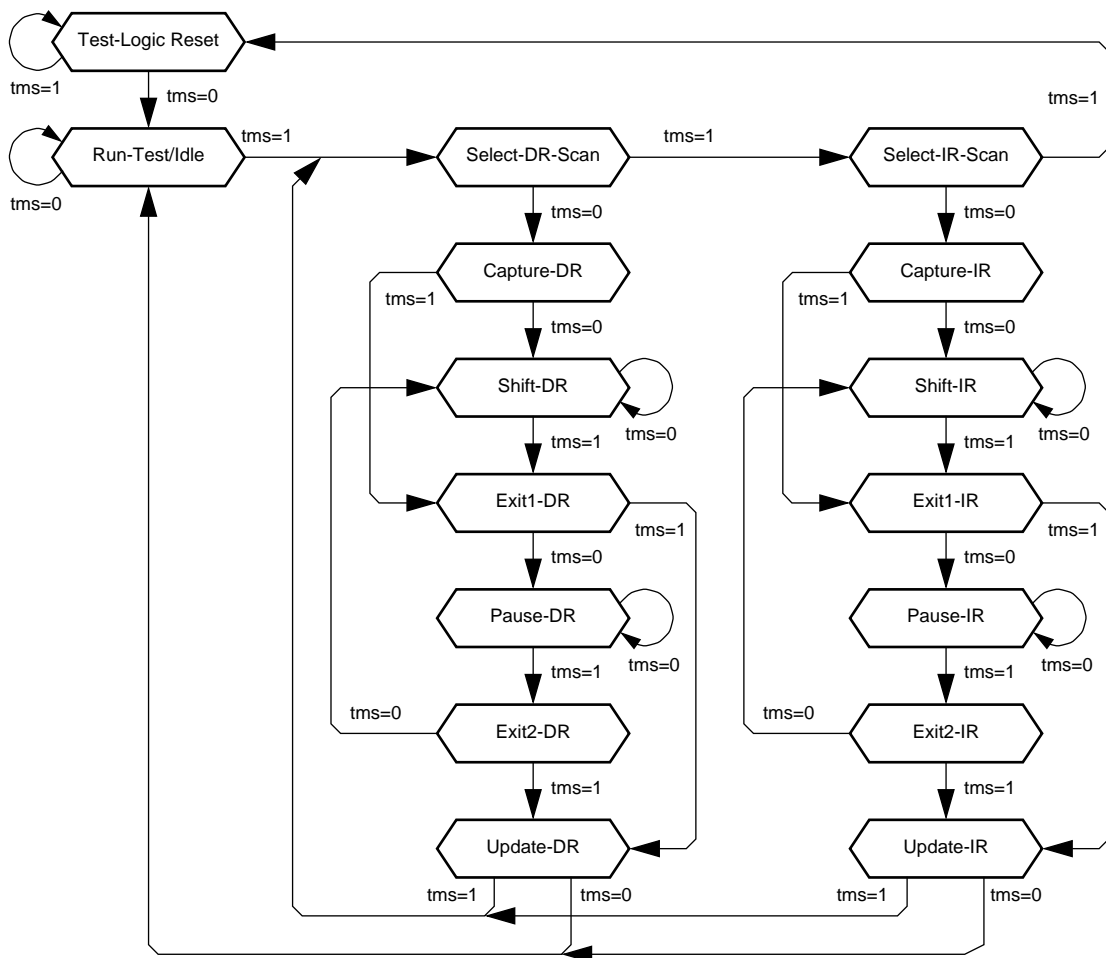


Figure 32: Test Access Port (TAP) Controller State Transitions

# P60ARM-B

---

## 8.2 Reset

The boundary-scan interface includes a state-machine controller (the TAP controller). In order to force the TAP controller into the correct state after power-up of the device, a reset pulse must be applied to the **nTRST** pin. If the boundary scan interface is to be used, then **nTRST** must be driven LOW, and then HIGH again. If the boundary scan interface is not to be used, then the **nTRST** pin may be tied permanently LOW. Note that a clock on **TCK** is not necessary to reset the device.

The action of reset (either a pulse or a DC level) is as follows:

System mode is selected (i.e. the boundary scan chain does NOT intercept any of the signals passing between the pads and the core).

IDcode mode is selected. If **TMS** and **TCK** are used to put the TAP controller in *Shift-DR* mode (see Fig 32), the IDcode will be clocked out of **TDO**.

## 8.3 Pullup Resistors

TDI, TMS, nTRST and TCK all have on-chip pullup resistors.

## 8.4 Instruction Register

The instruction register is 4 bits in length.

There is no parity bit. The fixed value loaded into the instruction register during the CAPTURE-IR controller state is: 0001.

## 8.5 Public Instructions

The following public instructions are supported:

Instruction	Binary Code
EXTEST	0000
SAMPLE/PRELOAD	0011
CLAMP	0101
HIGHZ	0111
CLAMPZ	1001
INTEST	1100
IDCODE	1110
BYPASS	1111

In the descriptions that follow, **TDI** and **TMS** are sampled on the rising edge of **TCK** and all output transitions on **TDO** occur as a result of the falling edge of **TCK**.

### 8.5.1 EXTEST (0000)

The BS (boundary-scan) register is placed in test mode by the EXTEST instruction.

# Boundary Scan Test Interface

---

The EXTEST instruction connects the BS register between **TDI** and **TDO**.

When the instruction register is loaded with the EXTEST instruction, all the boundary-scan cells are placed in their test mode of operation.

In the CAPTURE-DR state, inputs from the system pins and outputs from the boundary-scan output cells to the system pins are captured by the boundary-scan cells. In the SHIFT-DR state, the previously captured test data is shifted out of the BS register via the **TDO** pin, whilst new test data is shifted in via the **TDI** pin to the BS register parallel input latch. In the UPDATE-DR state, the new test data is transferred into the BS register parallel output latch. Note that this data is applied immediately to the system logic and system pins. The first EXTEST vector should be clocked into the boundary-scan register, using the SAMPLE/PRELOAD instruction, prior to selecting INTEST to ensure that known data is applied to the system logic.

## 8.5.2 SAMPLE/PRELOAD (0011)

The BS (boundary-scan) register is placed in normal (system) mode by the SAMPLE/PRELOAD instruction.

The SAMPLE/PRELOAD instruction connects the BS register between **TDI** and **TDO**.

When the instruction register is loaded with the SAMPLE/PRELOAD instruction, all the boundary-scan cells are placed in their normal system mode of operation.

In the CAPTURE-DR state, a snapshot of the signals at the boundary-scan cells is taken on the rising edge of **TCK**. Normal system operation is unaffected. In the SHIFT-DR state, the sampled test data is shifted out of the BS register via the **TDO** pin, whilst new data is shifted in via the **TDI** pin to preload the BS register parallel input latch. In the UPDATE-DR state, the preloaded data is transferred into the BS register parallel output latch. Note that this data is not applied to the system logic or system pins while the SAMPLE/PRELOAD instruction is active. This instruction should be used to preload the boundary-scan register with known data prior to selecting the INTEST or EXTEST instructions (see the table below for appropriate guard values to be used for each boundary-scan cell).

## 8.5.3 CLAMP (0101)

The CLAMP instruction connects a 1 bit shift register (the BYPASS register) between **TDI** and **TDO**.

When the CLAMP instruction is loaded into the instruction register, the state of all output signals is defined by the values previously loaded into the boundary-scan register. A guarding pattern (specified for this device at the end of this section) should be pre-loaded into the boundary-scan register using the SAMPLE/PRELOAD instruction prior to selecting the CLAMP instruction.

In the CAPTURE-DR state, a logic 0 is captured by the bypass register. In the SHIFT-DR state, test data is shifted into the bypass register via **TDI** and out via **TDO** after a delay of one **TCK** cycle. Note that the first bit shifted out will be a zero. The bypass register is not affected in the UPDATE-DR state.

## 8.5.4 HIGHZ (0111)

The HIGHZ instruction connects a 1 bit shift register (the BYPASS register) between **TDI** and **TDO**.

## P60ARM-B

---

When the HIGHZ instruction is loaded into the instruction register, all outputs are placed in an inactive drive state.

In the CAPTURE-DR state, a logic 0 is captured by the bypass register. In the SHIFT-DR state, test data is shifted into the bypass register via **TDI** and out via **TDO** after a delay of one **TCK** cycle. Note that the first bit shifted out will be a zero. The bypass register is not affected in the UPDATE-DR state.

### 8.5.5 CLAMPZ (1001)

The CLAMPZ instruction connects a 1 bit shift register (the BYPASS register) between **TDI** and **TDO**.

When the CLAMPZ instruction is loaded into the instruction register, all outputs are placed in an inactive drive state, but the data supplied to the disabled output drivers is derived from the boundary-scan cells. The purpose of this instruction is to ensure, during production testing, that each output driver can be disabled when its data input is either a 0 or a 1.

A guarding pattern (specified for this device at the end of this section) should be pre-loaded into the boundary-scan register using the SAMPLE/PRELOAD instruction prior to selecting the CLAMPZ instruction.

In the CAPTURE-DR state, a logic 0 is captured by the bypass register. In the SHIFT-DR state, test data is shifted into the bypass register via **TDI** and out via **TDO** after a delay of one **TCK** cycle. Note that the first bit shifted out will be a zero. The bypass register is not affected in the UPDATE-DR state.

### 8.5.6 INTEST (1100)

The BS (boundary-scan) register is placed in test mode by the INTEST instruction.

The INTEST instruction connects the BS register between **TDI** and **TDO**.

When the instruction register is loaded with the INTEST instruction, all the boundary-scan cells are placed in their test mode of operation.

In the CAPTURE-DR state, the complement of the data supplied to the core logic from input boundary-scan cells is captured, while the true value of the data that is output from the core logic to output boundary-scan cells is captured. Note that CAPTURE-DR captures the complemented value of the input cells for testability reasons.

In the SHIFT-DR state, the previously captured test data is shifted out of the BS register via the **TDO** pin, whilst new test data is shifted in via the **TDI** pin to the BS register parallel input latch. In the UPDATE-DR state, the new test data is transferred into the BS register parallel output latch. Note that this data is applied immediately to the system logic and system pins. The first INTEST vector should be clocked into the boundary-scan register, using the SAMPLE/PRELOAD instruction, prior to selecting INTEST to ensure that known data is applied to the system logic.

Single-step operation is possible using the INTEST instruction.



## 8.5.7 IDCODE (1110)

The IDCODE instruction connects the device identification register (or ID register) between **TDI** and **TDO**. The ID register is a 32-bit register that allows the manufacturer, part number and version of a component to be determined through the TAP.

When the instruction register is loaded with the IDCODE instruction, all the boundary-scan cells are placed in their normal (system) mode of operation.

In the CAPTURE-DR state, the device identification code (specified at the end of this section) is captured by the ID register. In the SHIFT-DR state, the previously captured device identification code is shifted out of the ID register via the **TDO** pin, whilst data is shifted in via the **TDI** pin into the ID register. In the UPDATE-DR state, the ID register is unaffected.

The device identification codes for the P60ARM (obsolete) and P60ARM-B are as follows:

<b>P60ARM</b>	<b>1</b>	<b>D4A7</b>	<b>06F</b>
<b>P60ARM-B</b>	<b>3</b>	<b>CCA</b>	<b>06F</b>

## 8.5.8 BYPASS (1111)

The BYPASS instruction connects a 1 bit shift register (the BYPASS register) between **TDI** and **TDO**.

When the BYPASS instruction is loaded into the instruction register, all the boundary-scan cells are placed in their normal (system) mode of operation. This instruction has no effect on the system pins.

In the CAPTURE-DR state, a logic 0 is captured by the bypass register. In the SHIFT-DR state, test data is shifted into the bypass register via **TDI** and out via **TDO** after a delay of one **TCK** cycle. Note that the first bit shifted out will be a zero. The bypass register is not affected in the UPDATE-DR state.



# Boundary Scan Test Interface

---

There is no parallel output from the bypass register.

A logic 0 is loaded from the parallel input of the bypass register in the CAPTURE-DR state.

## 8.6.2 ARM60 Device Identification (ID) Code Register

Purpose: This register is used to read the 32-bit device identification code. No programmable supplementary identification code is provided.

Length: 32 bits

The format of the ID register is as follows:

31	28 27	12 11	1 0
<b>Version</b>	<b>Part Number</b>	<b>Manufacturer Identity</b>	<b>1</b>

Please contact your supplier for the correct Device Identification Code.

Operating Mode: When the IDCODE instruction is current, the ID register is selected as the serial path between **TDI** and **TDO**.

There is no parallel output from the ID register.

The 32-bit device identification code is loaded into the ID register from its parallel inputs during the CAPTURE-DR state.

## 8.6.3 ARM60 Boundary Scan (BS) Register

Purpose: The BS register consists of a serially connected set of cells around the periphery of the device, at the interface between the core logic and the system input/output pads. This register can be used to isolate the core logic from the pins and then apply tests to the core logic, or conversely to isolate the pins from the core logic and then drive or monitor the system pins.

Operating modes: The BS register is selected as the register to be connected between **TDI** and **TDO** only during the SAMPLE/PRELOAD, EXTEST and INTEST instructions. Values in the BS register are used, but are not changed, during the CLAMP and CLAMPZ instructions.

In the normal (system) mode of operation, straight-through connections between the core logic and pins are maintained and normal system operation is unaffected.

In TEST mode (i.e. when either EXTEST or INTEST is the currently selected instruction), values can be applied to the core logic or output pins independently of the actual values on the input pins and core logic outputs respectively. On the ARM60 all of the boundary scan cells include an update register and thus all of the pins can be controlled in the above manner. Additional boundary-scan cells are interposed in the scan chain in order to control the enabling of tristateable buses.

# P60ARM-B

---

The correspondence between boundary-scan cells and system pins, system direction controls and system output enables is as shown in *Table 25: Boundary Scan Signals & Pins*. The cells are listed in the order in which they are connected in the boundary-scan register, starting with the cell closest to TDI. All boundary-scan register cells at input pins can apply tests to the on-chip core logic.

The EXTEST guard values specified in *Table 25: Boundary Scan Signals & Pins* should be clocked into the boundary-scan register (using the SAMPLE/PRELOAD instruction) before the EXTEST instruction is selected, to ensure that known data is applied to the core logic during the test. The INTEST guard values shown in the table below should be clocked into the boundary-scan register (using the SAMPLE/PRELOAD instruction) before the INTEST instruction is selected to ensure that all outputs are disabled. These guard values should also be used when new EXTEST or INTEST vectors are clocked into the boundary-scan register.

The values stored in the BS register after power-up are not defined. Similarly, the values previously clocked into the BS register are not guaranteed to be maintained across a Boundary Scan reset (from forcing nTRST LOW or entering the Test Logic Reset state).

## 8.6.4 Output Enable Boundary-scan Cells

The boundary-scan register cells Nendout, Nabe, Ntbe, and Nmse control the output drivers of tristate outputs as shown in the table 25. In the case of OUTEN0 enable cells (Nendout, Ntbe), loading a 1 into the cell will place the associated drivers into the tristate state, while in the case of type INEN1 enable cells (Nabe, Nmse), loading a 0 into the cell will tristate the associated drivers.

To put all ARM60 tristate outputs into their high impedance state, a logic 1 should be clocked into the output enable boundary-scan cells Nendout and Ntbe, and a logic 0 should be clocked into Nabe and Nmse. Alternatively, the HIGHZ instruction can be used.

If the on-chip core logic causes the drivers controlled by Nendout, for example, to be tristate, (i.e. by driving the signal Nendout HIGH), then a 1 will be observed on this cell if the SAMPLE/PRELOAD or INTEST instructions are active.

## 8.6.5 Single-step Operation

ARM60 is a static design and there is no minimum clock speed. It can therefore be single-stepped while the INTEST instruction is selected. This can be achieved by serialising a parallel stimulus and clocking the resulting serial vectors into the boundary-scan register. When the boundary-scan register is updated, new test stimuli are applied to the core logic inputs; the effect of these stimuli can then be observed on the core logic outputs by capturing them in the boundary-scan register.

# Boundary Scan Test Interface

## 8.7 Boundary Scan Interface Signals

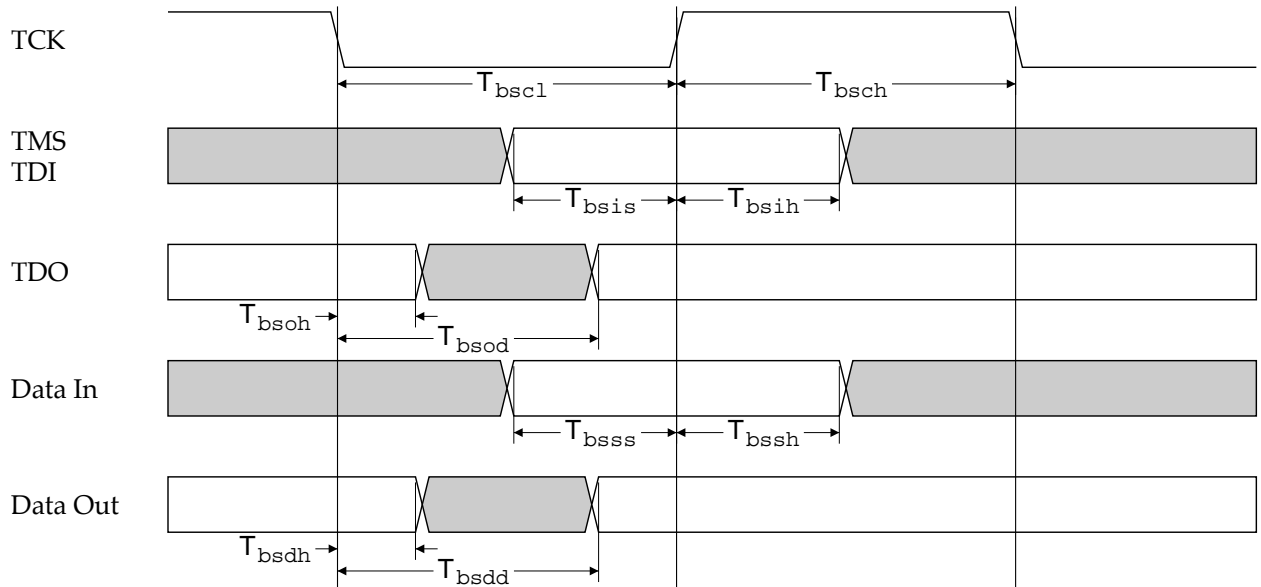


Figure 34: Boundary Scan General Timing

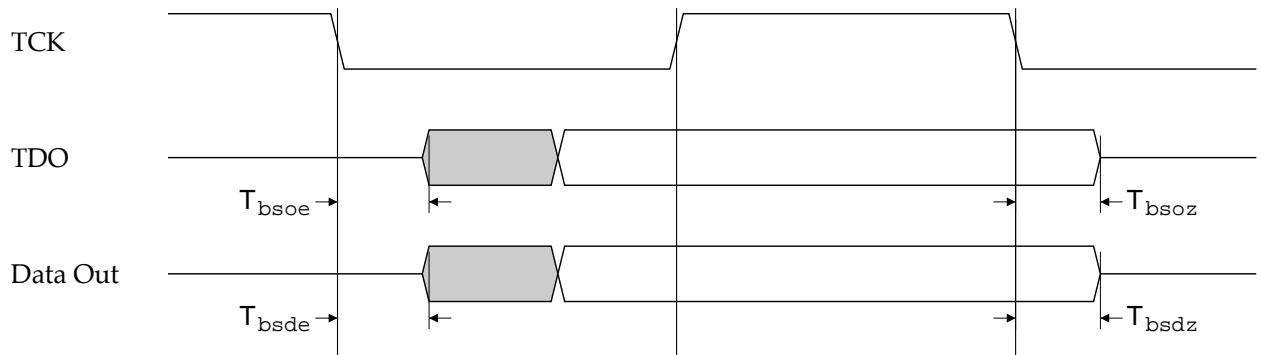


Figure 35: Boundary Scan Tri-state Timing

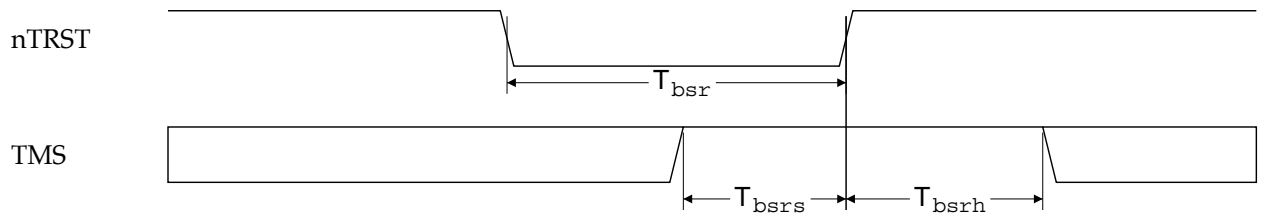


Figure 36: Boundary Scan Reset Timing

# P60ARM-B

Symbol	Parameter	Min	Typ	Max	Units	Notes
Tbscl	TCK low period	48			ns	1
Tbsch	TCK high period	48			ns	1
Tbsis	TDI,TMS setup to [TCr]	10			ns	
Tbsih	TDI,TMS hold from [TCr]	10			ns	
Tbsod	TCf to TDO valid			40	ns	2
Tbsoh	TDO hold time	3			ns	2
Tbsoe	TDO enable time	5			ns	2,3
Tbsoz	TDO disable time			40	ns	2,4
Tbsss	I/O signal setup to [TCr]	10			ns	5
Tbssh	I/O signal hold from [TCr]	15			ns	5
Tbsdd	TCf to data output valid			30	ns	
Tbsdh	data output hold time	3			ns	6
Tbsde	data output enable time	5			ns	6,7
Tbsdz	data output disable time			20	ns	6,8
Tbsr	Reset period	20			ns	
Tbsrs	tms setup to [TRr]	10			ns	9
Tbsrh	tms hold from [TRr]	10			ns	9

**Table 24: ARM60 Boundary Scan Interface Timing**

Notes:

1. **TCK** may be stopped indefinitely in either the low or high phase.
2. Assumes a 25pF load on **TDO**. Output timing derates at 0.072ns/pF of extra load applied.
3. **TDO** enable time applies when the TAP controller enters the Shift-DR or Shift-IR states.
4. **TDO** disable time applies when the TAP controller leaves the Shift-DR or Shift-IR states.
5. For correct data latching, the I/O signals (from the core and the pads) must be setup and held with respect to the rising edge of **TCK** in the CAPTURE-DR state of the SAMPLE/PRELOAD, INTEST and EXTEST instructions.
6. Assumes that the data outputs are loaded with the AC test loads (see AC parameter specification).
7. Data output enable time applies when the boundary scan logic is used to enable the output drivers.
8. Data output disable time applies when the boundary scan is used to disable the output drivers.
9. **TMS** must be held high as **nTRST** is taken high at the end of the boundary-scan reset sequence.

No.	Cell Name	Pin	Output enable Type	BS Cell		Guard Value	
				IN	EX *	IN	EX *
from tdi							
1	din0	D[0]	IN	-	*	0	
2	dout0	D[0]	OUT	Nenout=0	0	*	
3	din1	D[1]	IN	-	*	0	
4	dout1	D[1]	OUT	Nenout=0	0	*	
5	din2	D[2]	IN	-	*	0	
6	dout2	D[2]	OUT	Nenout=0	0	*	
7	din3	D[3]	IN	-	*	0	
8	dout3	D[3]	OUT	Nenout=0	0	*	
9	din4	D[4]	IN	-	*	0	
10	dout4	D[4]	OUT	Nenout=0	0	*	
11	din5	D[5]	IN	-	*	0	
12	dout5	D[5]	OUT	Nenout=0	0	*	
13	din6	D[6]	IN	-	*	0	
14	dout6	D[6]	OUT	Nenout=0	0	*	
15	din7	D[7]	IN	-	*	0	
16	dout7	D[7]	OUT	Nenout=0	0	*	
17	din8	D[8]	IN	-	*	0	
18	dout8	D[8]	OUT	Nenout=0	0	*	
19	din9	D[9]	IN	-	*	0	
20	dout9	D[9]	OUT	Nenout=0	0	*	
21	din10	D[10]	IN	-	*	0	
22	dout10	D[10]	OUT	Nenout=0	0	*	
23	din11	D[11]	IN	-	*	0	
24	dout11	D[11]	OUT	Nenout=0	0	*	
25	din12	D[12]	IN	-	*	0	
26	dout12	D[12]	OUT	Nenout=0	0	*	
27	din13	D[13]	IN	-	*	0	
28	dout13	D[13]	OUT	Nenout=0	0	*	
29	din14	D[14]	IN	-	*	0	
30	dout14	D[14]	OUT	Nenout=0	0	*	
31	din15	D[15]	IN	-	*	0	
32	dout15	D[15]	OUT	Nenout=0	0	*	
33	din16	D[16]	IN	-	*	0	
34	dout16	D[16]	OUT	Nenout=0	0	*	
35	din17	D[17]	IN	-	*	0	
36	dout17	D[17]	OUT	Nenout=0	0	*	
37	din18	D[18]	IN	-	*	0	
38	dout18	D[18]	OUT	Nenout=0	0	*	
39	din19	D[19]	IN	-	*	0	
40	dout19	D[19]	OUT	Nenout=0	0	*	
41	din20	D[20]	IN	-	*	0	
42	dout20	D[20]	OUT	Nenout=0	0	*	
43	din21	D[21]	IN	-	*	0	
44	dout21	D[21]	OUT	Nenout=0	0	*	
45	din22	D[22]	IN	-	*	0	
46	dout22	D[22]	OUT	Nenout=0	0	*	
47	din23	D[23]	IN	-	*	0	
48	dout23	D[23]	OUT	Nenout=0	0	*	

No.	Cell Name	Pin	Output enable Type	BS Cell		Guard Value	
				IN	EX *	IN	EX *
49	din24	D[24]	IN	-	*	0	
50	dout24	D[24]	OUT	Nenout=0	0	*	
51	din25	D[25]	IN	-	*	0	
52	dout25	D[25]	OUT	Nenout=0	0	*	
53	din26	D[26]	IN	-	*	0	
54	dout26	D[26]	OUT	Nenout=0	0	*	
55	din27	D[27]	IN	-	*	0	
56	dout27	D[27]	OUT	Nenout=0	0	*	
57	din28	D[28]	IN	-	*	0	
58	dout28	D[28]	OUT	Nenout=0	0	*	
59	din29	D[29]	IN	-	*	0	
60	dout29	D[29]	OUT	Nenout=0	0	*	
61	din30	D[30]	IN	-	*	0	
62	dout30	D[30]	OUT	Nenout=0	0	*	
63	din31	D[31]	IN	-	*	0	
64	dout31	D[31]	OUT	Nenout=0	0	*	
65	cpa	CPA	IN	-	*	1	
66	Nenout	-	OUTEN0	-	1	*	
67	Nce	-	OUTEN0	-	1	*	
68	lock	LOCK	OUT	Nce=0	0	*	
69	bigend	BIGEND	IN	-	*	0	
70	Ncpi	nCPI	OUT	Nce=0	0	*	
71	dbe	DBE	IN	-	*	0	
72	Nbw	nBW	OUT	Nce=0	0	*	
73	mclk	MCLK	IN	-	*	0	
74	Nwait	nWAIT	IN	-	*	0	
75	lateabt	LATEABT	IN	-	*	1	
76	prog32	PROG32	IN	-	*	1	
77	data32	DATA32	IN	-	*	1	
78	Nrw	nRW	OUT	Nce=0	0	*	
79	Nopc	nOPC	OUT	Nce=0	0	*	
80	Nmreq	nMREQ	OUT	Nce=0	0	*	
81	seq	SEQ	OUT	Nce=0	0	*	
82	abort	ABORT	IN	-	*	0	
83	Nirq	nIRQ	IN	-	*	1	
84	Nfiq	nFIQ	IN	-	*	1	
85	Nreset	nRESET	IN	-	*	0	
86	ale	ALE	IN	-	*	1	
87	cpb	CPB	IN	-	*	1	
88	Ntrans	nTRANS	OUT	Nce=0	0	*	
89	a31	A[31]	OUT	ABE=1	0	*	
90	a30	A[30]	OUT	ABE=1	0	*	
91	a29	A[29]	OUT	ABE=1	0	*	
92	a28	A[28]	OUT	ABE=1	0	*	
93	a27	A[27]	OUT	ABE=1	0	*	
94	a26	A[26]	OUT	ABE=1	0	*	
95	a25	A[25]	OUT	ABE=1	0	*	
96	a24	A[24]	OUT	ABE=1	0	*	
97	a23	A[23]	OUT	ABE=1	0	*	

# P60ARM-B

No.	Cell Name	Pin	Type	Output enable		Guard Value	
				BS Cell	IN	EX *	IN
98	a22	A[22]	OUT	ABE=1	0	*	
99	a21	A[21]	OUT	ABE=1	0	*	
100	a20	A[20]	OUT	ABE=1	0	*	
101	a19	A[19]	OUT	ABE=1	0	*	
102	a18	A[18]	OUT	ABE=1	0	*	
103	a17	A[17]	OUT	ABE=1	0	*	
104	a16	A[16]	OUT	ABE=1	0	*	
105	a15	A[15]	OUT	ABE=1	0	*	
106	a14	A[14]	OUT	ABE=1	0	*	
107	a13	A[13]	OUT	ABE=1	0	*	
108	a12	A[12]	OUT	ABE=1	0	*	
109	a11	A[11]	OUT	ABE=1	0	*	
110	a10	A[10]	OUT	ABE=1	0	*	

No.	Cell Name	Pin	Type	Output enable		Guard Value	
				BS Cell	IN	EX *	IN
111	a09	A[9]	OUT	ABE=1	0	*	
112	a08	A[8]	OUT	ABE=1	0	*	
113	a07	A[7]	OUT	ABE=1	0	*	
114	a06	A[6]	OUT	ABE=1	0	*	
115	a05	A[5]	OUT	ABE=1	0	*	
116	a04	A[4]	OUT	ABE=1	0	*	
117	a03	A[3]	OUT	ABE=1	0	*	
118	a02	A[2]	OUT	ABE=1	0	*	
119	a01	A[1]	OUT	ABE=1	0	*	
120	a00	A[0]	OUT	ABE=1	0	*	
121	abe	ABE	INEN1	-	0	*	
to tdo							

**Table 25: Boundary Scan Signals & Pins**

- Key: **IN** Input pad  
**OUT** Output pad  
**NEN1** Input enable active high  
**OUTENO** Output enable active low  
\* Guard Value for INTEST and EXTEST/CLAMP



## 9.0 DC Parameters

### 9.1 Absolute Maximum Ratings

Symbol	Parameter	Min	Typ	Max	Units	Notes
VDD	Supply voltage	0.0		7.0	V	
Vip	Voltage applied to input pin	-0.5		7.0	V	
Vop	Voltage applied to output pin	-0.5		Vdd+0.3	V	
Osct	Output short circuit time			1	S	1
Ts	Storage temperature	-65		150	deg.C	
Ta	Ambient operating temperature	-10		85	deg.C	
Pd	Maximum power dissipation			2.0	W	

**Table 26: ARM60 DC Parameters - maximum ratings**

**NOTES:**

These are stress ratings only. Exceeding the absolute maximum ratings may permanently damage the device. Operating the device at absolute maximum ratings for extended periods may affect device reliability. Functional operation of the device at these or any other condition outside those specified is not implied.

The device contains circuitry designed to provide protection from damage by static discharge. It is nonetheless recommended that precautions be taken to avoid applying voltages outside the specified range.

All voltages are measured with respect to VSS.

- (1) Not more than one output should be shorted to VDD or VSS at any one time.

# P60ARM-B

## 9.2 DC Operating Conditions

Symbol	Parameter	Min	Typ	Max	Units	Notes
VDD	Supply voltage	4.5	5.0	5.5	V	
Vih	Input HIGH voltage	2.4		VDD	V	1
Vil	Input LOW voltage	0.0		0.8	V	1
Io4	Output current (O4 outputs)			+/-4	mA	
Io8	Output current (OS8 outputs)			+/-8	mA	
Ta	Ambient operating temperature	-40		+85	deg.C	

Table 27: ARM60-B DC Operating Conditions

Notes:

Voltages measured with respect to VSS.

- (1) These levels apply to all inputs of type I and IP. Particular care needs to be taken with clock inputs in the PCB layout to eliminate EMC noise and provide true supply voltages directly at the device pins.

## 9.3 DC Characteristics

Given VDD = 5.0V ± 10%, Ta = 0 to 70°C

Symbol	Parameter	Min	Typ	Max	Units	Notes
Idd	static Supply current			50	μA	1
Ilatch	DC latch-up current	100			mA	2
Iin	Input leakage current			+/-10	μA	3
Vol	Output LOW voltage			0.4	V	4
Voh	Output HIGH voltage	2.4			V	4
Rp	'IP' input pullup resistor	35k		100k	ohm	5
Cin	Input capacitance		5		pF	
ESD	HBM model ESD	2			kV	

Table 28: ARM60 DC Characteristics

Notes:

Voltages measured with respect to VSS.

- (1) All IP inputs at VDD.
- (2) This value represents the current that the input/output pins can tolerate before the chip latches up. As sustained latch-up is catastrophic, this current must never be approached.

## DC Parameters

---

- (3) For  $V_{in} = 0$  to  $V_{DD}$  and only for inputs without pullup resistors.
- (4) When sourcing or sinking the maximum rated output current for the output driver ( 4 or 8mA).
- (5) Only certain inputs have pullup resistors.



## 10.0 AC Parameters

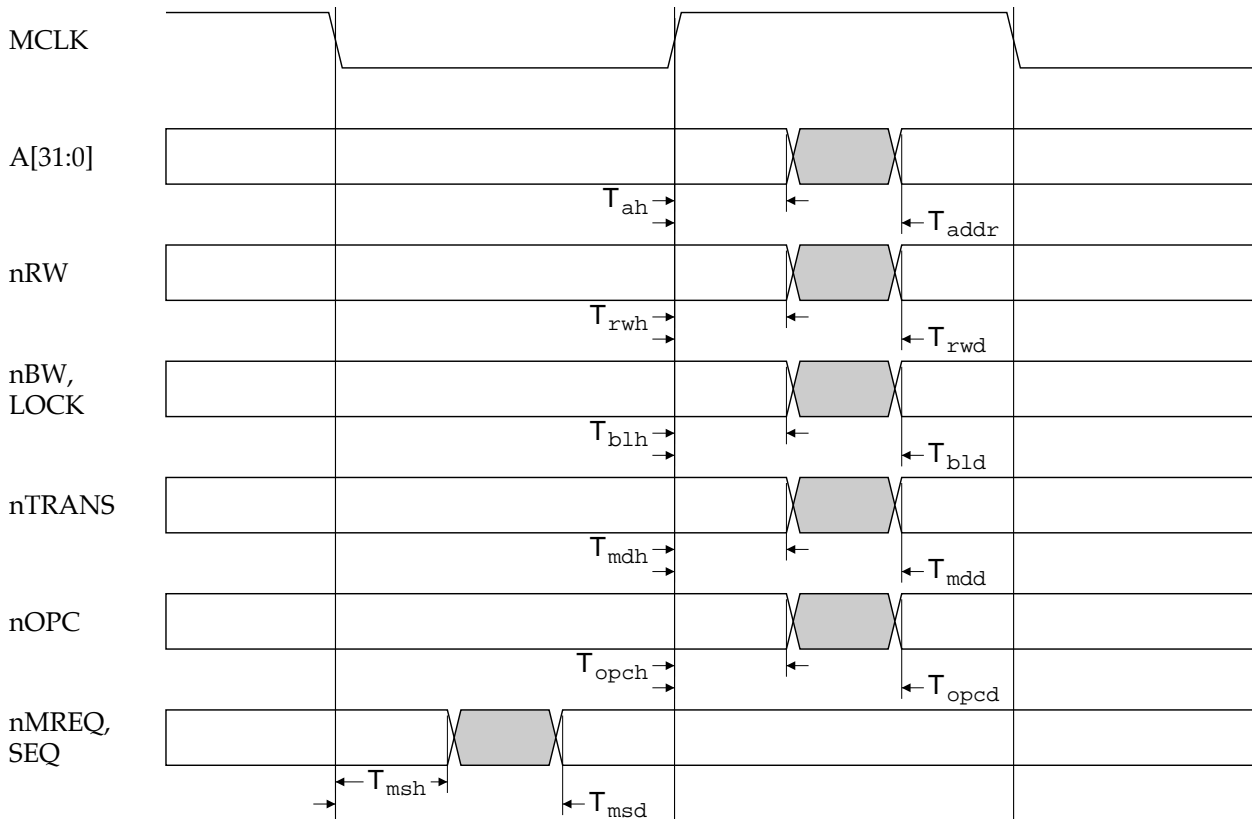
The AC timing diagrams presented in this section assume that the outputs of the ARM60 have been loaded with the capacitive loads shown in the 'Test Load' column of *Table 29: AC Test Loads*. These loads have been chosen as typical of the type of system in which ARM60 might be employed.

The output drivers of the ARM60 are CMOS inverters which exhibit a propagation delay that increases linearly with the increase in load capacitance. An 'Output derating' figure is given for each output driver, showing the approximate rate of increase of output time with increasing load capacitance.

Output Signal	Test Load (pF)	Output derating (ns/pF)
D[31:0]	50	0.072
A[31:0]	50	0.072
LOCK	25	0.072
nCPI	25	0.093
nMREQ	25	0.093
SEQ	25	0.093
nRW	25	0.072
nBW	25	0.072
nOPC	25	0.093
nTRANS	25	0.072
TDO	25	0.072

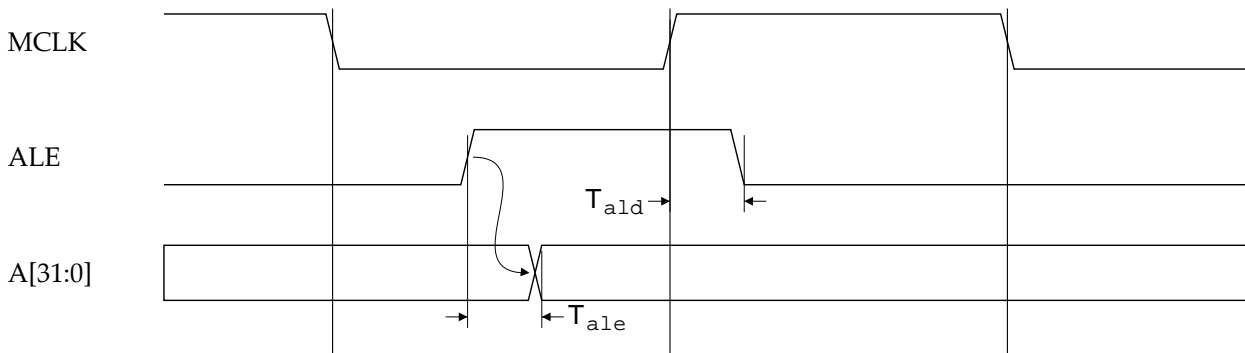
**Table 29: AC Test Loads**

# P60ARM-B



**Figure 37: General Timings**

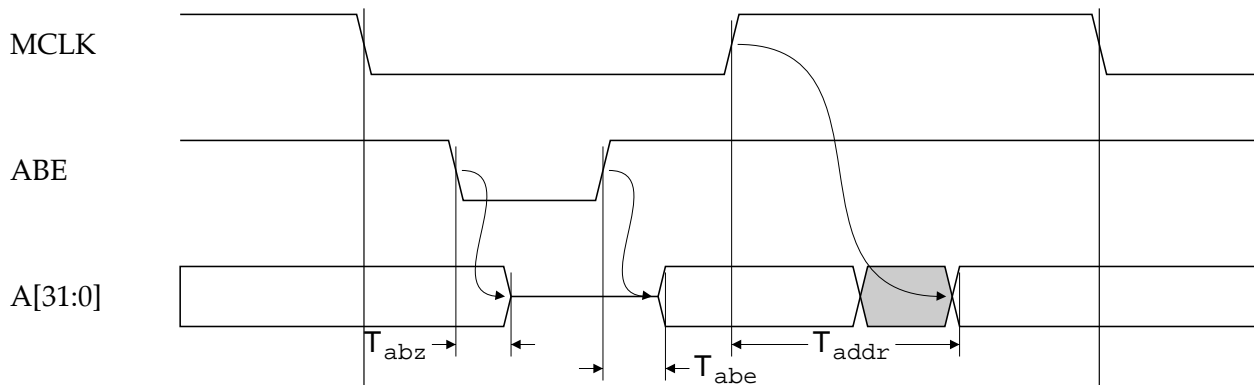
Note: **nWAIT**, **ABE** and **ALE** are all HIGH during the cycle shown.



**Figure 38: Address Timing**

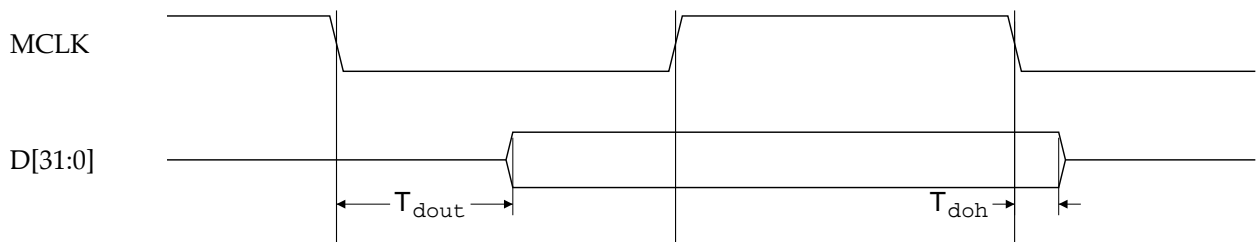
Note:  $T_{ald}$  is the time by which **ALE** must be driven LOW in order to latch the current address in phase 2. If **ALE** is driven low after  $T_{ald}$ , then a new address may be latched. **ABE** is high during the cycle shown.

# AC Parameters



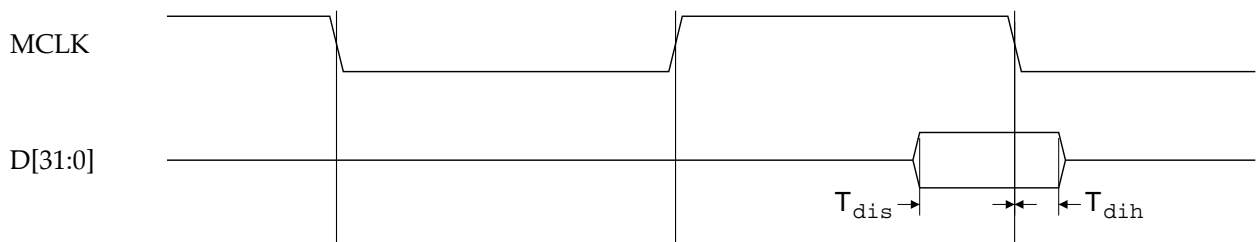
**Figure 39: Address Control**

Note:  $T_{abz}$  is the tristate turn off time,  $T_{abe}$  is the address enable time (turn on), relative to **ABE**. **ALE** is high during the cycle shown.



**Figure 40: Data Write Cycle**

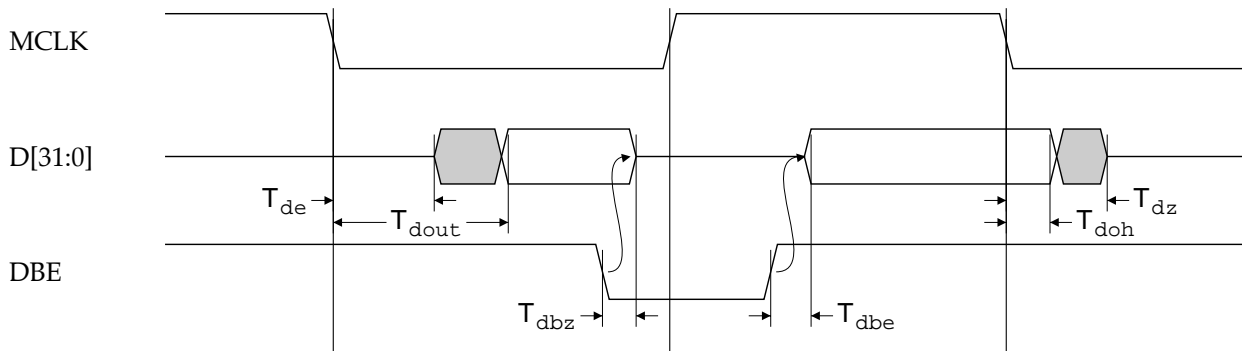
Note: **DBE** is high during the cycle shown.



**Figure 41: Data Read Cycle**

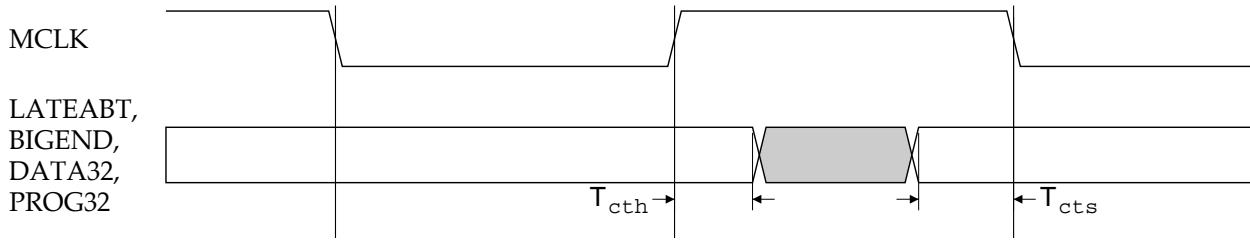
Note: **DBE** is high during the cycle shown.

# P60ARM-B

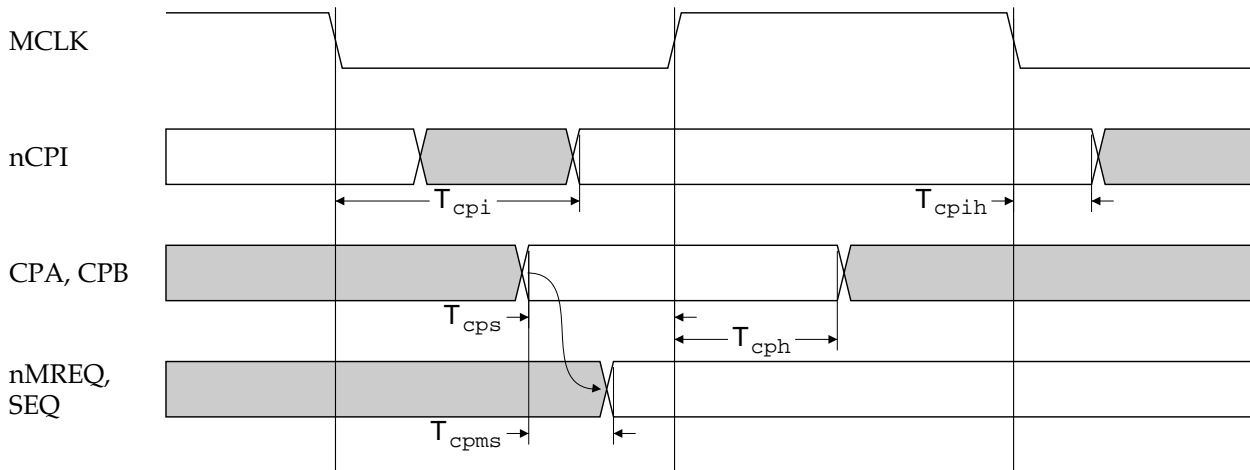


**Figure 42: Data Bus Control**

Note: The cycle shown is a data write cycle. Here, DBE has been used to modify the behaviour of the data bus.



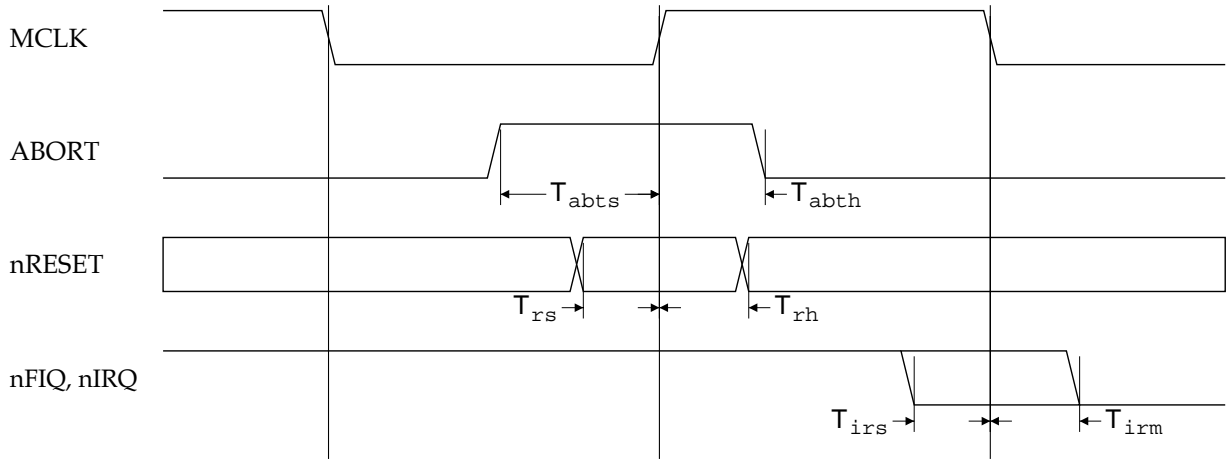
**Figure 43: Configuration Pin Timing**



**Figure 44: Coprocessor Timing**

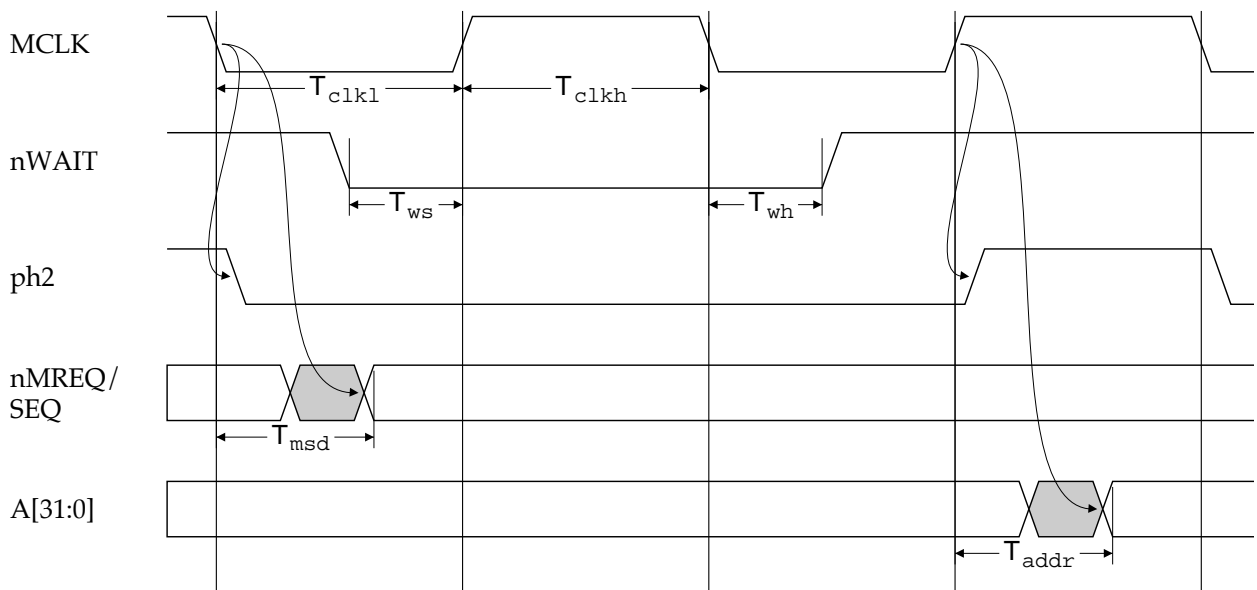
Note: Normally, nMREQ and SEQ become valid Tmsd after the falling edge of MCLK. In this cycle the ARM has been busy-waiting, waiting for a coprocessor to complete the instruction. If CPA and CPB change during phase 1, the timing of nMREQ and SEQ will depend on  $T_{cpms}$ . Most systems should be able to generate CPA and CPB during the previous phase 2, and so the timing of nMREQ and SEQ will always be Tmsd.





**Figure 45: Exception Timing**

Note:  $T_{irs}$ ,  $T_{rs}$  guarantee recognition of the interrupt (or reset) source by the corresponding clock edge.  $T_{irm}$ ,  $T_{rh}$  guarantee non-recognition by that clock edge. These inputs may be applied fully asynchronously where the exact cycle of recognition is unimportant.



**Figure 46: Clock Timing**

Note: The ARM core is not clocked by the HIGH phase of MCLK enveloped by nWAIT. Thus, during the cycles shown, nMREQ and SEQ change once, during the first LOW phase of MCLK, and A[31:0] change once, during the second HIGH phase of MCLK. For reference, ph2 is shown. This is the internal clock from which the core times all its activity. This signal is included to show how the high phase of the external MCLK has been removed from the internal core clock.

# P60ARM-B

Symbol	Parameter	P60ARM*		P60ARM-B	
		Min	Max	Min	Max
Tckl	clock LOW time	23		16	
Tckh	clock HIGH time	23		16	
Tws	nWAIT setup to CKr	3		3	
Twh	nWAIT hold from CKf	3		3	
Tale	address latch open	0	15	0	14
Tald	address latch time		1		1
Taddr	CKr to address valid		22		20
Tah	address hold time	6		5	
Tdbz	Data bus tristate time from DBE	3	12	3	12
Tdbe	Data bus enable time from DBE	3	13	3	13
Tabz	Address bus disable from ABE	3	12	3	12
Tabe	Address bus enable from ABE	3	13	3	13
Tde	Data bus enable from MCLK	10		9	
Tdz	Data bus disable from MCLK		10		10
Tdout	data out delay		28		22
Tdoh	data out hold	3		3	
Tdis	data in setup	3		2	
Tdih	data in hold	6		6	
Tabts	ABORT setup time	5		5	
Tabth	ABORT hold time	3		3	
Trs	RESET Setup time	6		6	
Trh	RESET hold time	6		6	
Tirs	interrupt setup	6		4	
Tirm	Interrupt non-recognition time	6		4	
Trwd	CKr to nRW valid		23		21
Trwh	nRW hold time	3		3	
Tmsd	CKf to nMREQ & SEQ		26		22
Tmsh	nMREQ & SEQ hold time	3		3	
Tbld	CKr to nBW & LOCK		23		21
Tblh	nBW & LOCK hold	3		3	
Tmdd	CKr to nTRANS		23		21
Tmdh	nTRANS hold time	3		3	
Topcd	CKr to nOPC valid		16		16
Topch	nOPC hold time	3		3	
Tcps	CPA, CPB setup	7*		12	
Tcph	CPA,CPB hold time	3		3	
Tcpms	CPA, CPB to nMREQ, SEQ		16		16
Tcpi	CKf to nCPI delay		16		16
Tcpih	nCPI hold time	3		3	
Tets	Config setup time	2		2	
Tcth	Config hold time	2		2	

Table 30: AC Parameters (units of nS)

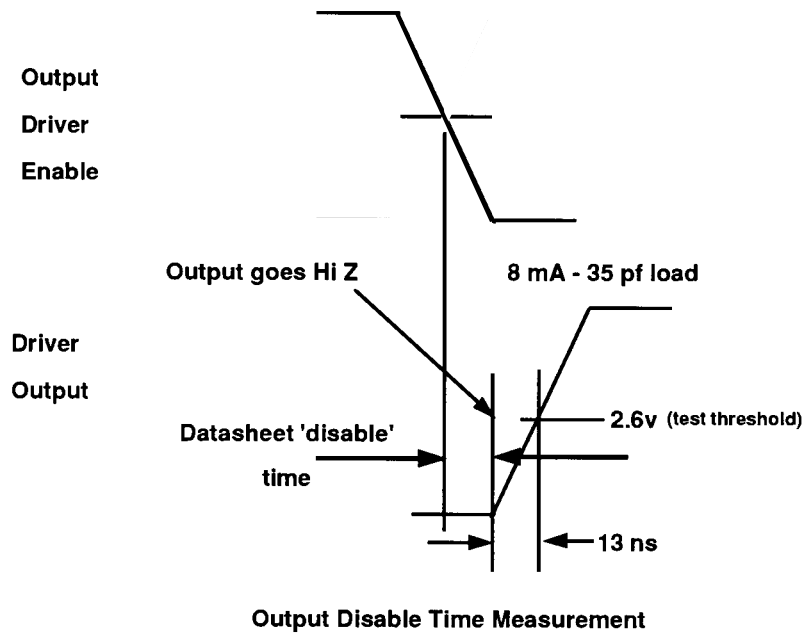
\* **Note:** Table 30 also includes data for the obsolete P60ARM for convenience. Customers replacing the P60ARM by the P60ARM-B should check that timing differences between the two devices will not cause operational problems. Note in particular that  $T_{ah}$  and  $T_{de}$  are marginally less for the -B version. In the case of  $T_{cps}$ , the figure of 7 ns for the P60ARM was incorrect. The correct figure for both processors is 12 ns.

# P60ARM-B

---

## 10.1 Notes on AC Parameters

1. Tristate output times:



2. For a valid RESET, NRESET must remain low for a minimum of two MCLK cycles.

## 11.0 Physical Details

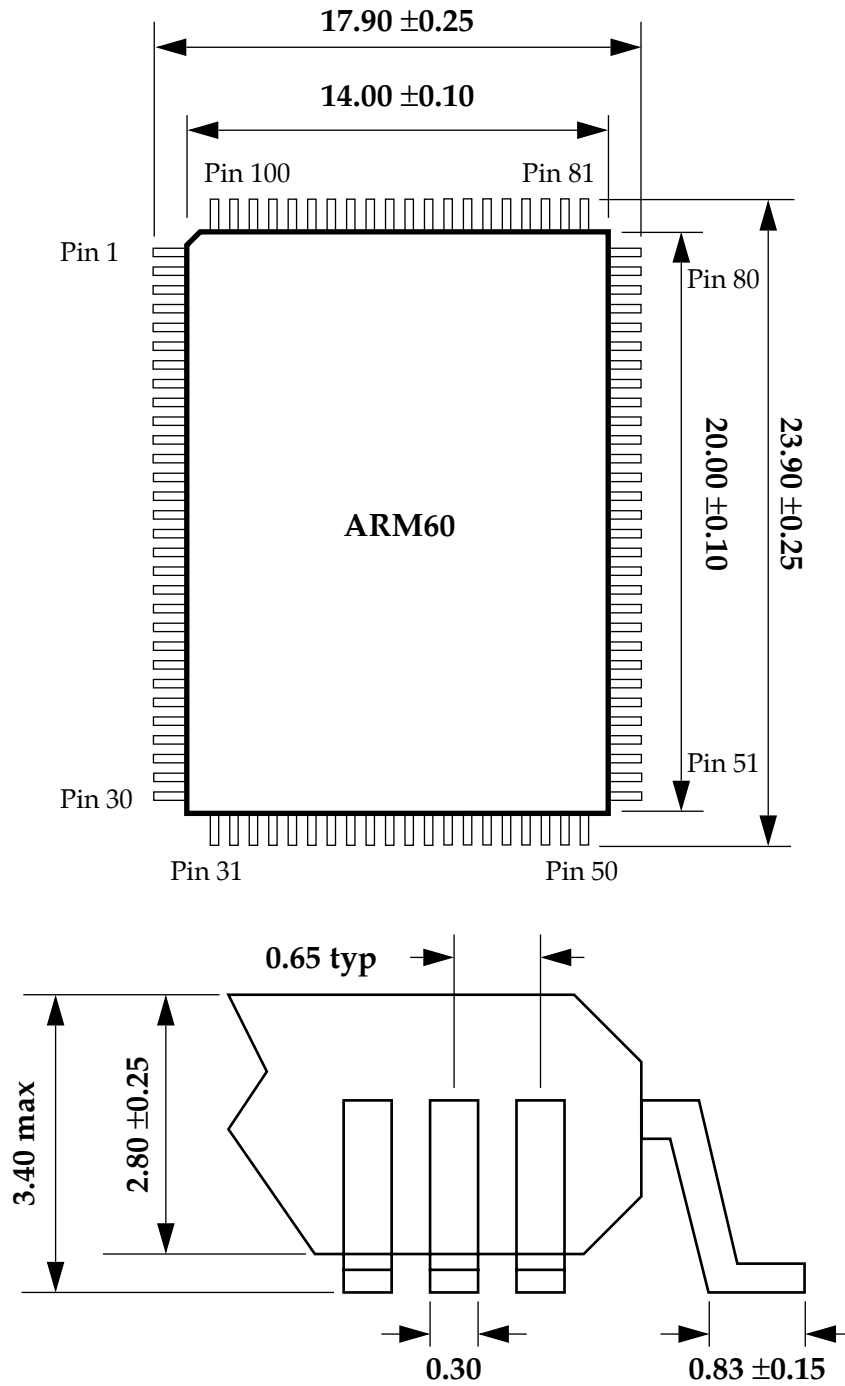


Figure 47: ARM60 100 Pin Metric Plastic QFP Mechanical Dimensions in mm



## 12.0 Pinout

Pin	Signal	Type
1	D[27]	i/o
2	D[28]	i/o
3	D[29]	i/o
4	D[30]	i/o
5	D[31]	i/o
6	CPA	i
7	Vss	-
8	Vdd	-
9	LOCK	o
10	BIGEND	i
11	nCPI	o
12	DBE	i
13	nBW	o
14	MCLK	i
15	nWAIT	i
16	LATEABT	i
17	PROG32	i
18	DATA32	i
19	nRW	o
20	nOPC	o
21	nMREQ	o
22	SEQ	o
23	ABORT	i
24	nIRQ	i
25	nFIQ	i
26	nRESET	i
27	ALE	i
28	CPB	i
29	nTRANS	o
30	A[31]	o
31	A[30]	o
32	A[29]	o
33	A[28]	o
34	A[27]	o
35	A[26]	o
36	A[25]	o
37	A[24]	o
38	A[23]	o
39	A[22]	o
40	A[21]	o

Pin	Signal	Type
41	A[20]	o
42	A[19]	o
43	A[18]	o
44	A[17]	o
45	A[16]	o
46	A[15]	o
47	A[14]	o
48	A[13]	o
49	A[12]	o
50	A[11]	o
51	Vdd	-
52	Vss	-
53	A[10]	o
54	A[9]	o
55	A[8]	o
56	A[7]	o
57	A[6]	o
58	A[5]	o
59	A[4]	o
60	A[3]	o
61	A[2]	o
62	A[1]	o
63	A[0]	o
64	Vss	-
65	Vdd	-
66	ABE	i
67	TCK	i
68	TMS	i
69	nTRST	i
70	TDI	i
71	TDO	o
72	D[0]	i/o
73	D[1]	i/o
74	D[2]	i/o
75	D[3]	i/o
76	D[4]	i/o
77	D[5]	i/o
78	D[6]	i/o
79	D[7]	i/o
80	Vss	-

Pin	Signal	Type
81	Vdd	-
82	D[8]	i/o
83	D[9]	i/o
84	D[10]	i/o
85	D[11]	i/o
86	D[12]	i/o
87	D[13]	i/o
88	D[14]	i/o
89	D[15]	i/o
90	D[16]	i/o
91	D[17]	i/o
92	D[18]	i/o
93	D[19]	i/o
94	D[20]	i/o
95	D[21]	i/o
96	D[22]	i/o
97	D[23]	i/o
98	D[24]	i/o
99	D[25]	i/o
100	D[26]	i/o

Table 31: Pinout - ARM60 100 pin Plastic Quad Flat Pack



**For more information about all Zarlink products  
visit our Web Site at  
[www.zarlink.com](http://www.zarlink.com)**

Information relating to products and services furnished herein by Zarlink Semiconductor Inc. trading as Zarlink Semiconductor or its subsidiaries (collectively "Zarlink") is believed to be reliable. However, Zarlink assumes no liability for errors that may appear in this publication, or for liability otherwise arising from the application or use of any such information, product or service or for any infringement of patents or other intellectual property rights owned by third parties which may result from such application or use. Neither the supply of such information or purchase of product or service conveys any license, either express or implied, under patents or other intellectual property rights owned by Zarlink or licensed from third parties by Zarlink, whatsoever. Purchasers of products are also hereby notified that the use of product in certain ways or in combination with Zarlink, or non-Zarlink furnished goods or services may infringe patents or other intellectual property rights owned by Zarlink.

This publication is issued to provide information only and (unless agreed by Zarlink in writing) may not be used, applied or reproduced for any purpose nor form part of any order or contract nor to be regarded as a representation relating to the products or services concerned. The products, their specifications, services and other information appearing in this publication are subject to change by Zarlink without notice. No warranty or guarantee express or implied is made regarding the capability, performance or suitability of any product or service. Information concerning possible methods of use is provided as a guide only and does not constitute any guarantee that such methods of use will be satisfactory in a specific piece of equipment. It is the user's responsibility to fully determine the performance and suitability of any equipment using such information and to ensure that any publication or data used is up to date and has not been superseded. Manufacturing does not necessarily include testing of all functions or parameters. These products are not suitable for use in any medical products whose failure to perform may result in significant injury or death to the user. All products and materials are sold and services provided subject to Zarlink's conditions of sale which are available on request.

Purchase of Zarlink's I<sup>2</sup>C components conveys a licence under the Philips I<sup>2</sup>C Patent rights to use these components in an I<sup>2</sup>C System, provided that the system conforms to the I<sup>2</sup>C Standard Specification as defined by Philips.

Zarlink and the Zarlink Semiconductor logo are trademarks of Zarlink Semiconductor Inc.

Copyright 2002, Zarlink Semiconductor Inc. All Rights Reserved.

**TECHNICAL DOCUMENTATION - NOT FOR RESALE**

---