

# DO-35 Standard Zener Diodes (500 mW)



**Electrical Characteristics (At Ta=25°C, Unless Otherwise Specified)**

Type No.	V <sub>ZT</sub> at I <sub>ZT</sub>			r <sub>ZT</sub> at I <sub>ZT</sub> max (Ohm)	I <sub>ZT</sub> (mA)	r <sub>ZK</sub> at I <sub>ZK</sub>		I <sub>ZK</sub> (mA)	Temp. Coeff. of Zener Voltage typ (%/°C)	I <sub>R</sub> at V <sub>R</sub> Ta 25°C max (µA)	V <sub>R</sub> max (V)	I <sub>ZM</sub> (mA)	I <sub>ZSM</sub> (mA)	P <sub>D</sub> (W)	V <sub>F</sub> @ I <sub>F</sub>	
	min	nom (V)	max			max (Ohm)	max (mA)								(V)	(mA)
CTZ2V6	2.6			30	20	600	1		+0.085	75	1	174.8		0.5	1.5	200
CTZ2V7	2.7			30	20	600	1		+0.085	75	1	168.3		0.5	1.5	200
CTZ3V0	3			48	20	600	1		-0.066	20	1	148.5	1500	0.5	1.1	200
CTZ3V3	3.3			44	20	600	1		-0.066	10	1	135	1375	0.5	1.1	200
CTZ3V6	3.6			42	20	600	1		-0.065	5	1	126	1260	0.5	1.1	200
CTZ3V9	3.9			40	20	600	1		-0.05	5	1	115	1165	0.5	1.1	200
CTZ4V3	4.3			36	20	600	1		-0.04	0.5	1	105	1060	0.5	1.1	200
CTZ4V7	4.7			32	20	600	1		-0.02	10	2	95	965	0.5	1.1	200
CTZ5V1	5.1			28	20	550	1		-0.01	5	2	87	890	0.5	1.1	200
CTZ5V6	5.6			16	20	450	1		+0.008	10	3	80	810	0.5	1.1	200
CTZ6V2	6.2			6	20	200	1		-0.025	10	4	72	730	0.5	1.1	200
CTZ6V8	6.8			6	20	150	1		-0.035	5	5	65	665	0.5	1.1	200
CTZ7V5	7.5			8	10	50	1		+0.045	1	6	60	605	0.5	1.1	200
CTZ8V2	8.2			10	10	50	1		+0.055	0.5	7	55	555	0.5	1.1	200
CTZ9V1	9.1			12	10	50	1		+0.06	0.1	7	49	500	0.5	1.1	200
CTZ10	10			14	10	70	1		+0.08	0.1	8	45	455	0.5	1.1	200
CTZ11	11			15	10	700	0.25		+0.065	0.1	9	41	410	0.5	1.1	200
CTZ12	12			19	10	700	0.25		+0.07	0.1	10	37	380	0.5	1.1	200
CTZ13	13			23	5	700	0.25		+0.075	0.1	11	35	350	0.5	1.1	200
CTZ15	15			27	5	700	0.25		+0.08	0.1	13	30	300	0.5	1.1	200
CTZ16	16			31	5	700	0.25		+0.085	0.1	14	28	285	0.5	1.1	200
CTZ18	18			35	5	750	0.25		+0.09	0.1	16	25	250	0.5	1.1	200
CTZ20	20			39	5	750	0.25		+0.1	0.1	18	22	225	0.5	1.1	200
CTZ22	22			67	5	750	0.25		+0.12	0.1	19	20	205	0.5	1.1	200
CTZ24	24			75	5	750	0.25		+0.12	0.1	20	18.6	190	0.5	1.1	200
CTZ27	27			77	5	750	0.25		+0.12	0.1	22	16.5	170	0.5	1.1	200
CTZ30	30			93	5	1000	0.25		+0.12	0.1	24	15	150	0.5	1.1	200
CTZ33	33			96	5	1000	0.25		+0.12	0.1	26	13.5	135	0.5	1.1	200

Electrical Characteristics (At Ta=25°C, Unless Otherwise Specified)

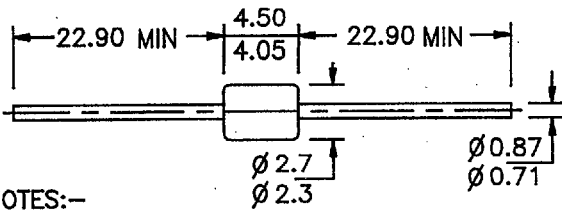
Type No.	V <sub>ZT</sub> at I <sub>ZT</sub>			r <sub>ZT</sub> at I <sub>ZT</sub>	I <sub>ZT</sub>	r <sub>ZK</sub> at I <sub>ZK</sub>	I <sub>ZK</sub>	Temp. Coeff. of Zener Voltage typ (%/°C)	I <sub>R</sub> at V <sub>R</sub> Ta 25°C max (μA)	V <sub>R</sub> max (V)	I <sub>ZM</sub> (mA)	I <sub>ZSM</sub> (mA)	P <sub>D</sub> (W)	V <sub>F</sub> @ I <sub>F</sub>	
	min	nom	max	max (Ohm)	(mA)	max (Ohm)	(mA)		(V)	(mA)	(V)	(mA)			
CTZ36	36			146	5	1000	0.25	+0.12	0.1	28	12.4	125	0.5	1.1	200
CTZ39	39			192	5	1000	0.25	+0.12	0.1	30	11.4	115	0.5	1.1	200
CTZ43	43			246	5	1500	0.25	+0.12	0.1	35	10.4	105	0.5	1.1	200
CTZ47	47			286	5	1500	0.25	+0.12	0.1	42	9.5	95	0.5	1.1	200

NOTE: No Suffix = ±10% Tolerance, Suffix "A" = ±5% Tolerance

# DO-35/DO-41 Taping and Packing

CDIL

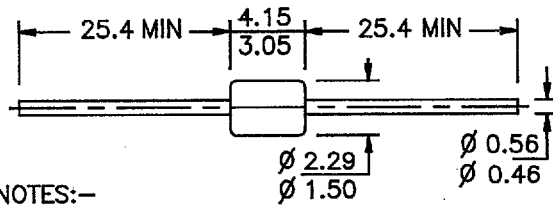
## DO-41 GLASS PACKAGE



NOTES:-

1. CATHODE IS MARKED BY BAND.
2. ALL DIMENSIONS IN M.M.

## DO-35 GLASS PACKAGE

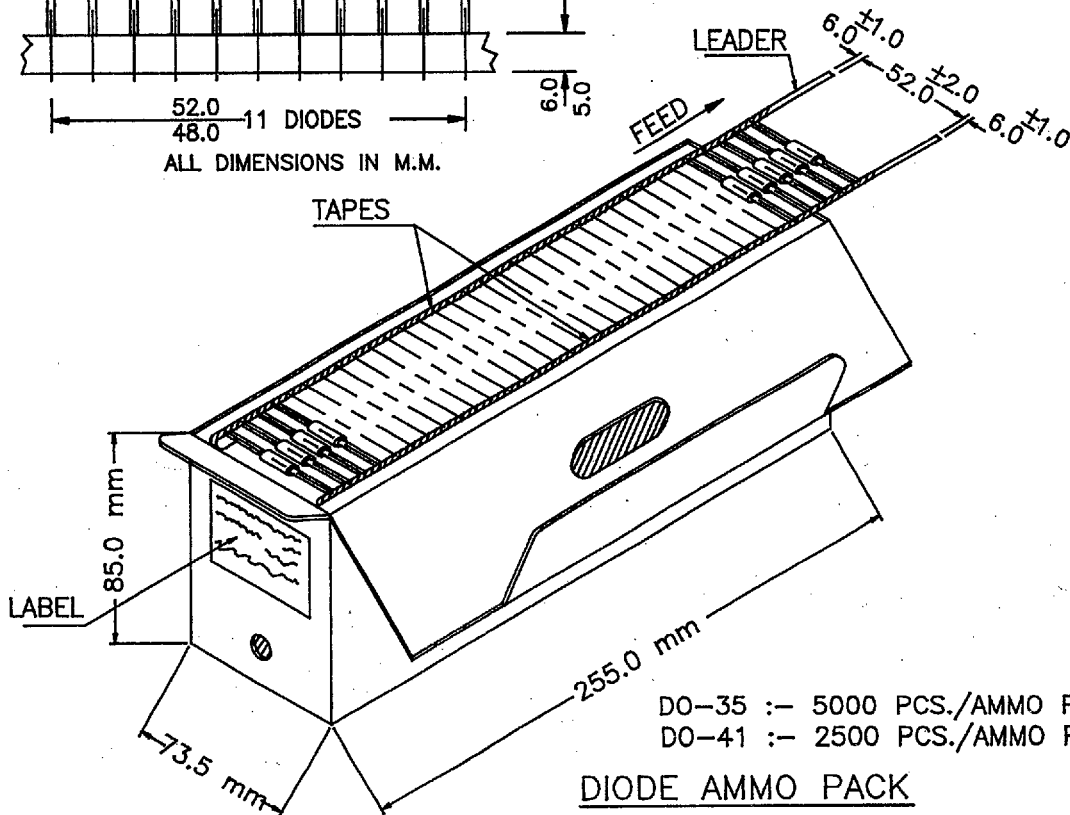
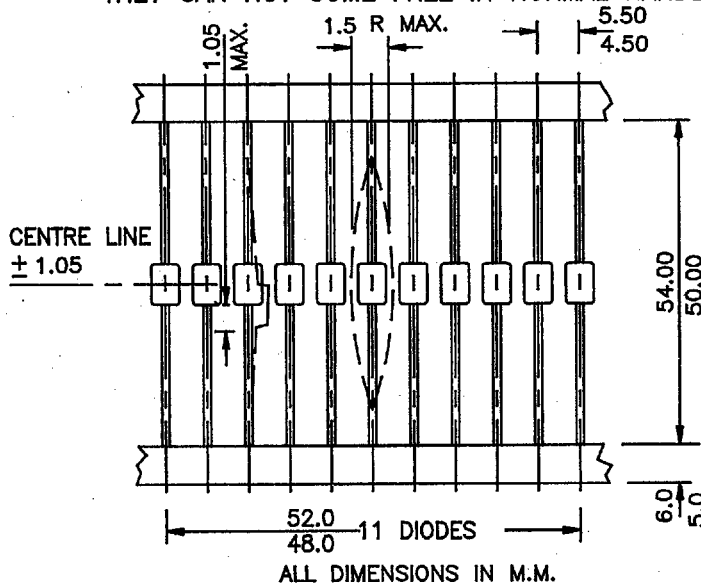


NOTES:-

1. CATHODE IS MARKED BY BAND.
2. ALL DIMENSIONS IN M.M.

## DO-35/DO-41 TAPING SPECIFICATION

- 1) T & A INDICATES AXIAL TAPE & AMMO PACKING (52 mm TAPE SPACING)
- 2) 300 mm (MIN) LEADER TAPE ON EVERY SPOOL.
- 3) No. OF EMPTY PLACES ALLOWED 0.25% WITHOUT CONSECUTIVE EMPTY PLACES.
- 4) ENDS OF LEADS SHALL PREFERABLY NOT PROTRUDE BEYOND THE TAPES.
- 5) COMPONENTS SHALL BE HELD SUFFICIENTLY IN THE TAPE OR TAPES SO THAT THEY CAN NOT COME FREE IN NORMAL HANDLING.



DO-35 :- 5000 PCS./AMMO PACK  
DO-41 :- 2500 PCS./AMMO PACK

DIODE AMMO PACK