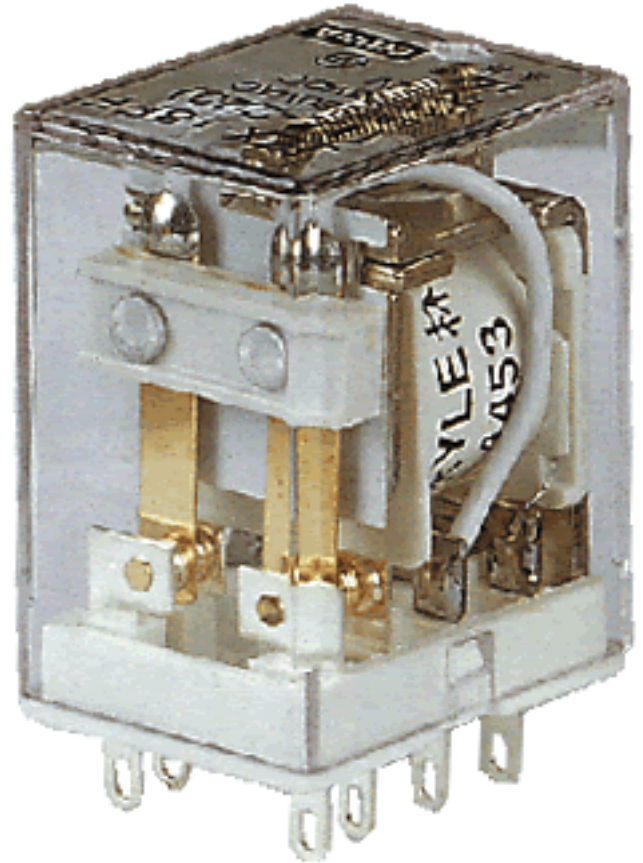


**YL-440-2(HH52P) Electromechanical Relays with ISO9001 Certification  $\mu$ UL: E233840****Key Specifications/Special Features:****Characteristics:**

|                             |   |
|-----------------------------|---|
| Contact arrangement:        | 2C, 2A  |
| Contact material:           | AgCdO   |
| Contact rating (resistive): | 2C, 3C: 5A/220VAC, 30VDC<br>Heavy load: 7A/220VAC, 30VDC  |
| 4C:                         | 3A/220VAC, 30VDC<br>Heavy load: 5A/220VAC, 30VDC  |
| Contact resistance:         | 50m   |
| Max. switching power:       | 1250VA, 150W  |
| Max. switching voltage:     | 150VDC, 380VAC  |
| Operate time:               | 15ms max.   |
| Release time:               | 8ms max.  |
| Insulation resistance:      | 1000M ohm min. (at 500V DC)   |
| Dielectric strength:        | Between contacts 1000V, 50Hz<br>Between contact and coil: 1500V, 50Hz   |
| Shock operational:          | 10G   |
| Vibration operational:      | 1.5mm double amplitude 10 to 50Hz   |
| Ambient temperature:        | -55 to 55 deg. C  |
| Operating life:             | Mechanical 20,000,000 times;<br>10,000,000 times (heavy load)<br>Electrical 100,000 (at DC load and heavy load); 200,000 (5A/220VAC); 500,000 (3A/220VAC) |
| Weight:                     | 37g approx.   |
| Size (L x W x H mm):        | 28 x 21.5 x 35  |

**Coil data:**

|  |  |
|--|--|
| Coil power consumption:                                  | AC/1.2VA<br>DC/0.9W  |
| Rated voltage (VDC):                                     | AC/6, 12, 24, 36, 48, 110,120, 220<br>DC/6, 12, 24, 36, 48, 110  |
| Coil resistance (ohm +/- 10%):                           | AC/11.5, 46.0, 180.0, 370.0, 735.0, 3750.0,<br>4430.0, 12950.0<br>DC/40, 160, 650, 1500, 2600, 11000                               |
| Rated current (mA):                                      | AC/183, 91, 46, 33, 24, 11, 9.2, 4.2<br>DC/150, 75, 36.9, 24.5, 18.5, 10   |
| Must operate voltage ( VDC max.) (80% of rated voltage): | AC/4.8, 9.6, 19.2, 28.8, 38.4, 88, 96, 176<br>DC/4.8, 9.6, 19.2, 28.8, 38.4, 88  |
| Must release voltage (V min.):                           | AC (30% of rated voltage): 1.8, 3.6, 7.2,<br>10.8, 14.4, 33, 36, 66<br>DC (10% of rated voltage): 0.6, 1.2, 2.4, 3.6,<br>4.8, 11.0 |
| Maximum voltage (V):                                     | 110 % of rated voltage   |

### Primary Competitive Advantages:

Price ,Service, Prompt Delivery

### Main Export Markets:

Worldwide

### Payment Details:

Payment Terms: L/C or T/T

### Delivery Details:

FOB Port: Ningbo

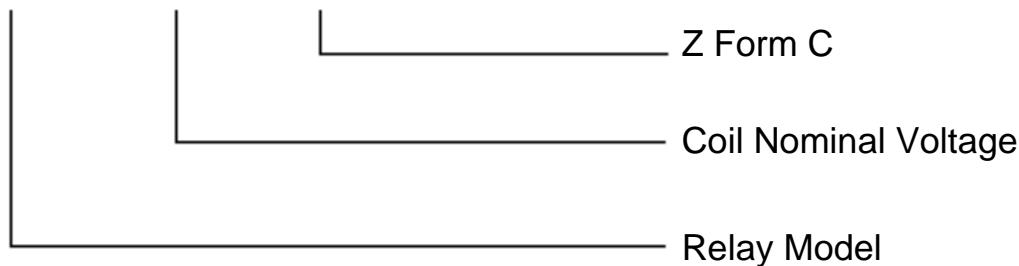
Lead Time: 20 days

### Safety/Quality Approvals Details:

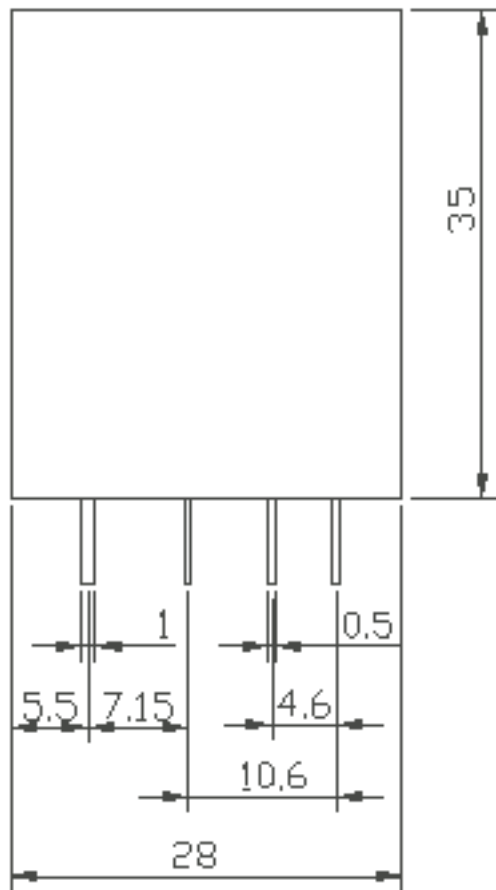
ISO9001

### ORDERING CODE

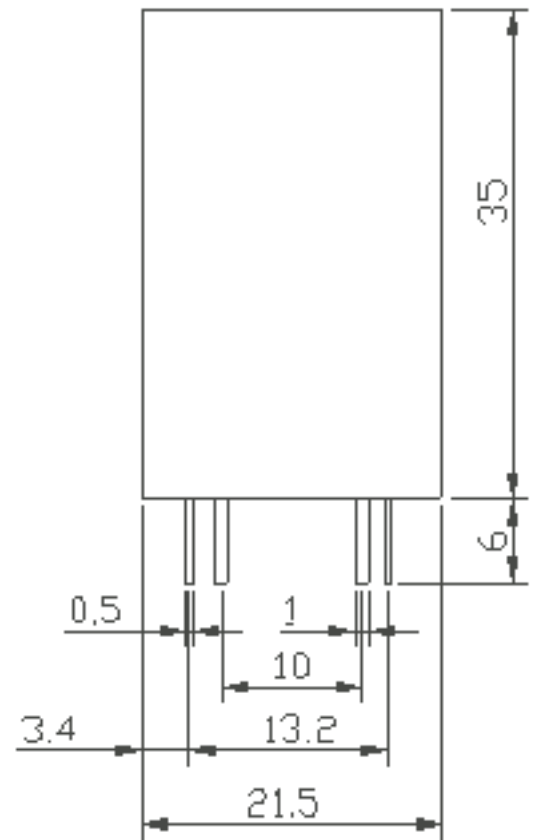
YL-220 12VDS<sub>i</sub><sup>a</sup>Z



## OVERALL AND MOUNTING DIMENSIONS



安装图



接线图

